

# Temporary Area Work Light

08-00465

19,500 Lumen (150W)

## FEATURES

- Powerful SMD LED Brightness
- 130 Lumen Per Watt
- 6,000 Volt Surge Protection
- LED Life Span of 50,000 hours
- 360 Degree Superior Lighting with Protective Metal Guard
- Carabiner Hook with Secure Setting
- Air-Flow Heat Sink Design For Better Heat Dissipation
- Suitable for Covered Damp Locations

## SPECIFICATIONS

- 19,500 Lumen/150 Watt
- SMD LED
- 5-15 Female Receptacle to Connect Additional Lights
- 5-15 Plug
- 5000 Kelvin Color Temperature
- LED Driver Capable of 120/208/240/277 Volt, 50-60Hz
- 6 foot, 16/3 SJTW Power Cord
- 360 Degree Protective Stainless Steel Guard
- Yellow
- cETLus Listed

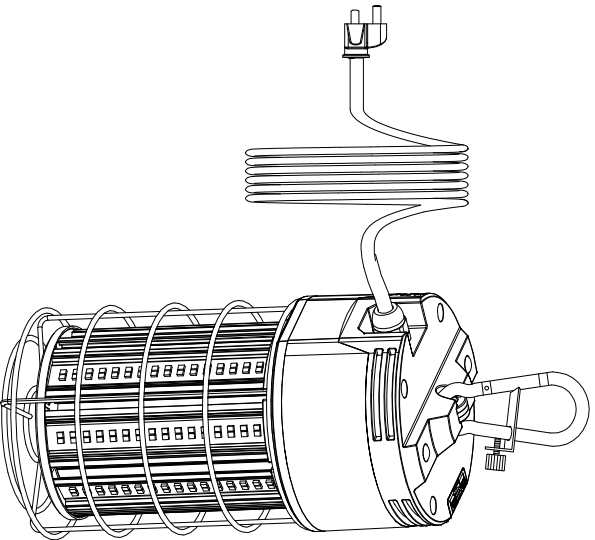
## PACK QUANTITY/UPC

- Pack Quantity = 2
- UPC# 8-03058-01465-0



# LED Temporary Work Lamp

**08-00464 & 08-00465**



<http://www.voltec-industries.com/>

## BASIC INFO

Model	Power	Voltage	Lumen	Location
08-00464	100W	AC 120V	13000lm	Suitable for Damp Location
08-00465	150W	AC 120V	19500lm	

1. The driver of this work light can be worked at 120-277V. But the usage only under AC 120V meet the UL/ETL product certification standard.

2. Any modified conversion to these luminaires will immediately void the warranty

Application:  
Suitable for construction sites or any other location requiring a temporary work lamp.

## CAUTION!!

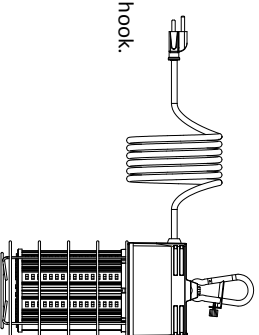
- Make sure the distances between live part and metal part of the device can satisfy reinforce or double insulation.
- Before installation and maintenance of the device, please disconnect the power to prevent electric shock.
- The LED temporary work light must be installed in an appropriate environment, operating in harsh environments may shorten the lifespan or even damage the device.
- Please keep the device away from any corrosive substance, clean with dry cloth only.
- To ensure personal safety, please make sure the device is staying firmly and securely when install on high places.

## INSTALLATION INSTRUCTIONS

**Warning:** Please check and make sure there is no sign of physical damage to the product when unpacking. Do not use damaged product.

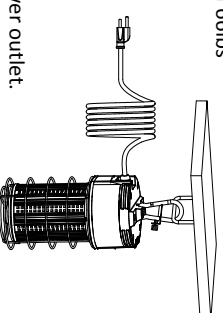
### Step 1

Checking the carabiner hook.



### Step 2

Ensure the installation spot is strong enough to bear a minimum of 66lbs of weight.

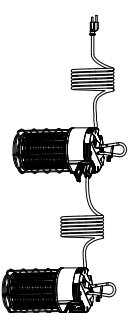


### Step 3

Plug the power cord to a power outlet. Turn on the device and see if the device is operating accordingly.

## LINKABLE

**Products use 16/3 cable**



- 100W - Use only with this product. Connect up to 8pcs
- 150W - Use only with this product. Connect up to 6pcs