

# Temporary Area LED Lighting

08-00410

9,750 Lumen (75W)



## FEATURES

- 130 Lumen Per Watt
- Built-In 5-15 Receptacle
- Powerful SMD LED
- 6,000 Volt Surge Protection
- LED Life Span of 50,000 hours
- Heavy Duty Metal Hook with Inset Fitting
- Corrosion Resistant Powder Coated Metal Guard
- Suitable for Covered Damp Locations

## SPECIFICATIONS

- 9,750 Lumen/75 Watt
- 130 Lument Per Watt
- SMD LED
- 5-15 Female Receptacle to connect additional lights
- 5-15 Plug
- 5000 Kelvin Color Temperature
- LED Driver Capable of 120/208/240/277 Volt, 50-60Hz
- 5 foot, 16/3 SJTW Power Cord
- Stainless Steel Guard
- Yellow
- Suitable for Covered Damp Locations
- cETLus Listed

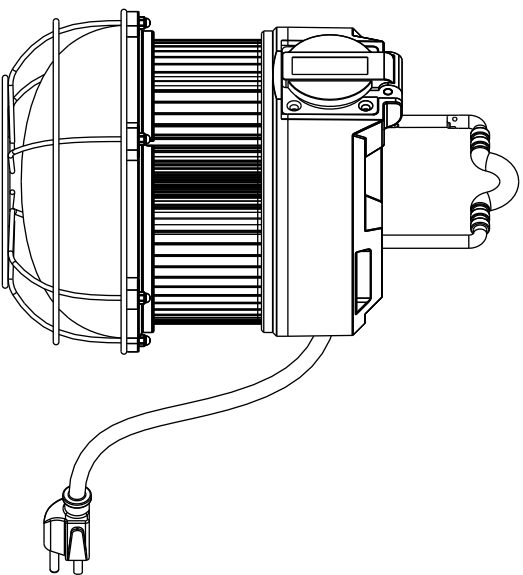
## PACK QUANTITY/UPC

- Pack Quantity = 2
- UPC# 8-03058-00410-1



# LED Area Work Light

## 08-00410



<http://www.voltec-industries.com/>

### BASIC INFO

Power	Voltage	Lumen	Suitable for Damp Locations
75W	AC 120V	9750lm	

Application :  
 Suitable for construction sites or any other locations requiring a temporary work lamp.

### CAUTION !!

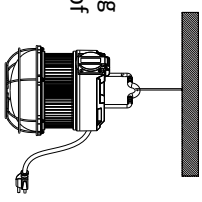
- Make sure the distances between live part and metal part of the device can satisfy reinforce or double insulation.
- Before installation and maintenance of the device, please disconnect the power to prevent electric shock.
- The LED temporary work light must be installed in an appropriate environment, operating in harsh environments may shorten the lifespan or even damage the device.
- Please keep the device away from any corrosive substance, clean with dry cloth only.
- To ensure personal safety, please make sure the device is staying firmly and securely when install on high places.

### INSTALLATION INSTRUCTIONS

**Warning:** Please check and make sure there is no sign of physical damage to the product when unpacking. Do not use damaged product.

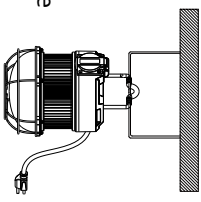
#### Step 1

Ensure the installation spot is strong enough to bear a minimum of 66lbs of weight.



#### Step 2

Plug the power cord to a power outlet. Turn on the device and see if the device is operating accordingly.



### LINKABLE

**Products use 16/3 cable**

75W - Use only with this product. Connect up to 12 pcs



**08-00410**  
**75W 9750lm**



Build-in Receptacle



Milky Cover



Hook

## • Product Information

Item NO	Lumen	Watt	Volts	CCT	CRI	PF	Life (L70)	Working Temperature
08-00410	9,750	75W	120VAC	5000K	80+	>0.9	50,000Hrs	-40-40 °C / -40-104 °F
Item NO	Beam Angle	Cables	Surge Protection	Pack Quantity	Dimension			
08-00410	120 degree	5ft	6KV	2pcs/ctn	φ180*H210mm / φ7.01*H8.27in			

- LPW is Lumen Per Watt
- CCT (Kelvin) is the correlated color temperature
- CRI (Color Rendering Index) is the ability to represent the original color of a substance
- PF (Power Factor) is the ratio of the actual power consumed to the power supply capacity
- Life (L70) is service life of LED chips

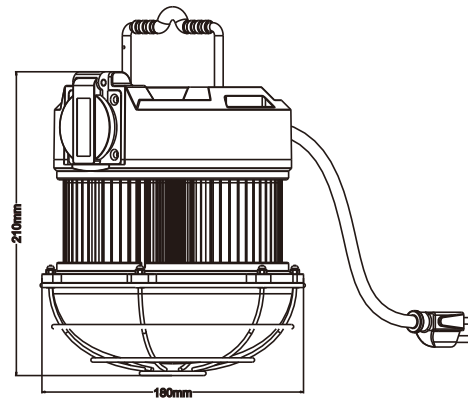
**LIMITED WARRANTY**



P.S. 1. The driver of this work light can be worked at 120-277V. It can be used at other voltage instead of 120V only by removing the 5-15P, but this usage "will not" meet the UL/ETL product certification standard.

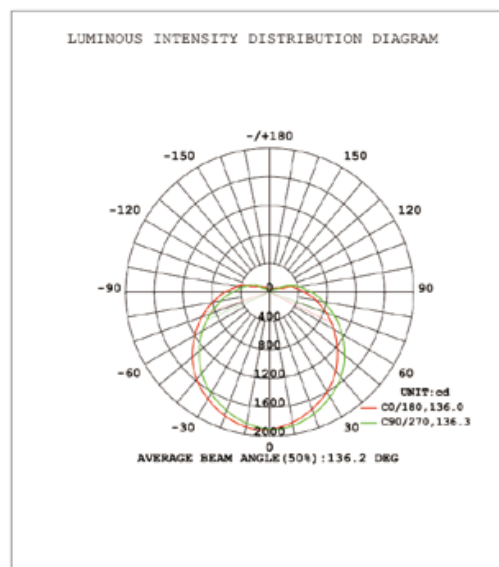
2. Any modified conversion to these luminaires will immediately void the warranty

## · Dimension



08-00410  
75W 9,750 lm

## · Photometry



Voltec Power & Lighting  
<https://www.voltec-industries.com/>



**VOLTEC POWER & LIGHTING**  
3230 E Imperial Hwy #218  
Brea, CA 92821  
909.606.1991

Fax: 909.606.0281  
Email: [customerservice@voltec-industries.com](mailto:customerservice@voltec-industries.com)  
Web: [www.voltec-industries.com](http://www.voltec-industries.com)