

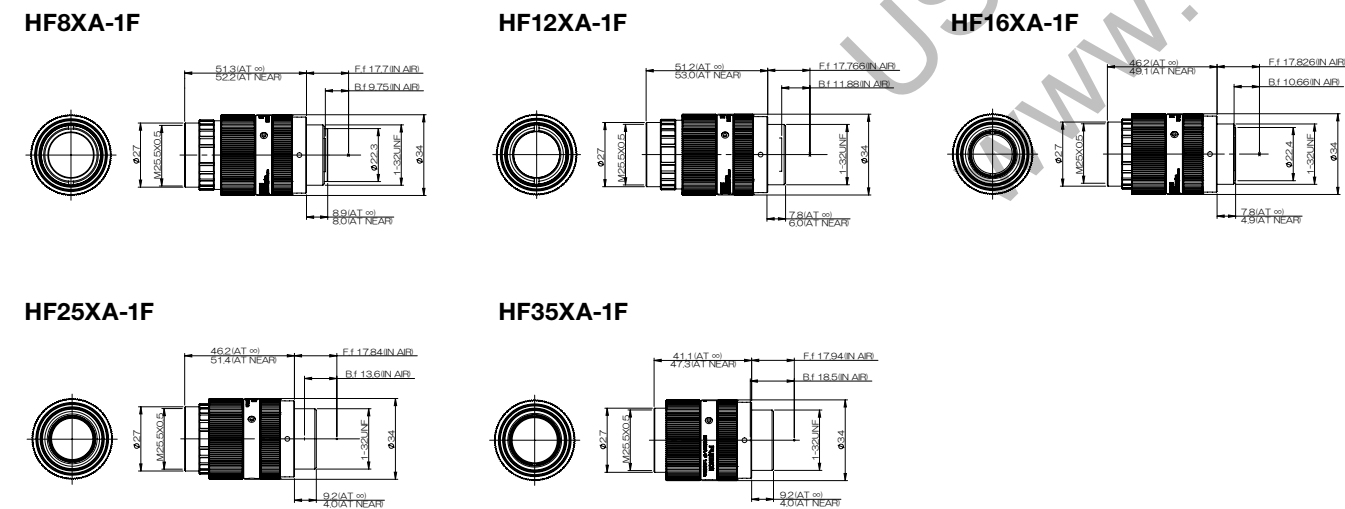
# HF-XA-1F series, 2/3"-1/1.2", 3.45μm, 5MP



- Compact design



	Anti Shock & Vibration HF8XA-1F	Anti Shock & Vibration HF12XA-1F	Anti Shock & Vibration HF16XA-1F	Anti Shock & Vibration HF25XA-1F	Anti Shock & Vibration HF35XA-1F
Focal length [mm]	8	12	16	25	35
Iris range [F. no]	F1.6, F4, F8 (Selection)	F1.6, F4, F8 (Selection)	F1.6, F4, F8 (Selection)	F1.6, F4.6, F9.2 (Selection)	F1.9, F5.2, F10.4 (Selection)
Angle of view : 2/3"	58.4°x44.6°	40.1°x30.3°	31.4°x23.7°	20.0°x15.0°	14.2°x10.7°
Working Distance*1 [mm]	∞-100	∞-100	∞-100	∞-100	∞-200
Operation of focus	Fixed	Fixed	Fixed	Fixed	Fixed
Operation of iris	Fixed	Fixed	Fixed	Fixed	Fixed
Filter thread [mm]	M25.5 x 0.5	M25.5 x 0.5	M25.5 x 0.5	M25.5 x 0.5	M25.5 x 0.5
Mount	C-mount	C-mount	C-mount	C-mount	C-mount
Weight (approx.) [g]	97	99	94	87	75
Sensor size (std.)*2	2/3"(3.45μm)	2/3"(3.45μm)	2/3"(3.45μm)	2/3"(3.45μm)	2/3"(3.45μm)
Sensor size (max.)*3	2/3"(3.45μm)	1/1.2"(4.5μm)	1/1.2"(4.5μm)	1/1.2"(4.5μm)	1/1.2"(4.5μm)
TV distortion [%]	-1.99	-1.26	-0.60	-0.07	0.10
Dimension [mm]	ø34x60.2	ø34x58.7	ø34x54.0	ø34x55.4	ø34x50.3



# HF-HA-1S series, 1/2"-2/3", 6.2μm, 1.5MP

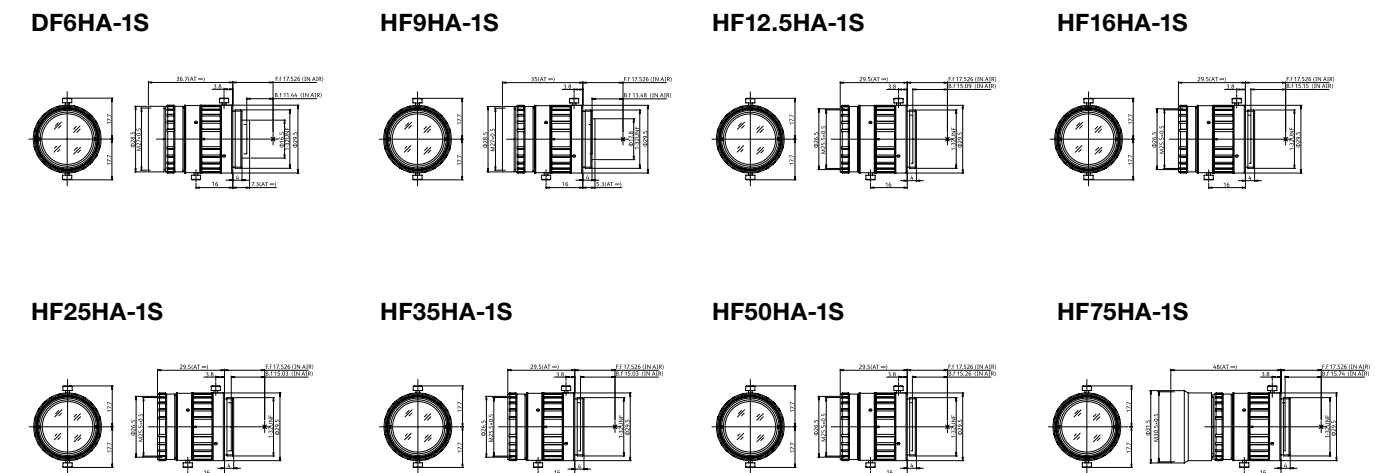


- Wide range of focal lengths with 8 models
- Compact design with an external diameter of 29.5mm\*
- Large maximum aperture
- Short Minimum Object Distance

\* HF75HA-1S has a diameter of 31.5mm



	Anti Shock & Vibration DF6HA-1S	Anti Shock & Vibration HF9HA-1S	Anti Shock & Vibration HF12.5HA-1S	Anti Shock & Vibration HF16HA-1S	Anti Shock & Vibration HF25HA-1S	Anti Shock & Vibration HF35HA-1S	Anti Shock & Vibration HF50HA-1S	Anti Shock & Vibration HF75HA-1S
Focal length [mm]	6	9	12.5	16	25	35	50	75
Iris range [F. no]	F1.2-F16	F1.4-F16	F1.4-F16	F1.4-F16	F1.4-F16	F1.6-F22	F2.3-F22	F2.8-F22
Angle of view	57.3°x43.8°(1/2")	53.3°x40.5°(2/3")	39.2°x29.4°(2/3")	30.5°x22.9°(2/3")	19.4°x14.6°(2/3")	14.3°x10.8°(2/3")	10.1°x7.6°(2/3")	6.7°x5.0°(2/3")
Working Distance*1 [mm]	∞-10	∞-40	∞-20	∞-40	∞-120	∞-230	∞-500	∞-1,100
Operation of focus	Manual	Manual	Manual	Manual	Manual	Manual	Manual	Manual
Operation of iris	Manual	Manual	Manual	Manual	Manual	Manual	Manual	Manual
Filter thread [mm]	M27x0.5	M27x0.5	M25.5x0.5	M25.5x0.5	M25.5x0.5	M25.5x0.5	M25.5x0.5	M30.5x0.5
Mount	C-mount	C-mount	C-mount	C-mount	C-mount	C-mount	C-mount	C-mount
Weight (approx.) [g]	50	50	40	40	40	40	40	50
Sensor size (std.)*2	1/2"(4.5μm)	2/3"(6.2μm)	2/3"(6.2μm)	2/3"(6.2μm)	2/3"(6.2μm)	2/3"(6.2μm)	2/3"(6.2μm)	2/3"(6.2μm)
Sensor size (max.)*3	1/2"(4.5μm)	2/3"(6.2μm)	2/3"(6.2μm)	2/3"(6.2μm)	2/3"(6.2μm)	2/3"(6.2μm)	2/3"(6.2μm)	2/3"(6.2μm)
TV distortion [%]	-1.84	-2.00	-1.95	-0.87	-0.19	0.10	0.06	0.36
Dimension [mm]	ø29.5x36.7	ø29.5x35	ø29.5x29.5	ø29.5x29.5	ø29.5x29.5	ø29.5x29.5	ø29.5x29.5	ø31.5x48



\*1 From front of lens barrel. \*2 Sensor size(std.): Ideal size to maximize the target resolution.  
\*3 Sensor size(max.): Adaptable sensor size varies depending on the model. Please check the amount of light and resolution on the edges pertaining to your particular application.

\*1 From front of lens barrel. \*2 Sensor size(std.): Ideal size to maximize the target resolution.  
\*3 Sensor size(max.): Adaptable sensor size varies depending on the model. Please check the amount of light and resolution on the edges pertaining to your particular application.