

DL2523UC-MPY

f=25mm F2.3

**for 1/1.1 Type 12Megapixel cameras, Motorized Control Fixed-focal
USB interface, C-Mount**

Optical Specifications

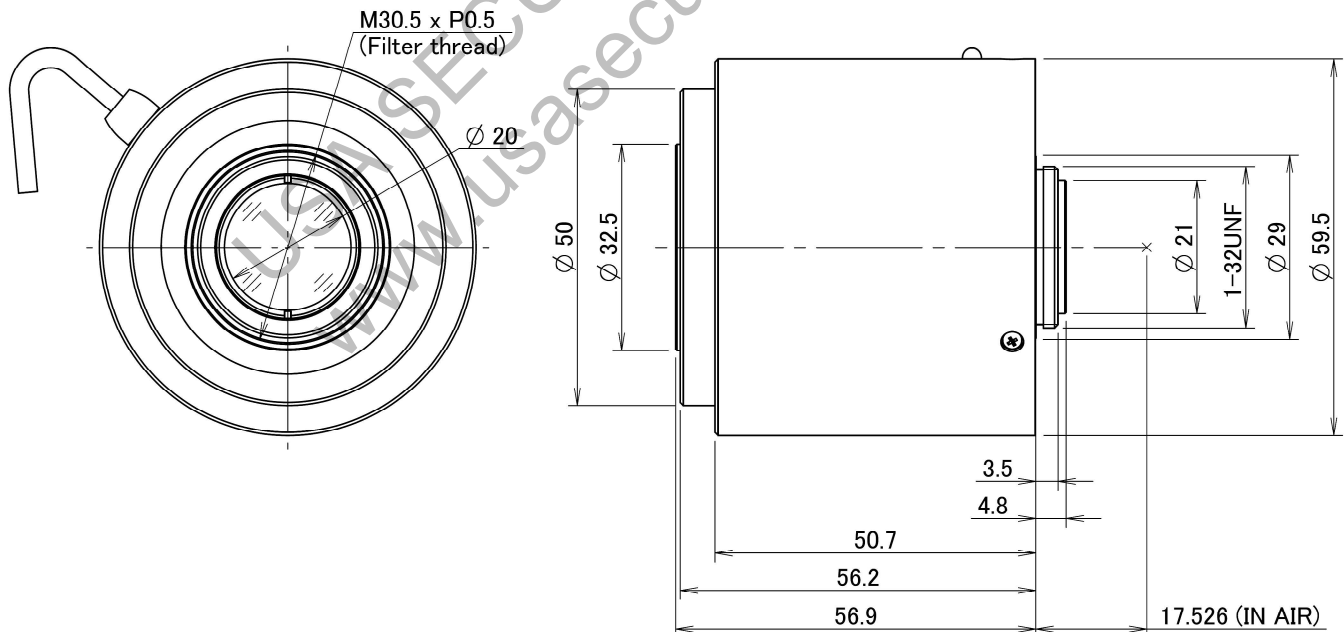
Model No.	DL2523UC-MPY		Effective Lens Aperture	Front:φ19.6mm Rear:φ13.5mm			
Focal Length	25mm		Back Focal Length	14.3mm (in Air)			
Operation Range	Iris	F2.3 - F16.0		Flange Back Length	17.526mm (In Air)		
	Focus	0.12m - Inf.		Max. Image Circle	φ14.4mm		
Object Dimension at M.O.D.	1/1.1 Type	48.4mm x 35.5mm		Distortion	1/1.1 Type	0.1%	
	2/3 Type	38.0mm x 28.5mm			2/3 Type	-0.1%	
	1/1.8 Type	31.1mm x 23.3mm			1/1.8 Type	-0.1%	
Angle of View	D	1/1.1 Type	31.0°	2/3 Type	24.8°	1/1.8 Type	20.4°
	H	11.22mm x 8.22mm	25.3°	8.8mm x 6.6mm	20.0°	7.2mm x 5.4mm	16.4°
	V	(φ13.9mm)	18.7°	(φ11.0mm)	15.1°	(φ9.0mm)	12.3°

Mechanical & Electrical Specifications

Control Interface	USB2.0		Dimensions	As per the attached drawing			
Power mode	Bus power (500mA)		Mount	C-Mount			
Connector	USB TypeA		Weight	166g			
Operating Temperature	-20°C - +60°C		Tripod Screw	-			
Control	Iris	Motorized		Filter thread	M30.5 x P0.5mm		
	Focus	Motorized		IRCF switcher	-		

Dimensions

Unit:mm



Length of Wire

300±20 (mm)

This specification is subject to change without any notice.

2022.11