

Mini™ Tankless Electric Water Heater

Engineer/Architect: _____ **Date:** _____

Job Name/Customer: _____ **Phone:** _____

Location: _____ **Date Required:** _____

Contractor: _____ **Phone:** _____

Water Heater Specifications	Item No.	Quantity	kW	Voltage	Amperage
Model # Mini™ _____	_____	_____	_____	_____	_____

Applications

- | | | | |
|--|---|---|--|
| Commercial › Industrial › Institutional
› Office Buildings
› Stores
› Malls
› Warehouses
› Restaurants | › Gas Stations
› Schools
› Hotels / Motels
› Commercial Condominiums
› Manufacturing Facilities | Residential
› Bathroom Sinks
› Kitchen Sinks
› Laundry Areas
› Cabins / Cottages
› Low Flow Showers | › Mounts with water connections up or down
› Can be mounted above or below fixture
› Cold water supply input only |
|--|---|---|--|

Specifications

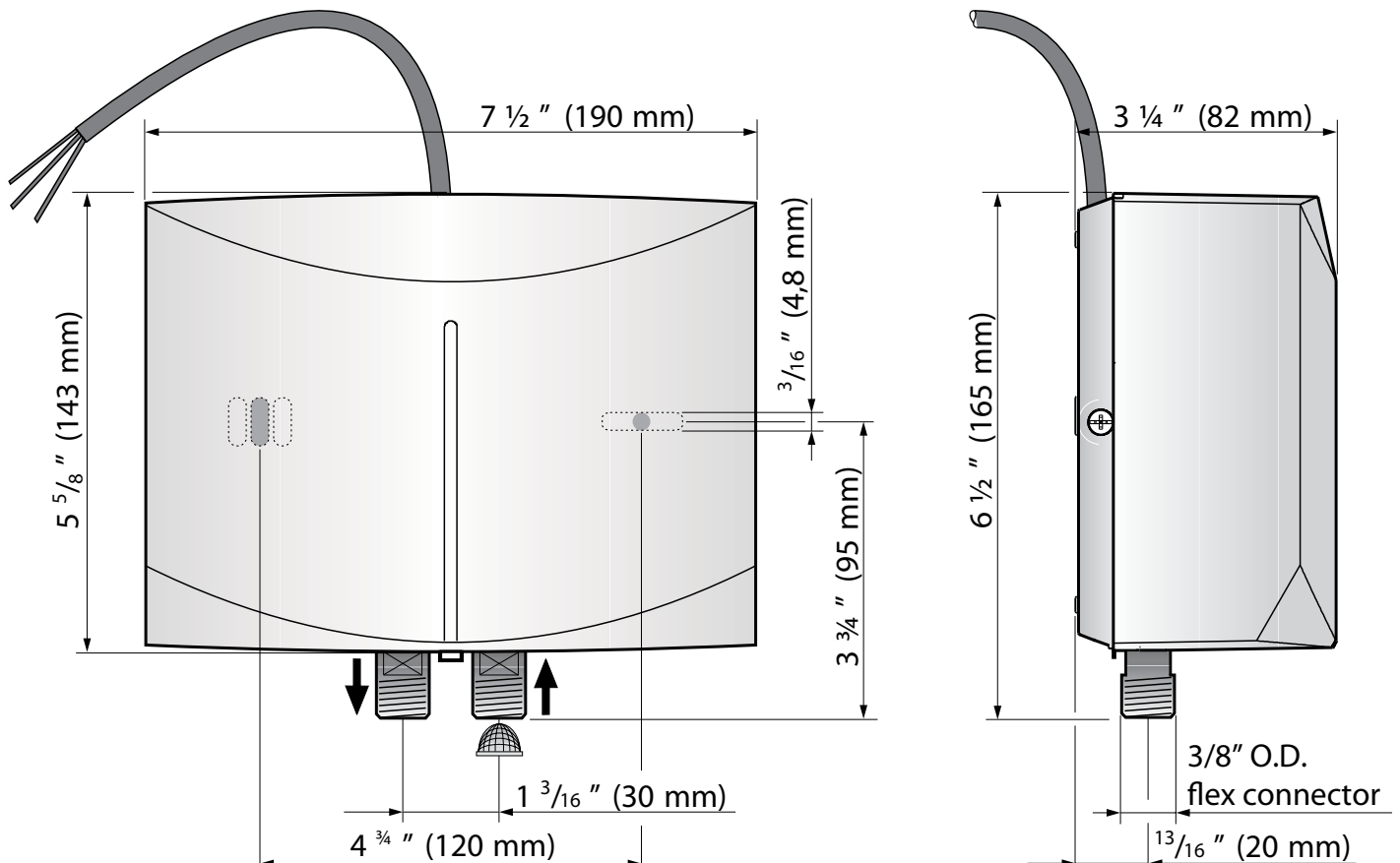
Model	Phase	Voltage	kW	Amps	Circuit Breaker	Minimum Wire Size	Temperature Rise °F (GPM = kW x 6.83 / Δt)			
							0.32 GPM	0.50 GPM	0.75 GPM	1.00 GPM
Mini™ 2-1	single	120 V	1.8 kW	15 A	20 A	12 AWG	42	-	-	-
Mini™ 2.5-1	single	120 V	2.4 kW	20 A	30 A	10 AWG	-	33	-	-
Mini™ 3-1	single	120 V	3.0 kW	25 A	30 A	10 AWG	-	41	-	-
Mini™ 3.5-1	single	120 V	3.5 kW	29 A	40 A	10 AWG	-	48	32	-
Mini™ 4-2	single	240 V	3.5 kW	14.6 A	20 A	12 AWG	-	48	32	-
	single	208 V	2.6 kW	12.7 A	20 A	12 AWG	-	37	25	-
Mini™ 6-2	single	240 V	5.7 kW	23.8 A	30 A	10 AWG	-	-	-	39
	single	208 V	4.3 kW	20.6 A	30 A	10 AWG	-	-	-	32

Mini™ 2-1 is internally restricted to 0.32 GPM. Mini™ 2-1, 2.5-1, 3-1 ship with a 0.5 GPM pressure compensating flow reducer/aerator that should be installed. Mini™ 3.5-1, 4-2 ship with a 0.66 GPM pressure compensating flow reducer/aerator that should be installed.

Mini™ Model	Mini™ 2-1	Mini™ 2.5-1	Mini™ 3-1	Mini™ 3.5-1	Mini™ 4-2	Mini™ 6-2
Part number	231045	232098	220816	232099	222039	220817
Weight (lbs / kg)	3.44 / 1.56	3.44 / 1.56	3.44 / 1.56	3.44 / 1.56	3.44 / 1.56	3.44 / 1.56
Min. flow to activate (gpm / l/min)	0.21 / 0.80	0.40 / 1.5	0.40 / 1.5	0.40 / 1.5	0.40 / 1.5	0.77 / 2.90
Operating Pressure	Min. 30 psi, Max. 150 psi					
Dimensions (in / mm)	HEIGHT 6½"(165 mm) X WIDTH 7½"(190 mm) X DEPTH 3¼"(82 mm)					
Cover Material and Color	White ABS					



Dimensions



Certified to ANSI/UL Std. 499
Conforms to CAN/CSA
E335-1 & E335-2-35

ISO 9001
CERTIFIED



Tested and certified by
WQA against NSF/ANSI 372
for lead free compliance.

C USA

Warranty

Residential & commercial warranty: Stiebel Eltron, Inc. warrants to the original owner that the Mini™ tankless electric water heater will be free from defects in workmanship and materials for a period of three (3) years from the date of purchase, and free from leakage for a period of seven (7) years from the date of purchase. Should the part(s) prove to be defective under normal use during this period, Stiebel Eltron, Inc. will be responsible for replacement of the defective part(s) only. Stiebel Eltron, Inc. is not responsible for labor charges to remove and/or replace the defective part(s), or any incidental or consequential expenses.

Should the owner wish to return the tankless electric water heater for repair, the owner must first secure written authorization from Stiebel Eltron, Inc. The owner shall be required to show proof of purchase date, and to pay all transportation costs to return the defective part(s) or tankless electric water heater for repair or replacement. Warranty is void if water heater has been installed or used improperly or if design has been altered in any way.