

15 needles

Tubular, flat cap frame embroidery 270°

Available in 13 languages

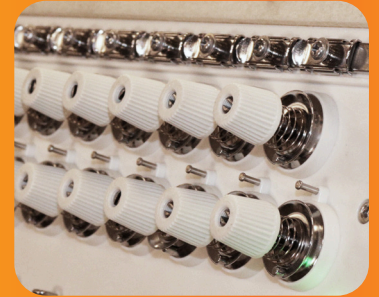
Includes table and stand with wheels

SW-1502-SH

EMBROIDERY INDUSTRIAL MACHINE



USB port



Thread tension adjustment knobs



Centering laser

GENERAL INFORMATION:

Industrial compact and lightweight embroidery machine equipped with 2 heads and 15 needles with a maximum speed of 1.200 PPM.

Functions:

Flat embroidery, finished garment embroidery, cap embroidery, etc.

Multi-language support:

Spanish, French, Portuguese, German, Italian, Dutch, English, etc.

USB input and output suitable for formats, such as DSB, DST, etc.

Memory capacity:

Maximum 400 designs or 16 million stitches.

7 inch (20.32 cm) HD LCD touch screen panel.

EQUIPPED WITH:

- Centering laser.
- USB port.
- Automatic thread trimmer and thread wiper.
- Auto start.
- Auto change of color.
- Auto lubricating part.
- Thread break detectors.
- Stand with wheels.



Auto bobbin winder (included)



SW-1502-SH with the rectangular hoop set

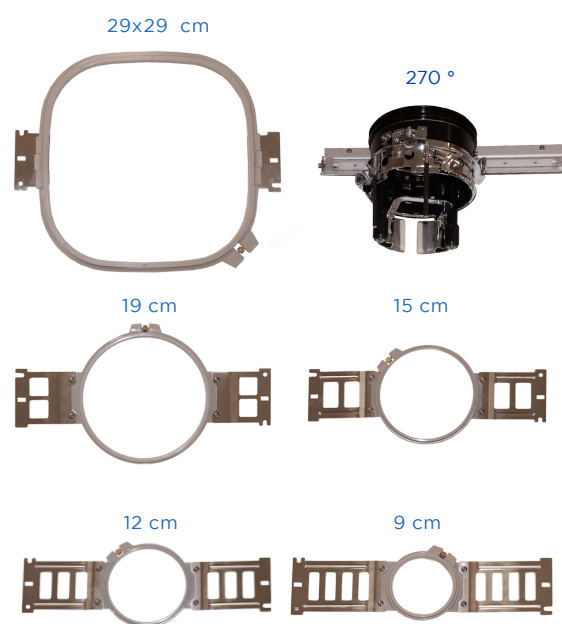


SW-1502-SH with the cap hoop set

STANDARD ACCESSORIES:

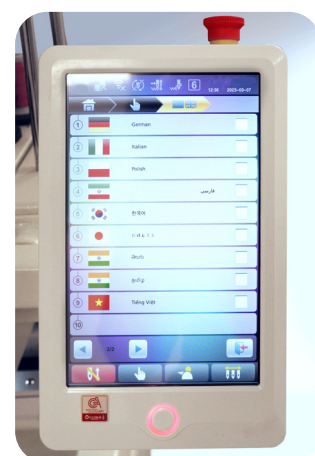
- Rectangular hoop 29 x 29 cm (4 pcs)
- Round hoop 19 cm (4 pcs)
- Round hoop 15 cm (4 pcs)
- Round hoop 12 cm (4 pcs)
- Round hoop 9 cm (4 pcs)
- Hoops for caps 270° (4 pcs)

- Standard accessories tool box: 1 set.
- Border aluminum frame and extended table.
- Movable stand with wheel.
- Machine parts list book and USB file with operational manual.
- Aluminum poly bag or wooden case
- Auto bobbin winder device: 1 set.



TECHNICAL DETAILS

Computer	DAHAO 285MODEL
Control panel	8-inch HD LCD touch screen panel
Main motor	Servo motor
XY motor	Stepping motor
Rotary hook	Japanese rotary hook
Max. speed	1000 RPM
Voltage	Universal adaptive wide voltage AC90V-240V input
Power consumption	Max. 150 W



LCD touch screen panel

SWD-1502-SH	x15	1.000	√	√	max. 150 W	100x95x160 cm	380 kg	40 x 45 cm

