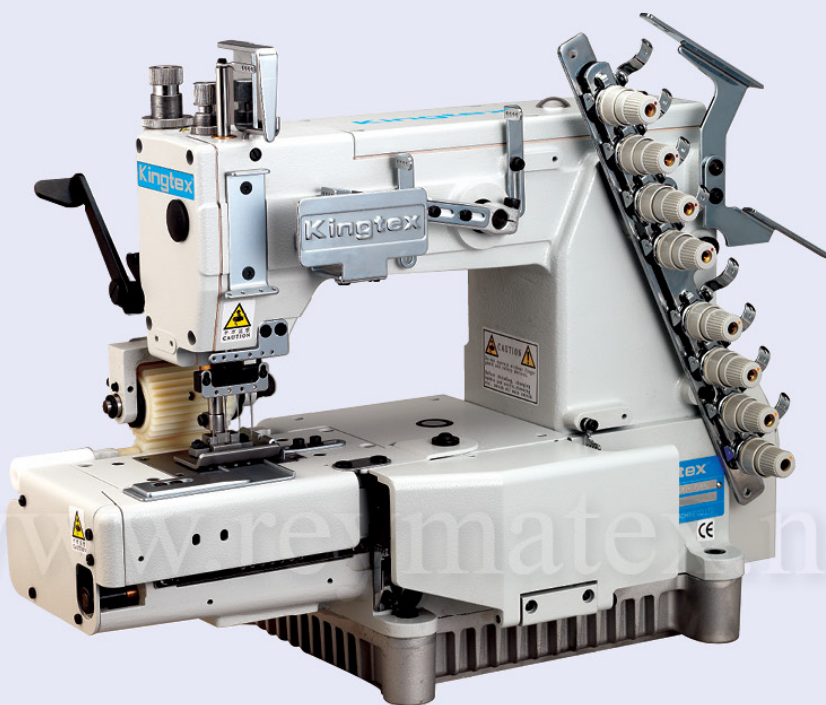
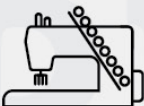


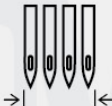

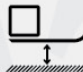




A



www.reymatex.net

								Optional Device
MT-4504PMD-064	4	8	3/4" (19.1 mm)	1.4 ~ 3.6	12 mm	#11 ~ 14mm U0113	4.000 S.P.M	
MT-4504PMD-085			1" (25.4 mm)					
MT-4504PMD-095			1-1/8" (28.5 mm)					
MT-4504PMD-106			1-1/4" (31.8 mm)					
MT-4504PMD-127			1-1/2" (38.1 mm)					

**MT-4504P**

0A7787/A/B/C/D



Cylinder bed 4 needles double chainstitch sewing machine with rear puller.

**MT-4504PMD**

0A7788/A/B/C



Cylinder bed 4 needles double chainstitch sewing machine with rear puller and front elastic tape feeder.

A

• Front elastic tape feeder: PMD.

**MT-4504P**

0A7787/A/B/C/D



Máquina de 4 agujas doble cadeneta de base cilíndrica equipada con puller trasero de arrastre.

**MT-4504PMD**

0A7788/A/B/C



Máquina de 4 agujas doble cadeneta de base cilíndrica equipada con puller trasero de arrastre y alimentador delantero de elástico.

A

• Alimentador delantero de elástico: PMD.