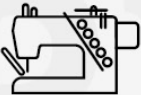



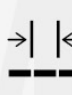

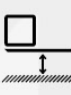




110 mm

|  |  |  |  |  |  |  |  |  | Optional Device |
|---|---|---|---|---|---|---|---|---|-----------------|
| CTU-9111-0-240M | 2 | 4 | 4.0 mm | 0.8~3.3 | 1:0.3 ~ 1:2.9 | 5 mm | #11 mm UY128GAS | 3.000 S.P.M | |
| CTU-9111-0-248M | | | 4.8 mm | | | | | | |
| CTU-9111-0-356M | 3 | 5 | 5.6 mm | | | | | | |
| CTU-9111-0-364M | | | 6.4 mm | | | | | | |

CTU-9111-0-356M/UCP-FS1

OA7784Q



Top feed extra small cylinder bed interlock with circumference 110 mm. Upper and lower covering threads. Equipped with direct drive servo motor assembled in the head, upper and lower pneumatic thread trimmers and pneumatic presser foot lifter.

CTU-9111-0-356M/UCP-FS1

OA7784Q



Máquina de recubrir de doble arrastre de base cilíndrica extra pequeña de circunferencia 110 mm. Recubrimiento superior e inferior. Equipada con motor servo en el cabezal, cortahilos superior e inferior neumáticos y alza prensatelas neumático.

A

• Arm circumference 110mm.

A

• Circunferencia del brazo 110mm.