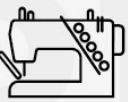





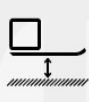




|  |  |  |  |  |  |  |  |  | Optional Device |
|---|---|---|---|---|---|---|---|---|-----------------|
| CTD-9811-0-240M/UCP-D1 | 2 | 4 | 4.0 mm | 1.4~3.6 | 1:2.9~1:0.3 | 5 mm | #11 mm UY128GAS | | |
| CTD-9811-0-248M/UCP-D1 | | | 4.8 mm | | | | | | |
| CTD-9811-0-356M/UCP-D1 | 3 | 5 | 5.6 mm | | | | | | |
| CTD-9811-0-364M/UCP-D1 | | | 6.4 mm | | | | | | |

CTD-9811-0-356S1/UCP-D1

OA7784J



Small cylinder bed direct drive (Ho Hsing servo motor) interlock machine with top and bottom covering threads, 3 needles. With left side remaining fabric cutter for sewing bottoms of T shirts, polos and similar. Equipped with automatic pneumatic upper and lower thread trimmers, presser foot lifter and guide. Outside take-up lever.

CTD-9811-0-356S1/UCP-D1

OA7784J



Máquina de base cilíndrica pequeña de 3 agujas con recubrimiento superior e inferior equipada mecanismo recortador del tejido sobrante al realizar bajos de camisas y similares. Incorpora motor sistema de aspiración del tejido sobrante recortado, motor Ho Hsing en el cabezal, cortahilos inferior y superior neumáticos y alzaprensatelas neumático. Circunferencia del brazo de 26 cm.