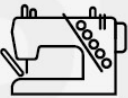



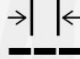
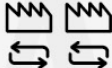
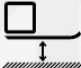




www.reymatex.net

									Optional Device
CTD-9085-0-240M/UCP-B1/ CV-07A/ RP03	2	4	4.0 mm	1.4 ~ 3.6	1:2.9 ~ 1:0.3	5 mm	#11 mm UY128GAS	4.500 S.P.M	
CTD-9085-0-248M/UCP-B1/ CV-07A/RP03			4.8 mm						
CTD-9085-0-356M/UCP-B1/ CV-07A/RP03	3	5	5.6 mm						
CTD-9311-0-364M/UCP-B1/ CV-07A/UN001			6.4 mm						

CTD-9085-0-356M/UCP-B1/CV-07A/RP-03

OA7759F



Direct drive (Ho Hsing servo motor) cylinder bed interlock machine with top and bottom covering threads, 3 needles. With right remaining fabric cutter for attaching closed elastic in men's brief. Equipped with rear puller, chips collector and elastic tension rollers. Includes automatic pneumatic upper and lower thread trimmers, presser foot lifter. Outside take-up lever.

CTD-9085-0-356M/UCP-B1/CV-07A/RP-03

OA7759F



Máquina de recubrir de base cilíndrica de 3 agujas con recubrimiento superior e inferior equipada con motor servo (Ho Hsing) en el cabezal, cortahilos superior e inferior y alzaprensatejas neumáticos. Incorpora cuchilla de corte del tejido sobrante del lado derecho, puller trasero de arrastre y rodillos tensores para de goma cerrada en cinturas de bóxers.