


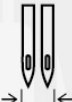

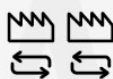
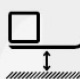




www.reymatex.net

									Optional Device
CTD-9000-0-240M/UCP-B1	2	4	4.0 mm	1.4 ~ 3.6	1:0.3 ~ 1:2.9	5 mm	#11 mm UY128GAS	6.000 S.P.M	
CTD-9000-0-248M/UCP-B1			4.8 mm						
CTD-9000-0-356M/UCP-B1	5.6 mm								
CTD-9000-0-364M/UCP-B1	3	5	6.4 mm		1:0.7 ~ 1:2.0				
CTD-9060-0-452M/UCP-BA	4	6	5.2 mm						
CTD-9060-0-456M/UCP-BA			5.6 mm						
CTD-9060-0-460M/UCP-BA			6.0 mm						
CTD-9060-0-464M/UCP-BA			6.4 mm						

CTD-9000-0-356M/UCP-B1

0A7759A



Direct drive (Ho Hsing servo motor) cylinder bed interlock machine with top and bottom covering threads, 3 needles. Equipped with automatic pneumatic upper and lower threads trimmers and presser foot lifter. Outside take-up lever.

CTD-9060-0-460M/UCP-BA

0A7759H



Direct drive (Ho Hsing servo motor) cylinder bed interlock machine with top and bottom covering threads, 4 needles gauge 6.0 mm. Equipped with automatic pneumatic upper and lower thread trimmers and presser foot lifter. Outside take-up lever.

A

• RP: rear puller device.