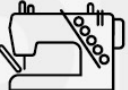




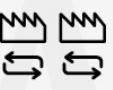
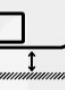





www.kingtex.net


									Device included
CTD-9000-0-240M/UCP-B1	2	4	4.0 mm	1.4~3.6	1:0.3 ~ 1:2.9	5 mm	#11 mm UY128GAS	6.000 S.P.M	• RP-03
CTD-9000-0-248M/UCP-B1			4.8 mm						
CTD-9000-0-356M/UCP-B1	5.6 mm								
CTD-9000-0-364M/UCP-B1	3	5	6.4 mm		1:0.7 ~ 1:2.0				
CTD-9060-0-452M/UCP-B1	4	6	5.2 mm						
CTD-9060-0-456M/UCP-B1			5.6 mm						
CTD-9060-0-460M/UCP-B1			6.0 mm						
CTD-9060-0-464M/UCP-B1			6.4 mm						

CTD-9000-0-356M/UCP-B1/RP-03 OA7759E

 Direct drive (Ho Hsing servo motor) cylinder bed interlock machine with top and bottom covering threads, 3 needles. Equipped with automatic pneumatic upper and lower thread trimmers, presser foot lifter and rear nylon **puller** with teeth. Outside take-up lever.

A
• RP-03: rear puller device.

CTD-9000-0-356M/UCP-B1/RP-03 OA7759E

 Máquina de recubrir de base cilíndrica de 3 agujas con recubrimiento superior e inferior equipada con motor servo (Ho Hsing) en el cabezal, cortahilos superior e inferior y alzaprensatejas neumáticos. Incorpora **puller** trasero de arrastre.

A
• RP-03: puller trasero de arrastre.