



| Carcase/Front/Applications                                       | Interior colour | Colour code |
|--|-----------------|-------------|
| Natural royal oak, partly solid / App. in champagne colour glass | Oldenburg beech | Z3460       |



Natural royal oak



Colour glass champagne



Handle stainl. steel look

Very easy to plan using:  
**furnplan**

Details of our made-to-measure service can be found after the wardrobes.

Matching rauch BLACK ACCESSORIES 1.0 can be found after the made-to-measure options.

Supplier: Möbelwerke Mastershausen GmbH

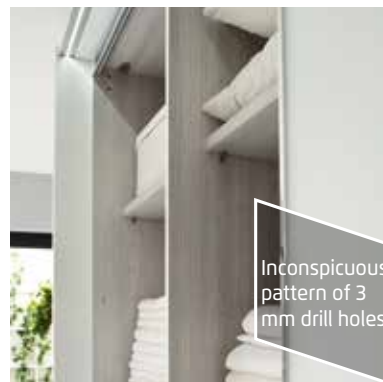
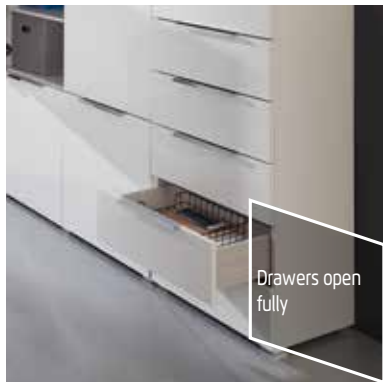
# Quality features

rauch BLACK

rauch  
BLACK



\* Except model Ocean



- Sophisticat-  
ed design
- Outstanding  
workmanship
- Elegant  
front de-  
signs
- First-class  
furniture  
fittings
- Individual  
accessories
- Special sizes

# Signed and sealed quality

## Quality in detail

### Wardrobe

Carcase and passepartouts: Easy-care colour surface inside and out  
 Front: solid wood/glass overlay/mirror  
 Lighting: LED lighting (with transformer and foot switch)

### Bed

Headboard and footboard: Upholstery with woven fabric, solid wood  
 Bed frame: Colour surface  
 Mattress height: 4-way adjustable  
 Lighting: LED lighting

### Beside tables and matching pieces

Carcase: Easy-care colour surface inside and out  
 Front and top: Solid wood  
 Drawers: on silent ball-bearing runners, opening fully, with cushioned self-closing mechanism

### Made-to-measure range:

We can provide made-to-measure solutions on request.

Customised and unique solutions are possible for virtually any room situation.

## Material information



### Solid wood furniture

Real wood furniture is durable and keeps its value. The surface is always unique, giving each piece of furniture an individual charm. The solid wood we use comes from controlled forestry operations in the EU and North America. In our European oak, small and large knots and knot cracks are natural characteristics of solid wood and do not represent a quality defect. Open knots (except for hairline cracks) are filled with wood colour on the door fronts. Knots on the back of the doors remain natural and untreated.



### Colour

Furniture with colour finish has an evenly attractive, hard-wearing surface. The surfaces are coated with very high-quality, easy-care furniture decor foil.



### Load-bearing capacity

The load limits for all furniture and extras can be found in the load table at: <https://qrco.de/rauch-belastungstabelle>



### WOODMAX chipboard

This healthy green-wood chipboard was designed specifically for use in living areas. Our Woodmax chipboard is made only from pollutant-free small-diameter logs and windfall timber from sustainably managed forestry operations in regional woods.

### Our natural raw material

Rauch has won various awards for the material used in its boards. Strict tests by impartial institutes consistently confirm that our materials and processes are not harmful to health.



## Wardrobe carcase features

### Optimum wardrobe dimensions

Take advantage of the maximum possible storage space, achieved thanks to:

50 cm width increments: 200 - 400 cm  
 Height: 223 cm  
 Usable depth: 57 cm

### Functional and timeless interior design

Enhanced style and elegance in both presentation and inner values:

Interior colours: match the respective carcase colour  
 Elegant plinth height: 32 mm visible  
 Sturdy shelves: 22 mm thick, with double bevels and bolted angle brackets

Inconspicuous pattern of drill holes: 3 mm diameter

Hinges: with dampers, 4 per hinged door

### Dust protection

Dust brushes on the doors prevent any dust ingress.

See rauch BLACK ACCESSORIES 1.0 for robe accessories

## Award-winning and certified



### 10 years rauch manufacturer's warranty.

Warranty terms and conditions on [rauchmoebel.com/garantie](http://rauchmoebel.com/garantie) and in information enclosed with the product.



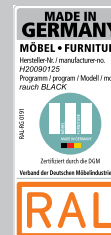
### Sustainability

Rauch was awarded the title of "Germany's most sustainable medium-sized company 2014" because we are consistent in pursuing our objective of offering ecologically and socially sustainable furniture at affordable prices..



### Made in Germany

High-quality materials, state-of-the-art technology and perfect workmanship – for more than 120 years the name Rauch has been synonymous with reliable and durable quality furniture, made in Germany.



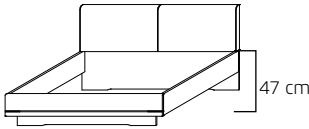
The certificate of origin labels furniture from Germany that meets strictly defined criteria. Construction, assembly, quality checks and the relevant manufacturing process takes place in Germany.



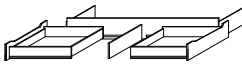
### The „Golden M“

The Golden M is a sign that furniture has been tested for quality, safety and healthy living. So you can rest assured that you are buying quality furniture with good, reliable properties


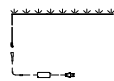
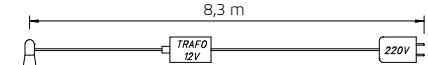


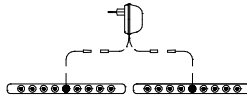
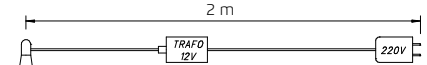

|  |             |    |                 |                            |
|--|-------------|----|-----------------|----------------------------|
| Carcase/Front/Applications                                       | Colour code | PG | Interior colour | Accessories                |
| Natural royal oak, partly solid / App. in champagne colour glass | Z3460       | 1  | Oldenburg beech | See separate list<br>Z3010 |


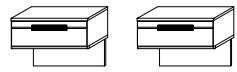
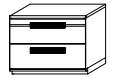
| BEDS   |   |  |  |  |
|--|---|--|--|--|
| Footboard in solid wood, bar in stainless-steel colour; adjustable fittings for mattress height      |   |  |  |  |
| <b>Polster-Kopfteil</b><br>with woven fabric<br>grey-brown<br><br><b>W 180 cm</b><br><b>W 200 cm</b> |  |  | <b>Inlet depths slatted frame:</b><br>Upper edge of bed side to lowest support height - max. 20,2 cm<br>(adjustable in 2,5 cm steps upwards) |  |
|  | bed   | bed  | bed  | bed  |
|  | headboard padding   | headboard padding                            | headboard padding  | headboard padding                            |
|  | 180x200 ↔187 cm †102 cm ↗215 cm <b>BG 37</b>                                      | 180x220 ↔187 cm †102 cm ↗235 cm <b>BG 39</b> | 200x200 ↔207 cm †102 cm ↗215 cm <b>BG 42</b>   | 200x220 ↔207 cm †102 cm ↗235 cm <b>BG 44</b> |
| <b>Article</b>   | <b>PG</b>   | <b>Price</b>                                 |  |  |
|  |   | <b>5155</b>                                  | <b>5155</b>  | <b>5155</b>                                  |


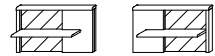
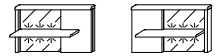

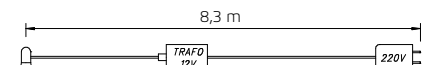

| BEDS  |   |   |  |   |
|---|---|---|--|---|
| Headboard and footboard in solid wood, bar in stainless-steel colour; adjustable fittings for mattress height |   |   |  |   |
| <b>Kopfteil massiv</b><br><br><b>W 180 cm</b><br><b>W 200 cm</b>  |  |   | <b>Inlet depths slatted frame:</b><br>Upper edge of bed side to lowest support height - max. 20,2 cm<br>(adjustable in 2,5 cm steps upwards) |   |
|   | bed   | bed   | bed  | bed   |
|   | headboard maturated   | headboard maturated                         | headboard maturated  | headboard maturated                         |
|   | 180x200 ↔187 cm †98 cm ↗215 cm <b>BG 37</b>                                       | 180x220 ↔187 cm †98 cm ↗235 cm <b>BG 39</b> | 200x200 ↔207 cm †98 cm ↗215 cm <b>BG 42</b>  | 200x220 ↔207 cm †98 cm ↗235 cm <b>BG 44</b> |
| <b>Article</b>  | <b>PG</b>   | <b>Price</b>                                |  |   |
|   |   | <b>5156</b>                                 | <b>5156</b>  | <b>5156</b>                                 |

| BEDS                                     |   |                      |                      |                      |
|--|---|----------------------|----------------------|----------------------|
| Set of 2 on castors, incl. plinth panels |   |                      |                      |                      |
| <b>W 180 cm</b><br><b>W 200 cm</b>       |  |                      |                      |                      |
|  | plinth drawer   | plinth drawer        | plinth drawer        | plinth drawer        |
|  | set of 2  | set of 2             | set of 2             | set of 2             |
|  | 180x200 <b>BG 37</b>  | 180x220 <b>BG 39</b> | 200x200 <b>BG 42</b> | 200x220 <b>BG 44</b> |
| <b>Article</b>                           | <b>PG</b>   | <b>Price</b>         |                      |                      |
|  |   | <b>0370</b>          | <b>0370</b>          | <b>0370</b>          |

| Carcase/Front/Applications                                       | Colour code | PG | Interior colour | Accessories                |
|--|-------------|----|-----------------|----------------------------|
| Natural royal oak, partly solid / App. in champagne colour glass | Z3460       | 1  | Oldenburg beech | See separate list<br>Z3010 |

| BEDS  |  | Accessories for beds 180 and 200 cm wide  |   |  |
|---|--|---|---|--|
| <br>Ambient lighting only for bed with solid wood-headboard<br> | Headboard lighting 2042<br><br>8,3 m<br> | Please order using colour code <b>Z3010</b> .<br><br> | Indirect bedside lighting 2009<br><br>2 m<br> | LED light<br>to stick on   |
|   |  |   |   | This product contains a light source of the energy efficiency class F.<br>EPREL 769325 |
| Article   | PG   | Price   | <b>2042</b>   |  |

| BEDSIDE TABLES  |   | Front and top in solid wood, handles in stainless-steel colour                    |             |             |
|---|---|---|-------------|-------------|
|  |  |  |             |             |
|   | bedside tables, pair for hanging<br>1 drawer<br>↔61 cm ¦47 cm ↗41 cm              | bedside table<br>2 drawers<br>↔61 cm ¦47 cm ↗41 cm                                |             |             |
| Article   | PG  | Price   | <b>N213</b> | <b>N214</b> |

| BEDSIDE TABLES  |   | Bedside table tops with champagne glass overlay                                      |   |  |
|---|---|--|---|--|
|  |  |  |  | Panel lighting 0718<br><br>8,3 m<br> |
|   | bedside table panel<br>with shelf<br>↔61 cm ¦36 cm ↗22 cm                           | bedside table panel<br>with lighting, with shelf<br>↔61 cm ¦36 cm ↗22 cm             |   |  |
| Article   | PG  | Price  | <b>0717</b>   | <b>0718</b>  |


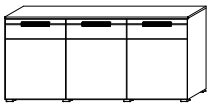
| Carcase/Front/Applications                                       | Colour code | PG | Interior colour | Accessories                |
|--|-------------|----|-----------------|----------------------------|
| Natural royal oak, partly solid / App. in champagne colour glass | Z3460       | 1  | Oldenburg beech | See separate list<br>Z3010 |

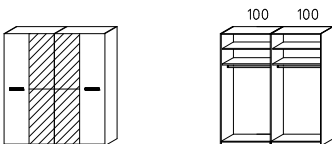
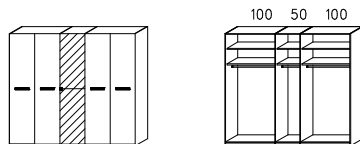
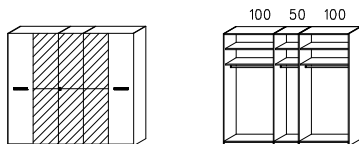
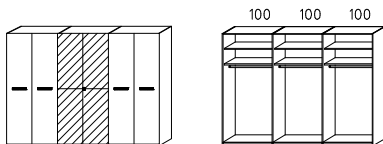
| MATCHING PIECES |                      |       |                       |  | Front and top in solid wood, handles in stainless-steel colour |  |                                |  |             |
|-----------------|----------------------|-------|-----------------------|--|--|--|--------------------------------|--|-------------|
|                 |                      |       |                       |  |  |  |                                |  |             |
|                 | chest                |       | chest                 |  | chest  |  | chest                          |  |             |
|                 | with 4 drawers       |       | 2-door, 2 drawers     |  | 1-door, hinged right, 5 drawers                                |  | 1-door, hinged left, 5 drawers |  |             |
|                 | ↔61 cm †84 cm ↗41 cm |       | ↔121 cm †84 cm ↗41 cm |  | ↔121 cm †84 cm ↗41 cm  |  | ↔121 cm †84 cm ↗41 cm          |  |             |
| Article         | PG                   | Price | <b>B350</b>           |  | <b>B356</b>  |  | <b>B348</b>                    |  | <b>B349</b> |

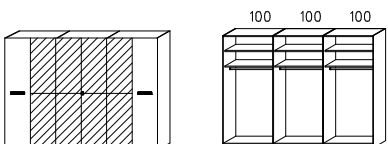
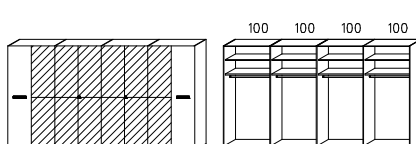
| MATCHING PIECES |                       |       |                       |  | Front and top in solid wood, handles in stainless-steel colour |  |             |  |  |
|-----------------|-----------------------|-------|-----------------------|--|--|--|-------------|--|--|
|                 |                       |       |                       |  |  |  |             |  |  |
|                 | chest                 |       | chest                 |  | chest  |  |             |  |  |
|                 | 2-door, 6 drawers     |       | 3-door, 3 drawers     |  | 4-door, 2 drawers  |  |             |  |  |
|                 | ↔181 cm †84 cm ↗41 cm |       | ↔181 cm †84 cm ↗41 cm |  | ↔121 cm †144 cm ↗41 cm   |  |             |  |  |
| Article         | PG                    | Price | <b>B347</b>           |  | <b>B358</b>  |  | <b>B359</b> |  |  |

| MATCHING PIECES   |                                  |       |                                 |  | Doors with glass overlay champagne, Front and top in solid wood, handles in stainless-steel colour |  |                                  |  |             |
|---|----------------------------------|-------|---------------------------------|--|--|--|----------------------------------|--|-------------|
| <p>Doors with push-to-open hardware and Glass overlay</p> |                                  |       |                                 |  |  |  |                                  |  |             |
|   | chest                            |       | chest                           |  | chest  |  | chest                            |  |             |
|   | 2-door, 2 glass doors, 2 drawers |       | 1-door, 1 glass door, 5 drawers |  | 1-door, 1 glass door, 5 drawers  |  | 2-door, 2 glass doors, 6 drawers |  |             |
|   | ↔121 cm †84 cm ↗41 cm            |       | ↔121 cm †84 cm ↗41 cm           |  | ↔121 cm †84 cm ↗41 cm  |  | ↔181 cm †84 cm ↗41 cm            |  |             |
| Article   | PG                               | Price | <b>B396</b>                     |  | <b>B398</b>  |  | <b>B399</b>                      |  | <b>B392</b> |

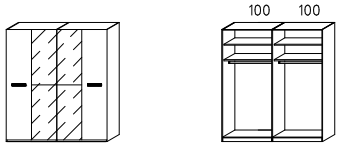
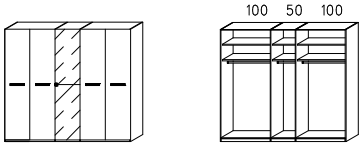
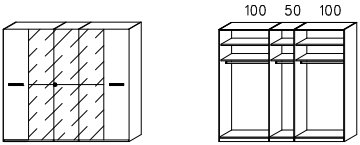
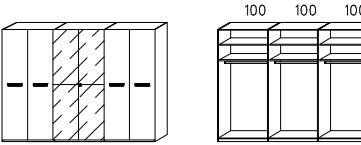
| Carcase/Front/Applications                                       | Colour code | PG | Interior colour | Accessories |
|--|-------------|----|-----------------|-------------|
| Natural royal oak, partly solid / App. in champagne colour glass | Z3460       | 1  | Oldenburg beech | Z3010       |

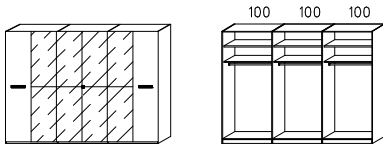
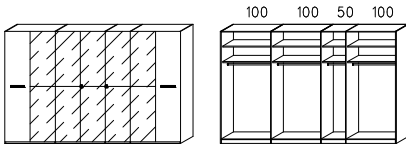
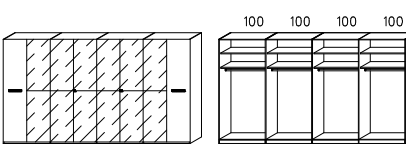
| MATCHING PIECES   |   |       |             |  |
|---|---|-------|-------------|--|
| Doors with glass overlay champagne, Front and top in solid wood, handles in stainless-steel colour  |   |       |             |  |
| <p>Doors with push-to-open hardware and Glass overlay</p>  |  |       |             |  |
|   | chest   |       |             |  |
|   | 3-door, 3 glass doors, 3 drawers  |       |             |  |
|   | ↔181 cm †84 cm ↗41 cm   |       |             |  |
| Article   | PG  | Price | <b>B400</b> |  |

| WARDROBES  |   |       |             |  |
|--|---|-------|-------------|--|
| Outer doors in solid wood, middle doors with mirrors, handles in stainless-steel colour              |   |       |             |  |
| <p>Hinged door wardrobes with mirror</p> <p>See rauch BLACK ACCESSORIES 1.0 for robe accessories</p> |    |       |             |  |
|  | hinged door wardrobe  |       |             |  |
|  | 4-door, 2 mirror doors  |       |             |  |
|  | ↔200 cm †223 cm ↗61 cm  |       |             |  |
| <p>Article</p>   | PG  | Price | <b>S034</b> |  |
|  |   |       |             |  |
|  | hinged door wardrobe  |       |             |  |
|  | 5-door, 1 mirror door   |       |             |  |
| ↔250 cm †223 cm ↗61 cm   |   |       |             |  |
| <p>Article</p>   | PG  | Price | <b>S035</b> |  |
|  |  |       |             |  |
|  | hinged door wardrobe  |       |             |  |
|  | 5-door, 3 mirror doors  |       |             |  |
| ↔250 cm †223 cm ↗61 cm   |   |       |             |  |
| <p>Article</p>   | PG  | Price | <b>S037</b> |  |
|  |  |       |             |  |
|  | hinged door wardrobe  |       |             |  |
|  | 6-door, 2 mirror doors  |       |             |  |
| ↔300 cm †223 cm ↗61 cm   |   |       |             |  |
| <p>Article</p>   | PG  | Price | <b>S038</b> |  |

| WARDROBES  |   |       |             |  |
|--|---|-------|-------------|--|
| Outer doors in solid wood, middle doors with mirrors, handles in stainless-steel colour              |   |       |             |  |
| <p>Hinged door wardrobes with mirror</p> <p>See rauch BLACK ACCESSORIES 1.0 for robe accessories</p> |    |       |             |  |
|  | hinged door wardrobe  |       |             |  |
|  | 6-door, 4 mirror doors  |       |             |  |
|  | ↔300 cm †223 cm ↗61 cm  |       |             |  |
| <p>Article</p>   | PG  | Price | <b>S039</b> |  |
|  |   |       |             |  |
|  | hinged door wardrobe  |       |             |  |
|  | 7-door, 5 mirror doors  |       |             |  |
| ↔349 cm †223 cm ↗61 cm   |   |       |             |  |
| <p>Article</p>   | PG  | Price | <b>S040</b> |  |
|  |  |       |             |  |
|  | hinged door wardrobe  |       |             |  |
|  | 8-door, 6 mirror doors  |       |             |  |
| ↔399 cm †223 cm ↗61 cm   |   |       |             |  |
| <p>Article</p>   | PG  | Price | <b>S041</b> |  |

| Carcase/Front/Applications                                       | Colour code | PG | Interior colour | Accessories |
|--|-------------|----|-----------------|-------------|
| Natural royal oak, partly solid / App. in champagne colour glass | Z3460       | 1  | Oldenburg beech | Z3010       |

| WARDROBES  |   | Outer doors in solid wood, middle doors with champagne glass overlay, handles stainless-steel colour |   |   |             |
|--|---|--|---|---|-------------|
| <p>Drehtürenschränke mit Glasauflage</p> <p>See rauch BLACK ACCESSORIES 1.0 for robe accessories</p> |  |                    |  |  |             |
|  | hinged door wardrobe  | hinged door wardrobe   | hinged door wardrobe  | hinged door wardrobe  |             |
|  | 4-door, 2 glass doors   | 5-door, 1 glass door   | 5-door, 3 glass doors   | 6-door, 2 glass doors   |             |
|  | ↔201 cm ↓223 cm ↘61 cm  | ↔250 cm ↓223 cm ↘61 cm   | ↔250 cm ↓223 cm ↘61 cm  | ↔300 cm ↓223 cm ↘61 cm  |             |
| Article  | PG  | Price  | <b>S364</b>   | <b>S369</b>   | <b>S365</b> |

| WARDROBES   |   | Outer doors in solid wood, middle doors with glass overlay, handles in stainless-steel colour |   |             |             |
|---|---|---|---|-------------|-------------|
| <p>Hinged door wardrobes with glass overlay</p> <p>See rauch BLACK ACCESSORIES 1.0 for robe accessories</p> |  |             |  |             |             |
|   | hinged door wardrobe  | hinged door wardrobe  | hinged door wardrobe  |             |             |
|   | 6-door, 4 glass doors   | 7-door, 5 glass doors   | 8-door, 6 glass doors   |             |             |
|   | ↔300 cm ↓223 cm ↘61 cm  | ↔349 cm ↓223 cm ↘61 cm  | ↔399 cm ↓223 cm ↘61 cm  |             |             |
| Article   | PG  | Price   | <b>S366</b>   | <b>S367</b> | <b>S368</b> |



| Carcase/Front/Applications                                       | Colour code | PG | Interior colour | Accessories                |
|--|-------------|----|-----------------|----------------------------|
| Natural royal oak, partly solid / App. in champagne colour glass | Z3460       | 1  | Oldenburg beech | See separate list<br>Z3010 |

| WARDROBES  |                                   | Outer doors and drawers in solid wood, middle doors with mirrors, stainless-steel coloured handles |                                   |             |             |
|--|-----------------------------------|--|-----------------------------------|-------------|-------------|
| Hinged door wardrobes with mirror doors and drawers.<br><br>See rauch BLACK ACCESSORIES 1.0 for robe accessories |                                   |  |                                   |             |             |
|  | hinged door wardrobe              | hinged door wardrobe   | hinged door wardrobe              |             |             |
|  | 4-door, 2 mirror doors, 2 drawers | 5-door, 3 mirror doors, 2 drawers  | 6-door, 4 mirror doors, 4 drawers |             |             |
|  | ↔200 cm ↓223 cm ↘61 cm            | ↔250 cm ↓223 cm ↘61 cm   | ↔300 cm ↓223 cm ↘61 cm            |             |             |
| Article  | PG                                | Price  | <b>S344</b>                       | <b>S345</b> | <b>S346</b> |

| WARDROBES   |                                  | Outer doors and drawers in solid wood, middle doors with champagne glass overlay, stainless-steel coloured handles |                                  |             |             |
|---|----------------------------------|--|----------------------------------|-------------|-------------|
| Hinged door wardrobes with glass overlay and drawers.<br><br>See rauch BLACK ACCESSORIES 1.0 for robe accessories |                                  |  |                                  |             |             |
|   | hinged door wardrobe             | hinged door wardrobe   | hinged door wardrobe             |             |             |
|   | 4-door, 2 glass doors, 2 drawers | 5-door, 3 glass doors, 2 drawers   | 6-door, 4 glass doors, 4 drawers |             |             |
|   | ↔200 cm ↓223 cm ↘61 cm           | ↔250 cm ↓223 cm ↘61 cm   | ↔300 cm ↓223 cm ↘61 cm           |             |             |
| Article   | PG                               | Price  | <b>S348</b>                      | <b>S349</b> | <b>S350</b> |

| Carcase/Front/Applications                                       | Colour code | PG | Interior colour | Accessories                |
|--|-------------|----|-----------------|----------------------------|
| Natural royal oak, partly solid / App. in champagne colour glass | Z3460       | 1  | Oldenburg beech | See separate list<br>Z3010 |

| PASSEPARTOUTS in carcse colour, measurements = wardrobe dimensions incl. passepartout frame. |                            |                            |                            |                            |             |             |
|--|----------------------------|----------------------------|----------------------------|----------------------------|-------------|-------------|
| without lighting   |                            |                            |                            |                            |             |             |
|  | passepartout               | passepartout               | passepartout               | passepartout               |             |             |
|  | for hinged door robe 200cm | for hinged door robe 250cm | for hinged door robe 300cm | for hinged door robe 350cm |             |             |
|  | ↔206 cm ↓226 cm ↘66 cm     | ↔256 cm ↓226 cm ↘66 cm     | ↔306 cm ↓226 cm ↘66 cm     | ↔356 cm ↓226 cm ↘66 cm     |             |             |
| Article  | PG                         | Price                      | <b>3184</b>                | <b>3185</b>                | <b>3186</b> | <b>3187</b> |

| PASSEPARTOUTS in carcse colour, measurements = wardrobe dimensions incl. passepartout frame. |                            |       |             |  |  |  |
|--|----------------------------|-------|-------------|--|--|--|
| without lighting   |                            |       |             |  |  |  |
|  | passepartout               |       |             |  |  |  |
|  | for hinged door robe 400cm |       |             |  |  |  |
|  | ↔406 cm ↓226 cm ↘66 cm     |       |             |  |  |  |
| Article  | PG                         | Price | <b>3188</b> |  |  |  |

| PASSEPARTOUTS in carcse colour, measurements = wardrobe dimensions incl. passepartout frame. |  |  |  |             |             |  |
|--|--|--|--|-------------|-------------|--|
| with lighting  |  |  |  |             |             |  |
|  | passepartout                             | passepartout                             | passepartout                             |             |             |  |
|  | for hinged door robe 200cm with lighting | for hinged door robe 250cm with lighting | for hinged door robe 300cm with lighting |             |             |  |
|  | ↔206 cm ↓226 cm ↘66 cm                   | ↔256 cm ↓226 cm ↘66 cm                   | ↔306 cm ↓226 cm ↘66 cm                   |             |             |  |
| Article  | PG                                       | Price                                    | <b>3194</b>                              | <b>3195</b> | <b>3196</b> |  |

Passepartout with lighting art. 3194-3196

This product contains a light source of the energy efficiency class G.

# ACCESSORIES 1.0

rauch BLACK

for hinged/sliding door wardrobes  
Element width 50, 60, 80, 90, 100, 120 cm



| Interior colour        | Colour code |
|------------------------|-------------|
| Oldenburg beech colour | Z3010       |
| Structure grey         | Z3011       |



Oldenburg beech colour



Structure grey

Supplier: Möbelwerke Mastershausen GmbH

# ACCESSORIES 1.0

rauch BLACK

for hinged/sliding door wardrobes

Element width 50, 60, 80, 90, 100, 120 cm

| Interior colour        | Colour code | PG |
|------------------------|-------------|----|
| Oldenburg beech colour | Z3010       | 1  |
| Structure grey         | Z3011       | 1  |

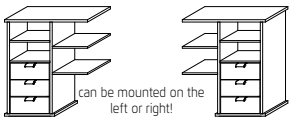
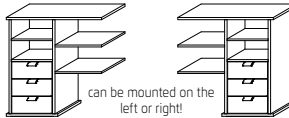
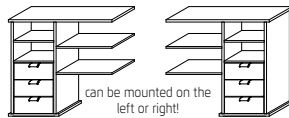
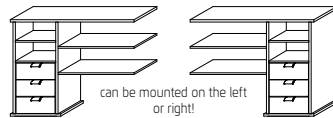
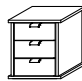
| ACCESSORIES |    |       | Shelves   |   |   |   |  |   |
|-------------|----|-------|---|---|---|---|--|---|
|             |    |       | 50  | 60  | 80  | 90  | 100  | 120   |
|             |    |       |   |   |   |   |  |   |
|             |    |       | Shelves<br>for unit width 50cm<br>↔48 cm †2,2 cm ↗50 cm | Shelves<br>for unit width 60cm<br>↔58 cm †2,2 cm ↗50 cm | Shelves<br>for unit width 80cm<br>↔78 cm †2,2 cm ↗50 cm | Shelves<br>for unit width 90cm<br>↔88 cm †2,2 cm ↗50 cm | Shelves<br>for unit width 100cm<br>↔98 cm †2,2 cm ↗50 cm | Shelves<br>for unit width 120 c<br>↔117 cm †2,2 cm ↗50 cm |
| Article     | PG | Price | <b>2055</b>   | <b>2056</b>   | <b>2057</b>   | <b>2170</b>   | <b>2058</b>  | <b>2059</b>   |
| Sets of 3   | PG | Price | <b>2155</b>   | <b>2156</b>   | <b>2157</b>   | <b>2171</b>   | <b>2158</b>  | <b>2159</b>   |

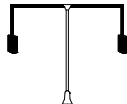
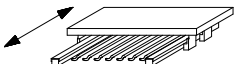
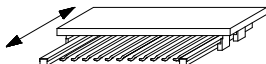
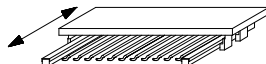
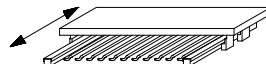
| ACCESSORIES |    |       | Clothes rails   |   |   |   |  |   |
|-------------|----|-------|---|---|---|---|--|---|
|             |    |       | 50  | 60  | 80  | 90  | 100  | 120   |
|             |    |       |   |   |   |   |  |   |
|             |    |       | hanging rail<br>for unit width 50cm<br>↔47 cm †3 cm ↗2 cm | hanging rail<br>for unit width 60cm<br>↔57 cm †3 cm ↗2 cm | hanging rail<br>for unit width 80cm<br>↔77 cm †3 cm ↗2 cm | hanging rail<br>for unit width 90cm<br>↔87 cm †3 cm ↗2 cm | hanging rail<br>for unit width 100cm<br>↔97 cm †3 cm ↗2 cm | hanging rail<br>for unit width 120 c<br>↔116 cm †3 cm ↗2 cm |
| Article     | PG | Price | <b>2011</b>   | <b>2012</b>   | <b>2017</b>   | <b>2172</b>   | <b>2013</b>  | <b>2014</b>   |

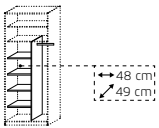
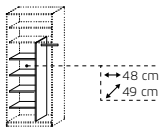
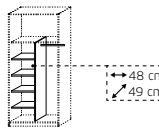
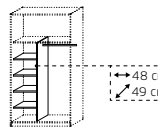
| ACCESSORIES  |  |  | Drawer unit   |   |   |   |  |   |
|--|--|--|---|---|---|---|--|---|
|  |  |  | 50  | 60  | 80  | 90  | 100  | 120   |
| All drawers are fitted with base rails and a cushioned self-closing mechanism. |  |  |   |   |   |   |  |   |
|  |  |  | interior drawer<br>with 3 drawers for unit width 50cm<br>↔48 cm †53 cm ↗50 cm | interior drawer<br>with 3 drawers for unit width 60cm<br>↔58 cm †53 cm ↗50 cm | interior drawer<br>with 3 drawers for unit width 80cm<br>↔79 cm †53 cm ↗50 cm | interior drawer<br>with 3 drawers for unit width 90cm<br>↔88 cm †53 cm ↗50 cm | interior drawer<br>with 3 drawers for unit width 100cm<br>↔98 cm †53 cm ↗50 cm | interior drawer<br>with 3 drawers for unit width 120 c<br>↔117 cm †53 cm ↗50 cm |
|  |  |  | Article   | PG  | Price   | <b>2070</b>   | <b>2071</b>  | <b>2069</b>   |

for hinged/sliding door wardrobes  
Element width 80, 90, 100, 120 cm

|                        |             |    |
|------------------------|-------------|----|
| Interior colour        | Colour code | PG |
| Oldenburg beech colour | Z3010       | 1  |
| Structure grey         | Z3011       | 1  |

| ACCESSORIES  |   |  | Drawer unit   |   |   |                 |             |
|--|---|--|---|---|---|-----------------|-------------|
| All drawers are fitted with base rails and a cushioned self-closing mechanism. | <b>80</b>   | <b>90</b>  | <b>100</b>  | <b>120</b>  | Suitable for all widths.  |                 |             |
|  |  |  |  |  |  |                 |             |
|  | interior drawer   | interior drawer  | interior drawer   | interior drawer   | interior drawer   | interior drawer |             |
|  | with 3 drawers with 3 shelves for unit width 80cm                                 | with 3 drawers with 3 shelves for unit width 90cm                                  | with 3 drawers with 3 shelves for unit width 100cm                                  | with 3 drawers with 3 shelves for unit width 120 c                                  | with 3 drawers  |                 |             |
| ↔79 cm ↓94 cm ↗50 cm   | ↔88 cm ↓94 cm ↗50 cm  | ↔98 cm ↓94 cm ↗50 cm   | ↔117 cm ↓94 cm ↗50 cm   | ↔48 cm ↓54 cm ↗50 cm  |   |                 |             |
| Article  | PG  | Price  | <b>2078</b>   | <b>2174</b>   | <b>2079</b>   | <b>2080</b>     | <b>2074</b> |

| ACCESSORIES   |   |   | Trousers pull-outs  |   |             |             | clothes lift |
|---|---|---|---|---|-------------|-------------|--------------|
| <b>80</b>   | <b>90</b>   | <b>100</b>  | <b>120</b>  | <b>80</b>   | <b>100</b>  | <b>120</b>  |              |
| 9 bars  | 13 bars   | 13 bars   | 17 bars   |  |             |             |              |
|  |  |  |  | Max. load: 10 kg<br>Only suitable for hinged door robes.                            |             |             |              |
| trouser pull-out  | trouser pull-out  | trouser pull-out  | trouser pull-out  | clothes lift  |             |             |              |
| with 1 shelf for unit width 80cm  | with 1 shelf for unit width 90cm  | with 1 shelf for unit width 100cm   | with 1 shelf for unit width 120 c   |   |             |             |              |
| ↔79 cm ↓11 cm ↗50 cm  | ↔88 cm ↓11 cm ↗50 cm  | ↔98 cm ↓11 cm ↗50 cm  | ↔117 cm ↓11 cm ↗50 cm   | ↔98 cm ↓120 cm ↗14 cm   |             |             |              |
| Article   | PG  | Price   | <b>2082</b>   | <b>2176</b>   | <b>2083</b> | <b>2084</b> | <b>2120</b>  |

| ACCESSORIES                         |   |   | Interior division „TYPE 1“  |   |             |             |
|-------------------------------------|---|---|---|---|-------------|-------------|
| can be mounted on the left or right | <b>80</b>   | <b>90</b>   | <b>100</b>  | <b>120</b>  |             |             |
|                                     |  |  |  |  |             |             |
|                                     | interior division   | interior division   | interior division   | interior division   |             |             |
|                                     | for unit width 80cm   | for unit width 90cm   | for unit width 100cm  | for unit width 120 c  |             |             |
| ↔79 cm ↓156 cm ↗49 cm               | ↔88 cm ↓156 cm ↗49 cm   | ↔98 cm ↓156 cm ↗49 cm   | ↔117 cm ↓156 cm ↗49 cm  |   |             |             |
| Article                             | PG  | Price   | <b>2049</b>   | <b>2175</b>   | <b>2050</b> | <b>2051</b> |

# ACCESSORIES 1.0

rauch BLACK

for hinged/sliding door wardrobes

Element width 80, 90, 100, 120 cm


| Interior colour        | Colour code | PG |
|------------------------|-------------|----|
| Oldenburg beech colour | Z3010       | 1  |
| Structure grey         | Z3011       | 1  |


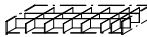
| ACCESSORIES                         |                                  |  | Interior division „TYPE 2“                |  |             |             |
|-------------------------------------|----------------------------------|--|---|--|-------------|-------------|
| can be mounted on the left or right | <b>80</b>                        | <b>90</b>                                | <b>100</b>                                | <b>120</b>                                 |             |             |
|                                     |                                  |  |   |  |             |             |
|                                     | interior division                | interior division                        | interior division                         | interior division                          |             |             |
|                                     | incl. 4 fabric boxes for unit 80 | incl. 4 fabric boxes for unit width 90cm | incl. 4 fabric boxes for unit width 100cm | incl. 4 fabric boxes for unit width 120 cm |             |             |
|                                     | ↔79 cm †156 cm ↗49 cm            | ↔88 cm †156 cm ↗49 cm                    | ↔98 cm †156 cm ↗49 cm                     | ↔117 cm †156 cm ↗49 cm                     |             |             |
| Article                             | PG                               | Price                                    | <b>2138</b>                               | <b>2139</b>                                | <b>2140</b> | <b>2141</b> |


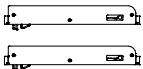
| ACCESSORIES |   |   | Interior division „TYPE 3“                     |  | Interior division „TYPE 4“ |             |
|-------------|---|---|--|--|----------------------------|-------------|
|             | <b>100</b>                                    | <b>120</b>                                    | <b>100</b>                                     | <b>120</b>                                     |                            |             |
|             |   |   |  |  |                            |             |
|             | interior division                             | interior division                             | interior division                              | interior division                              |                            |             |
|             | 3 drawers, 3 Clothes rails, Element width 100 | 3 drawers, 3 Clothes rails, Element width 120 | 3 drawers, 3 Shelf, 2 Clothes rails, Width 100 | 3 drawers, 3 Shelf, 2 Clothes rails, Width 120 |                            |             |
|             | ↔98 cm †156 cm ↗49 cm                         | ↔117 cm †156 cm ↗49 cm                        | ↔98 cm †156 cm ↗49 cm                          | ↔117 cm †156 cm ↗49 cm                         |                            |             |
| Article     | PG  | Price   | <b>2142</b>                                    | <b>2143</b>                                    | <b>2144</b>                | <b>2145</b> |

| ACCESSORIES                         |   |   | Interior division „TYPE 5“ |             |  |  |
|-------------------------------------|---|---|----------------------------|-------------|--|--|
| can be mounted on the left or right | <b>100</b>                                    | <b>120</b>                                    |                            |             |  |  |
|                                     |   |   |                            |             |  |  |
|                                     | interior division                             | interior division                             |                            |             |  |  |
|                                     | 3 drawers, 7 Shelf, 1 Clothes rail, Width 100 | 3 drawers, 7 Shelf, 1 Clothes rail, Width 120 |                            |             |  |  |
|                                     | ↔98 cm †156 cm ↗49 cm                         | ↔117 cm †156 cm ↗49 cm                        |                            |             |  |  |
| Article                             | PG  | Price   | <b>2146</b>                | <b>2147</b> |  |  |

|                        |             |    |
|------------------------|-------------|----|
| Interior colour        | Colour code | PG |
| Oldenburg beech colour | Z3010       | 1  |
| Structure grey         | Z3011       | 1  |

| ACCESSORIES   |  |   |   |
|---|--|---|---|
|  | Suitable for all widths.<br>for short (split) hinged doors | Suitable for all widths.<br>for long hinged doors | Suitable for all widths.<br>For hinged doors with inlay panel/horizontal handle |
|   | interior mirror  | interior mirror                                   | interior mirror   |
|   | ↔28 cm ↕128 cm ↗1 cm                                       | ↔30 cm ↕160 cm ↗1 cm                              | ↔30 cm ↕150 cm ↗1 cm  |
| Article   | PG   | Price   |   |
|   |  | <b>2117</b>                                       | <b>2118</b>   |
|   |  | <b>2119</b>                                       | <b>2001</b>   |

| ACCESSORIES   |               |                      | Cupboard extras   |   |
|---|---------------|----------------------|---|---|
|  | tie rack      | trouser holder       |  |   |
|   | ↔33 cm ↕33 cm | ↔25 cm ↕10 cm ↗46 cm |   | interior division<br>for drawer 120 cm plexiglass |
|   | Article       | PG                   |   | Price   |
|   |               | <b>0003</b>          | <b>0007</b>   |   |
|   |               |                      | <b>2148</b>   |   |

| ACCESSORIES   |   |   |   |
|---|---|---|---|
| Door dampers rauch EASY SLIDE   |   |   |   |
|  |  | Installation not possible on wardrobes with front lighting. | Installation not possible on wardrobes with front lighting. |
|   |   | damper for middle door EASY SLIDE                           | Collision dampers EASY SLIDE                                |
|   |   | of 2-4 door sliding door wardrobes                          | of 2 door Sliding door wardrobes                            |
| ↔5 cm ↕2 cm ↗27 cm  | ↔4 cm ↕2 cm ↗28 cm  | ↔6 cm ↕11 cm ↗11 cm   |   |
| Article   | PG  | Price   |   |
|   |   | <b>2182</b>   | <b>2183</b>   |
|   |   |   | <b>2180</b>   |

# ACCESSORIES 1.0

rauch BLACK

for hinged/sliding door wardrobes

General

| Interior colour        | Colour code | PG |
|------------------------|-------------|----|
| Oldenburg beech colour | Z3010       | 1  |
| Structure grey         | Z3011       | 1  |


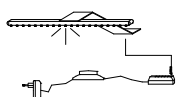

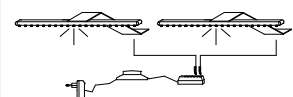

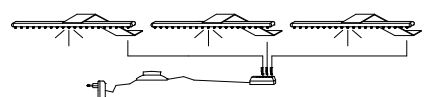
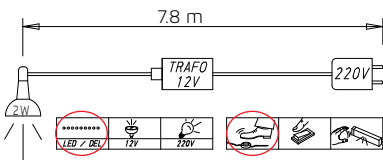
| ACCESSORIES                          |                         |                       |                         |                              |             |   |                      |
|--------------------------------------|-------------------------|-----------------------|-------------------------|------------------------------|-------------|---|----------------------|
| for angled elements and corner robes | Not for Casante modell! |                       |                         |                              |             | Only to be mounted in conjunction with a laundry shelf! |                      |
|                                      |                         |                       |                         |                              |             |   |                      |
|                                      | shelf                   | 1 shelf               | 1 shelf                 | hanging rail                 |             |   | utensil rack         |
|                                      | angled                  | for corner robe 45°   | for corner robe 90°     | set of 2 for corner robe 90° |             |   | for corner robe 45°  |
|                                      | ↔45 cm ↓2,2 cm ↗50 cm   | ↔98 cm ↓2,2 cm ↗50 cm | ↔111 cm ↓2,2 cm ↗111 cm | ↔3 cm ↓85 cm ↗85 cm          |             |   | ↔34 cm ↓85 cm ↗13 cm |
| Article                              | PG                      | Price                 | <b>2052</b>             | <b>2053</b>                  | <b>2054</b> | <b>2018</b>   | <b>0008</b>          |


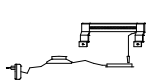

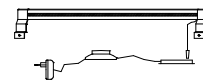

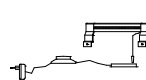

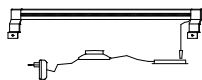

| ACCESSORIES |                     |                     | Interior lighting   |                     |                      |                       |                 |             |
|-------------|---------------------|---------------------|---------------------|---------------------|----------------------|-----------------------|-----------------|-------------|
|             |                     |                     |                     |                     |                      |                       |                 |             |
|             | interior lights     | interior lights     | interior lights     | interior lights     | interior lights      | interior lights       | interior lights |             |
|             | for unit width 50cm | for unit width 60cm | for unit width 80cm | for unit width 90cm | for unit width 100cm | for unit width 120 cm |                 |             |
|             | ↔3 cm ↓2 cm ↗50 cm  | ↔3 cm ↓2 cm ↗60 cm  | ↔3 cm ↓2 cm ↗80 cm  | ↔3 cm ↓2 cm ↗80 cm  | ↔3 cm ↓2 cm ↗100 cm  | ↔3 cm ↓2 cm ↗120 cm   |                 |             |
| Article     | PG                  | Price               | <b>2060</b>         | <b>2062</b>         | <b>2063</b>          | <b>2178</b>           | <b>2061</b>     | <b>2064</b> |


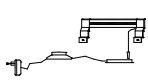

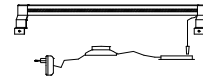

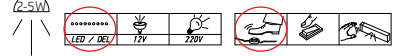
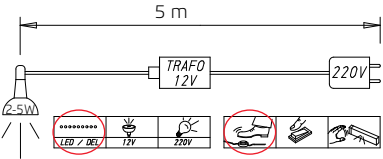
| ACCESSORIES |                     |       | Interior lighting  |  |                            |  |
|-------------|---------------------|-------|--|--|----------------------------|--|
|             |                     |       | Int. light. Art. 0067  |  | Int. light. Art. 2060-2064 |  |
|             | interior lights     |       |  |  |                            |  |
|             | with motion sensor  |       |  |  |                            |  |
|             | ↔10 cm ↓2 cm ↗10 cm |       |  |  | 6 m                        |  |
| Article     | PG                  | Price | <b>0067</b>  |  |                            |  |
|             |                     |       | This product contains a light source of the energy efficiency class F. |  |                            |  |



|                        |             |    |
|------------------------|-------------|----|
| Interior colour        | Colour code | PG |
| Oldenburg beech colour | Z3010       | 1  |
| Structure grey         | Z3011       | 1  |

| ACCESSORIES  |  | Lighting mounted on the wardrobe  |  |   |             |
|--|--|---|--|---|-------------|
| <p>* Note: not suitable for sliding door wardrobes</p>  | <p>*</p>  | <p>*</p>   | <p>*</p>   |                |             |
|  | set of 1 LED light   | set of 2 LED lights   | set of 3 LED lights  | <p>This product contains a light source of the energy efficiency class G.</p> <p>EPREL 766530</p> |             |
|  | aluminium Carree*  | aluminium Carree*   | aluminium Carree*  |   |             |
|  | ↔16 cm ↓4 cm ↗33 cm  | ↔16 cm ↓4 cm ↗33 cm   | ↔16 cm ↓4 cm ↗33 cm  |   |             |
| Article  | PG   | Price   | <b>2191</b>  | <b>2192</b>   | <b>2193</b> |

| ACCESSORIES   |   | Lighting mounted on the wardrobe  |   |   |   |             |
|---|---|---|---|---|---|-------------|
|  |  |   |   |   |  |             |
|   | set of 1 LED light  | set of 1 LED light  | set of 1 LED light  | set of 1 LED light  |   |             |
|   | chrome Linea 50   | chrome Linea 100  | aluminium Linea 50  | aluminium Linea 100   |   |             |
|   | ↔50 cm ↓7 cm ↗14 cm   | ↔100 cm ↓7 cm ↗14 cm  | ↔50 cm ↓7 cm ↗14 cm   | ↔100 cm ↓7 cm ↗14 cm  |   |             |
| Article   | PG  | Price   | <b>1266</b>   | <b>1267</b>   | <b>1264</b>   | <b>1265</b> |

| ACCESSORIES   |   | Lighting mounted on the wardrobe  |   |   |  |
|---|---|---|---|---|--|
|  |  |   |   |              |  |
|   | set of 1 LED light  | set of 1 LED light  |   | <p>This product contains a light source of the energy efficiency class E.</p> <p>EPREL 766774</p> |  |
|   | black Linea 50  | black Linea 100   |   |   |  |
|   | ↔50 cm ↓7 cm ↗14 cm   | ↔100 cm ↓7 cm ↗14 cm  |   |   |  |
| Article   | PG  | Price   | <b>1262</b>   | <b>1263</b>   |  |

# ACCESSORIES 1.0

rauch BLACK

for beds

General

| Interior colour        | Colour code | PG |
|------------------------|-------------|----|
| Oldenburg beech colour | Z3010       | 1  |
| Structure grey         | Z3011       | 1  |

| ACCESSORIES   |                     |                    | Suitable for all beds, Width 70 cm |             |  |
|---|---------------------|--------------------|------------------------------------|-------------|--|
| <p>Clip-on padding is attached to the upper edge of the sides of the bed.</p> <p>Faux leather in a choice of basalt or cream.</p> |                     |                    |                                    |             |  |
|   | bed edge padding    | bed edge padding   |                                    |             |  |
|   | basalt faux leather | cream faux leather |                                    |             |  |
|   | ↔7 cm ↕8 cm ↗70 cm  | ↔7 cm ↕8 cm ↗70 cm |                                    |             |  |
| Article   | PG                  | Price              | <b>9030</b>                        | <b>9038</b> |  |

| ACCESSORIES   |                     |                     | Suitable for all beds, Width 130 cm |             |  |
|---|---------------------|---------------------|-------------------------------------|-------------|--|
| <p>Clip-on padding is attached to the upper edge of the sides of the bed.</p> <p>Faux leather in a choice of basalt or cream.</p> |                     |                     |                                     |             |  |
|   | bed edge padding    | bed edge padding    |                                     |             |  |
|   | basalt faux leather | cream faux leather  |                                     |             |  |
|   | ↔7 cm ↕8 cm ↗130 cm | ↔7 cm ↕8 cm ↗130 cm |                                     |             |  |
| Article   | PG                  | Price               | <b>9035</b>                         | <b>9039</b> |  |

| ACCESSORIES |                    |                    | Dampers for drawers |             | Lighting for beds   |
|-------------|--------------------|--------------------|---------------------|-------------|---|
| for beds    | for single beds    | for double beds    |                     |             | <p>This product contains a light source of the energy efficiency class G.</p> |
|             |                    |                    |                     |             |   |
|             | bed drawer damper  | bed drawer damper  |                     |             |   |
|             | ↔2 cm ↕1 cm ↗15 cm | ↔2 cm ↕1 cm ↗15 cm |                     |             |   |
| Article     | PG                 | Price              | <b>2201</b>         | <b>2200</b> | <b>2009</b>   |