

FELINO

valid from 01.06.2022

GW-Export UK



GWINNER®

Table of contents

| | | |
|--|-------------|--------------|
| Finishes | Page | 4 |
| Product information and ordering information | Page | 5-7 |
| Combinations | Page | 8-17 |
| Planning system for individual models | Page | 18-24 |
| Recommended coffee tables, dining tables, chairs and benches | Page | 25 |
| Accessories (lighting, shelves, etc.) | Page | 26-27 |

Customer services:

Sales:

You can call us:

Mon to Fri 8 a.m. – 5 p.m. Tel. +49 (0)7445 183 0

Planning information:

You can call us:

Mon to Fri 8 a.m. – 5 p.m. Tel. +49 (0)7445 183 370
Fax +49 (0)7445 183 399

Website:

www.gwinner.de

Price group 1

Front and carcase

White, taupe, fango or anthracite matt silk lacquer

Panels

White, taupe, fango or anthracite matt silk lacquer

Concrete or rust-effect look

Price group 2

Front and carcase

White, taupe, fango or anthracite matt silk lacquer

Panels

Honey oak timber or natural knotty walnut

Planning information for display-unit rear panels in a contrast finish:

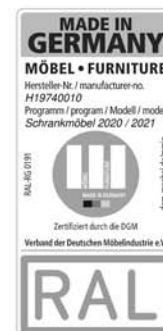
If display-unit rear panels are required in a different finish to the carcase, e.g. a different lacquer finish, concrete or rust-effect look, or veneer, they must be ordered and charged separately.

The colour and wood finishes have been specifically created for Gwinner products and can therefore not be found in any standard. The colour samples provide an approximate reproduction and serve only as a guide.

Product information

Felino has been awarded the DGM mark of quality by the German Furniture Quality Association

Country of manufacture: Germany



Materials used:

The fronts are made from 19-mm-thick MDF panels in all lacquer finishes. Sides, shelves, panels and rear panels are made from chipboard. Visible surfaces are lacquered. Veneered or lacquered panels are 33-mm thick, and rear panels are 5-mm thick.

The drawers are mounted on soft-close, cushioned partial-extension Quadro runners, and have been tested 40,000 times.

Doors and glass doors are mounted on nickel-plated, three-way adjusting, fast-assembly metal cup hinges, which have been tested 40,000 times. It is guaranteed that functionally compatible replacement parts will be available for all wear parts for at least five years.

Display-unit doors and panel shelves are made from parasol grey float glass, glass shelves are made from clear float glass.

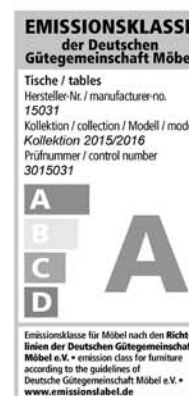
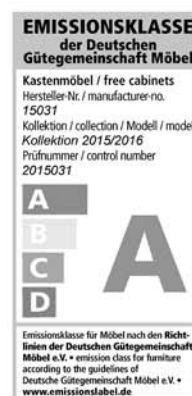
Load-bearing capacity:



Base-elements drawers have a load-bearing capacity of 15 kg; all other drawers have a load-bearing capacity of 10 kg when loaded evenly. Wooden shelves have a load-bearing capacity of 15 kg; glass shelves have a load-bearing capacity of 10 kg; additional information relating to load-bearing capacity can be found on the relevant elements.

Home hygiene:

Felino meets the requirements for a healthy home environment, it has been tested for harmful substances in accordance with the RAL-GZ 430/1-1 standard from the RAL Deutsches Institut für Gütesicherung und Kennzeichnung (RAL German Institute for Quality Assurance and Certification).



Care instructions:

Wipe with a dry duster or a slightly damp cloth. The lacquers used are highly resistant to abrasion in accordance with DIN 68861.

Electrics:

All lighting elements and connection cables are VDE-tested.

Energy usage:



The LED lights used correspond to the energy classes **A**** to **A** on a scale of **A**** (most efficient) to **E** (least efficient). The bulbs in the LED lights cannot be replaced.

Subject to errors, as well as design, colour and material modifications as part of technical progress.

Product information

Quality features:

All visible carcass parts are lacquered on the outside and inside.

The drawers are mounted on soft-close, partial-extension Quadro runners. Soft-close full-extension runners are available at a surcharge.

The all-metal clip-on hinges are adjustable in three directions. All doors are soft-closing as standard.

Veneer features:

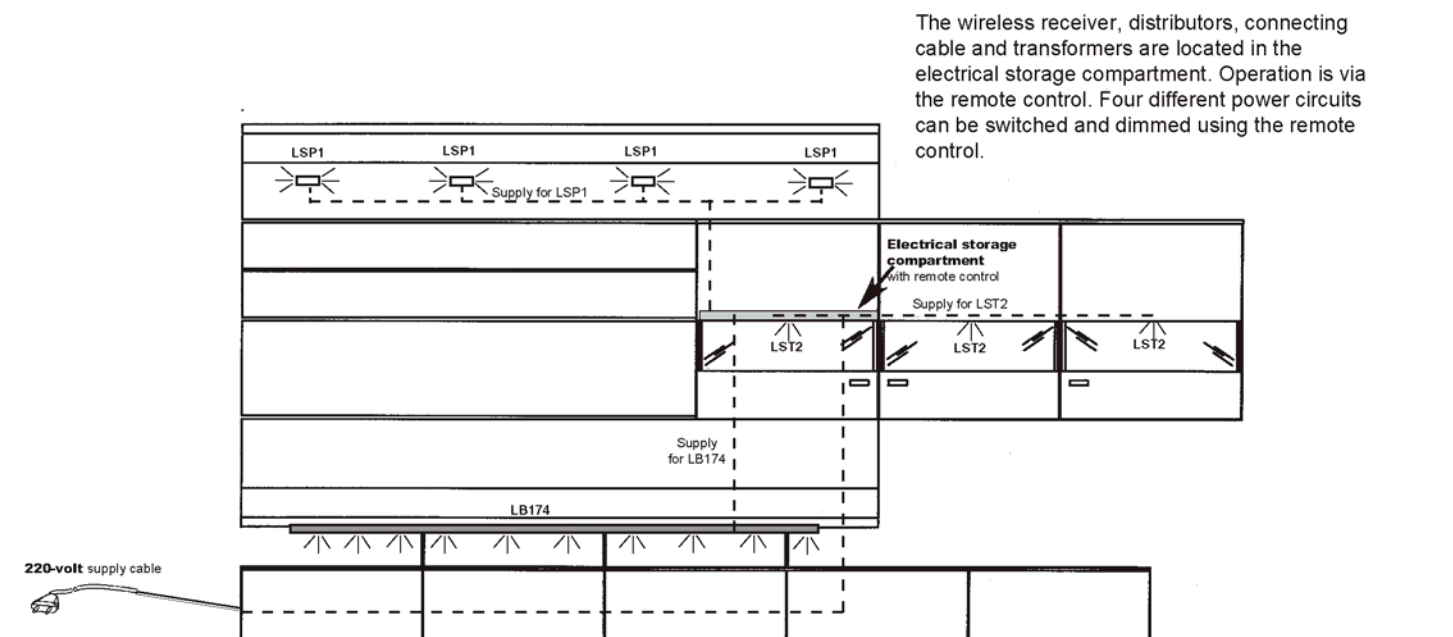
Please note that every piece of precious veneer is unique and can vary widely from one veneer trunk to another by its very nature. Despite our veneer specialists taking the greatest care, variations from brochure illustrations and unit samples cannot be ruled out.

For oak timber and knotty walnut, veneers with cracks and knots are purposely chosen and filled to be darker. Only this time-consuming process gives the panels and display-unit rear panels their desired natural character. We would like to expressly state that these growth and processing characteristics are desired features on the Felino and they increase the value by being unique, and cannot therefore be seen as a quality defect.

Electrical installation:

The following drawing offers a schematic view of the electrical installation positions and routing. The illustrations of the wiring, lighting and electrical storage compartment are only symbolic and are not to scale. Except for the cable duct, the wiring shown is on the rear of the elements.

A white, paintable cable duct is supplied to optimise the cable routing between the base element and wall units or angled shelf. The cable duct can be glued or screwed to the wall. Depending on the cable cross-section, one to three cables can be laid in the duct.



Planning and ordering information

Felino can be configured in any way using the planning programme



Only the current type list applies for price, dimensions and design information.

Have you included everything in your plan?

The following information is required for the Felino:

- **The lacquer colour for front and carcass**
- **The finish for the panels and display-unit rear panels**
- **Positioning sequence or sketch for freely designed configurations**
- **Accessories and lighting, if required**

- **Send orders via e-mail to: auftrag@gwinner.de**

! When including lighting, we recommend using the electrical storage compartment with radio remote control. As a result, all transformers, connectors and distributors are neatly stored away but are still easily accessible; all lighting can be operated using the remote control.

Please note that the delivery time may be extended if an order is unclear or incomplete. Please ensure you provide all details when placing your order to enable us to process your order quickly and correctly.

Options for varying wall combinations

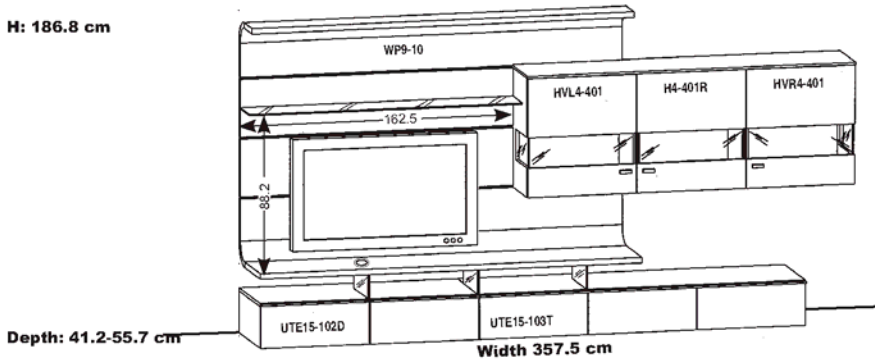
- Wall combinations can be extended by incorporating additional elements. The order in which elements are positioned can be changed or reversed at no extra cost.
- For a **single** modification charge of any number of parts from a wall combination can be exchanged with parts from the type list.
- If the price of the new type/types is higher, the difference in element price must be added to the modification charge. Lower prices will not be refunded.

When ordering, please specify the order number of the wall combination on which your order is based. This number enables us to process the requested modifications.

Wall combinations with low base elements (1.5 increments) Prices excluding lighting and accessories

Dimensions in cm directly beside the corresponding picture.

H: 186.8 cm



Order no. FE1 (as shown) FE1-SV (mirror-image)
 PG 1
 PG 2

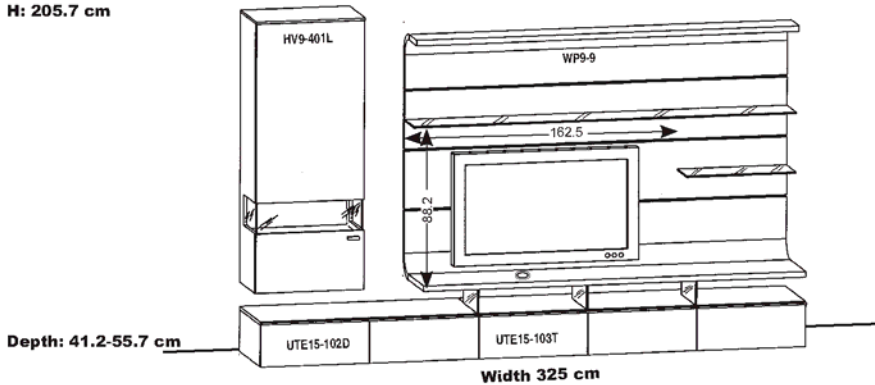
Recommended accessories: each

| Lighting | |
|---------------------------------------|--------|
| 3 LED spotlights for display units | LST2 |
| 1 LED light for TV niche | LB174 |
| 4 LED lights for panels | LSP1 |
| 1 transformer, 30 watt | LEVG30 |
| El. storage comp. with remote control | LES65F |

| General accessories | |
|---|--------|
| 5 full-extension runners for base el. | VZ500 |
| 1-5 organisers for base element | OET65 |
| 3 display-unit rear panels in contrast finish | RW2-65 |

For article descriptions and information about energy classes, see Accessories on p. 26-27

H: 205.7 cm



Order no. FE2 (as shown) FE2-SV (mirror-image)
 PG 1
 PG 2

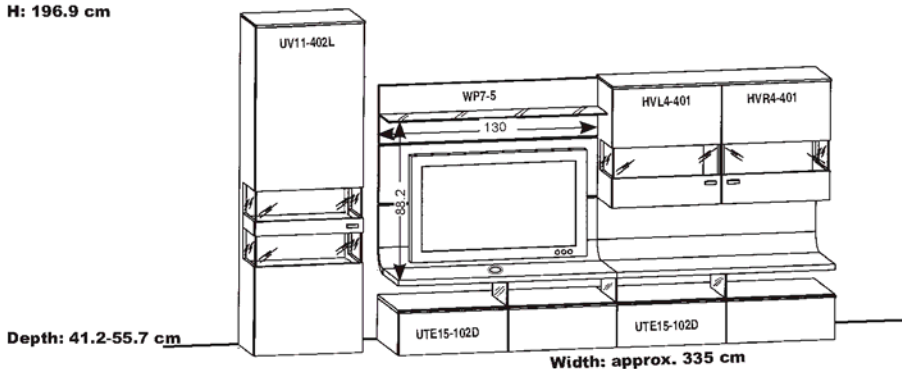
Recommended accessories: each

| Lighting | |
|---------------------------------------|--------|
| 1 LED spotlight for display unit | LST2 |
| 1 LED light for TV niche | LB174 |
| 4 LED lights for panels | LSP1 |
| 1 transformer, 15 watt | LEVG15 |
| El. storage comp. with remote control | LES65F |

| General accessories | |
|--|--------|
| 5 full-extension runners for base el. | VZ500 |
| 1-5 organisers for base element | OET65 |
| 1 display-unit rear panel in contrast finish | RW2-65 |

For article descriptions and information about energy classes, see Accessories on p. 26-27

H: 196.9 cm



Order no. FE3 (as shown) FE3-SV (mirror-image)
 PG 1
 PG 2

Recommended accessories: each

| Lighting | |
|---------------------------------------|--------|
| 4 LED spotlights for display units | LST2 |
| 2 LED lights for TV niche | LB114 |
| 1 transformer, 30 watt | LEVG30 |
| El. storage comp. with remote control | LES65F |

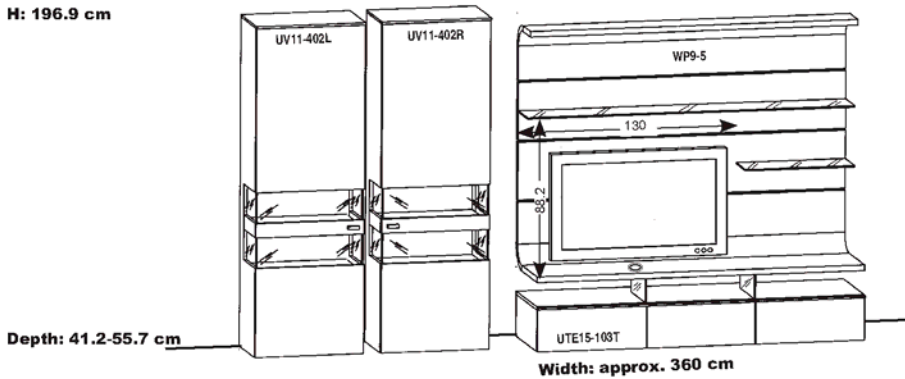
| General accessories | |
|---|---------|
| 4 full-extension runners for base el. | VZ500 |
| 1-4 organisers for base element | OET65 |
| 2 display-unit rear panels in contrast finish | RW2-65 |
| 2 display-unit rear panels in contrast finish | RW15-65 |

For article descriptions and information about energy classes, see Accessories on p. 26-27

Wall combinations with low base elements (1.5 increments) Prices excluding lighting and accessories

Dimensions in cm directly beside the corresponding picture.

H: 196.9 cm



Order no. FE7 (as shown) FE7-SV (mirror-image)
PG 1
PG 2

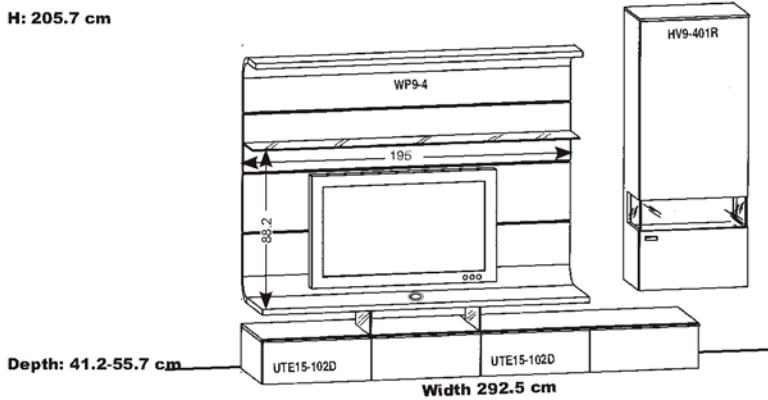
Recommended accessories: each

| Lighting | |
|---------------------------------------|--------|
| 4 LED spotlights for display units | LST2 |
| 1 LED light for TV niche | LB174 |
| 3 LED lights for panels | LSP1 |
| 1 transformer, 30 watt | LEVG30 |
| El. storage comp. with remote control | LES65F |

| General accessories | |
|---|---------|
| 3 full-extension runners for base el. | VZ500 |
| 1-3 organisers for base element | OET65 |
| 4 display-unit rear panels in contrast finish | RW15-65 |

For article descriptions and information about energy classes, see Accessories on p. 26-27

H: 205.7 cm



Order no. FE9 (as shown) FE9-SV (mirror-image)
PG 1
PG 2

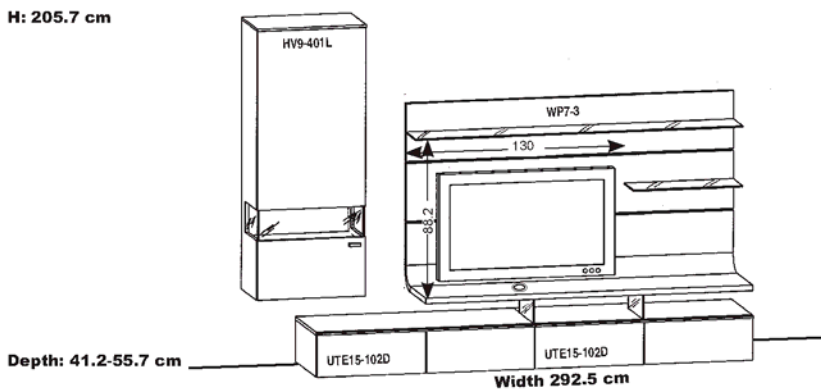
Recommended accessories: each

| Lighting | |
|---------------------------------------|--------|
| 1 LED spotlight for display unit | LST2 |
| 1 LED light for TV niche | LB174 |
| 3 LED lights for panels | LSP1 |
| 1 transformer, 15 watt | LEVG15 |
| El. storage comp. with remote control | LES65F |

| General accessories | |
|--|--------|
| 4 full-extension runners for base el. | VZ500 |
| 1-4 organisers for base element | OET65 |
| 1 display-unit rear panel in contrast finish | RW2-65 |

For article descriptions and information about energy classes, see Accessories on p. 26-27

H: 205.7 cm



Order no. FE10 (as shown) FE10-SV (mirror-image)
PG 1
PG 2

Recommended accessories: each

| Lighting | |
|---------------------------------------|--------|
| 1 LED spotlight for display unit | LST2 |
| 1 LED light for TV niche | LB174 |
| 1 transformer, 15 watt | LEVG15 |
| El. storage comp. with remote control | LES65F |

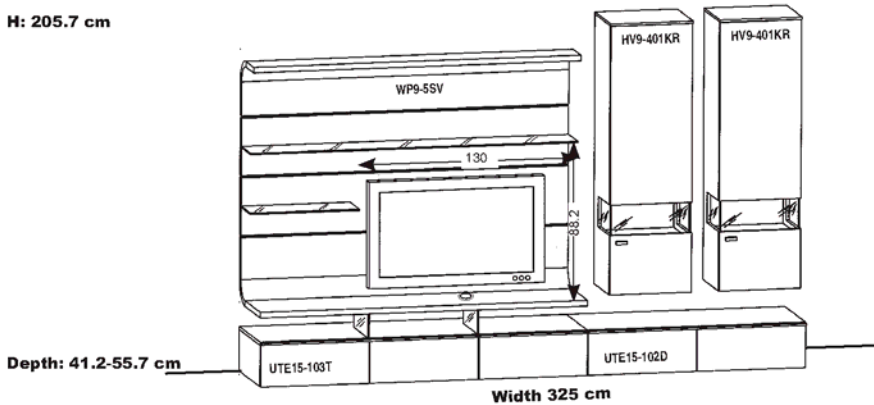
| General accessories | |
|--|--------|
| 4 full-extension runners for base el. | VZ500 |
| 1-4 organisers for base element | OET65 |
| 1 display-unit rear panel in contrast finish | RW2-65 |

For article descriptions and information about energy classes, see Accessories on p. 26-27

Wall combinations with low base elements (1.5 increments) Prices excluding lighting and accessories

Dimensions in cm directly beside the corresponding picture.

H: 205.7 cm



Order no. FE13 (as shown) FE13-SV (mirror-image)
PG 1
PG 2

Recommended accessories: each

Lighting

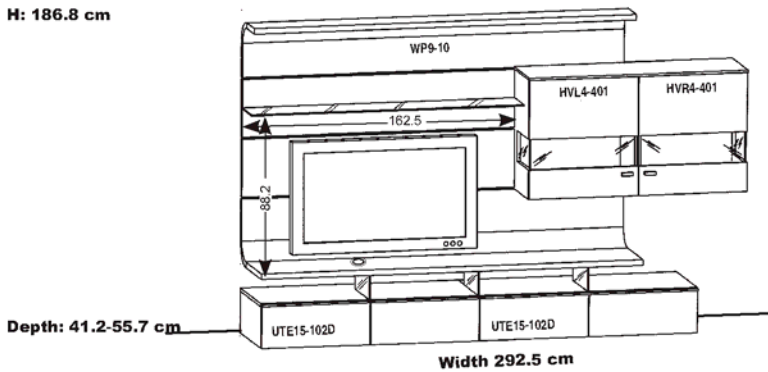
| | |
|---------------------------------------|--------|
| 2 LED spotlights for display units | LST2 |
| 1 LED light for TV niche | LB174 |
| 3 LED lights for panels | LSP1 |
| 1 transformer, 30 watt | LEVG30 |
| EI. storage comp. with remote control | LES49F |

General accessories

| | |
|---|--------|
| 5 full-extension runners for base el. | VZ500 |
| 1-5 organisers for base element | OET65 |
| 2 display-unit rear panels in contrast finish | RW2-49 |

For article descriptions and information about energy classes, see Accessories on p. 26-27

H: 186.8 cm



Order no. FE18 (as shown) FE18-SV (mirror-image)
PG 1
PG 2

Recommended accessories: each

Lighting

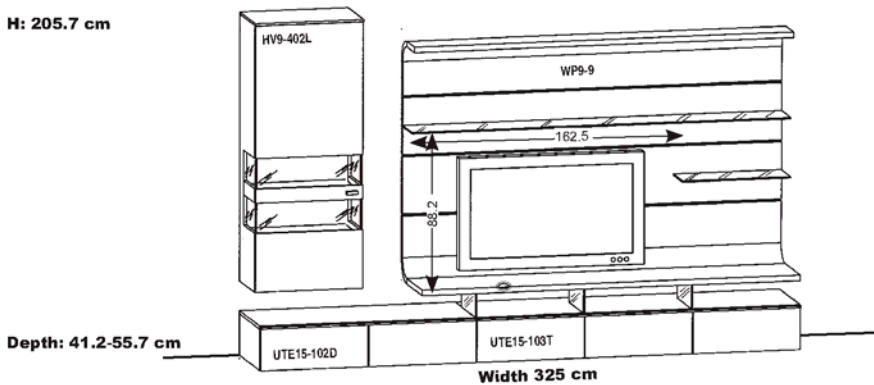
| | |
|---------------------------------------|--------|
| 2 LED spotlights for display units | LST2 |
| 1 LED light for TV niche | LB174 |
| 4 LED lights for panels | LSP1 |
| 1 transformer, 15 watt | LEVG15 |
| EI. storage comp. with remote control | LES65F |

General accessories

| | |
|---|--------|
| 4 full-extension runners for base el. | VZ500 |
| 1-4 organisers for base element | OET65 |
| 2 display-unit rear panels in contrast finish | RW2-65 |

For article descriptions and information about energy classes, see Accessories on p. 26-27

H: 205.7 cm



Order no. FE20 (as shown) FE20-SV (mirror-image)
PG 1
PG 2

Recommended accessories: each

Lighting

| | |
|---------------------------------------|--------|
| 2 LED spotlights for display units | LST2 |
| 1 LED light for TV niche | LB174 |
| 4 LED lights for panels | LSP1 |
| 1 transformer, 15 watt | LEVG15 |
| EI. storage comp. with remote control | LES65F |

General accessories

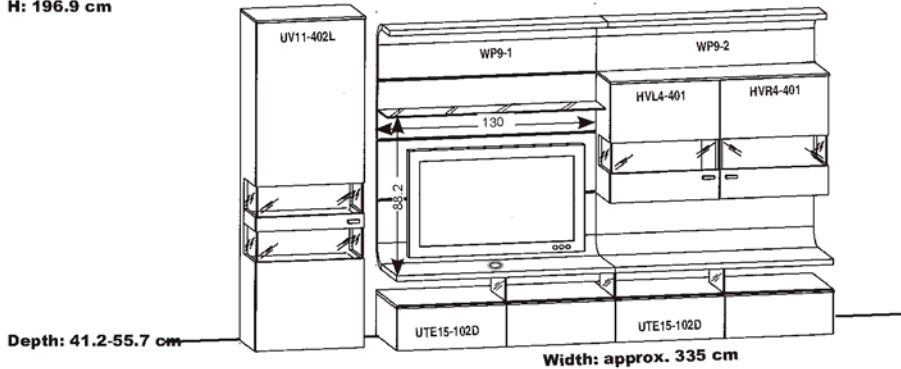
| | |
|---|---------|
| 5 full-extension runners for base el. | VZ500 |
| 1-5 organisers for base element | OET65 |
| 2 display-unit rear panels in contrast finish | RW15-65 |

For article descriptions and information about energy classes, see Accessories on p. 26-27

Wall combinations with low base elements (1.5 increments) Prices excluding lighting and accessories

Dimensions in cm directly beside the corresponding picture.

H: 196.9 cm



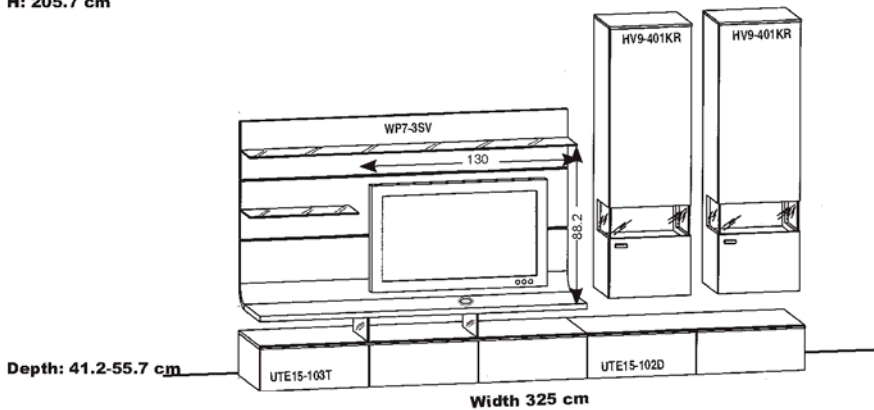
Order no. FE26 (as shown) FE26-SV (mirror-image)
 PG 1
 PG 2

Recommended accessories: each

| Lighting | |
|---|---------|
| 4 LED spotlights for display units | LST2 |
| 2 LED lights for TV niche | LB114 |
| 4 LED lights for panels | LSP1 |
| 1 transformer, 30 watt | LEVG30 |
| El. storage comp. with remote control | LES65F |
| General accessories | |
| 4 full-extension runners for base el. | VZ500 |
| 1-4 organisers for base element | OET65 |
| 2 display-unit rear panels in contrast finish | RW2-65 |
| 2 display-unit rear panels in contrast finish | RW15-65 |

For article descriptions and information about energy classes, see Accessories on p. 26-27

H: 205.7 cm



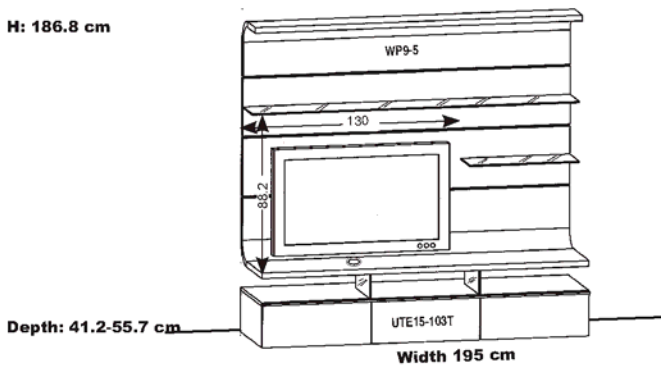
Order no. FE31 (as shown) FE31-SV (mirror-image)
 PG 1
 PG 2

Recommended accessories: each

| Lighting | |
|---------------------------------------|--------|
| 2 LED spotlights for display units | LST2 |
| 1 LED light for TV niche | LB174 |
| 1 transformer, 15 watt | LEVG15 |
| El. storage comp. with remote control | LES49F |
| General accessories | |
| 5 full-extension runners for base el. | VZ500 |
| 1-5 organisers for base element | OET65 |
| 2 veneered display-unit rear panels | RW2-49 |

For article descriptions and information about energy classes, see Accessories on p. 26-27

H: 186.8 cm



Order no. FE32 (as shown) FE32-SV (mirror-image)
 PG 1
 PG 2

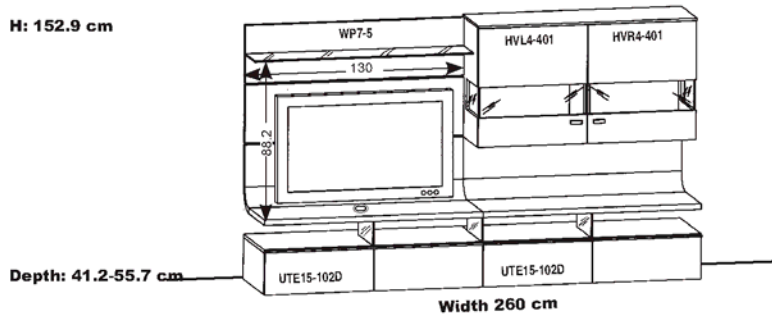
Recommended accessories: each

| Lighting | |
|---------------------------------------|--------|
| 1 LED light for TV niche | LB174 |
| 3 LED lights for panels | LSP1 |
| 1 transformer, 15 watt | LEVG15 |
| 1 remote control | FKS4 |
| General accessories | |
| 3 full-extension runners for base el. | VZ500 |
| 1-3 organisers for base element | OET65 |

For article descriptions and information about energy classes, see Accessories on p. 26-27

Wall combinations with low base elements (1.5 increments) Prices excluding lighting and accessories

Dimensions in cm directly beside the corresponding picture.



Order no. FE35 (as shown) FE35-SV (mirror-image)
 PG 1
 PG 2

Recommended accessories: each

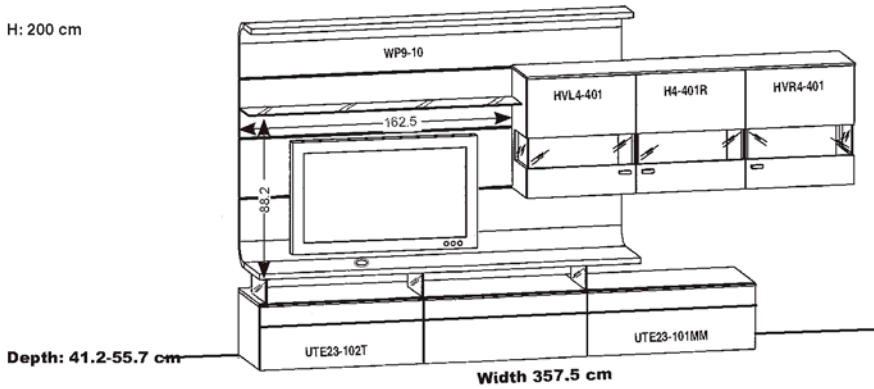
| Lighting | |
|---|--------|
| 2 LED spotlights for display units | LST2 |
| 2 LED lights for TV niche | LB114 |
| 1 transformer, 15 watt | LEVG15 |
| EI. storage comp. with remote control | LES65F |
| General accessories | |
| 4 full-extension runners for base el. | VZ500 |
| 1-4 organisers for base element | OET65 |
| 2 display-unit rear panels in contrast finish | RW2-65 |

For article descriptions and information about energy classes, see Accessories on p. 26-27

Wall combinations with tall base elements (2.3 increments) Prices excluding lighting and accessories

Dimensions in cm directly beside the corresponding picture.

H: 200 cm



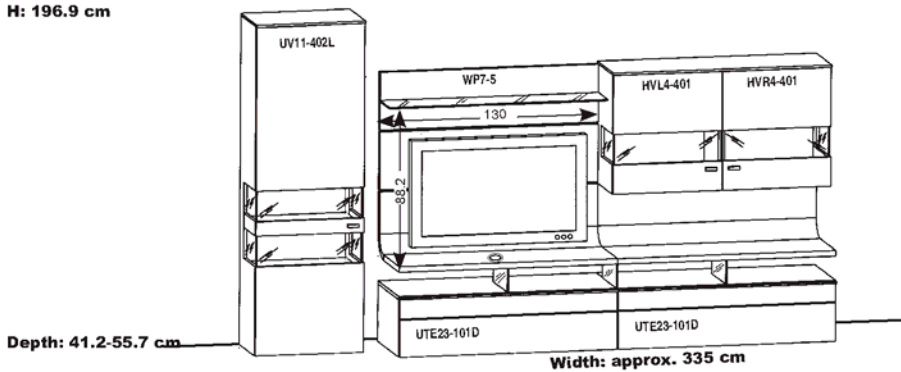
Order no. FE201 (as shown) FE201-SV (mirror-image)
 PG 1
 PG 2

Recommended accessories: each

| Lighting | |
|---|--------|
| 3 LED spotlights for display units | LST2 |
| 1 LED light for TV niche | LB174 |
| 4 LED lights for panels | LSP1 |
| 1 transformer, 30 watt | LEVG30 |
| El. storage comp. with remote control | LES65F |
| General accessories | |
| 3 full-extension runners for base el. | VZ500 |
| 1-3 organisers for base element | ET2-98 |
| 3 display-unit rear panels in contrast finish | RW2-65 |

For article descriptions and information about energy classes, see Accessories on p. 26-27

H: 196.9 cm



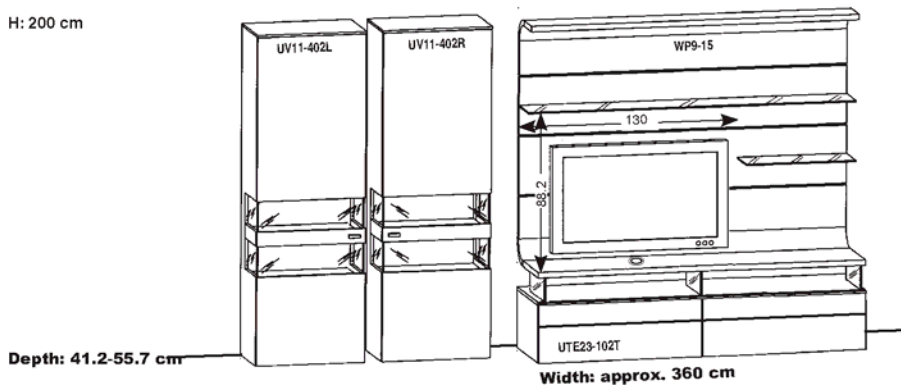
Order no. FE203 (as shown) FE203-SV (mirror-image)
 PG 1
 PG 2

Recommended accessories: each

| Lighting | |
|---|---------|
| 4 LED spotlights for display units | LST2 |
| 2 LED lights for TV niche | LB114 |
| 1 transformer, 30 watt | LEVG30 |
| El. storage comp. with remote control | LES65F |
| General accessories | |
| 4 full-extension runners for base el. | VZ500 |
| 1-4 organisers for base element | ET2-65 |
| 2 display-unit rear panels in contrast finish | RW15-65 |
| 2 display-unit rear panels in contrast finish | RW2-65 |

For article descriptions and information about energy classes, see Accessories on p. 26-27

H: 200 cm



Order no. FE207 (as shown) FE207-SV (mirror-image)
 PG 1
 PG 2

Recommended accessories: each

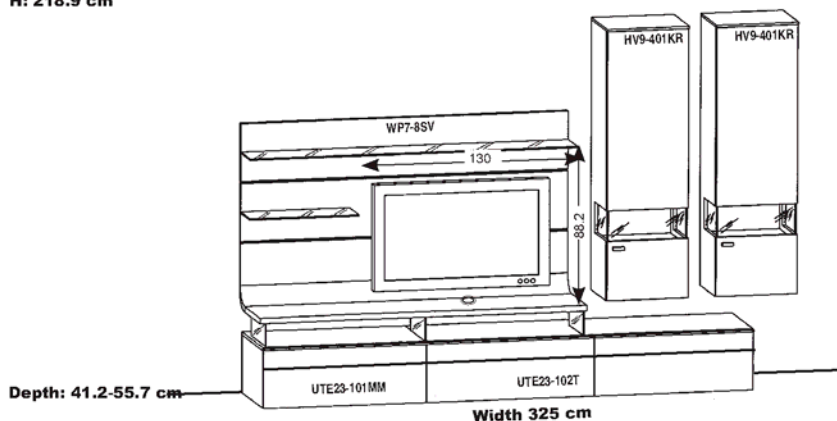
| Lighting | |
|---|---------|
| 4 LED spotlights for display units | LST2 |
| 1 LED light for TV niche | LB174 |
| 3 LED lights for panels | LSP1 |
| 1 transformer, 30 watt | LEVG30 |
| El. storage comp. with remote control | LES65F |
| General accessories | |
| 2 full-extension runners for base el. | VZ500 |
| 1-2 organisers for base element | ET2-98 |
| 4 display-unit rear panels in contrast finish | RW15-65 |

For article descriptions and information about energy classes, see Accessories on p. 26-27

Wall combinations with tall base elements (2.3 increments) Prices excluding lighting and accessories

Dimensions in cm directly beside the corresponding picture.

H: 218.9 cm



Order no. FE231 (as shown) FE231-SV (mirror-image)
 PG 1
 PG 2

Recommended accessories: each

Lighting

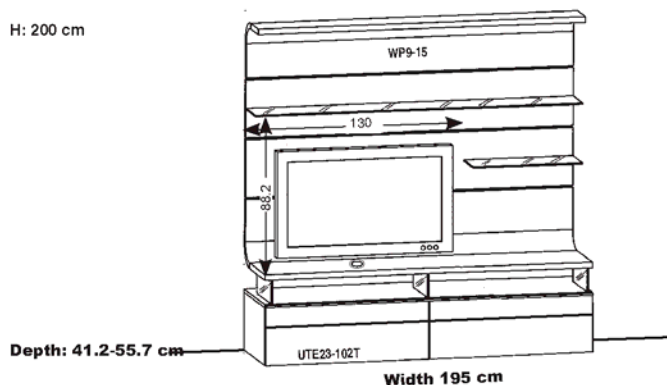
| | |
|---------------------------------------|--------|
| 2 LED spotlights for display units | LST2 |
| 1 LED light for TV niche | LB174 |
| 1 transformer, 15 watt | LEVG15 |
| El. storage comp. with remote control | LES49F |

General accessories

| | |
|---|--------|
| 3 full-extension runners for base el. | VZ500 |
| 1-3 organisers for base element | ET2-98 |
| 2 display-unit rear panels in contrast finish | RW2-49 |

For article descriptions and information about energy classes, see Accessories on p. 26-27

H: 200 cm



Order no. FE232 (as shown) FE232-SV (mirror-image)
 PG 1
 PG 2

Recommended accessories: each

Lighting

| | |
|--------------------------|--------|
| 1 LED light for TV niche | LB174 |
| 3 LED lights for panels | LSP1 |
| 1 transformer, 15 watt | LEVG15 |
| 1 remote control | FKS4 |

General accessories

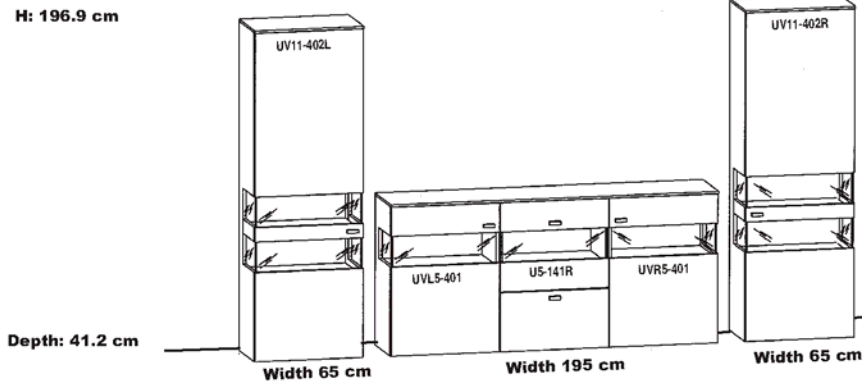
| | |
|---------------------------------------|--------|
| 2 full-extension runners for base el. | VZ500 |
| 1-2 organisers for base element | ET2-98 |

For article descriptions and information about energy classes, see Accessories on p. 26-27

Combinations

Prices excluding lighting and accessories

Dimensions in cm directly beside the corresponding picture.

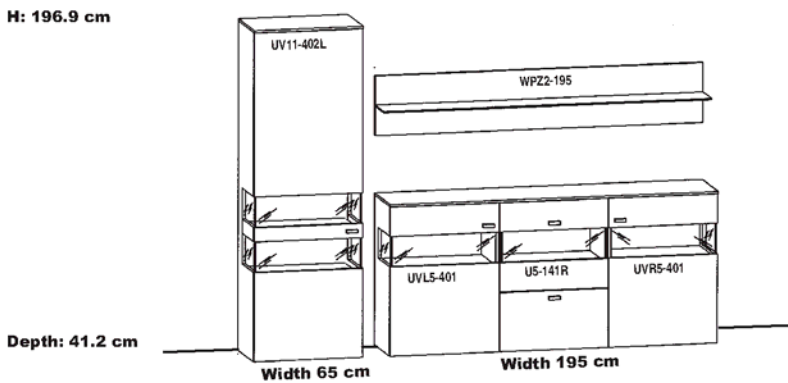


Order no. FE61
PG 1
PG 2

Recommended accessories: each

| Lighting | |
|---------------------------------------|---------|
| 7 LED spotlights for display units | LST2 |
| 1 transformer, 30 watt | LEVG30 |
| EI. storage comp. with remote control | LES65F |
| General accessories | |
| 1 full-extension runner for sideboard | VZ320 |
| 3 veneered display-unit rear panels | RW2-65 |
| 4 veneered display-unit rear panels | RW15-65 |

For article descriptions and information about energy classes, see Accessories on p. 26-27

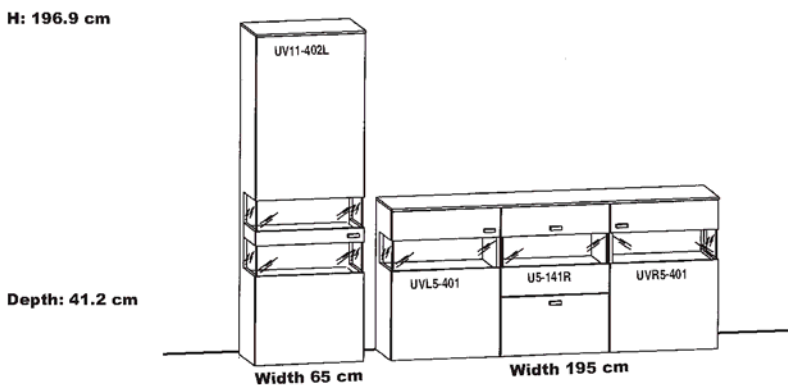


Order no. FE63
PG 1
PG 2

Recommended accessories: each

| Lighting | |
|---------------------------------------|---------|
| 5 LED spotlights for display units | LST2 |
| 1 transformer, 15 watt | LEVG15 |
| EI. storage comp. with remote control | LES65F |
| General accessories | |
| 1 full-extension runner for sideboard | VZ320 |
| 3 veneered display-unit rear panels | RW2-65 |
| 2 veneered display-unit rear panels | RW15-65 |

For article descriptions and information about energy classes, see Accessories on p. 26-27



Order no. FE64
PG 1
PG 2

Recommended accessories: each

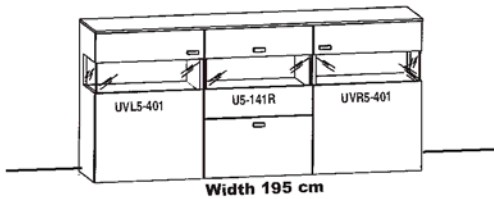
| Lighting | |
|---------------------------------------|---------|
| 5 LED spotlights for display units | LST2 |
| 1 transformer, 15 watt | LEVG15 |
| EI. storage comp. with remote control | LES65F |
| General accessories | |
| 1 full-extension runner for sideboard | VZ320 |
| 3 veneered display-unit rear panels | RW2-65 |
| 2 veneered display-unit rear panels | RW15-65 |

For article descriptions and information about energy classes, see Accessories on p. 26-27

Dimensions in cm directly beside the corresponding picture.

H: 91.3 cm

Depth: 41.2 cm

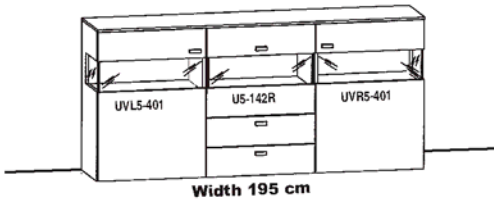


Width 195 cm

Order no. FE41
PG 1
PG 2

H: 91.3 cm

Depth: 41.2 cm

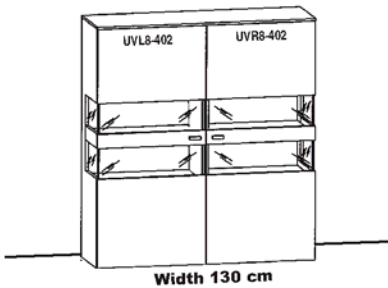


Width 195 cm

Order no. FE42
PG 1
PG 2

H: 144.1 cm

Depth: 41.2 cm

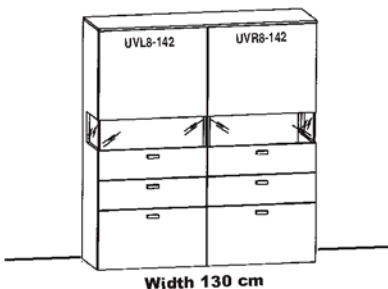


Width 130 cm

Order no. FE51
PG 1
PG 2

H: 144.1 cm

Depth: 41.2 cm



Width 130 cm

Order no. FE52
PG 1
PG 2

Recommended accessories: each

Lighting

| | |
|---------------------------------------|--------|
| 3 LED spotlights for display units | LST2 |
| 1 transformer, 15 watt | LEVG15 |
| EI. storage comp. with remote control | LES65F |

General accessories

| | |
|---------------------------------------|--------|
| 1 full-extension runner for sideboard | VZ320 |
| 3 veneered display-unit rear panels | RW2-65 |

For article descriptions and information about energy classes, see Accessories on p. 26-27

Recommended accessories: each

Lighting

| | |
|---------------------------------------|--------|
| 3 LED spotlights for display units | LST2 |
| 1 transformer, 15 watt | LEVG15 |
| EI. storage comp. with remote control | LES65F |

General accessories

| | |
|--|--------|
| 2 full-extension runners for sideboard | VZ320 |
| 3 veneered display-unit rear panels | RW2-65 |

For article descriptions and information about energy classes, see Accessories on p. 26-27

Recommended accessories: each

Lighting

| | |
|---------------------------------------|--------|
| 4 LED spotlights for display units | LST2 |
| 1 transformer, 15 watt | LEVG15 |
| EI. storage comp. with remote control | LES65F |

General accessories

| | |
|-------------------------------------|---------|
| 4 veneered display-unit rear panels | RW15-65 |
|-------------------------------------|---------|

For article descriptions and information about energy classes, see Accessories on p. 26-27

Recommended accessories: each

Lighting

| | |
|---------------------------------------|--------|
| 2 LED spotlights for display units | LST2 |
| 1 transformer, 15 watt | LEVG15 |
| EI. storage comp. with remote control | LES65F |

General accessories

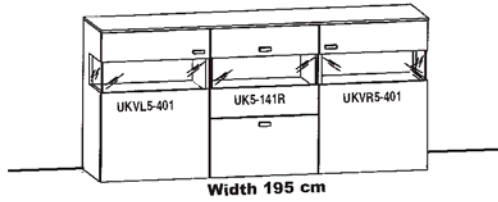
| | |
|--|--------|
| 4 full-extension runners for sideboard | VZ320 |
| 2 veneered display-unit rear panels | RW2-65 |

For article descriptions and information about energy classes, see Accessories on p. 26-27

Dimensions in cm directly beside the corresponding picture.

H: 91.3 cm

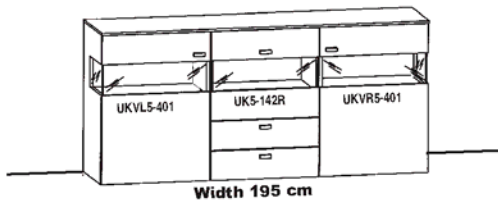
Depth: 49.2 cm



Order no. FE241
PG 1
PG 2

H: 91.3 cm

Depth: 49.2 cm



Order no. FE242
PG 1
PG 2

Recommended accessories: each

Lighting

| | |
|---------------------------------------|---------|
| 3 LED spotlights for display units | LST2 |
| 1 transformer, 15 watt | LEVG15 |
| EI. storage comp. with remote control | LES65KF |

General accessories

| | |
|---------------------------------------|--------|
| 1 full-extension runner for sideboard | VZ400 |
| 3 veneered display-unit rear panels | RW2-65 |

For article descriptions and information about energy classes, see Accessories on p. 26-27

Recommended accessories: each

Lighting

| | |
|---------------------------------------|---------|
| 3 LED spotlights for display units | LST2 |
| 1 transformer, 15 watt | LEVG15 |
| EI. storage comp. with remote control | LES65KF |

General accessories

| | |
|--|--------|
| 2 full-extension runners for sideboard | VZ400 |
| 3 veneered display-unit rear panels | RW2-65 |

For article descriptions and information about energy classes, see Accessories on p. 26-27

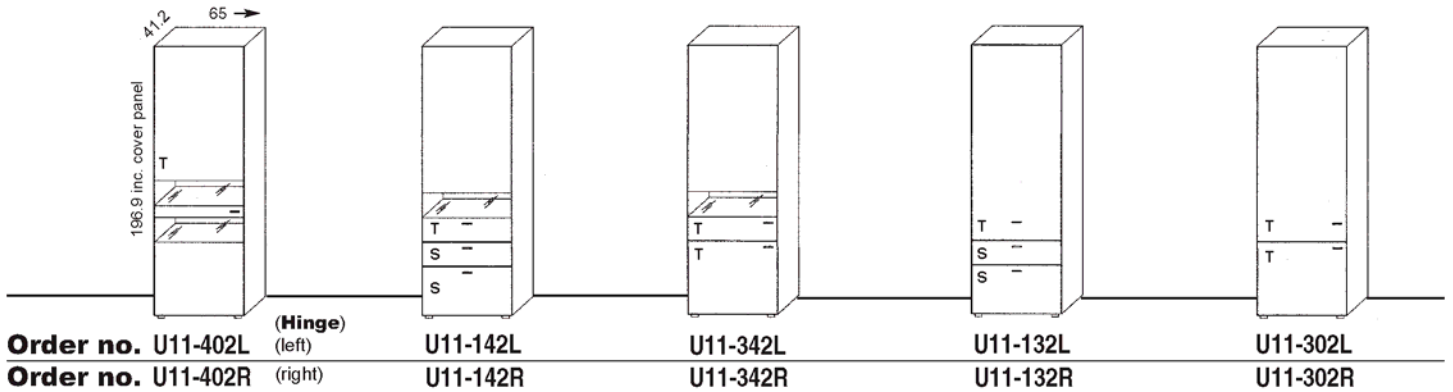
Planning system for individual models

Dimensions in cm directly beside the corresponding picture.

T = Doors **S = Drawers**

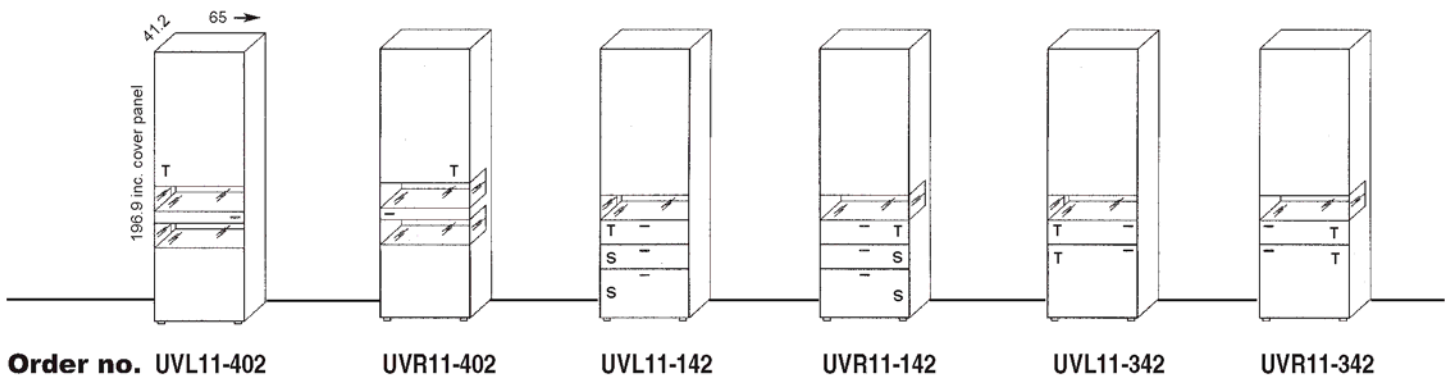
Planning information: All display-unit rear panels are delivered in the carcass colour as standard. For display-unit rear panels in a contrast finish, see Accessories on page 27.

Elements, 11 increments without side glazing



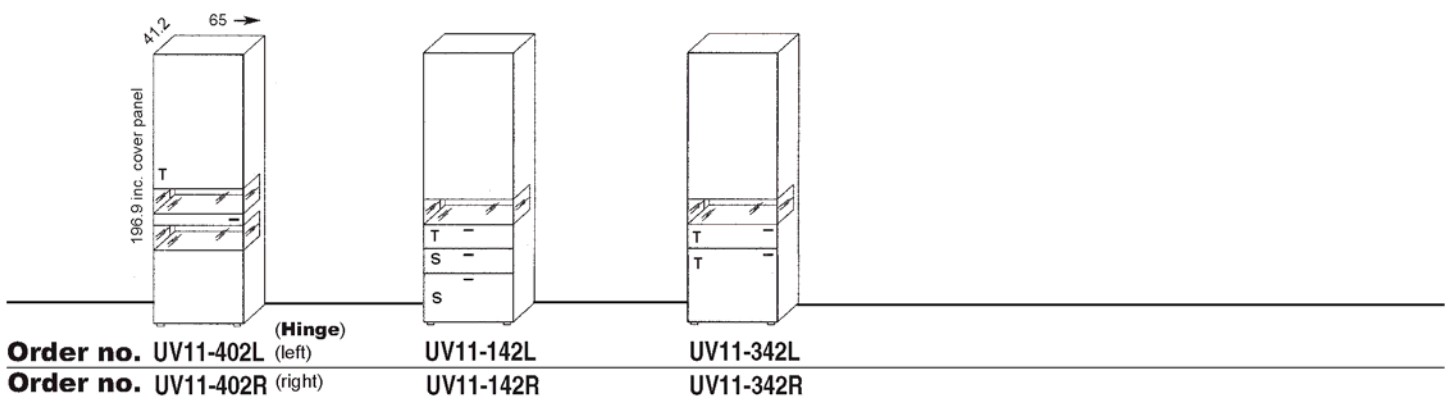
PG 1
PG 2

Elements, 11 increments with side glazing on one side



PG 1
PG 2

Elements, 11 increments with side glazing on both sides



PG 1
PG 2

Planning system for individual models

Dimensions in cm directly beside the corresponding picture.

For lighting and accessories, see pages 26-27

All elements are supplied with a 13-mm-thick cover panel as standard.

The cover panel can be manufactured from single-piece lengths of up to 260 cm, if requested.

Elements, 8 increments without side glazing

Order no. U8-402L (Hinge) (left)
Order no. U8-402R (right)

U8-142L **U8-142R**

U8-342L **U8-342R**

U8-132L **U8-132R**

U8-302L **U8-302R**

PG 1
PG 2

Elements, 8 increments with side glazing on one side

Order no. UVL8-402 **UVR8-402** **UVL8-142** **UVR8-142** **UVL8-342** **UVR8-342**

PG 1
PG 2

Elements, 8 increments with side glazing on both sides

Order no. UV8-402L (Hinge) (left)
Order no. UV8-402R (right)

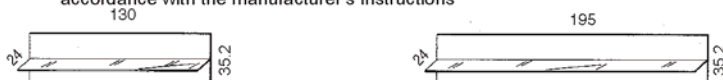
UV8-142L **UV8-142R**

UV8-342L **UV8-342R**

PG 1
PG 2

Wall panels, 2 increments with glass shelf

↓ The load-bearing capacity is 6 kg/linear metre when mounted to solid brickwork in accordance with the manufacturer's instructions



Order no. WP22-130 **WP22-195**

PG 1
PG 2

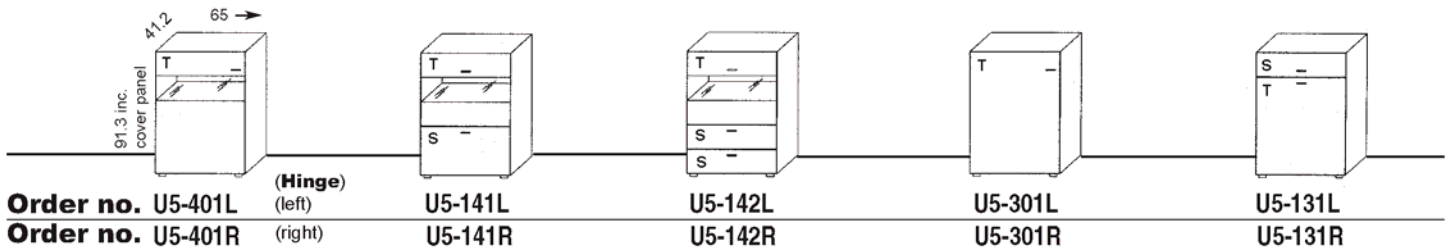
Planning system for individual models

Dimensions in cm directly beside the corresponding picture.

T = Doors S = Drawers

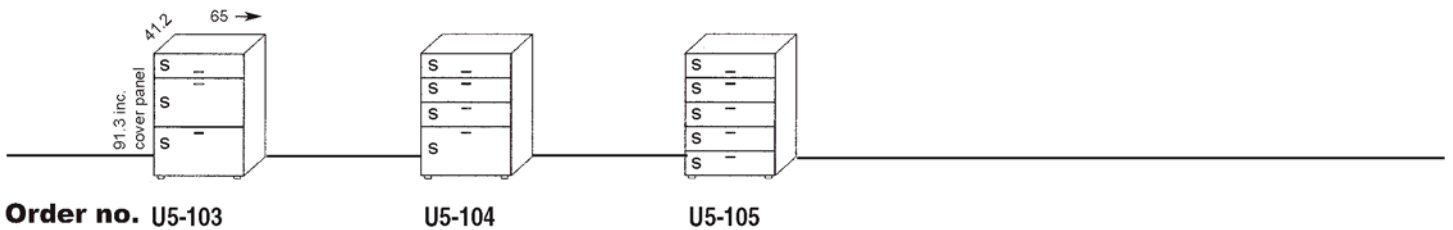
Planning information: All display-unit rear panels are delivered in the carcass colour as standard. For display-unit rear panels in a contrast finish, see Accessories on page 27.

Elements, 5 increments, 41.2 cm deep without side glazing



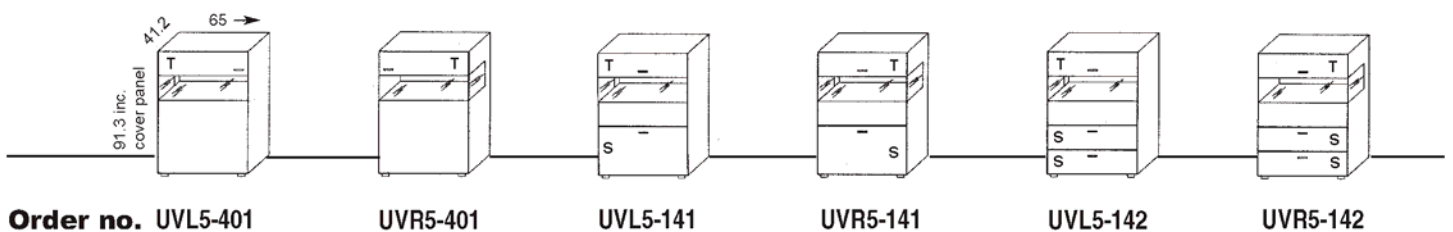
PG 1
PG 2

Elements, 5 increments, 41.2 cm deep without side glazing



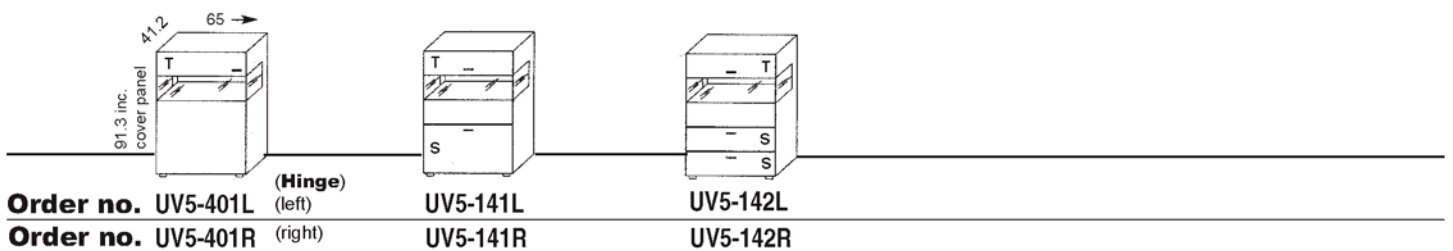
PG 1
PG 2

Elements, 5 increments, 41.2 cm deep with side glazing on one side



PG 1
PG 2

Elements, 5 increments, 41.2 cm deep with side glazing on both sides



PG 1
PG 2

Planning system for individual models

Dimensions in cm directly beside the corresponding picture.

For lighting and accessories, see pages 26-27

All elements are supplied with a 13-mm-thick cover panel as standard.

The cover panel can be manufactured from single-piece lengths of up to 260 cm, if requested.

Elements, 5 increments, 49.2 cm deep without side glazing

| | | | | | |
|---|-------------------|----------|----------|----------|----------|
| Order no. UK5-401L PG 1 PG 2 | (Hinge) (left) | UK5-141L | UK5-142L | UK5-301L | UK5-131L |
| Order no. UK5-401R | (right) | UK5-141R | UK5-142R | UK5-301R | UK5-131R |

Elements, 5 increments, 49.2 cm deep without side glazing

| | | |
|--|---------|---------|
| Order no. UK5-103 PG 1 PG 2 | UK5-104 | UK5-105 |
|--|---------|---------|

Elements, 5 increments, 49.2 cm deep with side glazing on one side

| | | | | | |
|--|-----------|-----------|-----------|-----------|-----------|
| Order no. UKVL5-401 PG 1 PG 2 | UKVR5-401 | UKVL5-141 | UKVR5-141 | UKVL5-142 | UKVR5-142 |
|--|-----------|-----------|-----------|-----------|-----------|

Elements, 5 increments, 49.2 cm deep with side glazing on both sides

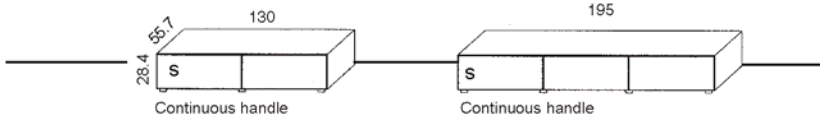
| | | | |
|--|-------------------|-----------|-----------|
| Order no. UKV5-401L PG 1 PG 2 | (Hinge) (left) | UKV5-141L | UKV5-142L |
| Order no. UKV5-401R | (right) | UKV5-141R | UKV5-142R |

Planning system for individual models

Dimensions in cm directly beside the corresponding picture.

The 1.5-increment base elements are supplied with continuous handles to open two or three drawers as standard. If required, it is possible to order individual handles for each drawer (65 cm) at a surcharge.

Base elements, 1.5 increments



Surcharge for individual handles
Per handle

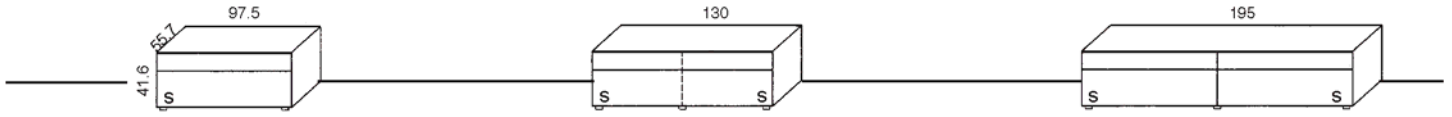
Order no. UTE15-102D
PG 1
PG 2

Order no. UTE15-103T

Order no. GR646

Base elements, 2.3 increments

One front piece the same width as the carcass, with two 65-cm-wide drawers behind



Order no. UTE23-101M
PG 1
PG 2

Order no. UTE23-101D

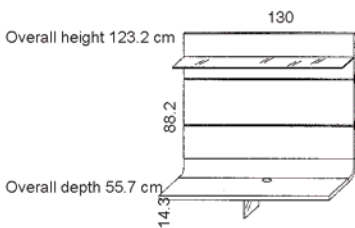
Order no. UTE23-102T

Planning information: Standard cable feed-throughs are not required. As an alternative, individual positions are possible, as long as they are constructively feasible. Additional **DL60** cable feed-throughs are charged at

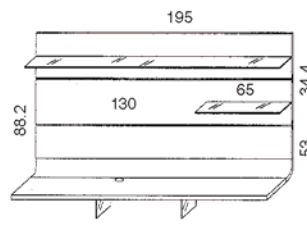
If the device niche height of 14.3 cm is insufficient, taller glass supports measuring 19.3 cm can be ordered. For each support, the applicable surcharge is

○ = Cable feed-through

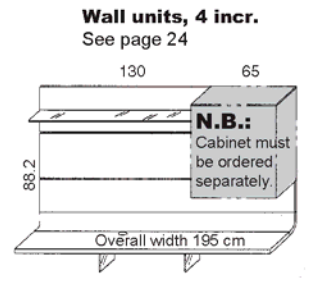
Wall panels, 7 increments



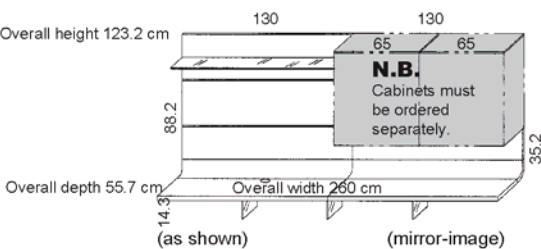
Order no. WP7-1
PG 1
PG 2



(as shown) **Order no.** WP7-3
(mirror-image) **Order no.** WP7-3SV

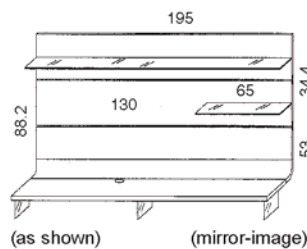


(as shown) **Order no.** WP7-4
(mirror-image) **Order no.** WP7-4SV



(as shown) **Order no.** WP7-5
(mirror-image) **Order no.** WP7-5SV

PG 1
PG 2



(as shown) **Order no.** WP7-8
(mirror-image) **Order no.** WP7-8SV

Planning system for individual models

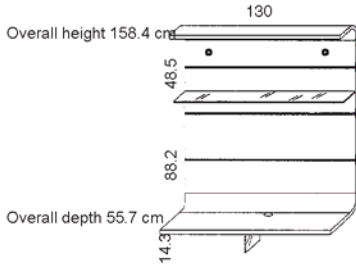
Planning information: If glass shelves are not required for panels, please state this clearly on the order so that this can be taken into consideration when manufacturing the pieces.

Load-bearing capacity of the wall panels 45 kg when mounted to solid brickwork in accordance with the manufacturer's instructions

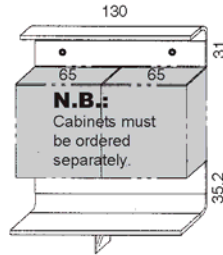
Load-bearing capacity of glass panel shelves 6 kg/linear metre when mounted to solid brickwork in accordance with the manufacturer's instructions

○ = recommended position for LED panel lights **LSP1**
See Accessories on page 26.

Wall panels, 9 increments



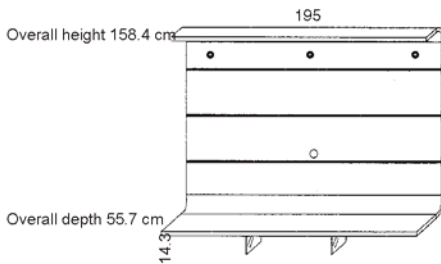
Order no. WP9-1
 PG 1
 PG 2



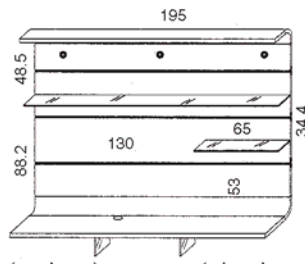
WP9-2



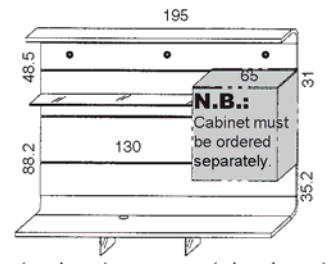
WP9-12



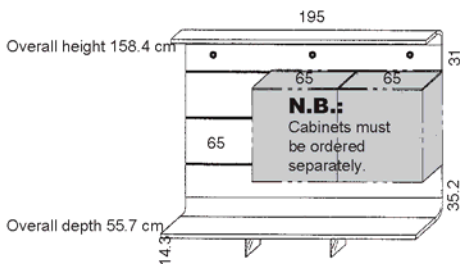
Order no. WP9-4
 PG 1
 PG 2



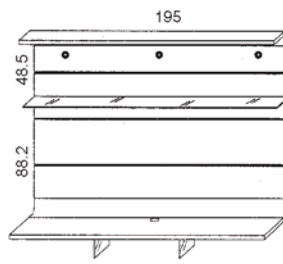
WP9-5 (as shown) **WP9-5SV** (mirror-image)



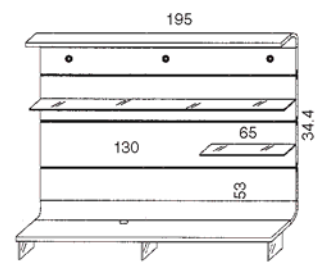
WP9-6 (as shown) **WP9-6SV** (mirror-image)



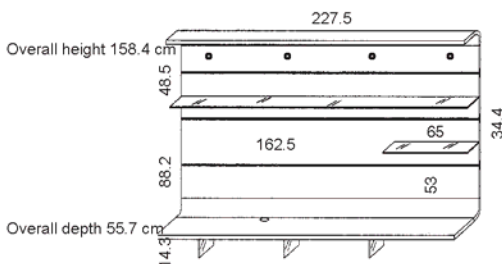
Order no. WP9-7 (as shown) **WP9-7SV** (mirror-image)



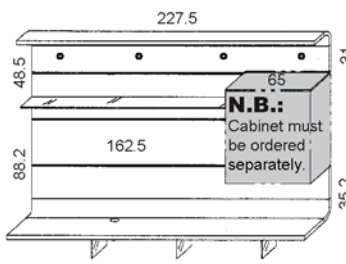
WP9-14



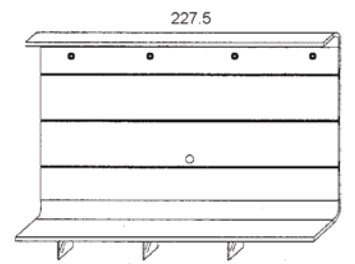
WP9-15 (as shown) **WP9-15SV** (mirror-image)



Order no. WP9-9 (as shown) **WP9-9SV** (mirror-image)



WP9-10 (as shown) **WP9-10SV** (mirror-image)



WP9-11 (as shown) **WP9-11SV** (mirror-image)

Order no. WP9-9
 PG 1
 PG 2

Planning system for individual models

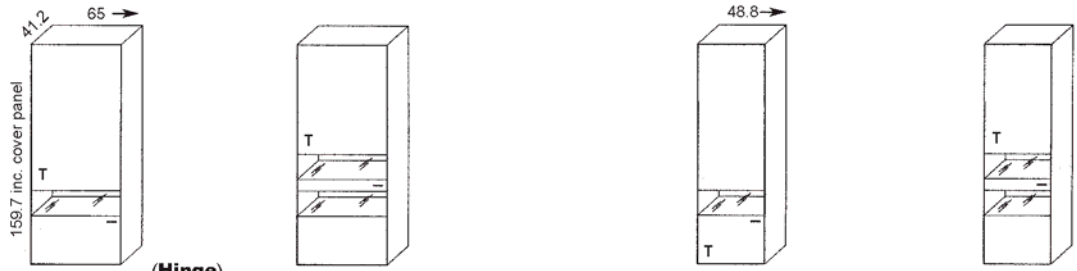
Dimensions in cm directly beside the corresponding picture.

For lighting and accessories, see pages 26-27



The load-bearing capacity of all wall units is 12 kg per shelf when mounted to solid brickwork in accordance with the manufacturer's instructions.

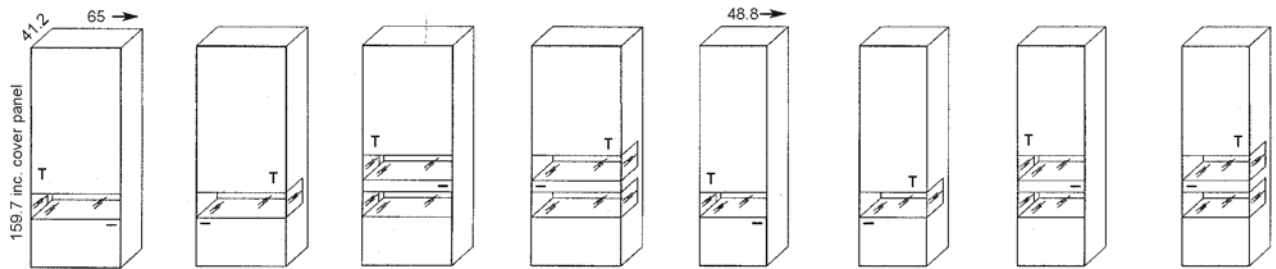
Wall units, 9 increments without side glazing



Order no. H9-401L (Hinge) (left) **H9-402L** **H9-401KL** **H9-402KL**
Order no. H9-401R (right) **H9-402R** **H9-401KR** **H9-402KR**

PG 1
PG 2

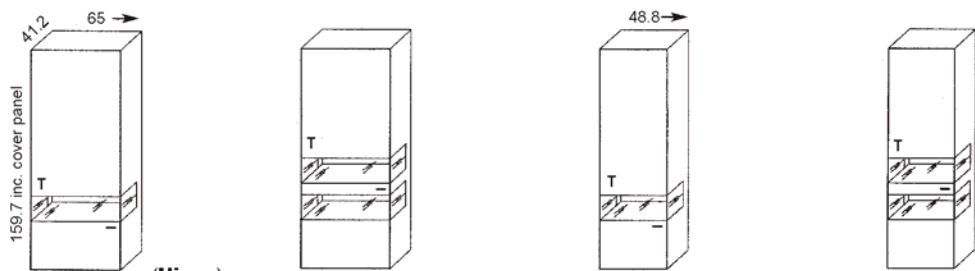
Wall units, 9 increments with side glazing on one side



Order no. HVL9-401 **HVR9-401** **HVL9-402** **HVR9-402** **HVL9-401K** **HVR9-401K** **HVL9-402K** **HVR9-402K**

PG 1
PG 2

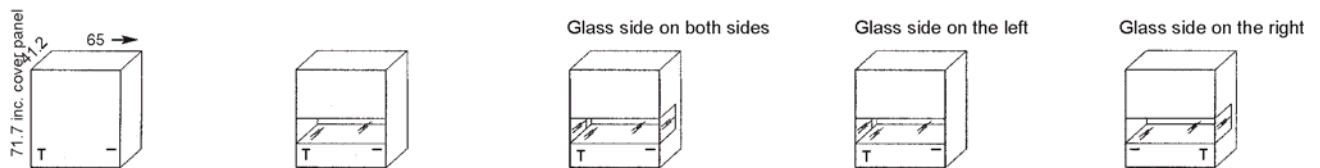
Wall units, 9 increments with side glazing on both sides



Order no. HV9-401L (Hinge) (left) **HV9-402L** **HV9-401KL** **HV9-402KL**
Order no. HV9-401R (right) **HV9-402R** **HV9-401KR** **HV9-402KR**

PG 1
PG 2

Wall units, 4 increments Raster for wall-mounting or for panels



Order no. H4-301L (Hinge) (left) **H4-401L** **HV4-401L** **HVL4-401** **HVR4-401**
Order no. H4-301R (right) **H4-401R** **HV4-401R** **HVL4-401** **HVR4-401**

PG 1
PG 2

Coffee tables, dining tables, chairs and benches

For the formal coffee tables, dining tables, chairs and benches that match this model, please see the comprehensive coffee table, dining table, chair and bench collection in the most up-to-date type lists.

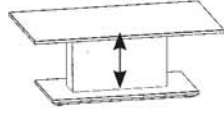
Examples from our broad range of coffee tables

Movable glass panel

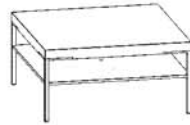


CT406-114D

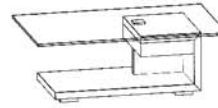
Fixed and height-adjustable



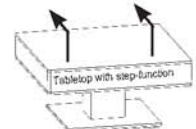
CT...F
Available in three sizes



CT501...
Available in four sizes



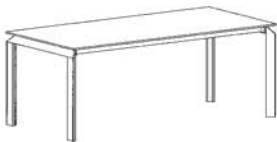
CT404-110



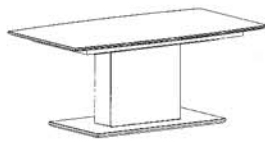
CT303.
Available in two sizes

Please see the current coffee table type list for more coffee table designs, the available sizes and finishes. This list also contains descriptions and prices for each model.

Examples from our broad range of dining tables



ET521



ET592



ET581



ET632

Please see the current dining table type list for more dining table designs, the available sizes and finishes. This list also contains descriptions and prices for each model.

Examples from our broad range of chairs and benches



Lena



Jule



Kaia



Mila



Anna



Aria



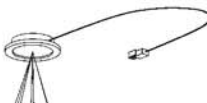
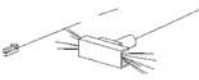




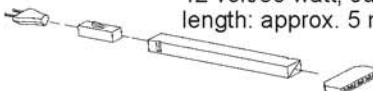
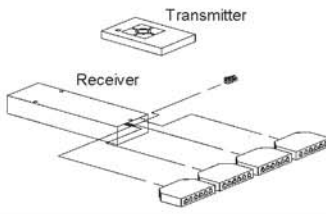
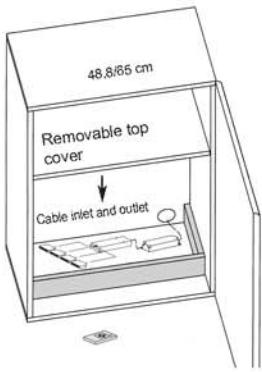
Milan



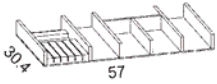
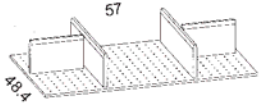


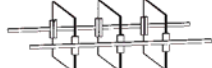

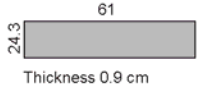
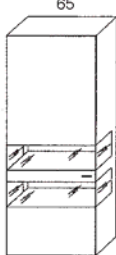
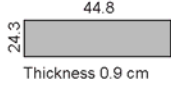
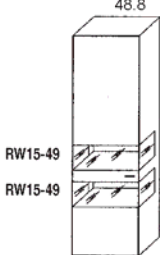
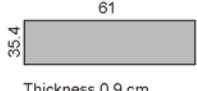
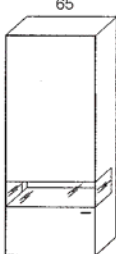
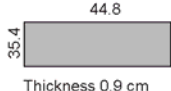

Bern

Please see the current chair/bench type list for more chair designs, the available sizes and finishes. This list also contains descriptions and prices for each model.

Accessories

| Article | Order no. | | Description |
|--|-------------------------------------|--|---|
| Lighting and switches | | | |
| Flush-mounted LED spotlight | LST2 | |  <p>For display units. 12 volt/2.6 watt, concealed cable duct, length: 4 metres. Only available with LED transformer.</p> |
| LED light for panels | LSP1 | |  <p>Cable length: approx. 4 metres. Transformer required. 12 volt/1 watt.</p> |
| LED lighting for 130-cm-wide panels | LB114 | |  <p>1 LED light, length: 114 cm, cable length: approx. 4 metres. Transformer required. 12 volt/3.3 watt.</p> |
| LED lighting for 195-cm- and 227.5-cm-wide panels | LB174 | |  <p>1 LED light, length: 174 cm, cable length: approx. 4 metres. Transformer required. 12 volt/5.1 watt.</p> <p> Diese Produkte enthalten Lichtquellen der Energieeffizienzklasse <F> auf einer Skala von A (höchste Effizienz) bis G (geringste Effizienz). Die Lichtquellen in den LED-Beleuchtungen sind nicht tauschbar.</p> |
| LED transformer 15 watt | LEVG15 | |  <p>12 volt/15 watt, suitable for max. 6 connections. Cable length: approx. 5 metres, switch on the supply cable.</p> |
| LED transformer 30 watt | LEVG30 | |  <p>12 volt/30 watt, suitable for max. 10 connections. Cable length: approx. 5 metres, switch on the supply cable.</p> |
| Radio remote control for LED lighting | FKS4 | |  <p>A maximum of four power circuits can be switched and dimmed using the remote control. Six light fixtures can be included in each power circuit. Normally, a 15-watt LEVG15 transformer is sufficient, but if the connected light fixtures require more than 15 watt in total, please use the LEVG30 transformer with 30 watt.</p> |
| Electrical storage compartment with radio remote control Fitted behind | LES65F LES49F LES65KF | |  <p>Please specify the element in which the electrical storage compartment should be fitted. The integrated radio remote control has four connections. A maximum of four power circuits can be switched and dimmed. As the top cover is a removable wooden shelf, the full cabinet depth can therefore be used.</p> |
| Wooden shelves | | | |
| Wooden shelf for 65-cm-wide types at depths of 41.2 cm | FA65 | | Additional wooden shelf behind doors, 61.1 x 33 x 1.9 cm |
| Wooden shelf for 48.8-cm-wide types at depths of 41.2 cm | FA49 | | Additional wooden shelf behind doors, 44.9 x 33 x 1.9 cm |
| Wooden shelf for 65-cm-wide types at depths of 49.2 cm | FAK65 | | Additional wooden shelf behind doors, 61.1 x 41 x 1.9 cm |

Accessories

| Article | Order no. | | Description |
|---|-------------------------|---|---|
| Drawers: Special equipment | | | |
| Full-extension runner surcharge | VZ320 VZ400 VZ500 | | For 41.2-cm-deep elements. For 49.2-cm-deep sideboards. For deep base elements. |
| Cutlery organiser for 65-cm drawers | BE65M |  | For 6-piece cutlery set, with knife block. Grey lacquer finish. Width 57 cm, Depth 30.4 cm Not suitable for deep base elements. |
| Organiser | OET65 |  | For 65-cm-wide base-element drawers – 48.4 cm x 57 cm. Solid beech finish, grey lacquer - interior compartments are adjustable using pre-drilled holes (with 2 longitudinal and 2 transverse dividers) |
| Organiser for 65-cm-wide drawers in 41.2-cm-deep elements | E1-65 |  | The 3 glass transverse dividers are fixed at the front and back, but the distances between the dividers can be adjusted. |
| Organiser for 65-cm-wide drawers in 49.2-cm-deep elements | EK1-65 |  | The 3 glass transverse dividers are fixed at the front and back, but the distances between the dividers can be adjusted. |
| Organiser for 65-cm-wide base-element drawers | ET2-65 |  | The 3 glass transverse dividers are fixed at the front and back, but the distances between the dividers can be adjusted. |
| Organiser for 97.5-cm-wide base-element drawers | ET2-98 |  | The 4 glass transverse dividers are fixed at the front and back, but the distances between the dividers can be adjusted. |
| Display-unit rear panels in contrast finish | | | |
| Display-unit rear panel in contrast finish for 65-cm-wide display units with two glass niches | RW15-65 | /Item |   |
| Display-unit rear panel in contrast finish for 48.8-cm-wide display units with two glass niches | RW15-49 | /Item |   |
| Display-unit rear panel in contrast finish for 65-cm-wide display units with one glass niche | RW2-65 | /Item |   |
| Display-unit rear panel in contrast finish for 48.8-cm-wide display units with one glass niche | RW2-49 | /Item |   |
| Panels | | | |
| Panels, all types of wood and lacquers on one side | BL19E | /m ² | 19-mm-thick, surface-treated inc. required edges. Counter-veneered on the rear. Veneer direction specified. Max. piece 250/60 cm |
| Panels, all types of wood and lacquers on both sides | BL19B | /m ² | As above, but with the same finish on both sides. Max. piece 250/60 cm |
| The surcharge for panels in oak timber or knotty walnut is 50%. The minimum price per panel is | | | |

A minimum-charge surcharge of will be added to all orders worth up to

with prices in , valid from 01.06.2022

GWINNER[®]