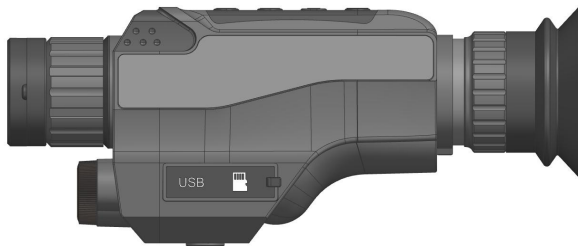


ONAX™

SPORT OPTICS



NVM4IR

Digital Night-Vision Monocular

Safety

Before using your OMAX product, please read the following safety precautions carefully to avoid causing damage to the device or injury to yourself or others.

Use only 3.7V 16340 lithium-ion batteries. Use of other batteries may cause damage to the device or injury to yourself or others.

Turn off power if the instrument exhibits unusual or dangerous behavior such as emitting smoke or unusual odors. These can be indications of electrical problems, in which case the instrument should be disconnected from any power source if safe to do so. Other indicators can be a loud buzzing sound or crackling. Contact OMAX to report such behavior.

Do not use around flammable liquids or gases. Electric instruments can ignite flammable substances which could result in an explosion or fire.

Avoid use in wet environments. This device uses some weather-sealing measures, but does not comply with IP67 standards for exposure to water. Electrical components of the instrument can discharge when exposed to water, potentially resulting in damage to the instrument, or injury to yourself or others.

Do not dismantle. Dismantling will void the warranty and can result in damage to the instrument, and potential exposure to dangerous materials or electric current.

Use the IR filter cap in bright conditions including daylight. The device's image sensor is very sensitive to light. Disengage the IR filter cap in dark conditions to allow the use of infrared light.

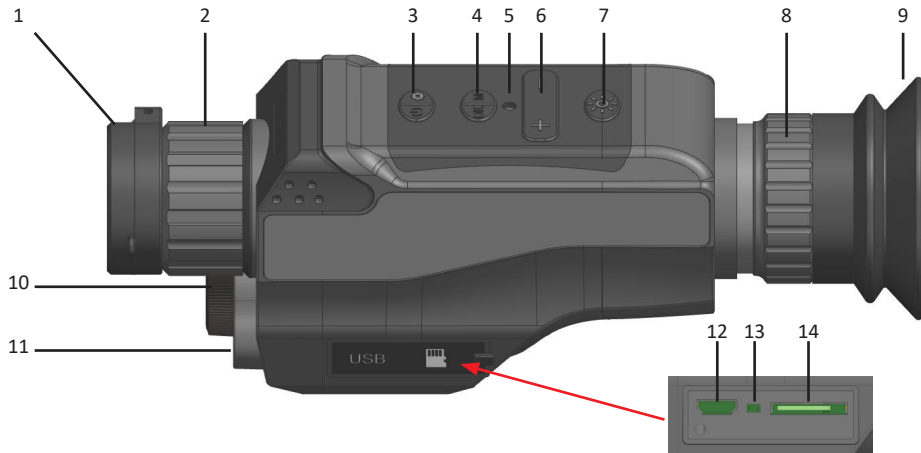
Notices

OMAX reserves the right to change specifications of the product at any time without notice. Continuous efforts are made to improve performance and reliability, which can result in changes to design and compatibility. Please contact OMAX for any concerns regarding such changes.

This manual contains content which is proprietary, and may not be reproduced in any manner without written consent from United Scope, LLC.

Contents

1. Preparation.....	6
1.1 Battery Installation	6
1.2 The I/O Panel.....	6
1.3 Charging the Battery.....	6
1.4 Recording Media	6
2. Operation	7
2.1 The Control Panel	7
2.2 Powering On/Off.....	7
2.3 Focusing.....	7
2.4 Digital Zoom	8
2.5 Exposure Modes.....	8
2.6 Changing Recording Modes.....	8
3. The Settings Menu.....	9



1	IR Filter Cap	8	Relief Adjuster
2	Focus Ring	9	Eye Cup
3	Power/Recording Mode Button	10	Battery Compartment
4	Capture/Menu Button	11	Infrared Lamp
5	Status LED	12	Micro USB Port
6	Zoom In/Zoom Out	13	Reset
7	Exposure Mode Button	14	MicroSD (TF) Card Slot

1. Preparation

1.1 Battery Installation

Important: only use 3.7V 16340 rechargeable lithium-ion batteries.

Do not remove the battery compartment cover while the device is powered on. Ensure the device is powered off before proceeding.

Unscrew the battery compartment cover. Insert the negative (-) end of the 16340 battery into the compartment. The positive (+) end of the battery should be facing outward. Screw in the battery compartment cover until it is secure.

1.2 The I/O Panel

The I/O (Input/Output) panel consists of a Micro-USB port, a reset button, and a MicroSD card slot. The panel is located on the lower left side of the device near the infrared lamp. To access it, pull the tab on the right side of the protective cover.

1.3 Charging the Battery

To charge the battery, use the supplied USB cable with a USB power source or charging adapter. Attach the cable's Micro-USB plug into the I/O panel's Micro-USB port. Insert the cable's Type-A connector into the AC adapter's USB port. Plug the AC adapter into an AC outlet to begin charging. The status LED on the device's control panel will light up red while charging. When the LED turns green, the battery is fully charged, and the USB cable can be disconnected.

1.4 Recording Media

This device uses MicroSD media (also called TransFlash or TF) for recording photos and videos. MicroSD cards up to 32GB may be used to record and store files. In order to ensure proper performance, only cards with speed class 10 should be used.

To insert a MicroSD card, align the card with the card slot so that the card's smaller end with the metal contacts are facing the slot, and the printed surface of the card is facing up. Gently push the card into the slot. Be careful not to force the card, as this could result in damaging the card and jamming the slot. When the card is fully inserted, there should be a click.

To remove the MicroSD card, push the card inward to activate the release. The card will partially eject so it can be pulled out. Do not remove the card while the device is recording, as this will result in loss of data.

2. Operation

2.1 The Control Panel

The control panel is located on the top of the device. It consists of the Power/Recording Mode button, the Capture/Menu button, the status LED, the Zoom In and Zoom Out buttons, and the Exposure Mode button.

2.2 Powering On/Off

To power on the device, press and hold the Power button for approximately 2 seconds while looking into the eyepiece. Once the internal screen displays an image, you can release the button. The status LED on the control panel will light up blue.

To power off the device, press and hold the Power button for approximately 2 seconds while looking into the eyepiece. Once the internal screen begins to turn off, you can release the button.

2.3 Focusing

While looking through the eyepiece you can adjust the focus by rotating the focus ring. Rotating the ring clockwise will focus closer while rotating the ring counter-clockwise will focus farther.

2.4 Digital Zoom

This device has a digital zoom function which can increase the magnification by up to 8X. To use, press the "+" zoom button to increase the zoom level, or the "-" zoom button to decrease the zoom level.

2.5 Exposure Modes

This device has three exposure modes including a standard exposure mode and two night vision modes. When using the standard mode, the IR filter cap should be closed to limit the amount of natural infrared light reaching the camera's sensor. To switch to night vision mode, press the Exposure Mode button once. The live image will change from color to monochrome, and the camera sensor's sensitivity will be increased. This mode can be used in dim lighting to maximize brightness. Press the Exposure Mode button once more to enable the infrared lamp. When using the infrared lamp, the lens' IR filter cap must be opened to allow the infrared light to enter. This mode can be used in complete darkness since the infrared lamp generates light which can be detected by the camera sensor.

2.6 Changing Recording Modes

When the device is powered on, the power button can be used to switch recording modes. Photo mode will be set by default. Press the power button once to switch to Video mode. Press the button once more to switch to Playback mode. One more press will return to Photo mode. Each mode can be identified by the icon displayed in the top left corner of the screen.



Photo Mode



Video Mode



Playback Mode

3. The Settings Menu

Photo Size

This sets the size of photos captured. Image scaling is done through interpolation. Sizes include:

- 3M (2048 x 1536)
- 5M (2592 x 1944)
- 8M (3264 x 2448)
- 10M (3648 x 2736)
- 20M (5328 x 4000)
- 25M (5856 x 4384)
- 30M (6368 x 4768)
- 40M (7344 x 5504)

Timer

This sets the delay before an image is captured after pressing the capture button. Options include:

- Off
- 2s Timer
- 5s Timer
- 10s Timer

Burst Shot

This mode will capture a 3 images when the capture button is pressed instead of 1.

Video Size

This sets the resolution of recorded videos. Options include:

- 2.5K UHD (2560 x 1440, 30fps)
- 1080FHD (1920 x 1080, 30fps)
- 1080P (1440 x 1080, 30fps)
- 720P (1280 x 720, 30fps)

Loop Recording

When recording video, this mode will record for a time up to the set duration. After the set duration has lapsed, video will continue to record, but will overwrite the previously recorded data. Available options include:

- 1 Minutes
- 2 Minutes
- 3 Minutes
- 5 Minutes
- 10 Minutes

Video Rate

This sets the speed at which video is recorded. Video recorded in “slow” mode will play back at a reduced speed. Video recorded in “fast” mode will play back at an accelerated speed.

Time Stamp

When enabled, the current date and time will be imprinted on recorded photos and video.

Screen Brightness

This setting adjusts the brightness of the screen. The brightness level ranges from 1 to 8.

Screensaver

This sets the amount of time before the screensaver engages due to inactivity. Available options are:

- Off
- 1 Minutes
- 2 Minutes
- 3 Minutes

Auto Power Off

This sets the amount of time before the device powers off due to inactivity. Available options are:

- Off
- 1 Minutes
- 3 Minutes
- 5 Minutes

Language

This sets the language displayed . Options include English and Chinese.

Format

This will format an inserted MicroSD card. This process will erase all existing data on the card.

Date/Time Set

This allows you to set the current date and time.

Restore Default

This will restore the device's factory default settings.

Version

This displays the device's current firmware version.