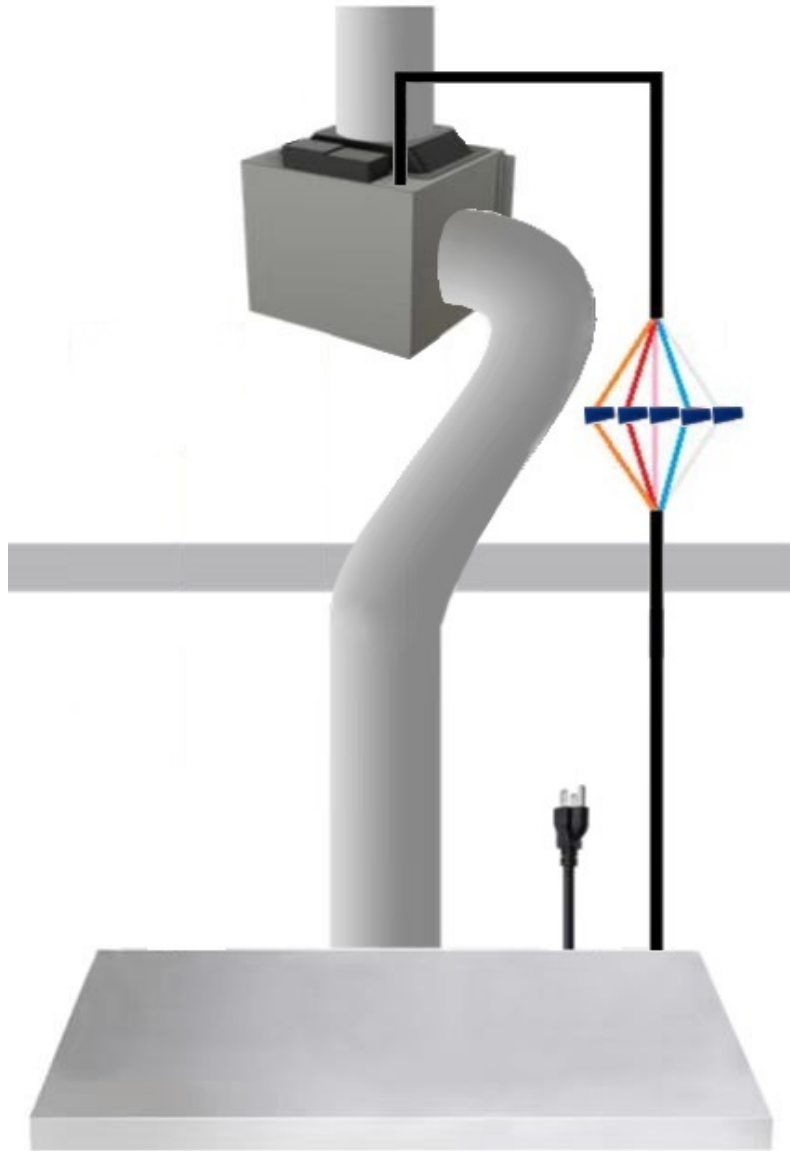


Installation Guide and User Manual

In-Liner Blower / Ventilators -VH

FOR USER



IMPORTANT:

Read and save these instructions.

NOTICE:

Installer: Leave this guide with the homeowner

Homeowner: Keep this guide for future reference

In-Line Blower / Ventilators

Important Safety Notice

Read all Instructions before Installing and operating this appliance

- The installation in this manual is intended for qualified installers, service technicians or persons with similar qualified background. Installation and electrical wiring must be done by qualified professionals and in accordance with all applicable codes and standards, including fire-rated construction.
- **DO NOT** attempt to install this appliance yourself. Injury could result from installing the unit due to lack of appropriate electrical and technical background.
- Range hood may have very sharp edges; please wear protective gloves if it is necessary to remove any parts for installing, cleaning or servicing.
- Activating any switch ON before completing installation may cause ignition or an explosion.
- Due to the size and weight of this range hood, two people installation is recommended.

To reduce the risk of fire, electric shock, or injury to persons:

- For general ventilating use only. **DO NOT** use to exhaust hazardous or explosive materials and vapors.
- The combustion air flow needed for safe operation of fuel-burning equipment may be affected by this unit's operation. Follow the heating equipment manufacturer's guideline and safety standards such as those published by the National Fire Protection Association (NFPA), and the American Society of Heating, Refrigeration and Air Conditioning Engineers (ASHRAE), and the local code authorities.
- Before servicing or cleaning unit, switch power OFF at service panel and lock service panel to prevent power from being switched ON accidentally.
- Clean grease laden surfaces frequently. To reduce the risk of fire and to disperse air properly, make sure to vent air outside. **DO NOT** vent exhaust into spaces between walls, crawl spaces, ceiling, attics or garages.
- Ducted fans **MUST** always be vented to the outdoors.
- Use only metal ductwork and this unit **MUST** be grounded.
- Sufficient air is needed for proper combustion and exhausting of gases through the duct to prevent back drafting.
- When cutting or drilling into wall or ceiling, be careful not to damage electrical wiring or other hidden utilities.
- All electrical wiring must be properly installed, insulated and grounded.
- Old duct work should be cleaned or replaced if necessary to avoid the possibility of a grease fire.
- Check all joints on duct work to insure proper connection and all joints should be properly taped.
- Use this unit only in the manner intended by the manufacturer. If you have questions, contact the vendor.

To reduce the risk of a stove top grease fire:

- Keep all fan, baffle, spaces, filter, grease tunnel, oil container and grease-laden surfaces clean. Grease should not be allowed to accumulate on fan, baffle, spaces, filter, grease tunnel and oil container.
- Always turn range hood ON when cooking at high heat or when cooking flaming foods.
- Use high settings on cooking range only when necessary.
- Never leave surface units unattended at high settings. Boil overs cause smoking and greasy spillovers that may ignite. Heat oils slowly on low or medium settings.

Important Safety Notice

Read all Instructions before Installing and operating this appliance

- Clean ventilating fan frequently.
- Always use appropriate cookware and utensils size.
- Always use cookware appropriate for the size of the surface element.

To reduce the risk of injury to persons in the event of a stove top grease fire:

- SMOTHER FLAMES with a close-fitting lid, cookie sheet, or metal tray, then turn OFF the burner. BE CAREFUL TO PREVENT BURNS. NEVER PICK UP A FLAMING PAN—you may be burned. KEEP FLAMMABLE OR COMBUSTIBLE MATERIAL AWAY FROM FLAMES. If the flames DO NOT go out immediately, EVACUATE AND CALL THE FIRE DEPARTMENT or dial your local emergency service immediately.
- DO NOT USE WATER, including wet dishcloths or towels — a violent steam explosion will result.
- Use an extinguisher ONLY if:
 - You know you have a Class A, B, C extinguisher, and you already know how to operate it.
 - The fire is small and contained in the area where it is started.
 - The fire department is being called.
 - You can fight the fire with your back to an exit.

To reduce the risk of injury to persons in the event of a gas leaks:

- Extinguish any open flame.
- DO NOT turn on the range hood fan or any type of ventilator.
- DO NOT turn on the lights or any type of appliance.
- Open all doors and windows to disperse the gas. If you still smell gas, call the gas company and fire department, or dial your local emergency service immediately.

Your safety and the safety of others is very important. We have provided many important safety messages in this manual and on your appliance. Always read and obey all safety messages. All safety messages will tell you what the potential hazard is, tell you how to reduce the chance of injury, and tell you what can happen if the instructions are not followed.



WARNING

This is the safety alert symbol. This symbol alerts you to potential hazards that can hurt you and others. All safety messages will follow the safety alert symbol and the word “WARNING”.

The manufacturer and/or distributor/reseller declines all responsibility in the event of failure to observe the instructions given here for installation, maintenance and suitable use of the product.

The manufacturer and/or distributor/reseller further declines all responsibility for injury due to negligence and the warranty of the unit automatically expires due to improper maintenance.

The manufacturer and/or distributor/reseller will not be held responsible for any damages to personal property or real estate or any bodily injuries whether caused directly or indirectly by the range hood.

Table of Contents

	INSTALLATION	USE AND CARE
Tools needed.....	3	Troubleshooting.....15
Parts supplied.....	4-5	Use and care information.....16
Mount heights & clearance.....	6	Specifications.....16
Venting requirements.....	7	Measurement & wiring diagram.....17-21
Calculating vent system length.....	7	MAINTENCE
Venting methods.....	8	Cleaning, Replacing the filter & light.....22-23
Electrical requirements.....	9	Replacing the circuit board.....24
Preparation.....	10	WARRANTY
Installation.....	11-13	Coverage & exception.....25
Range hood operations.....	14	Disclaimer.....26
		Contact Us.....27

Tools needed:

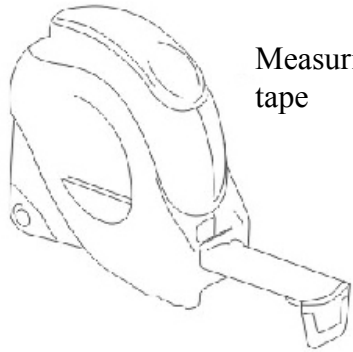
Marker or pencil



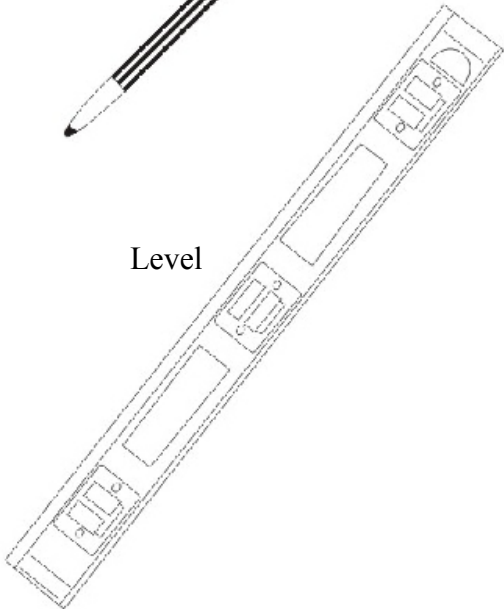
Utility knife



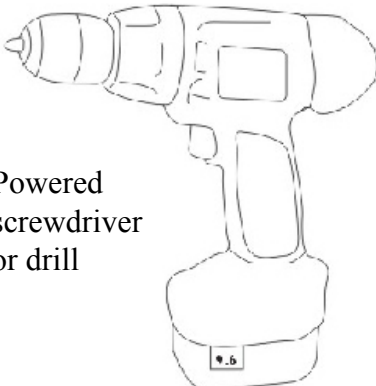
Measuring tape



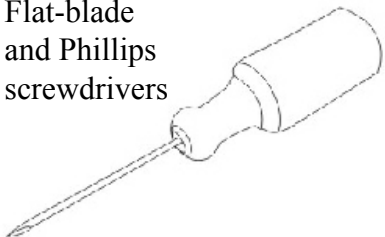
Level



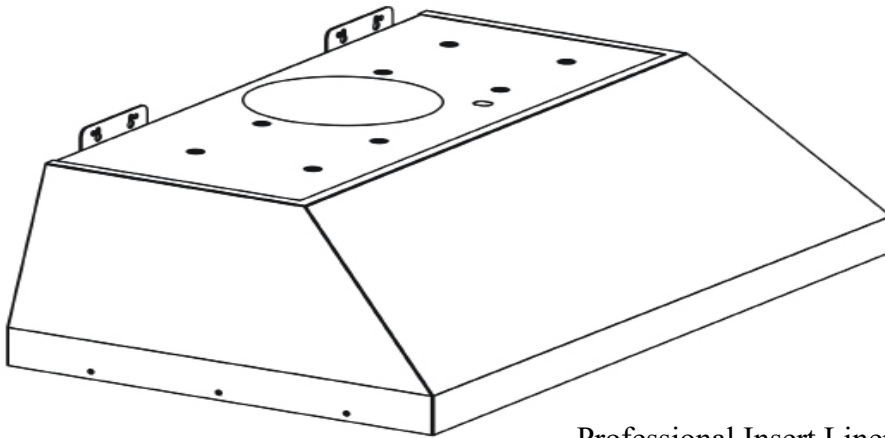
Powered screwdriver or drill



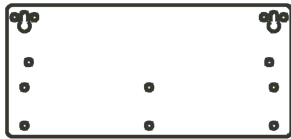
Flat-blade and Phillips screwdrivers



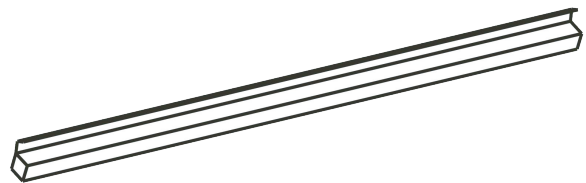
Parts supplied:



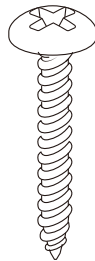
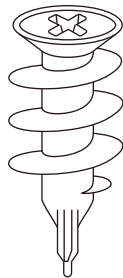
Professional Insert Liner



Range Hood Mounting Bracket
 (30" & 36" has one piece,
 42" & 48" has two pieces,
 54" & 60" has two pieces)



Oil Tunnel



30" & 36":
 42" & 48":
 54" & 60":

2PCS
 4PCS
 4PCS

2PCS
 4PCS
 4PCS

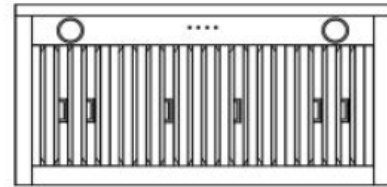
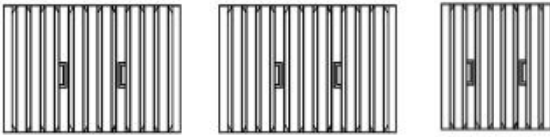
6PCS
 9PCS
 11PCS

6PCS
 8PCS
 18PCS

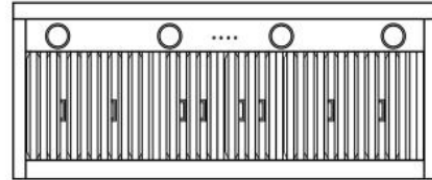
10PCS
 14PCS
 14PCS

Parts supplied:

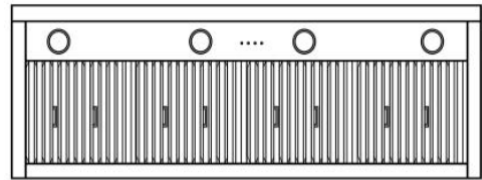
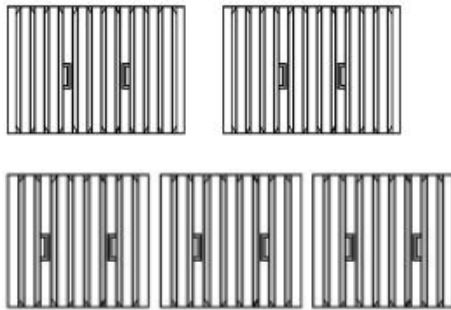
V01-36



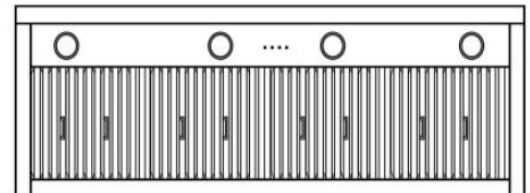
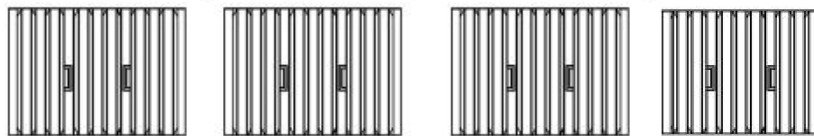
V01-42



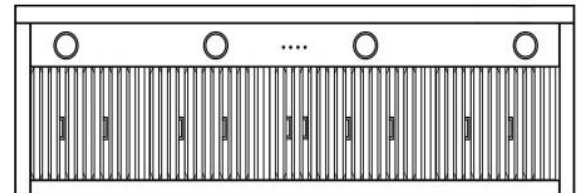
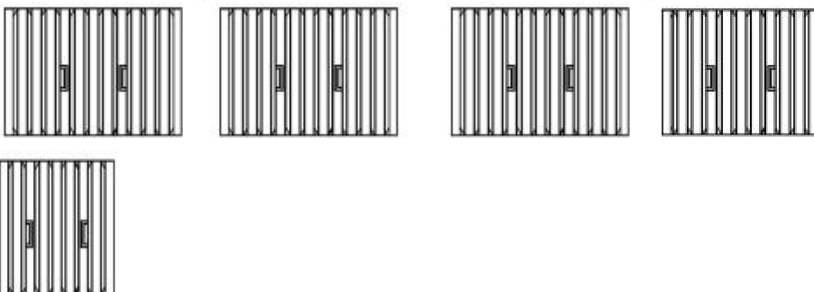
V01-48



V01-54

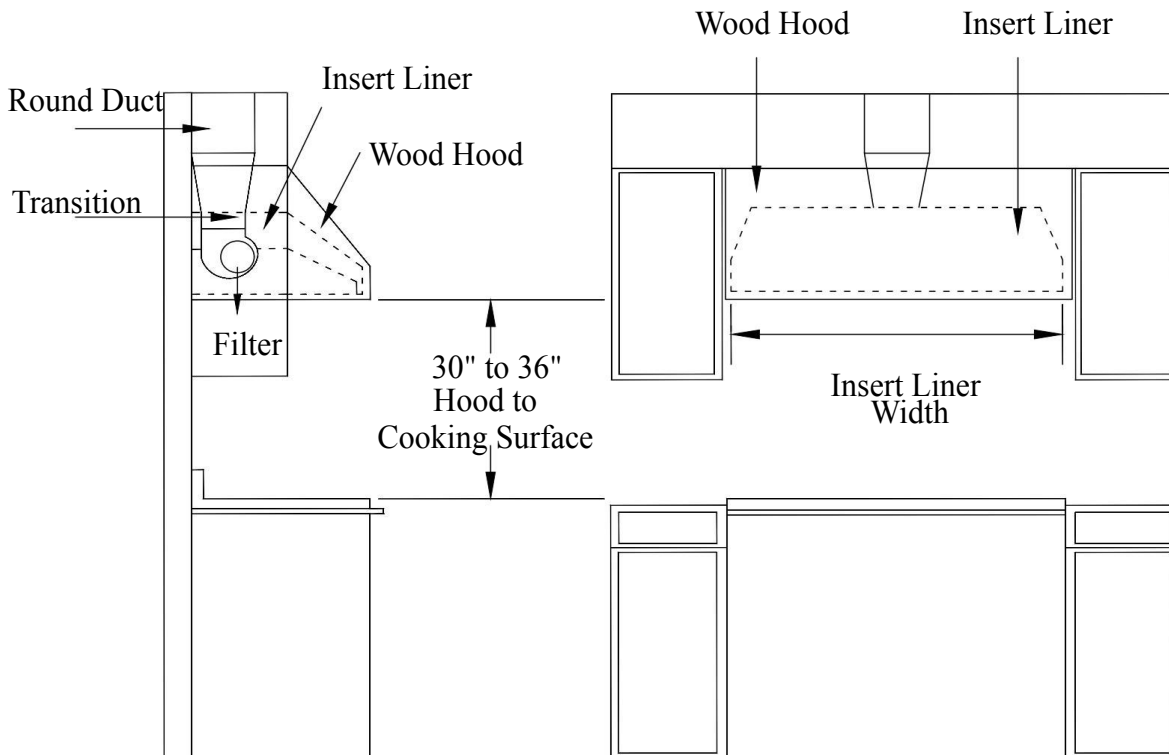


V01-60



Mount Heights & Clearance

Insert Liners Typical Installation:



IMPORTANT:

- Vent system must terminate to the outside (roof or side wall).
- DO NOT terminate the vent system in an attic or other enclosed area.
- DO NOT use 4" (10.2 cm) laundry-type wall caps.
- Use metal/aluminum vent only. Rigid metal/aluminum vent is recommended.
- DO NOT use plastic vent.
- Always keep the duct clean to ensure proper airflow.
- Calculate the following figures before installation:
 1. Distance between the floor to the countertop/stove.
 2. Distance between the countertop/stove to the range hood (recommend* 30" to 36").
 3. Height of hood and duct cover/cabinet.

For the most efficient & quiet operation:

- A distance of 30" to 36" is recommended* between stove top and the bottom of range hood.
- It is important to install the hood at the proper mounting height. Hoods mounted too low could result in heat damage and fire hazard; while hoods mounted too high will be hard to reach and will lose its performance and efficiency.
- It is recommended that the range hood be vented vertically through the roof through 8" (20.3 cm) or bigger round metal/aluminum vent work.
- Always use rigid type metal/aluminum ducts if available to maximize airflow when connecting to provided duct.
- The size of the vent should be uniform.

Venting Requirements

For the most efficient & quiet operation:

- ALWAYS, when possible, reduce the number of transitions and turns. If long duct run is required, increase duct size from 8" to 10" or bigger size duct. If a reducer is used, install a long reducer instead of a pancake reducer. Reducing duct size will restrict airflow and decrease airflow, thus reduce duct size as far away from opening as possible.
- Use no more than three 90° elbows.
- Make sure there is a minimum of 24" (61 cm) of straight vent between the elbows if more than one elbow is used.
- DO NOT install two elbows together.
- The length of vent system and number of elbows should be kept to a minimum to provide efficient performance.
- The vent system must have a damper. If roof or wall cap has a damper, DO NOT use damper (if supplied) on top of the range hood.
- Use silver tape or duct tape to seal all joints in the vent system.
- Use caulking to seal exterior wall or roof opening around the cap. Please use *Duct Run Calculation* below to compute total available duct run when using elbows, transitions and caps.
- If turns or transitions are required: Install as far away from opening and as far apart, between 2, as possible.
- If available, also refer to stove top manufacturer's height clearance requirements and recommended hood mounting height above range.
 - * Due to different ceiling height configurations, recommended height may not be applicable.

Minimum Duct Size:

- Round - 8"

Calculating Vent System Length

To calculate the length of the system you need, deduct the equivalent feet for each vent piece used in the system from the recommended maximum duct run.

Duct Run Calculation:	
Recommended maximum run	
8" or 3-1/4 x 10" duct	50 ft
Vent piece deduction	
Each 90° elbow used	9 ft
Each 45° elbow used	5 ft
Each 8" to 3 1/4 x 10" transition used	7 ft
Side wall cap with damper	0 ft
Roof cap	0 ft

Duct Run Calculation example:

One roof cap, two 90° elbow, and one 45° elbow used:

$$0ft + 9ft + 9ft + 5ft = \underline{23ft \text{ used.}}$$

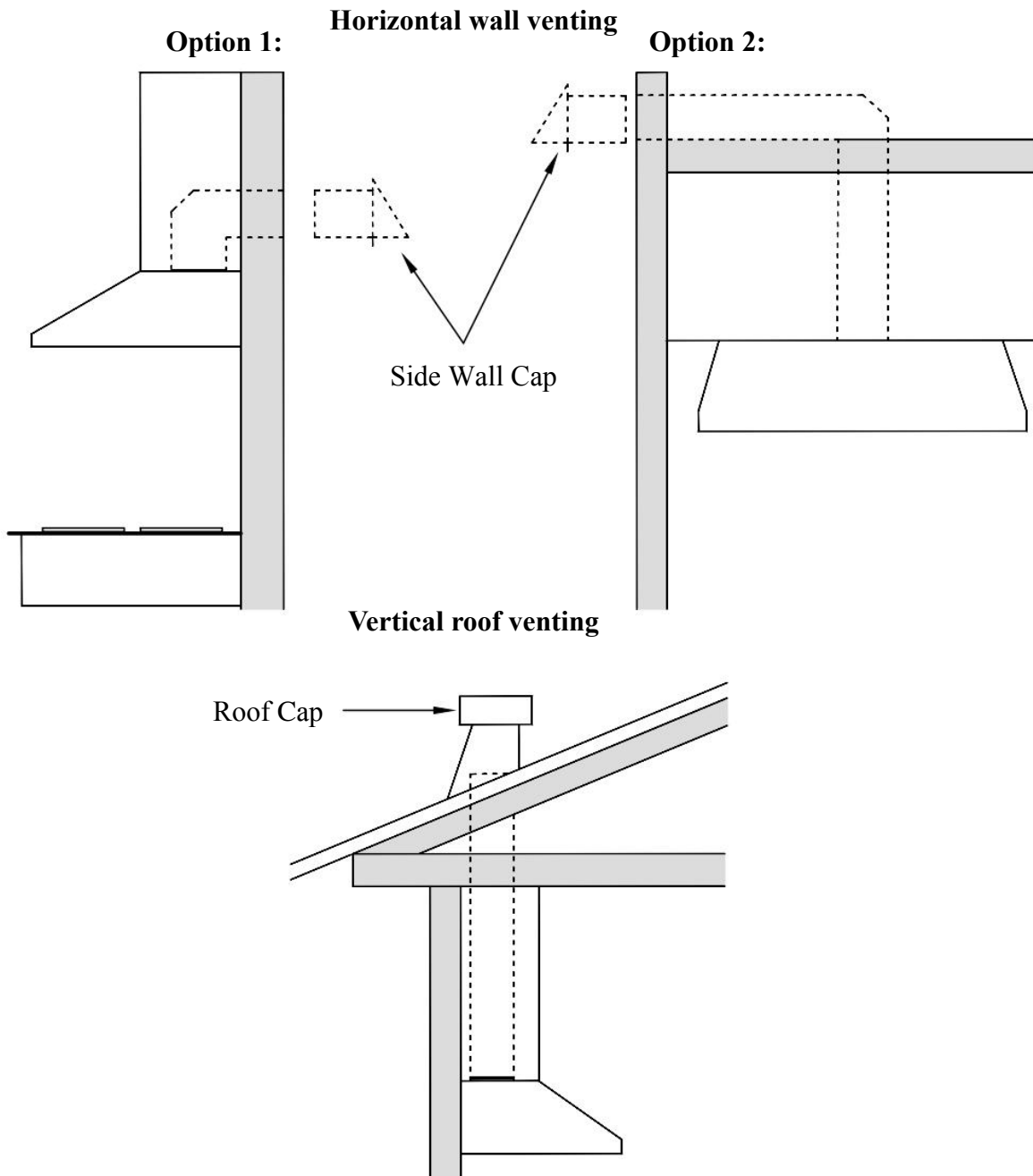
Deduct 23ft from 50ft, 27ft maximum available for straight duct run.

Venting Methods

- This range hood is factory set for venting through the roof or wall.
- Vent work can terminate either through the roof or wall. To vent through a wall, a 90° elbow is needed.

IMPORTANT:

- NEVER exhaust air or terminate duct work into spaces between walls, crawl spaces, ceiling, attics or garages. All exhaust must be ducted to the outside.
- Use metal/aluminum duct work only.
- Fasten all connections with sheet metal screws and tape all joints with certified Silver Tape or Duct Tape.
- Use caulking to seal exterior wall or roof opening around the cap.



Electrical Requirements

IMPORTANT: Observe all governing codes and ordinances.

It is the customer's responsibility:

- To contact a qualified electrical installer.
- To assure that the electrical installation is adequate and in conformance with National Electrical Code, ANSI/NFPA 70 — latest edition*, or CSA Standards C22. 1-94, Canadian Electrical Code, Part 1 and C22. 2 No. 0-M91 - latest edition** and all local codes and ordinances.

If codes permit and a separate ground wire is used, it is recommended that a qualified electrician determine that the ground path is adequate.

A 120-Volt, 60 Hz, AC-only (USA & Canada standard), fused electrical supply is required on a separate 15-amp circuit, fused on both sides of the line.

DO NOT ground to a gas pipe.

Check with a qualified electrician if you are not sure that the range hood is properly grounded.

DO NOT have a fuse in the neutral or ground circuit.

IMPORTANT: Save this Installation Guide for electrical inspector's use.

The range hood must be connected with copper wire/plug only.

The range hood should be connected directly to the fused disconnect (or circuit breaker) box through flexible armored or non-metallic sheathed copper cable. A U.L. - or C.S.A. - listed strain relief must be provided at each end of the power supply cable.

Wire sizes (copper wire only) and connections must conform with the rating of the appliance as specified on the model/serial rating label. Wire sizes must conform to the requirements of the National Electrical Code ANSI/NFPA 70 — latest edition*, or CSA Standards C22. 1-94, Canadian Electrical Code Part 1 and C22. 2 No. 0-M91 - latest edition** and all local codes and ordinances. A U.L. - or C.S.A. - listed conduit connector must be provided at each end of the power supply cable (at the range hood and at the junction box).

Copies of the standards listed may be obtained from:

* National Fire Protection Association
Batterymarch Park
Quincy, Massachusetts 02269

** CSA International
8501 East Pleasant Valley Road
Cleveland, Ohio 44131-5575

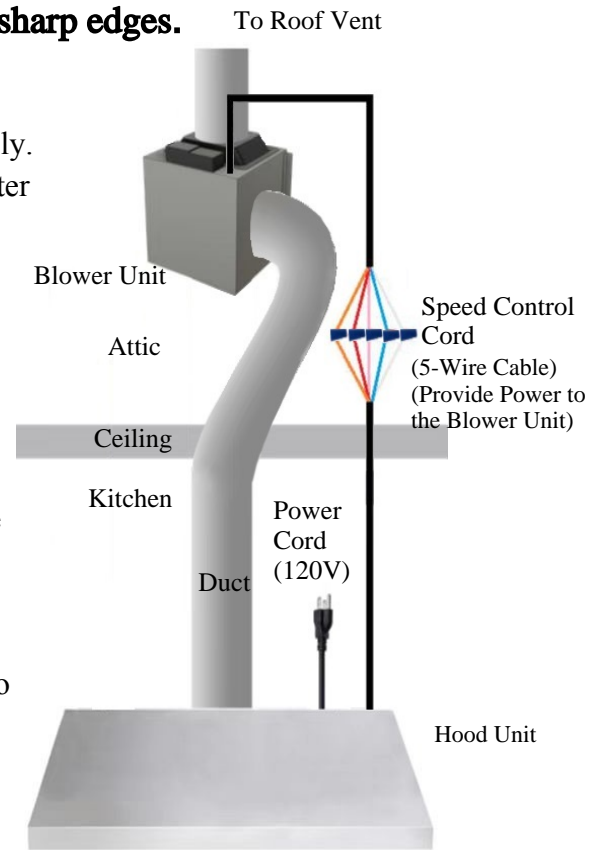
Preparation

IMPORTANT!

Wear gloves to protect against sharp edges.

Advanced Preparations:

1. Remove the range hood and accessories from the package carefully.
2. Place the range hood on a flat stable surface, remove the baffle filter and check for any dents or damages on the range hood body.
3. Remove the loosen parts if there's any.
4. **Match the wires color and connect the wires** (using twist-on wire nut connectors) as instructed in the Wiring Diagram on the right to connect the Blower Unit to the Hood Unit. Refer to Page 18.
5. Plug the range hood into a 120V AC power source.
Press any of the control buttons to turn it on. Refer to Page 14.
6. Place all supplied parts and required hardware on a flat, stable surface and verify the existence of all supplied parts listed on Page 4.
7. Carefully remove the white plastic protective coat (Soak the Baffle Filters into hot waters or use heated air from a hair dryer to soften the films).
8. The Adapter is pre-assembled upside-down on the hood body to save packaging space, please remove the screws and flip the Adapter over for the correct assembling position.



Preparations:

NOTE: To avoid damage to your hood, prevent debris from entering the vent opening.

1. Decide the location of the venting pipe from the hood to the outside. Refer to *Venting Methods* on Page 8.
2. Due to the weight and size of this unit, please make sure that the wood hood or framework being used is stable and secure in the wall. A straight, short vent run will allow the hood to perform more efficiently.
3. Try to avoid as many transitions, elbows, and long run as possible. This may reduce the performance of the hood.
4. **IMPORTANT:** Peel white plastic protective coat off the hood, if any.
5. Use silver tape or duct tape to seal joints between pipe sections.
6. Put a thick, protective covering over counter top, cook top or range to protect from damage or dirt. Remove any hazardous objects around the area when installing.

CAUTION: If moving the cooking range is necessary to install the hood, turn OFF the power on an electric range at the main electrical box. SHUT OFF THE GAS BEFORE MOVING A GAS RANGE.

7. The hood assembly is equipped with the standard 8" round vent.
8. If venting to the outside install vent system (see *Venting Requirements*, Page 7). Use caulking to seal exterior wall or roof openings.
9. Disconnect main electrical supply, prepare and run electrical wiring through ceiling or wall. Leave approximately 12" of electrical cord hanging from the ceiling. Do not restore power until wiring is completed.
10. Disconnect power cord, remove the baffle filters and the grease tunnel. Refer to installation step 10 & 11.
11. Reinstall the baffle filters and the grease tunnel after the range hood is properly installed.

Installation

Installations (refer to Page 4 for parts):

Measure the distance between stove top and the bottom of range hood. A distance of 30" to 36" is recommended*.

**Due to different ceiling height configurations, recommended height may not be applicable.*

Installing the Hood Unit

1. Place the range hood on a sturdy flat surface with the Baffle Filters facing the ceiling.
2. Remove the Baffle Filters
3. Place a flat-head screwdriver between light housing and hood body, gently pry up the light housing and search for the metal clip and apply force to the metal clip and pull out the light fixture. Remove all screws holding the light panel. See Figure 1(for optional).
4. Flip the stainless steel Panel open on the longest side, locate and disconnect the Wires for the LED Lamps and the Control Panel. See Figure 2(for optional).
5. Remove the screws around the Vent Opening and flip the black Vent Out Adapter over. See Figure 3. Align the Vent \ Out Adapter with the screw holes on the top of the Hood Unit and tighten all screws. See Figure 4.

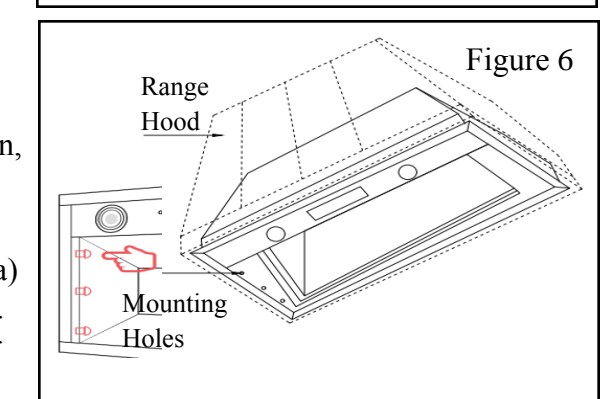
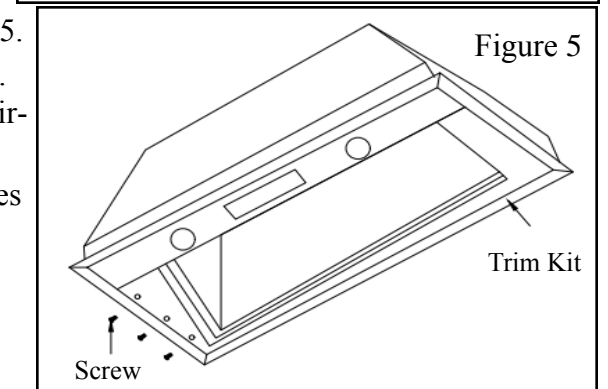
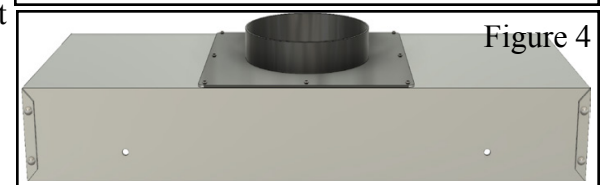
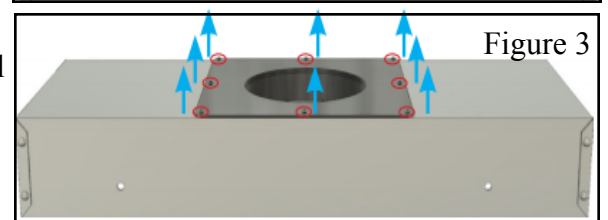
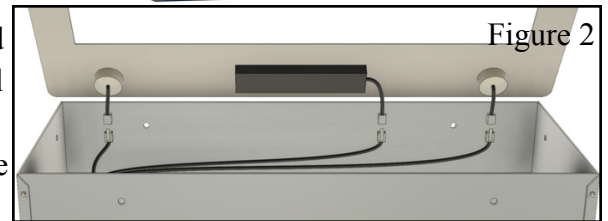
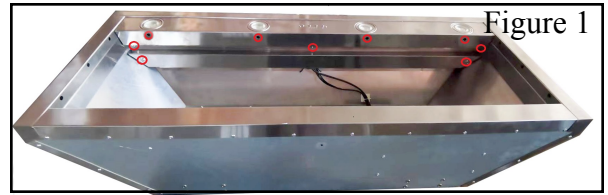
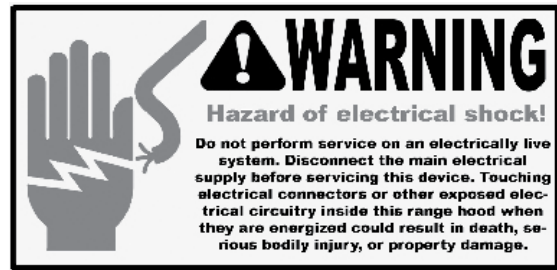
Installation of Metal Liner Inserts

6. If the optional trim kit is used it must be installed prior to mounting the Metal Hood Liner into the wood decorative hood. Use the provided #8 Phillips head screws. See Figure 5.
7. Lift the Metal Hood Liner into the decorative hood structure. Due to the weight of the assembly three people may be required for proper installation.
8. Install #6 x 1/2" screws through the pre-drilled EZ mount holes into the decorative hood structure. Tap chrome cap into EZ mount holes for flush appearance. See Figure 6.
9. Additional mounting fasteners may be used to secure to the back wall and top (from inside).

CAUTION:

Make certain the range hood is secure before releasing!

10. For safety purpose, pre-drilled mounting holes are provide through the back of the hood. For a more secure installation, use as many mounting holes as needed to secure from the inside of hood.
11. Use 8" round steel pipe (follow building codes in your area) to connect the exhaust on the hood to the duct-work above. Use silver tape or duct tape to make all joints secure and air tight. Refer to Figure 7.

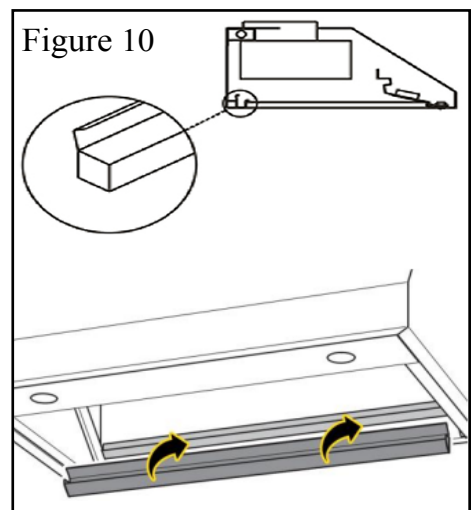
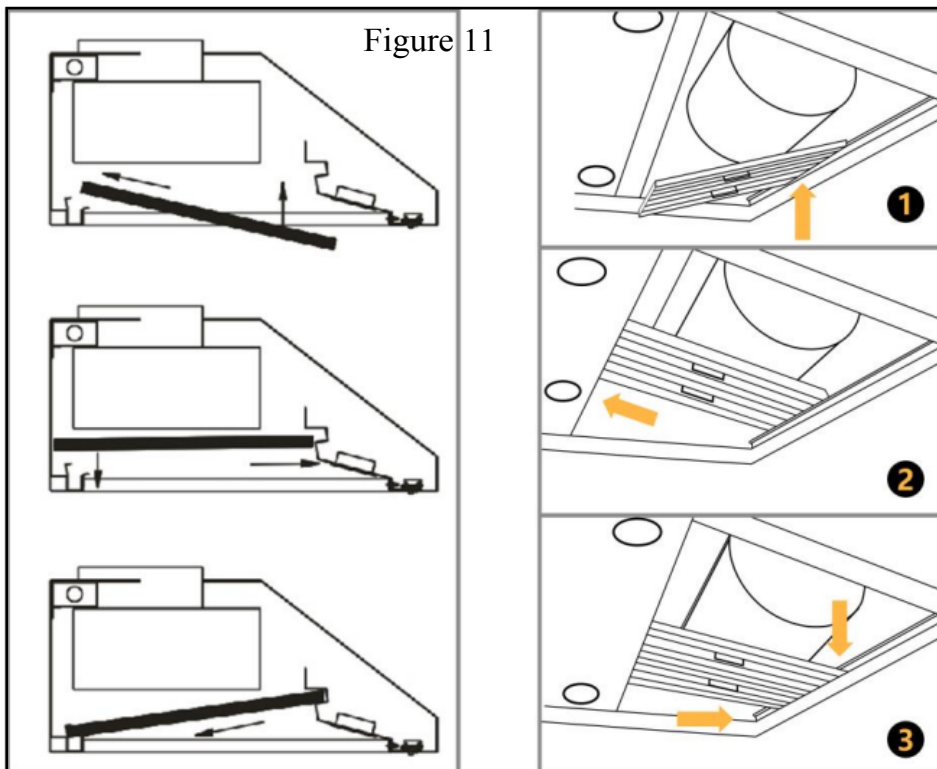
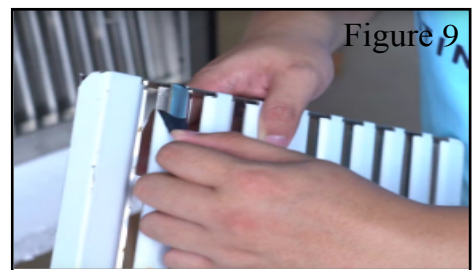
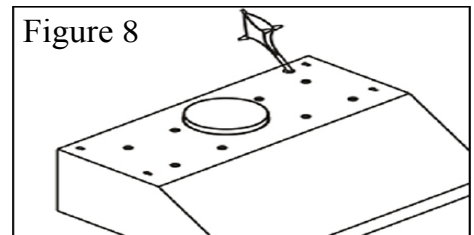
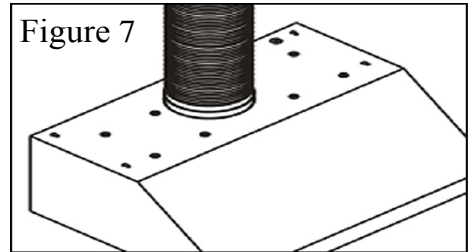


Installation (Continued)

SAFETY WARNING: Risk of electrical shock, this range hood must be properly grounded. Make sure this is done by qualified electrician in accordance with all applicable national and local electrical codes. Before connecting wires, switch power off at service panel and lock service panel to prevent power from being switched on accidentally.

12. Connect the range hood to a designated standard outlet or cut off the plug and connect three wires (black, white and green) to house wires and cap with wire connectors. Connect according to colors (i.e. black to black, white to white, and green to green) as shown in Figure 8.
13. Store excess wires in the wiring box.
14. The white coating covered on the baffle filter is a layer of removable protective covering. To remove it, just pull it off from the filter. See Figure 9.
15. Drop oil tunnel into recess support near rear of hood. See Figure 10.
16. To install baffle filters and stainless spacer(s), refer to *Baffle Filters and Stainless Steel Spacers* on Page 20 for baffle filters and stainless filler placement. Refer to Figure 11 for the following five steps:
 - ① Angle baffle filter toward back of hood.
 - ② Push baffle filter upward until almost level above the oil tunnel.
 - ③ Slide forward into recess behind the front of hood.
 - ④ Pull the end of baffle filter downward until it fits into resting positions.
 - ⑤ Slide the installed baffle filter to either left or right until it stops.

NOTE: The middle filter has to be installed last.
17. Repeat Step 15 to install all baffle filters and stainless spacers.
18. Turn power ON in control panel. Check all lights and fan operations.
19. Make sure to leave this Installation Guide for the homeowner.

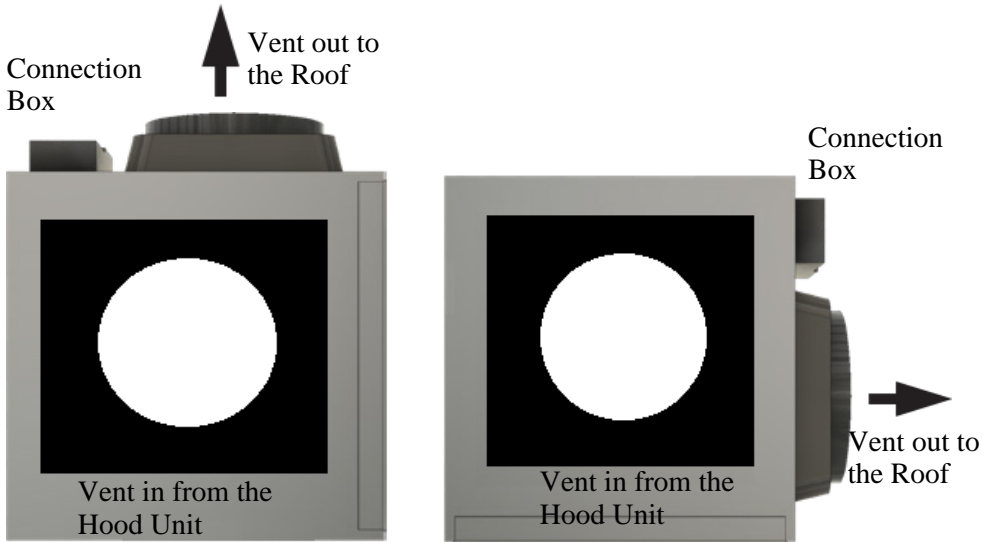


Installation (Continued)

SAFETY WARNING: Risk of electrical shock, this range hood must be properly grounded. Make sure this is done by qualified electrician in accordance with all applicable national and local electrical codes. Before connecting wires, switch power off at service panel and lock service panel to prevent power from being switched on accidentally.

Installing the Blower Unit

The Blower Unit has 2 vent openings on "L" shape. One side with just a Vent Opening and the other side with a Black Speed Control Box and a Vent Opening.

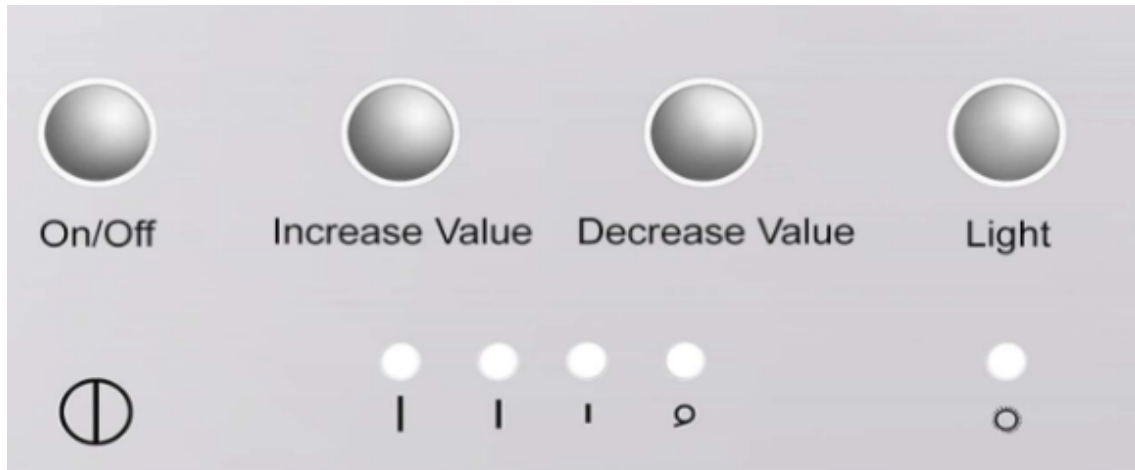


Option 1:

Option 2:

Range Hood Operations

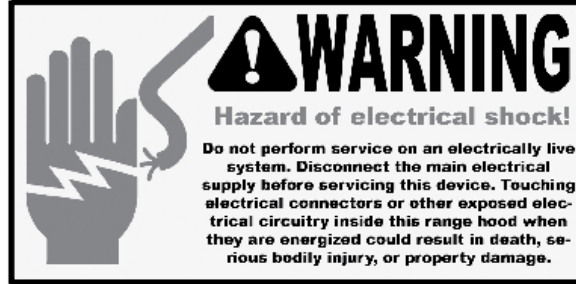
Control Panel Layout and Buttons Configurations:



This range hood is designed to remove smoke, cooking vapors and odors from the cook top area. For best results, start the range hood before cooking and allow it to operate several minutes after the cooking is completed to clear all smoke and odors from the kitchen.

- Button functions:
 - Power: Power ON/OFF the range hood and activate power-off delay timer.
 - Decrease Value: Blower (motor) speed decrease
 - Increase Value: Blower (motor) speed increase
 - Light: Turns ON/DIMMING/OFF lights.
- Controls:
 - Adjusting the blower (motor) speed:
 - Press *Power* button once to turn on the system. Press *Decrease Value* button will decrease the speed of the blower (motor) from F4 to F1 (strongest to quietest). Press *Increase Value* button will increase the speed of the blower (motor) from F1 to F4 (quietest to strongest).
 - Adjusting the delay timer function:
 - Three-Minute Delay Power Off
 - While the fans are running, press *Power* button once to enter Power-Off Delay Timer mode, the speed level indicator will flash and blower (motor) will turn off after 3 minutes.
 - During this 3 minutes delay, changing speeds will not affect the countdown.
 - The 3 minute Power-Off Delay Timer function can be cancelled by pressing *Power* button once.
 - Immediate Power-off
 - When the fans are operating in normal mode (Power-Off Delay Timer inactivated), rapidly press the Power Control (On/Off) button twice to turn off the blower (motor).
 - Lights:
 - Press *Light* button once to turn on the lights, press again to dimming the light, and once again to turn off the lights.

Troubleshooting



1. If the range hood or halogen light does not operate after installation:
 - Check if the range hood has been plugged in, make sure that all power has been turned back ON, fused not blown and all electrical wiring are properly connected.
 - Swap out light assembly to working ones to determine whether it is caused by defective bulbs. See *Replacing the light bulbs* on Page 22.
2. The range hood vibrates when the blower is on:
 - The range hood might not have been secured properly on to the ceiling or wall.
3. The blower or fan seems weak:
 - Check that the duct sized used is at least 8" or 3-1/4 x 10". Range hood WILL NOT function efficiently with insufficient duct size. For example: 10" duct over 8" hole and loosely secured.
 - Check if duct is clogged or if damper unit (half-circular flapper) is not installed correctly or opening properly. A tight mesh on a side wall cap unit might also cause restriction to the air flow.
4. The lights work but the blower is not spinning at all, is stuck or is rattling.
 - The blower might be jammed or scraping the bottom due to shipping damage. Please contact us immediately.
5. The hood is not venting out properly:
 - Make sure the distance between the stove top and the bottom of the hood is within* 30" and 36" in distance. *Due to different ceiling height configurations, recommended height may not be applicable.
 - Reduce the number of elbows and length of duct work. Check if all joints are properly connected, sealed, and taped.
 - Make sure the power is on high speed for heavy cooking.

NOTE: For all other inquiries, please contact us. Our contact information can be found on the back cover page.

Use and Care Information

Operations:

- Read and understand all instructions and warnings in this manual before operating the appliance. Save these instructions for future reference.
- Always leave safety grills and filters in place. Without these components, operating blowers could catch on to hair, fingers and loose clothing.
- NEVER dispose cigarette ashes, ignitable substances, or any foreign objects into blowers.
- NEVER leave cooking unattended. When frying, oil in the pan can easily overheat and catch fire. The risk of self combustion is higher when the oil has been used several times.
- NEVER cook on “open” flames under the range hood. Check deep-fryers during use: Superheated oil may be flammable.

Cleaning:

- The saturation of greasy residue in the blower and filters may cause increased inflammability. Keep unit clean and free of grease and residue build-up at all times to prevent possible fires.
- Filters must be cleaned periodically and free from accumulation of cooking residue (see *cleaning instructions* on Page 20). Old and worn filters must be replaced immediately.
- DO NOT operate blowers when filters are removed. Never disassemble parts to clean without proper instructions. Disassembly is recommended to be performed by qualified personnel only. Read and understand all instructions and warnings in this manual before proceeding.

Specifications

Specifications :	
Body Design	Seamless Stainless Steel, Satin Finish
Power Rating	120V/60Hz (USA & Canada standard)
General Input Power	30" & 36": 246W / 42" & 48" & 54" & 60": 252W
Motor Input Power	240W
Ampere	3 A
Levels Of Speed Control	4 Levels
Max. Airflow	1260CFM
Max. Noise Level	7.5Sone(69dB)
Number Of Motors	Single Motor
Motor Type	Single Chamber Ultra Quiet
Fan Type	Centrifugal Squirrel Cage
Control Type	Electronic Control Panel
Filtration Type	Stainless Steel Baffle Filter
Illumination	LED 3W 12V
Venting Size	8 Inches Round
Interference Protection	Radio Frequency Interference Protected

1. In House Test Static Pressure “0”.

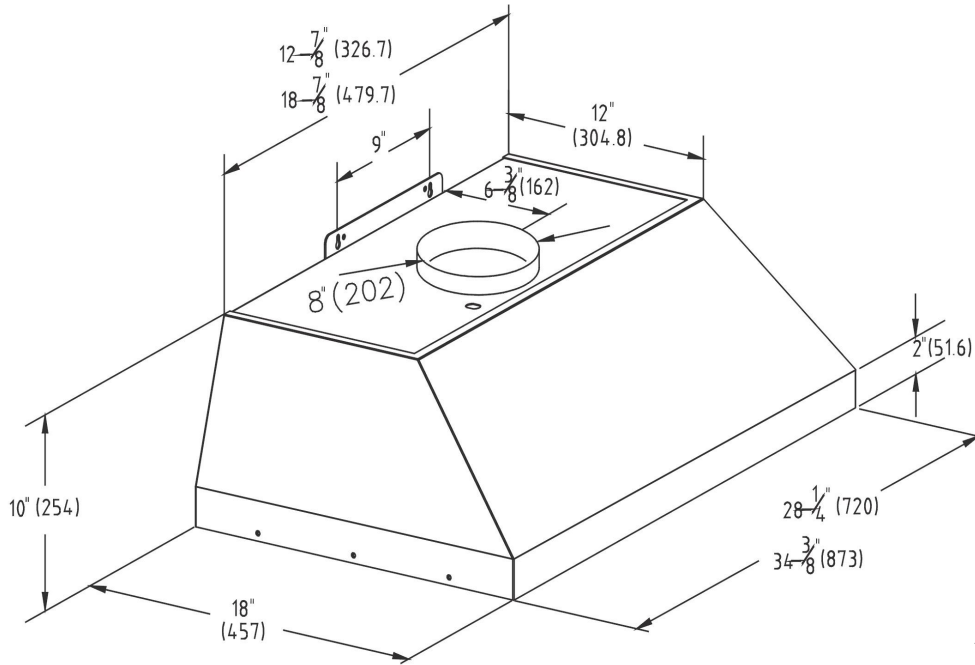
2. One sone is roughly equivalent to the sound of a refrigerator (1kHz) at 40 decibels.

3. Subject to change without notice, please contact your local reseller for details.

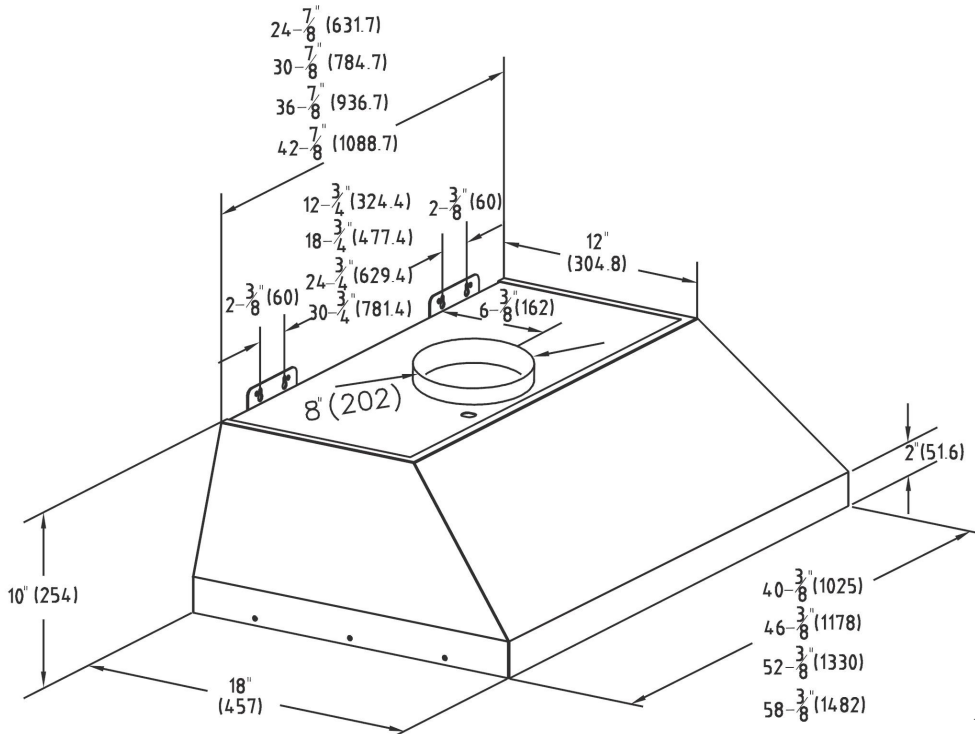
Measurements & Wiring Diagram

- All measurements in parenthesis are in millimeter.
- All inch measurements are converted from millimeters, thus inch measurements are estimated.

Professional Insert Liner

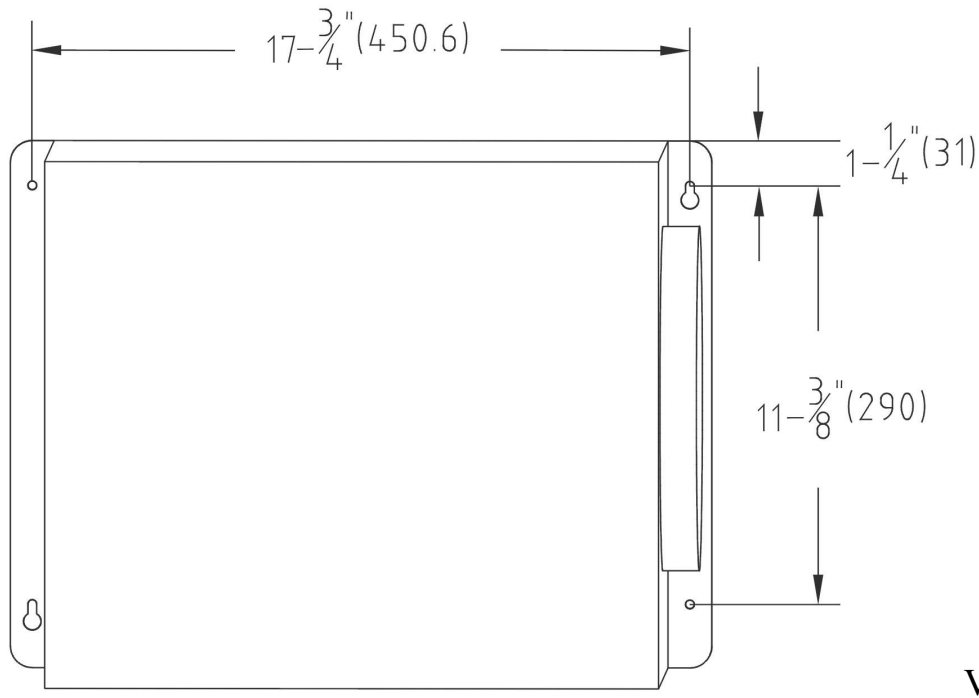


VH-30,36

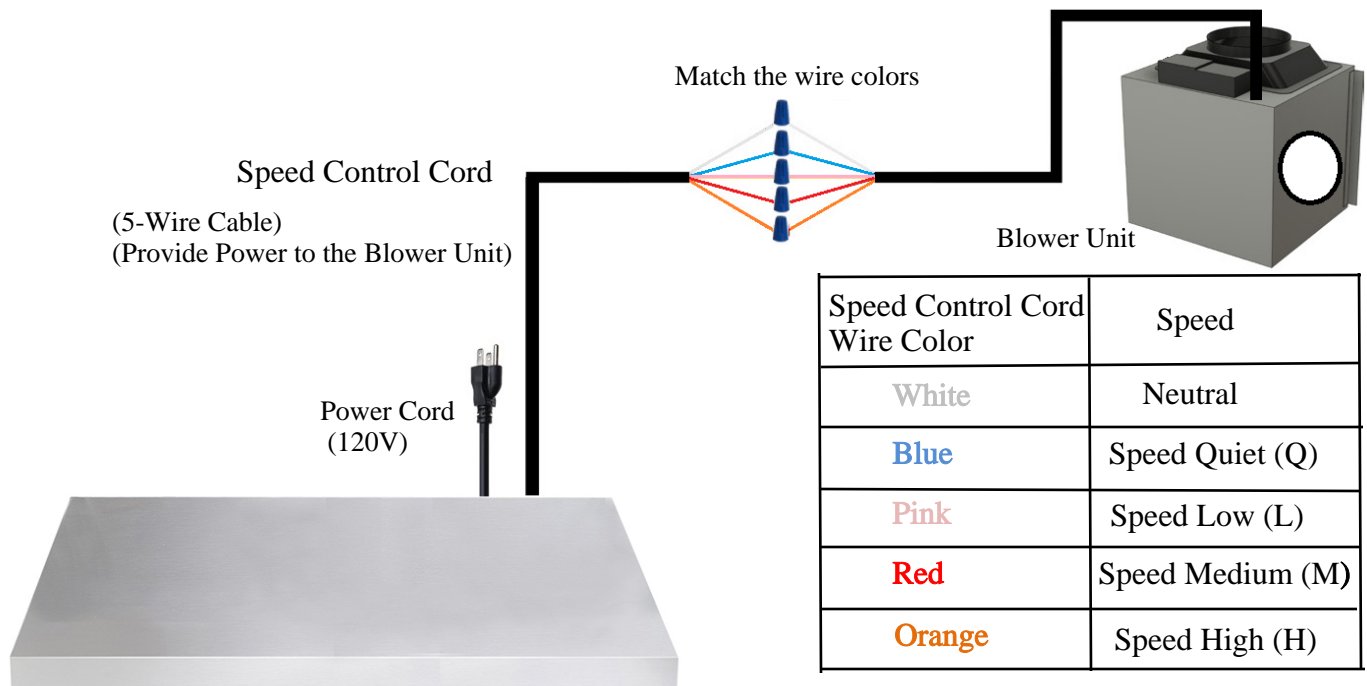


VH-42,48,54,60

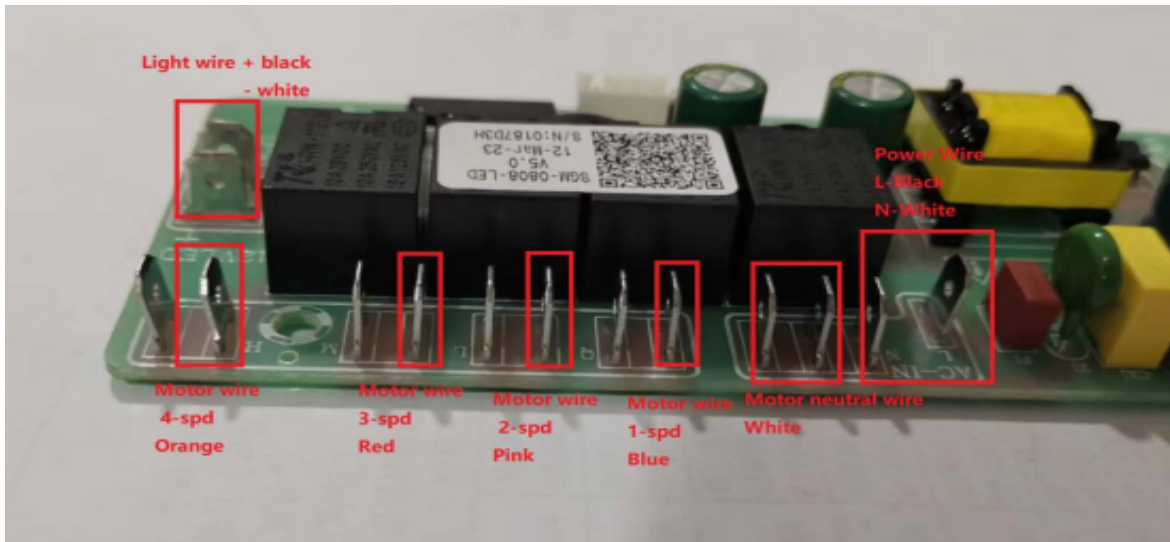
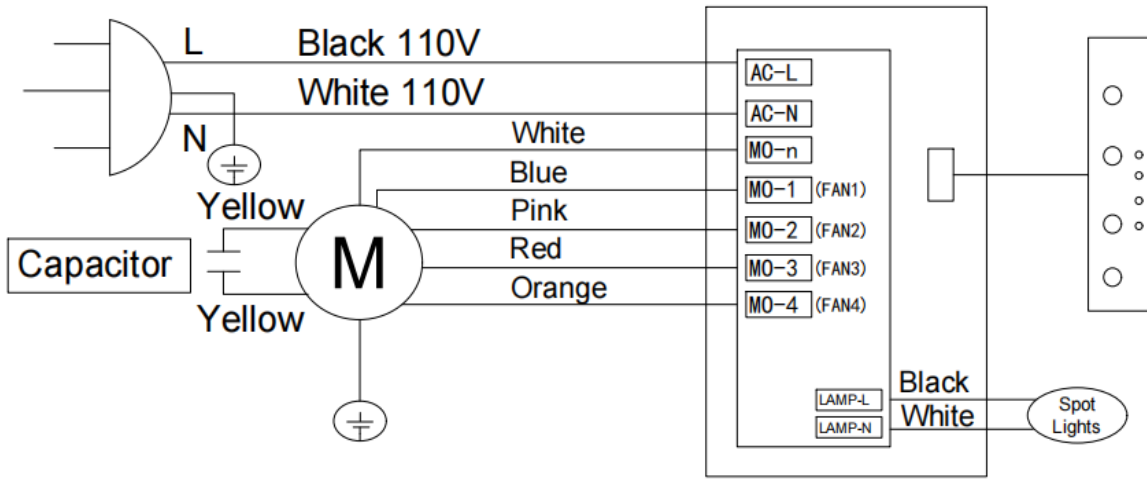
Measurements & Wiring Diagram (Continued)



Wiring Diagram (4 Speed)



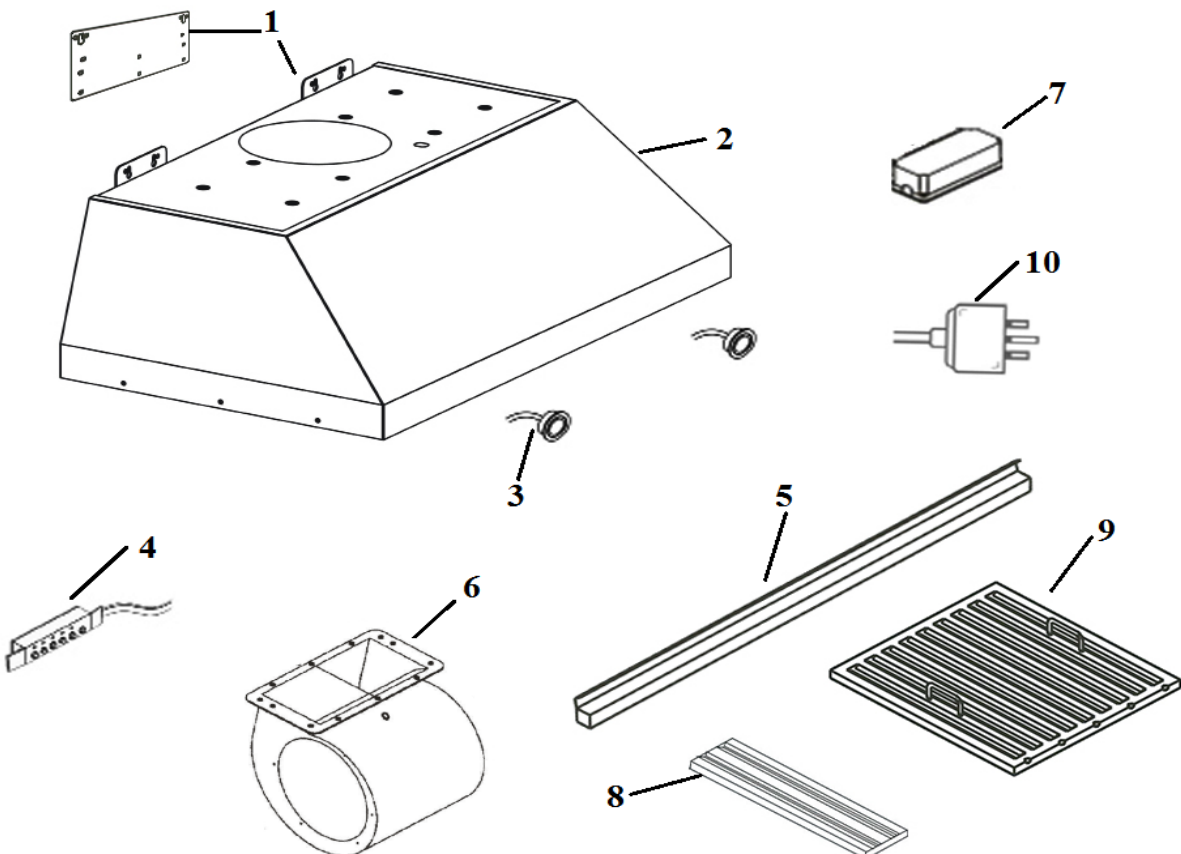
Measurements & Wiring Diagram (Continued)



Measurements & Wiring Diagram (Continued)

Range Hood Assembly:

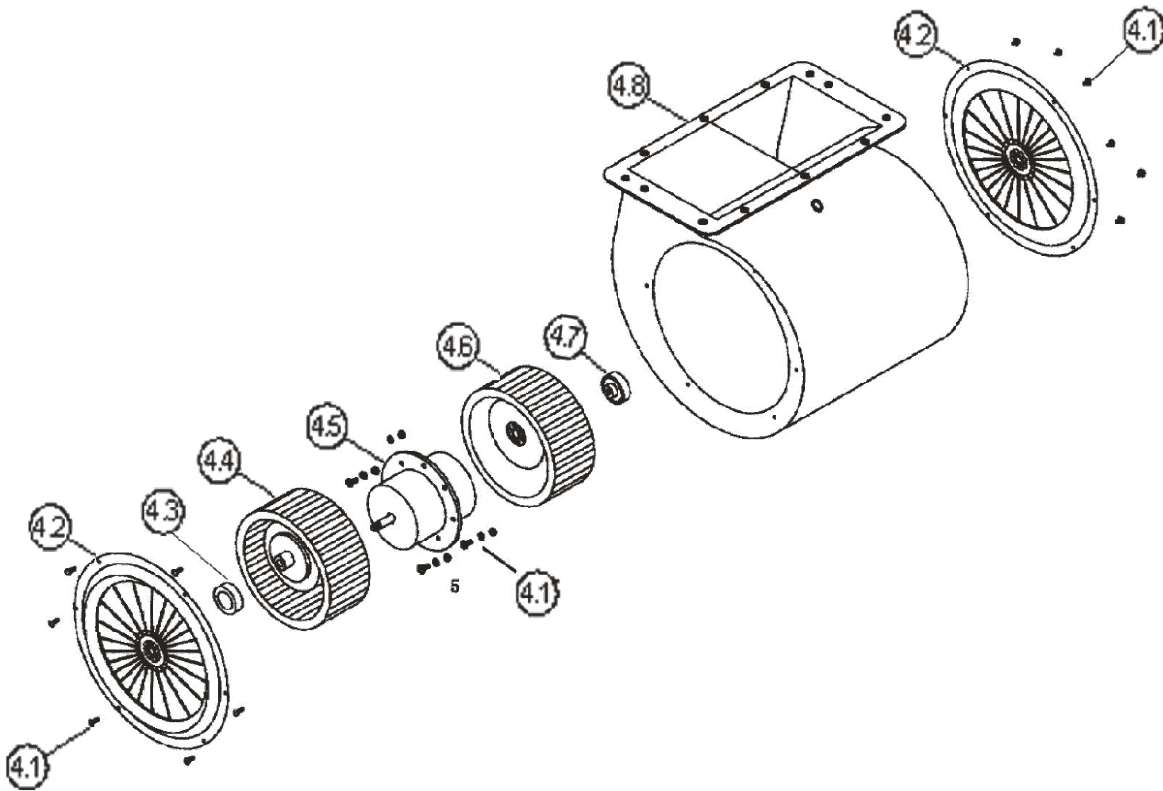
No.	Description	Quantity
1	Hood-Mounting Bracket	1(30" & 36") 2(42" & 48" & 54" & 60")
2	Hood Body	1
3	Light	2(30" & 36") 4(42" & 48" & 54" & 60")
4	Control Switch	1
5	Oil Tunnel	1
6	Blower Assembly (Motor, Fan Blade, Protective Grill and Squirrel Cage)	1
7	Electrical Assembly	1
8	Stainless Steel Spacer	1(36" & 54") 2(42" & 60") 3(48")
9	Baffle Filter	2 (30" & 36" & 42" & 48") 3 (54" & 60")
10	Power Cord	1



Measurements & Wiring Diagram (Continued)

Blower Assembly:

No.	Description	No.	Description
4.1	Air Chamber	4.5	Motor
4.2	Air Flow Grill	4.6	Right Squirrel Cage
4.3	Left Locknut	4.7	Right Locknut
4.4	Left Squirrel Cage	4.8	Air Chamber



Maintenance

SAFETY WARNING: Never put your hand into area housing the fan while the fan is operating!

For optimal operation, clean range hood and all baffle/spacer/filter/grease tunnel/oil container regularly. Regular care will help preserve the appearance of the range hood.

Cleaning Exterior surfaces:

- Clean periodically with hot soapy water and clean cotton cloth. Do not use corrosive or abrasive detergent (e.g. Comet Power Scrub[®], EZ-Off[®] oven cleaner), or steel wool/scoring pads, which will scratch and damage the stainless steel surface. For heavier soil use liquid degrease such as “Formula 409[®]” or “Fantastic[®]” brand cleaner.
- If hood looks splotchy (stainless steel hood), use a stainless steel cleaner to clean the surface of the hood. Avoid getting cleaning solution onto or into the control panel. Follow directions of the stainless steel cleaner. **CAUTION: Do not leave on too long as this may cause damage to hood finish.** Use soft towel to wipe off the cleaning solution, gently rub off any stubborn spots. Use dry soft towel to dry the hood.
- After cleaning, you may use non abrasive stainless steel polish such as 3M[®] or ZEP[®], to polish and buff out the stainless luster and grain. Always scrub lightly, with clean cotton cloth, and with the grain.
- DO NOT allow deposits to accumulate or remain on the hood.
- DO NOT use ordinary steel wool or steel brushes. Small bits of steel may adhere to the surface and cause rusting.
- DO NOT allow salt solutions, disinfectants, bleaches, or cleaning compounds to remain in contact with stainless steel for extended periods. Many of these compounds contain chemicals, which may be harmful. Rinse with water after exposure and wipe dry with a clean cloth.

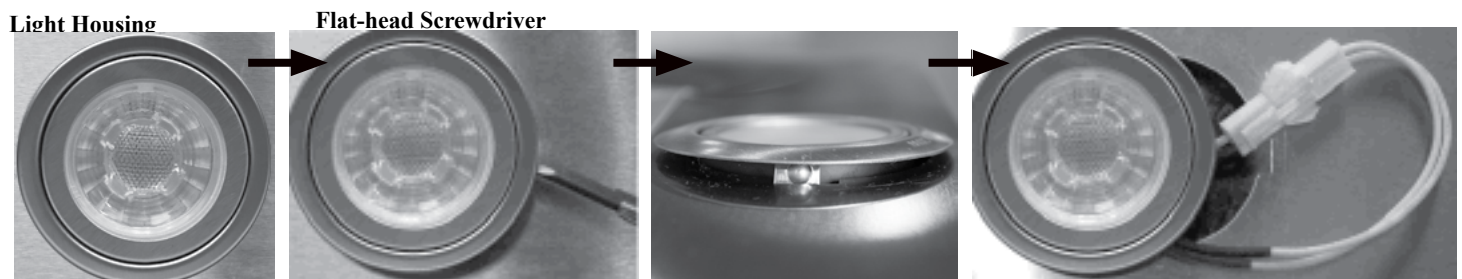
Cleaning Filters:

IMPORTANT: Drain oil from oil containers before oil and residue overflow!

- The metal filters fitted by the factory are intended to filter out residue and grease from cooking. It need not be replaced on a regular basis but are required to be kept clean.
- Filters should be cleaned after every 30 hours of use.
- Remove and clean by hand or dishwasher. Spray “Formula 409[®]” or equivalent degreasing detergent and leave to soak if heavily soiled. Dry filters and re-install before using hood.

Replacing the light bulb:

- This range hood uses LED light fixture: 3W Max 12V LED
- Make sure the range hood is unplugged or turn OFF breaker and the lights are cool to touch.
- Place a flat-head screwdriver between light housing and hood body, gently pry up the light housing and search for the metal clip.
- Apply force to the metal clip and pull out the light fixture. Disconnect the power cable and discard the old light fixture.
- Reverse the steps to install a new halogen light fixture. Turn ON breaker and range hood to test for operation.



WARNING

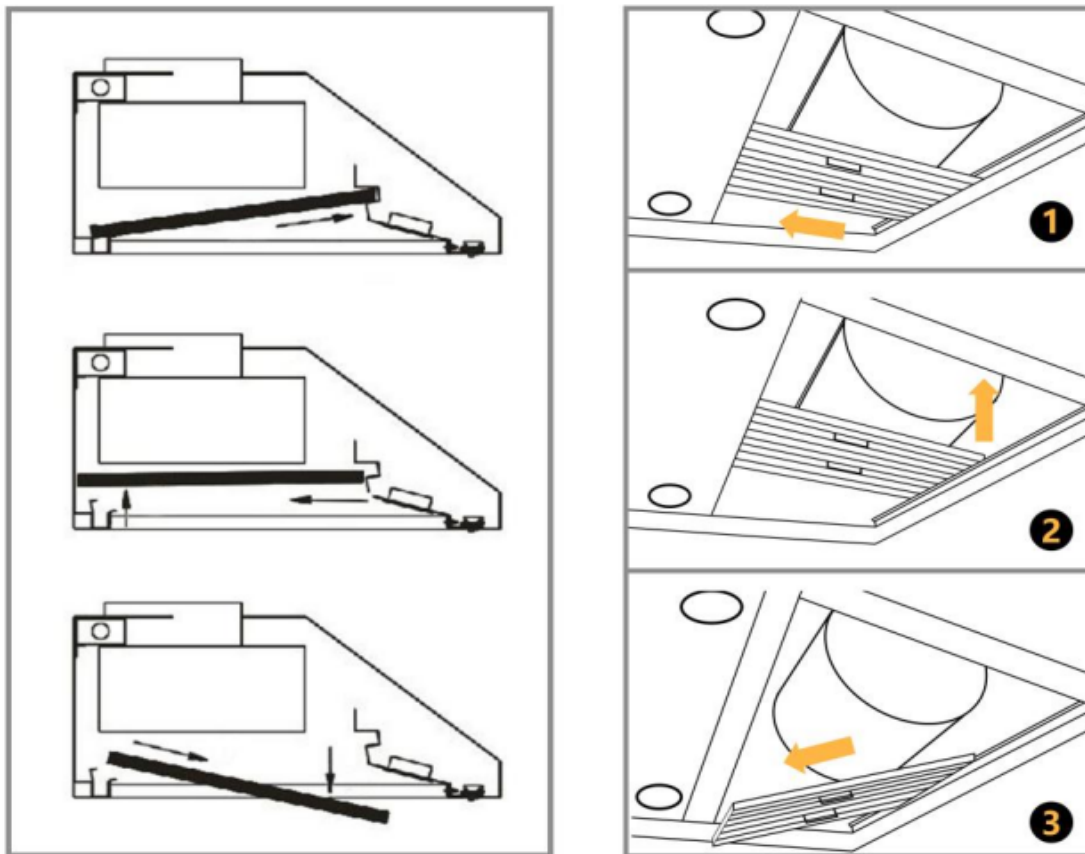
Hazard of Burns!

Light bulb become extremely hot when turned on.
DO NOT touch bulb until switched off and cooled.
Touching hot bulbs could cause serious burns.

Maintenance (Continued)

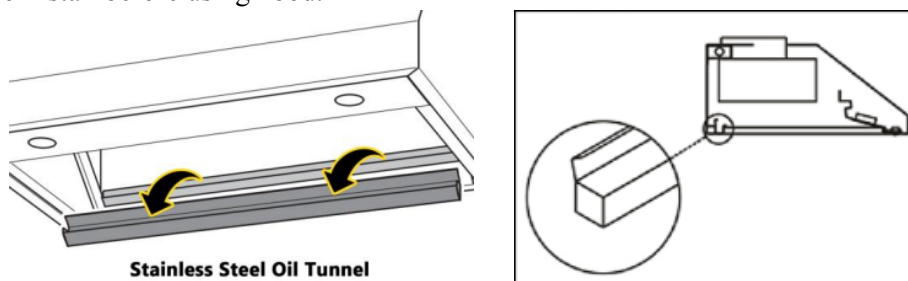
Replacing Filters:

- Should grease filters wear out due to age and prolonged use, please contact your local reseller for replacement filters. (Note: Also replace damaged filter that has punctured or broken mesh, bent or broken frame.)
- To remove the baffle, just reverse the installation process. Please refer to the following steps to remove them.
 1. Take out the middle baffle filter first.
 2. Push toward front of hood to pull it away from the oil tunnel.
 3. Lift the baffle filter up and push back toward the back of hood.
 4. Pull the baffle filter down.
 5. Slide the next filter toward the center of the hood slightly.Repeat step 1 to 5 to remove all baffle filters.



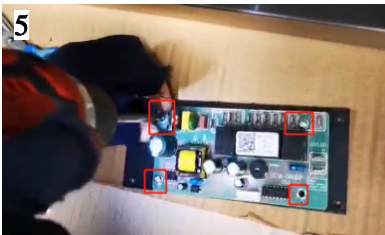
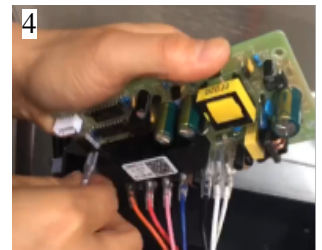
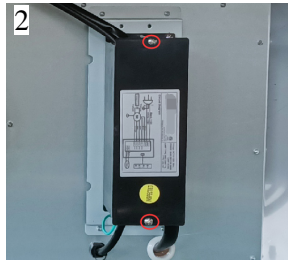
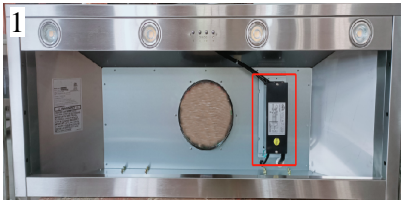
Cleaning Oil Tunnel:

- Filters should be cleaned after every 30 hours of use.
- Clean by hand or dishwasher. Spray “Formula 409[®]” or equivalent degreasing detergent and leave to soak if heavily soiled. Re-install before using hood.



Maintenance (Continued)

1. The circuit board box is located on the right side inside the range hood insert.
2. Use a tool to remove the screws that secure the box panel. Remove the panel and then you can see the circuit board.
3. Remove the screws that secure the circuit board, capacitor and box to take out the circuit board.
4. Unplug the wires connected to the circuit board one by one.
5. Remove the screws that secure the box panel and the circuit board.
6. Replace the circuit board, plug the wires one by one, and then secure the circuit board with screws.
7. Put the circuit board into the board box and screw on the screws.
8. Put the wires back to the box and connecting the capacitor, cover the panel and use screws to secure the panel.



NOTE: Ensure that the range hood is unplugged or the breaker is turned off. Make sure that the colors of the wires match up. If the wire connection is wrong, your vent hood switch, light and fan will not work properly.

Warranty

TO OBTAIN SERVICE UNDER WARRANTY:

You must present proof of original purchase date.

Please provide an original dated proof of purchase (sales receipt / invoice) in order to obtain service under warranty.

One Year Parts Warranty:

For one year from the date of original purchase, your local reseller will provide free of charge, non-consumable replacement parts or components that failed due to manufacturing defects. Subject to the conditions and limitations set forth below, your local reseller will, at its option, either repair or replace any part of its products that prove defective by reason of improper workmanship or materials. Repaired parts or replacement products will be provided by your local reseller on an exchange basis, and will be either new or refurbished to be functionally equivalent to new. The consumer is responsible for all shipping costs. Consumable parts not covered by this warranty include but not limited to: Light bulbs, metal, aluminum and charcoal filters.

Who is Covered:

This warranty is extended to the original purchaser for products purchased for ordinary home use.

This Warranty Will Be Voided When:

Product damaged through negligence, improper installation, accident, abuse, misuse, natural disaster, insufficient or excessive electrical supply, abnormal mechanical or environmental conditions, or any unauthorized disassembly, repair, modification, or failure to follow installation instructions. When product is used commercially or other than its intended purpose. Damaged because of improper connection with equipment of other manufacturers. Repaired or modified by anyone other than your local reseller's authorized agents. This limited warranty also does not apply to any product on which the original identification information has been altered, obliterated or removed, has not been handled or packaged correctly or has been sold as second-hand.

What is Not Covered:

Consumable parts such as light bulbs, metal and charcoal filters. The natural wear of finish, and wear due to improper maintenance, use of corrosive and abrasive cleaning products, pads, and oven cleaner products. Chips, dents or cracks due to abuse, misuse, freight damage, or improper installation. Damage of product caused by accident, fire, floods or act of God. The manufacturer and/or distributor/reseller is not liable for, and does not cover under warranty, any loss of properties or any costs associated with removing, servicing, installing, or determining the source of problems with this product.

This warranty is valid in the country of the original purchase at retail. It is non-transferable and applies only to the original purchaser and does not extend to subsequent owners of this product. Any applicable implied warranties, including the warranty of merchantability, are limited in duration to a period of express warranty as provided herein beginning with the date of original purchase at retail and, no warranties, whether express or implied, shall apply to this product thereafter.

To obtain warranty service, you may contact your local reseller from which you purchased this product. Please confirm the terms of your local reseller's policies prior to contacting. Typically, you must include product identification information, including model number and serial number with a detailed description of the problem you are experiencing. You must also include proof of the date of original retail purchase as evidence that the product is within the applicable warranty period.

Disclaimer

Carefully inspect all items for damages before accepting delivery. Note any damages on the freight bill or express receipt. Request name and signature of the carrier's agent and keep copy to support your claim. Upon acceptance of items, owner assumes responsibility for its safe arrival. Report damages to the carrier and file a claim immediately. Failure to do so may result in the denial of your claim. The carrier will furnish you with necessary forms for filing a claim.

Damages caused during transit are not covered under our warranty. Please contact us to file an insurance claim.

Please inspect contents of package(s) carefully upon receiving! We must be notified of any damages and/or missing parts within five (5) days upon your receipt of package(s). Claims will not be accepted after five (5) days. NOTE: Items were thoroughly tested and carefully packed in our factory before shipping.

Products must be returned in good working condition with ALL original parts and documentation packed in ALL original cartons, fillers and shipping cartons. A restocking fee of 15% will be charged for all approved return(s). Exchanges or returns may not be accepted if any packaging is missing.

Make sure to inspect the hood for damages and defects before installation. Appearance flaws of the hood found after installation and not affecting hood performance is not covered under our warranty for returns or exchanges. Service visits not covered under warranty will carry a service charge.

Before Installation: Return for exchange or refund (please see above for acceptable returns).

After Installation: **NO** exchange or refund.

Contact Us

If you need any assistance, please contact the seller. NOTE: For trouble shooting situation, please have your order number and a clear picture of the serial number label, a video of the malfunction ready. This information will help them better respond to your request.

If you need replacement parts, we recommend that you only use genuine parts. Our accessories and parts are engineered and designed specifically for this series of range hood, each is rigorously tested assuring the utmost in durability and reliability, providing a factory match, factory-installed appearance and functionality tailored to each individual range hood model.

Serial Number

The Serial Number Label is located inside the range hood insert, please refer to below figures. To find it, please remove the grease filters first. This is helpful to have before contacting us for service.

