

HOW TO USE YOUR TEMPLATE

With A Printer

- 1 Print out the templates on A4 paper at 100% size
- 2 Lightly tack the paper (glue stick is ideal) onto some scrap card eg. a cereal box
- 3 Cut the parts out
- 4 Remove the paper template from the card
- 5 Watch the assembly video

No Printer? Use a Tablet Or Screen

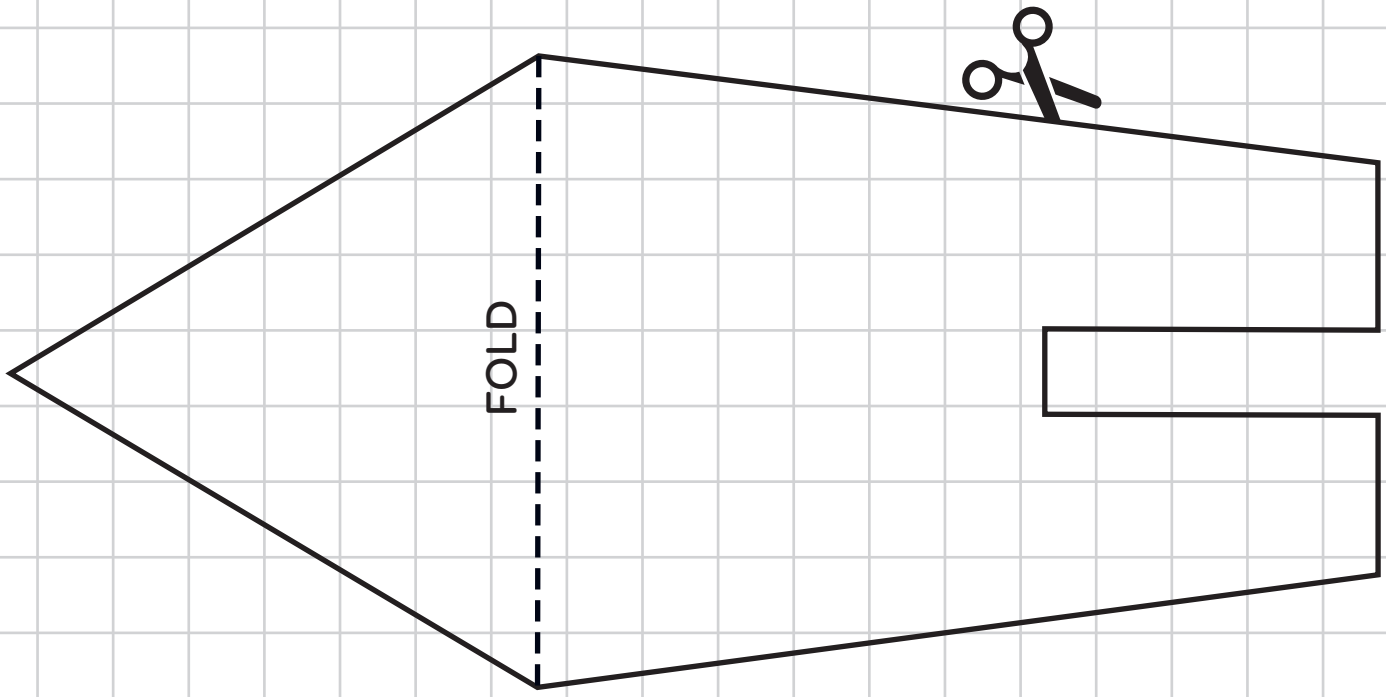
- 1 Place a ruler on the screen and zoom to make the background grid squares 1 cm size
- 2 Place a thin sheet of paper on the screen
- 3 Trace out the shapes
- 4 Lightly tack the paper (glue stick is ideal) onto some scrap card eg. a cereal box
- 5 Cut the parts out
- 6 Remove the paper template from the card
- 7 Watch the assembly video

1 cm
Grid

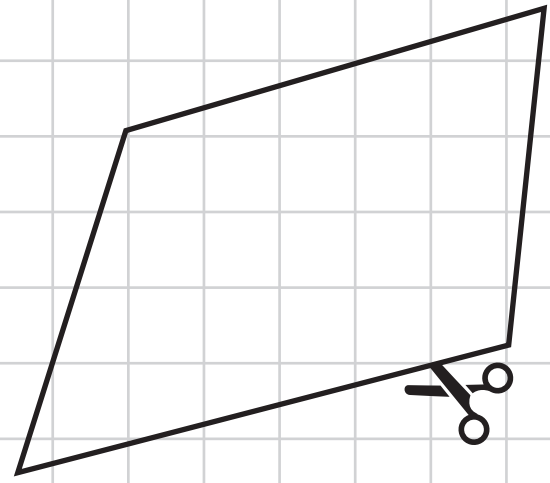
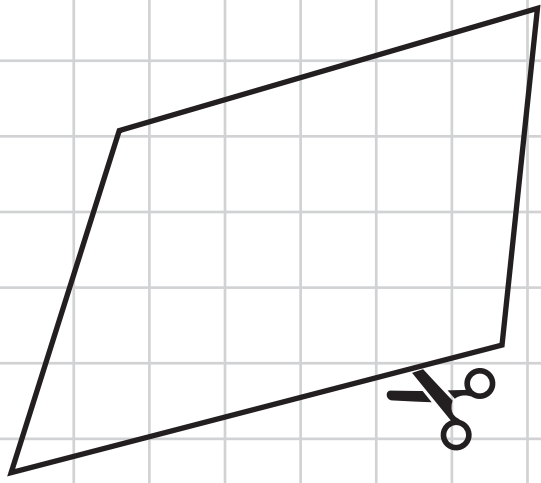
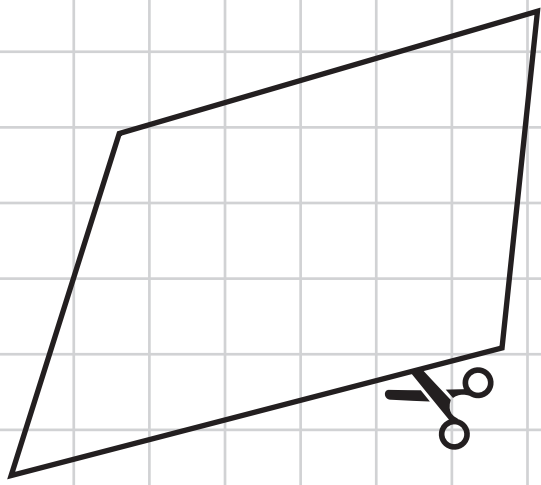
Or...

- 1 Why not try drawing the shapes yourself, no need to be super accurate :)
- 2 Watch the assembly video

ROCKET



1 cm
Grid



ROCKET

1 cm
Grid

