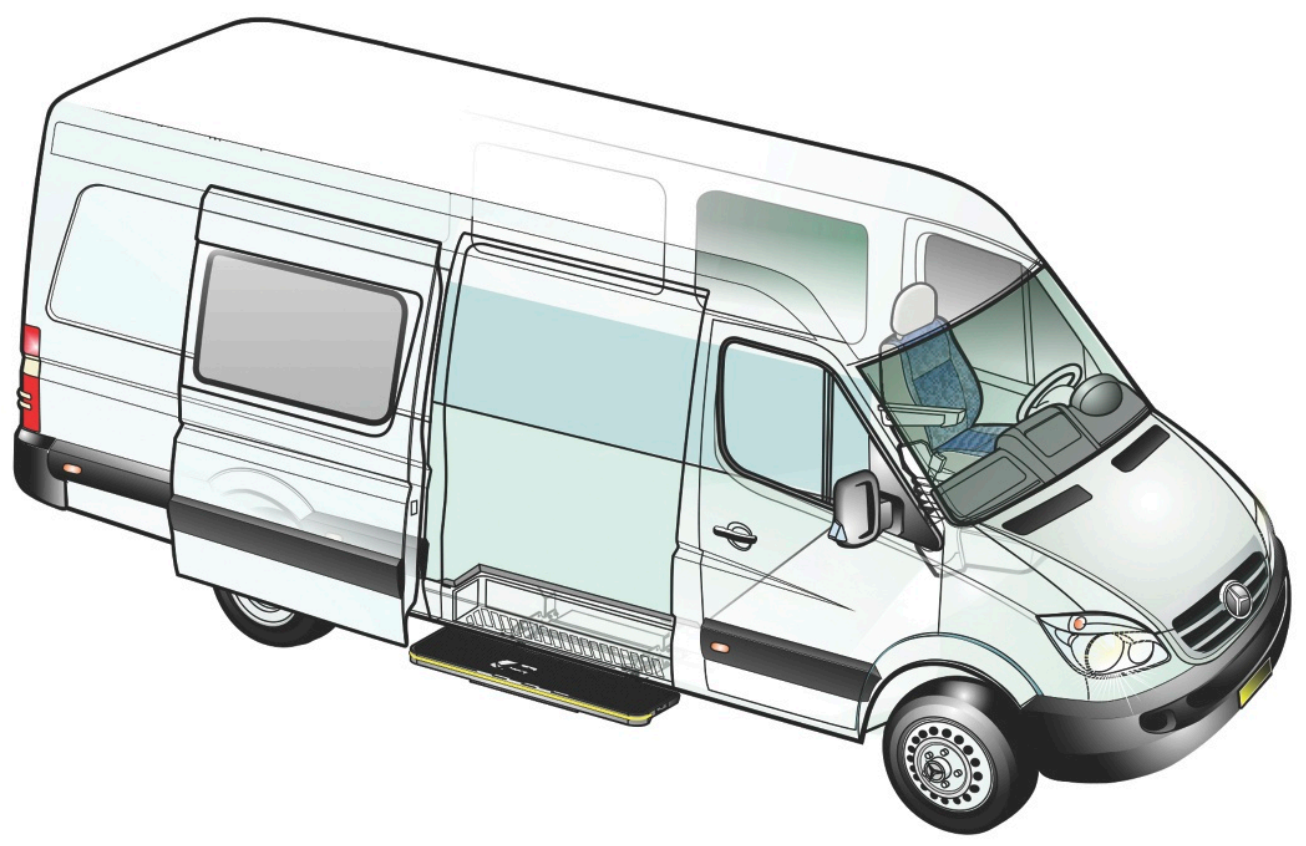




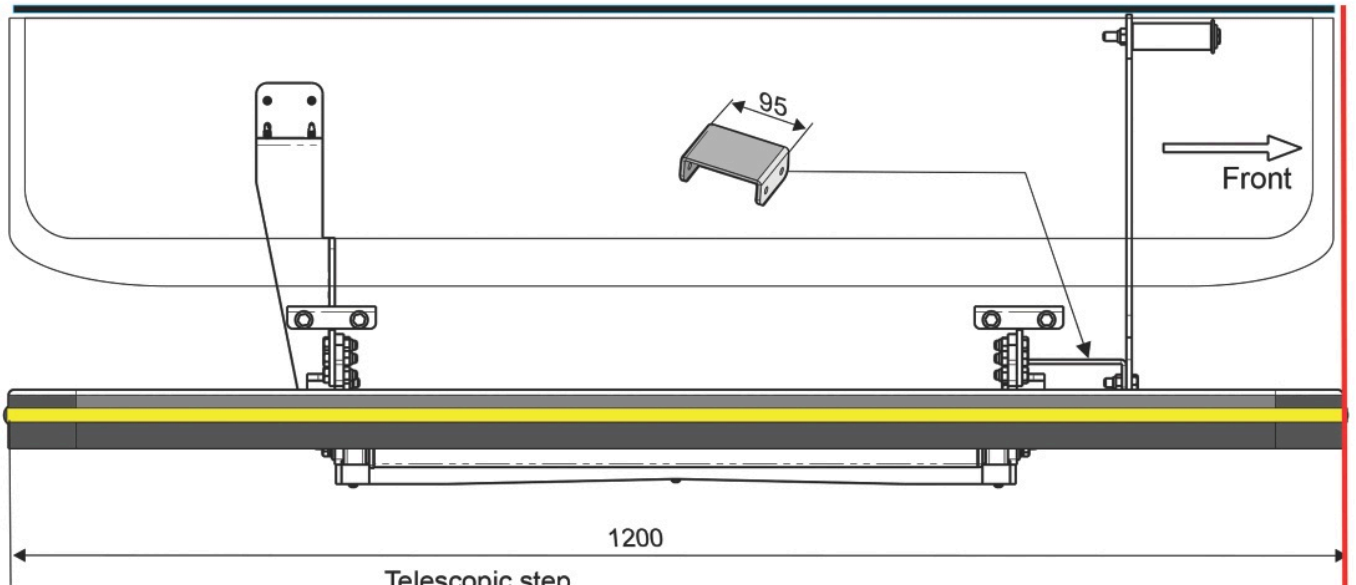
[www.PowerDoorAndStep.com](http://www.PowerDoorAndStep.com)

(888) 928-8000

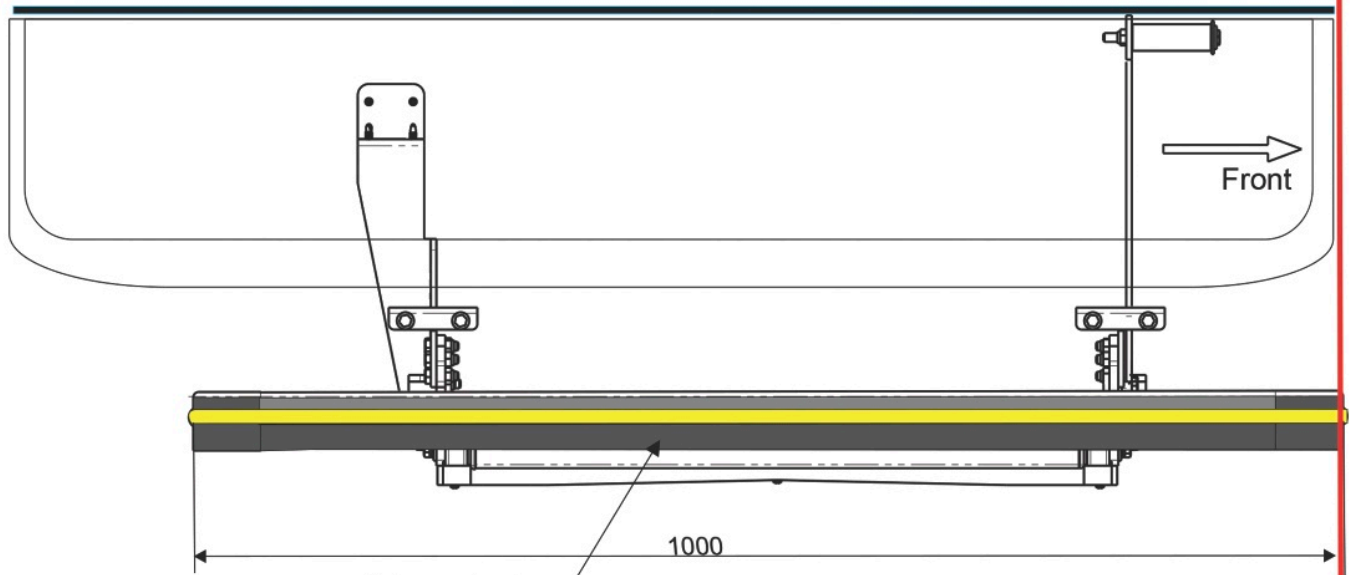
# Mercedes Sprinter



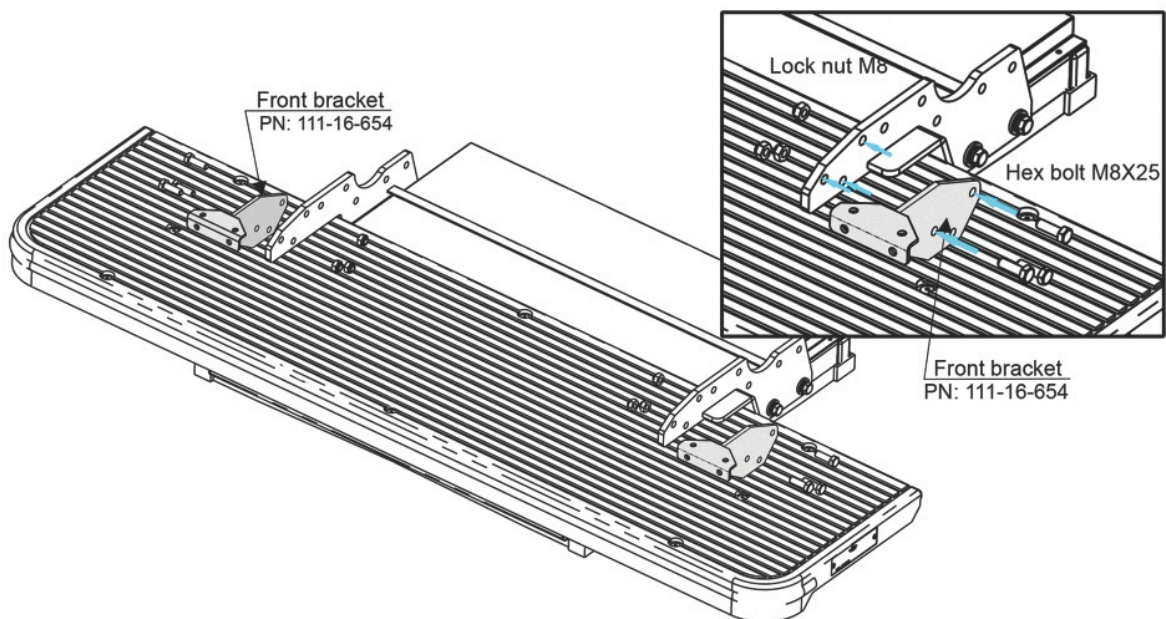
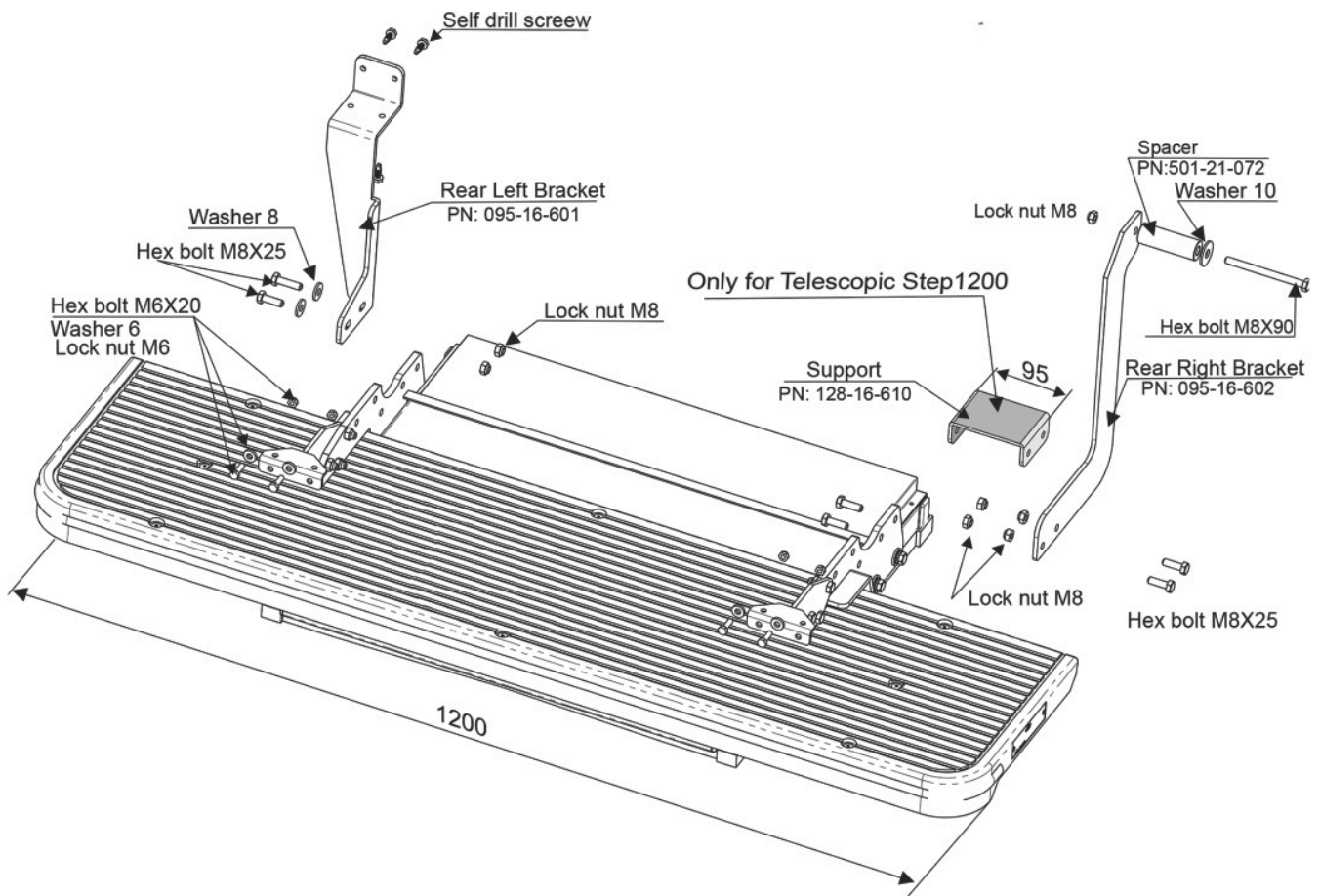
Automatic Power Step  
160-16-61B-MAN Power Step Kit

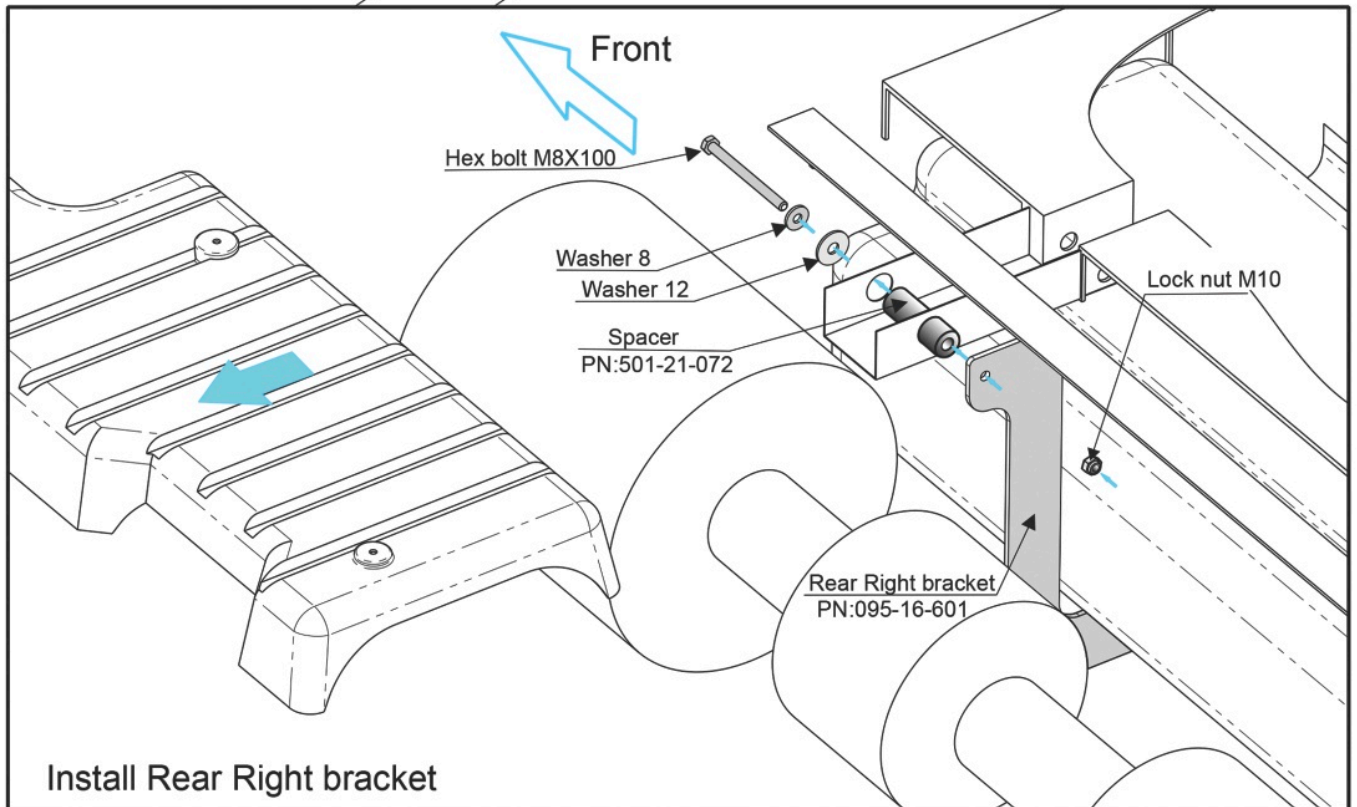
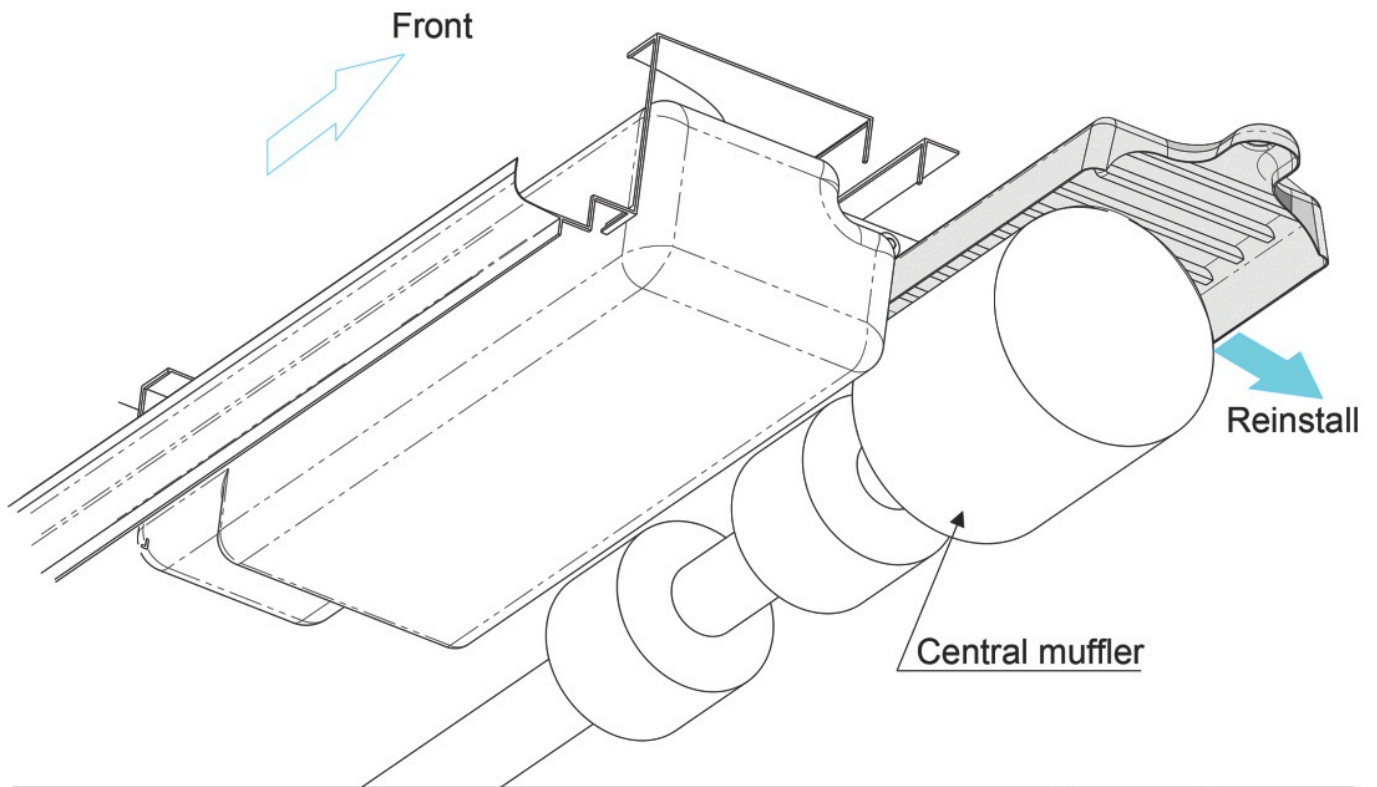


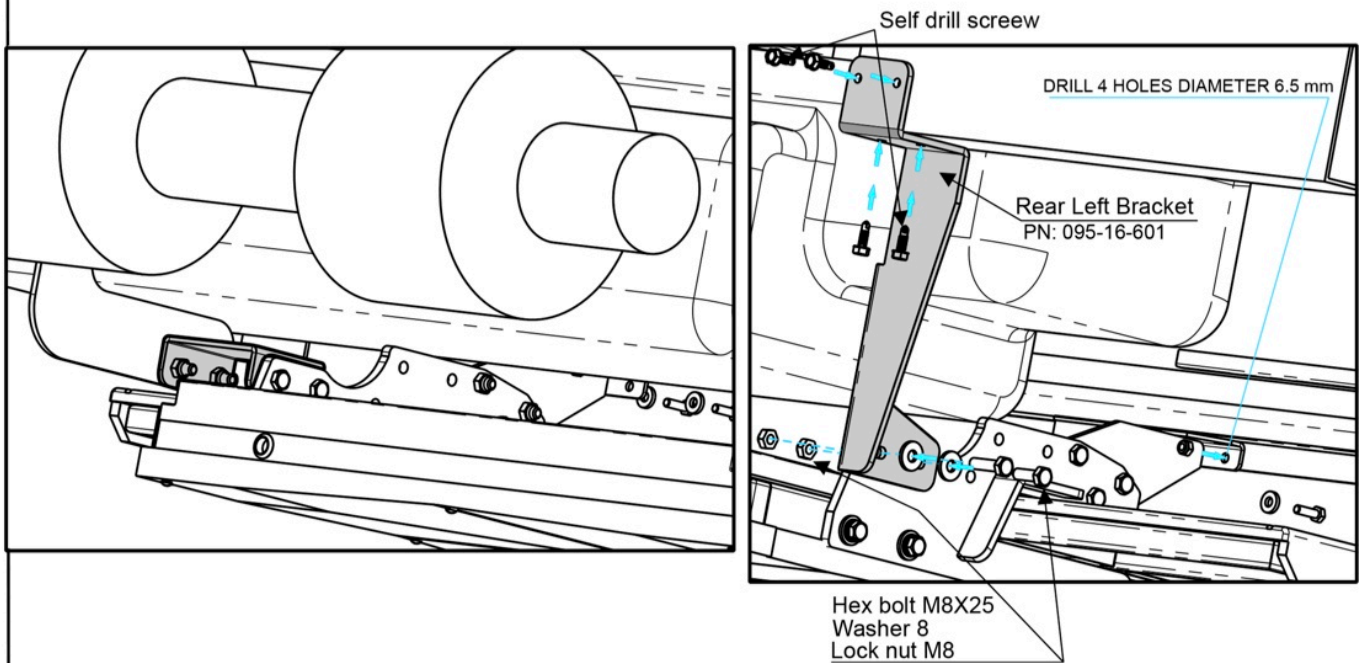
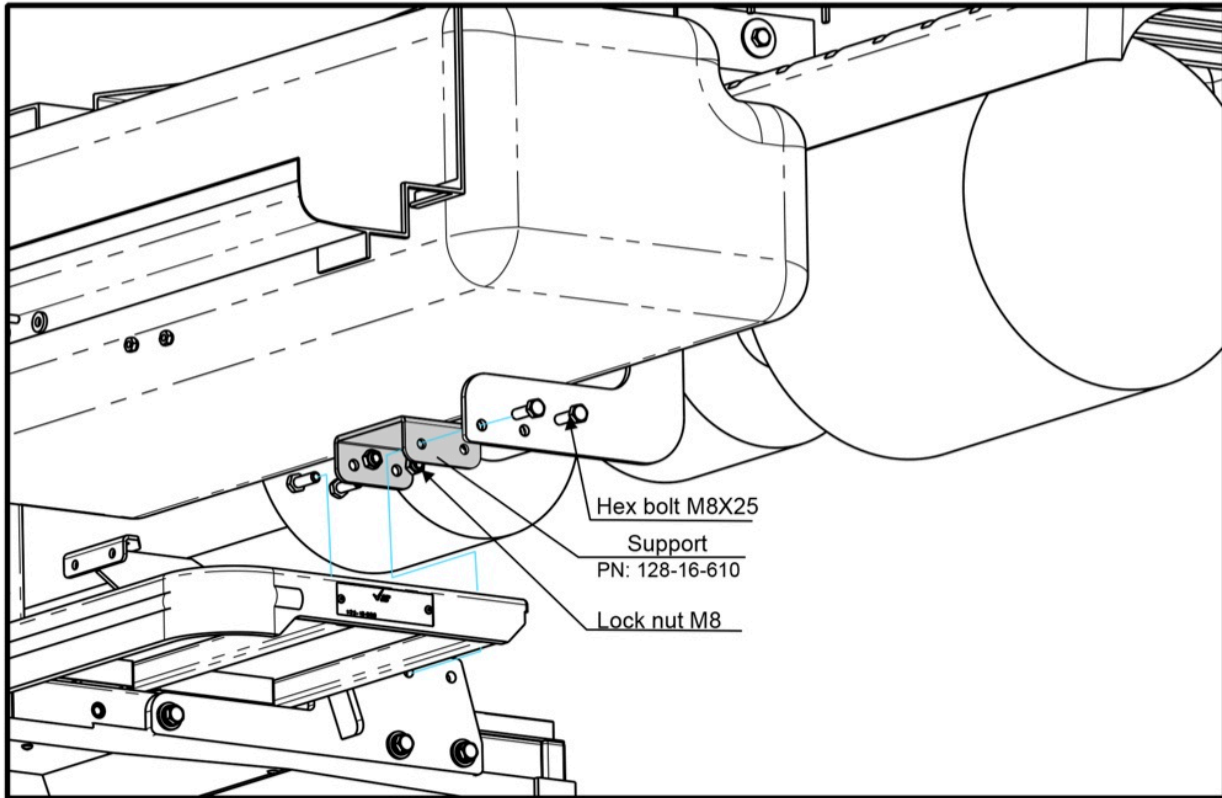
Telescopic step  
PN: 016-00060

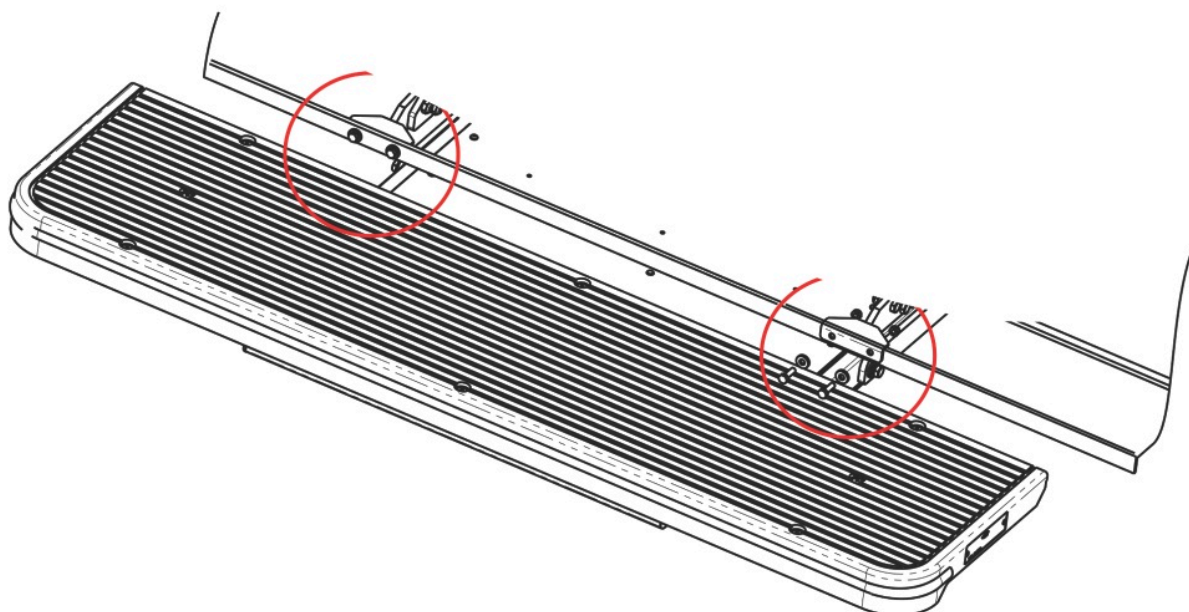


Telescopic step  
PN: 016-00050

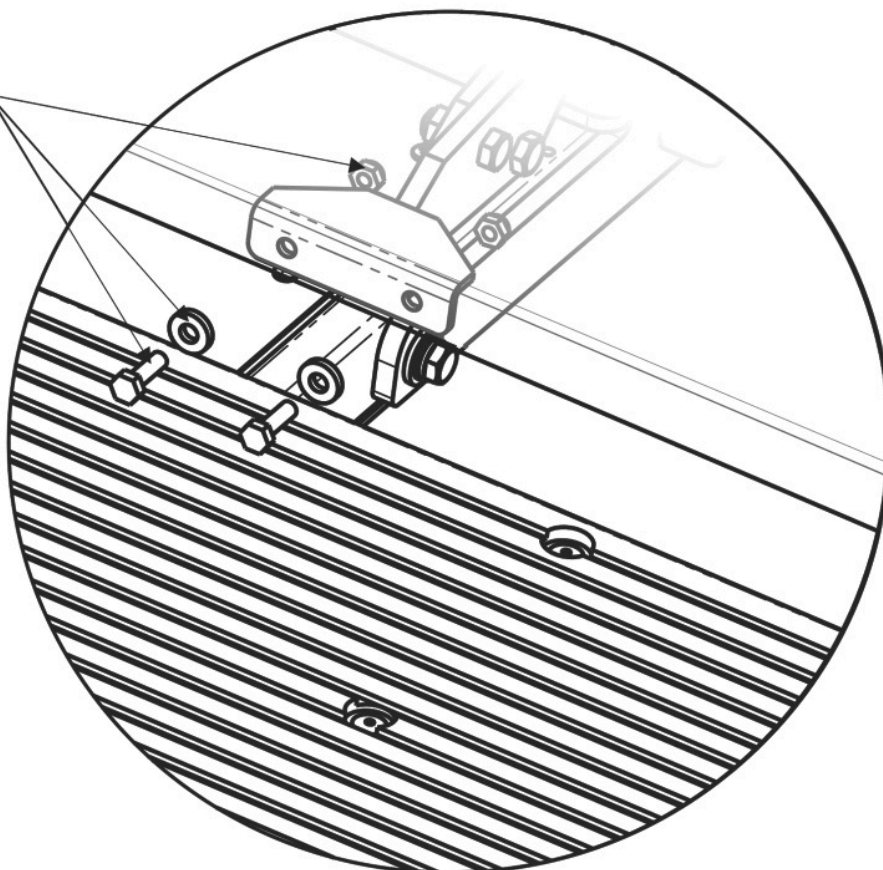


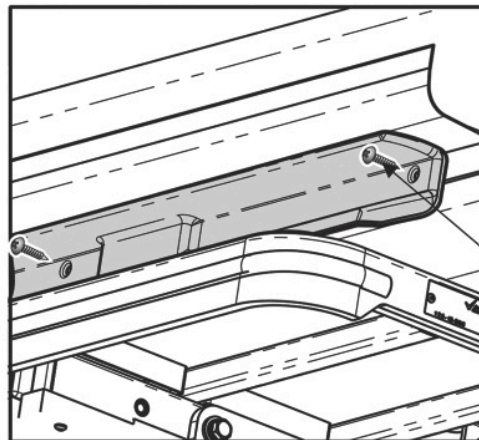
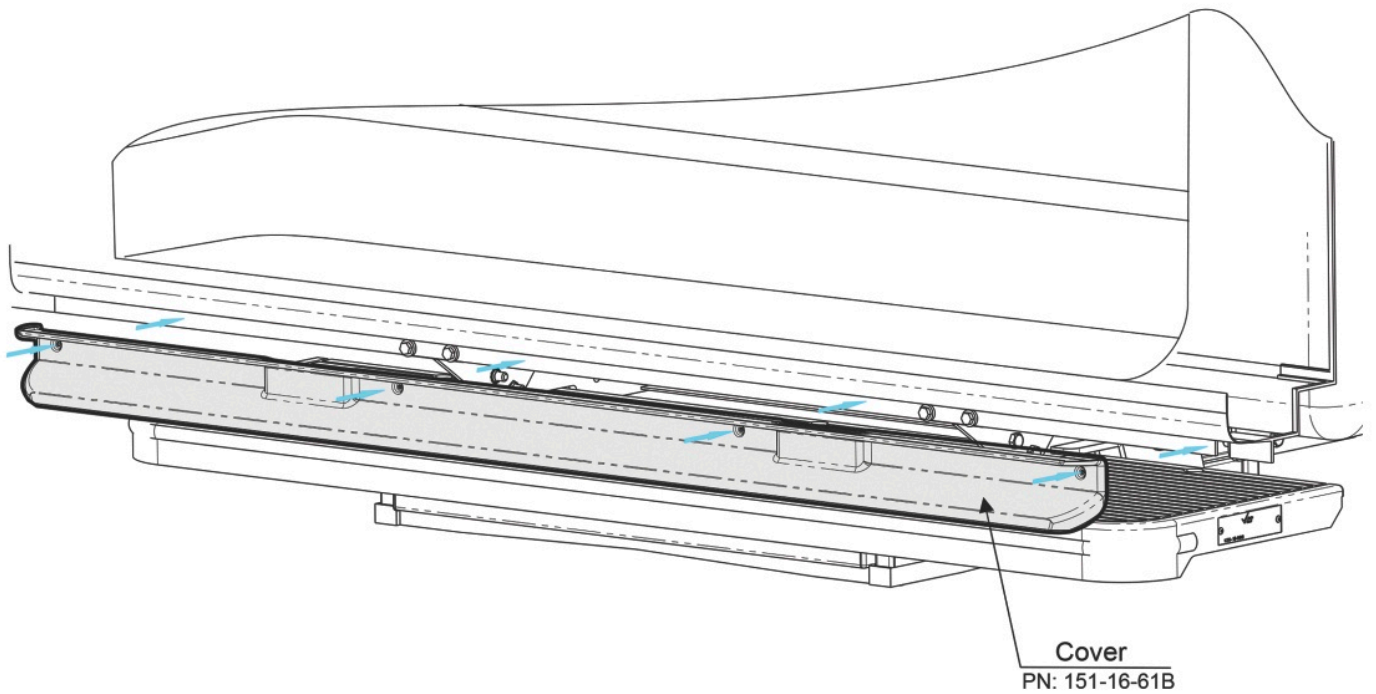


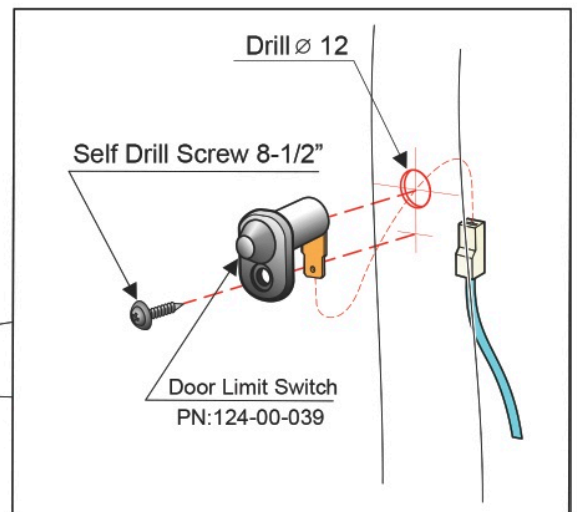
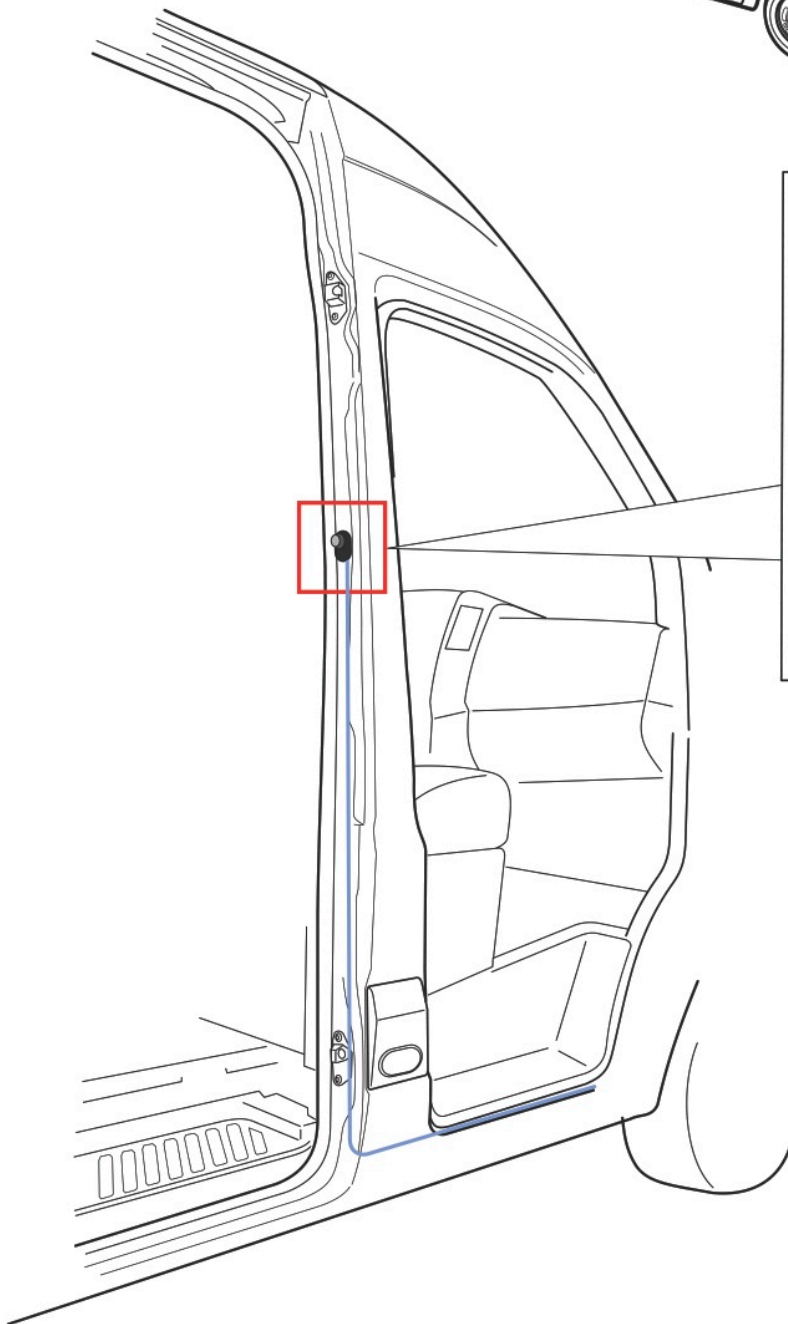
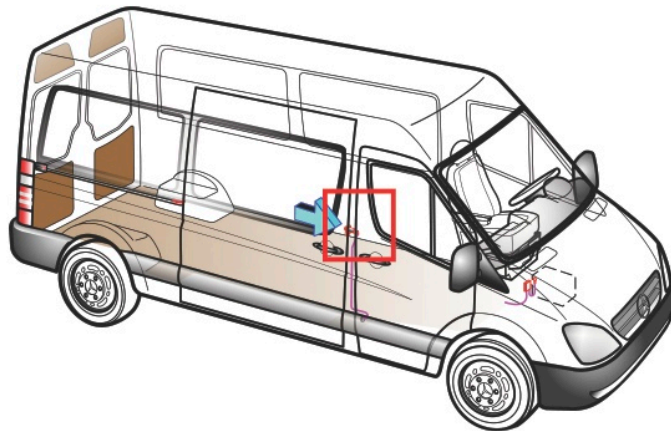




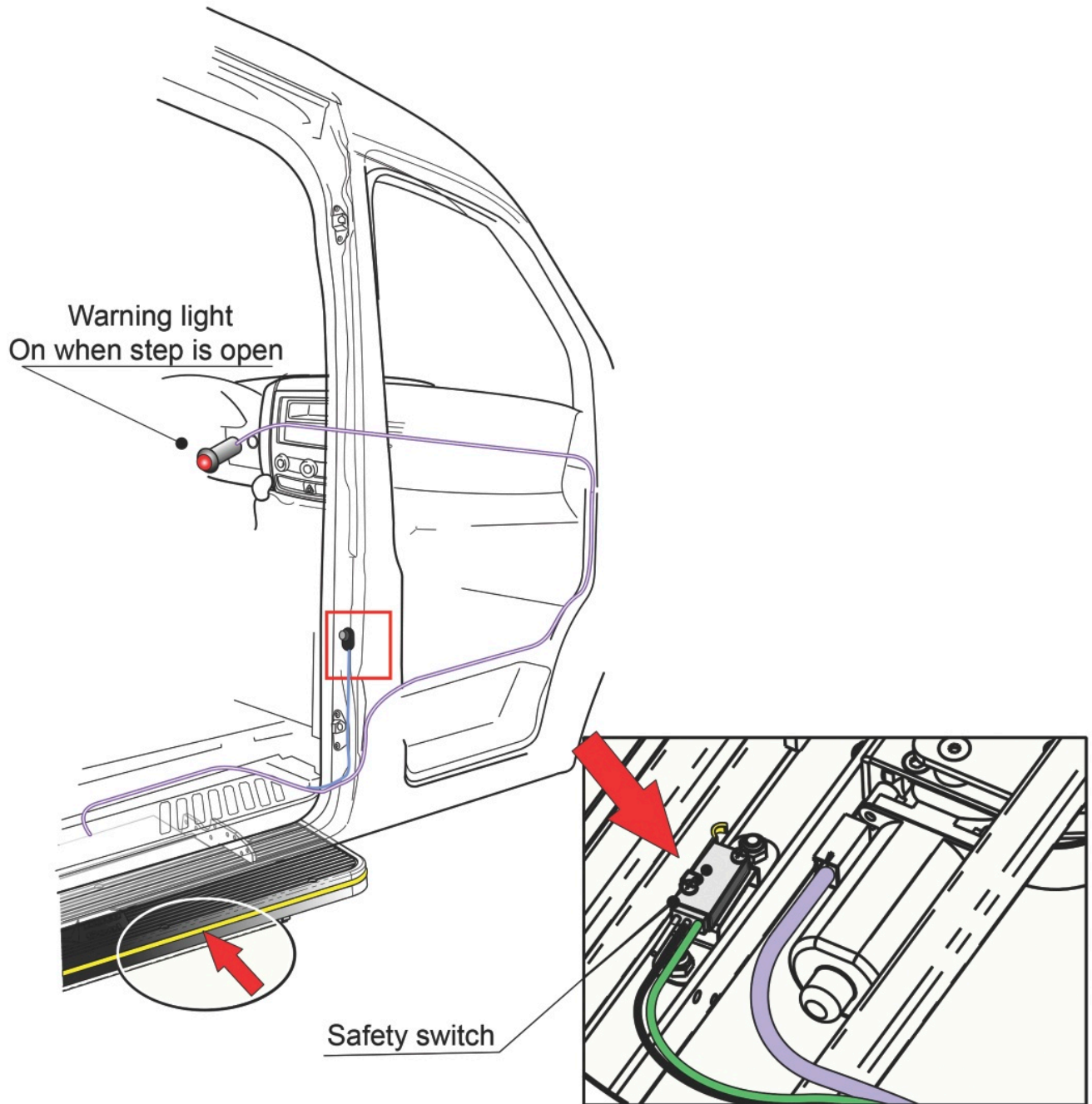
Hex Bolt M6X20  
Lock nut M6  
Washer 6

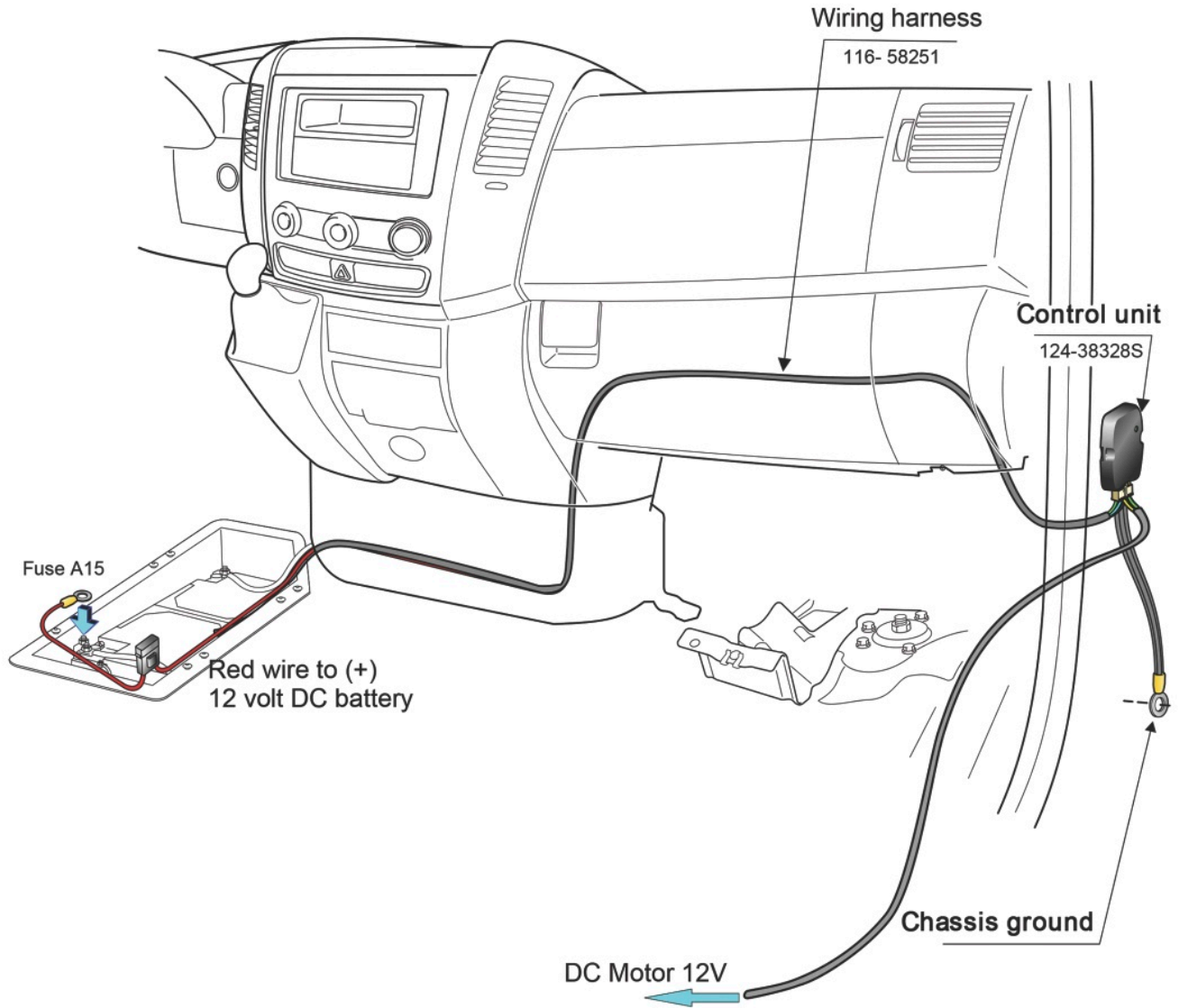




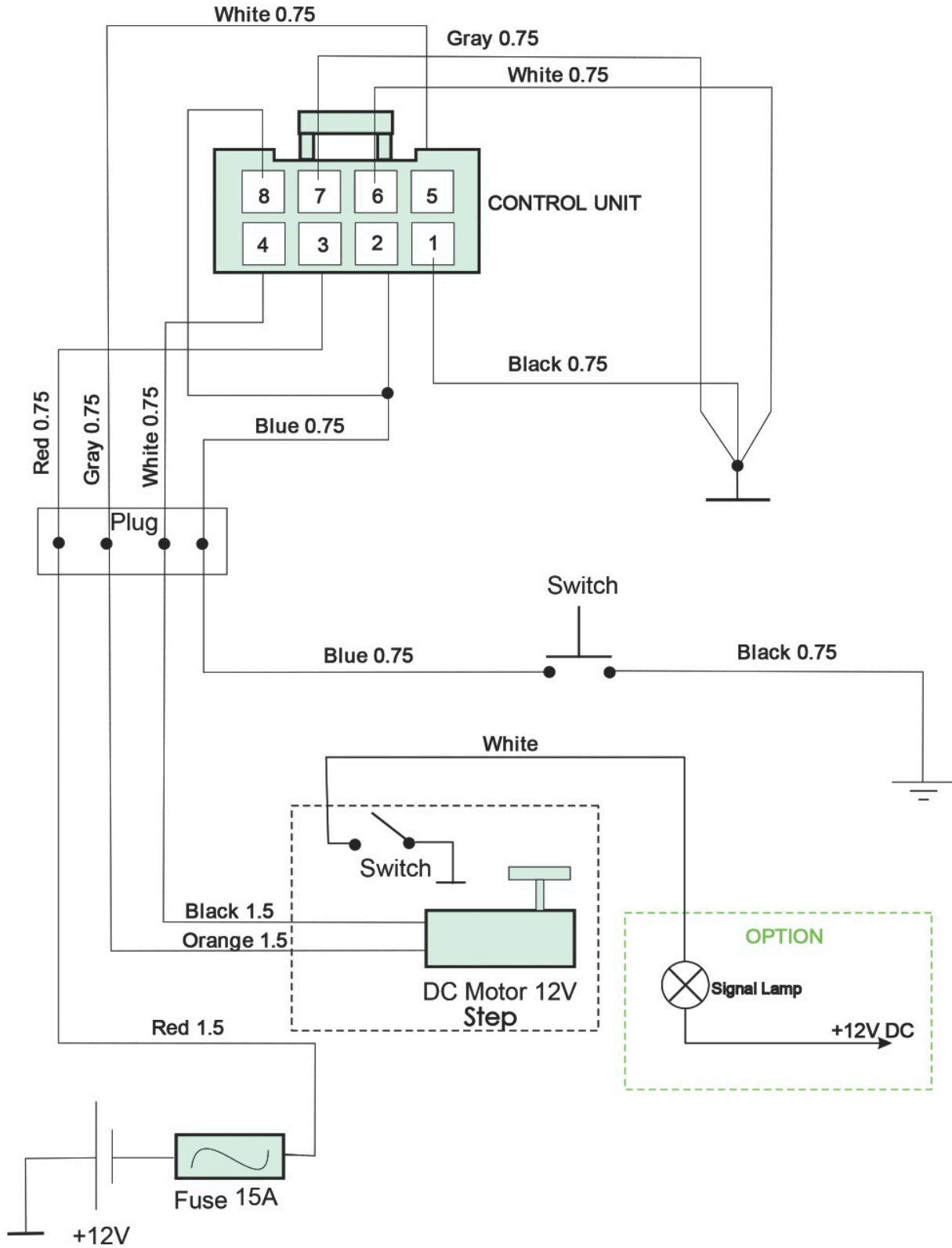








## WIRING DIAGRAM





## EFS system Basic Troubleshooting

1. Step does not function in opening or closing modes.
  - Check main fuse
  - Check connections of power terminals to the control units, motor and operation knob.
  - Check connection of the ground terminal (-)
  - Check control unit

### Important information

To commence regular operation after the EFS has been disconnected from power (Battery change, Faulty fuse etc.) reset the system by pressing the switch a few times.



**Power Door & Step Company**  
**6855 Hayvenhurst Ave | Van Nuys | CA 91406**  
**(888) 928-8000**  
**WWW.POWERDOORANDSTEP.COM**