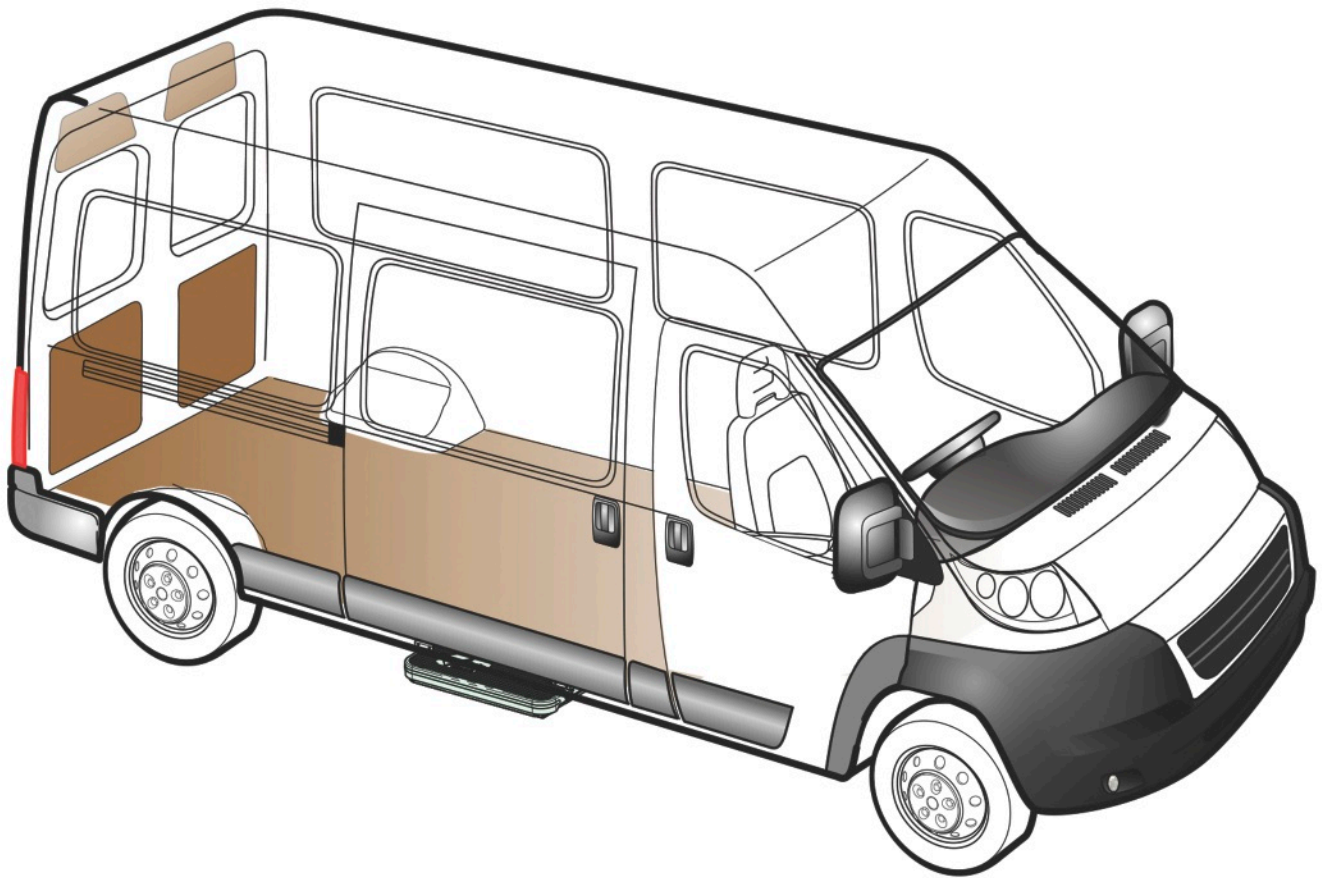




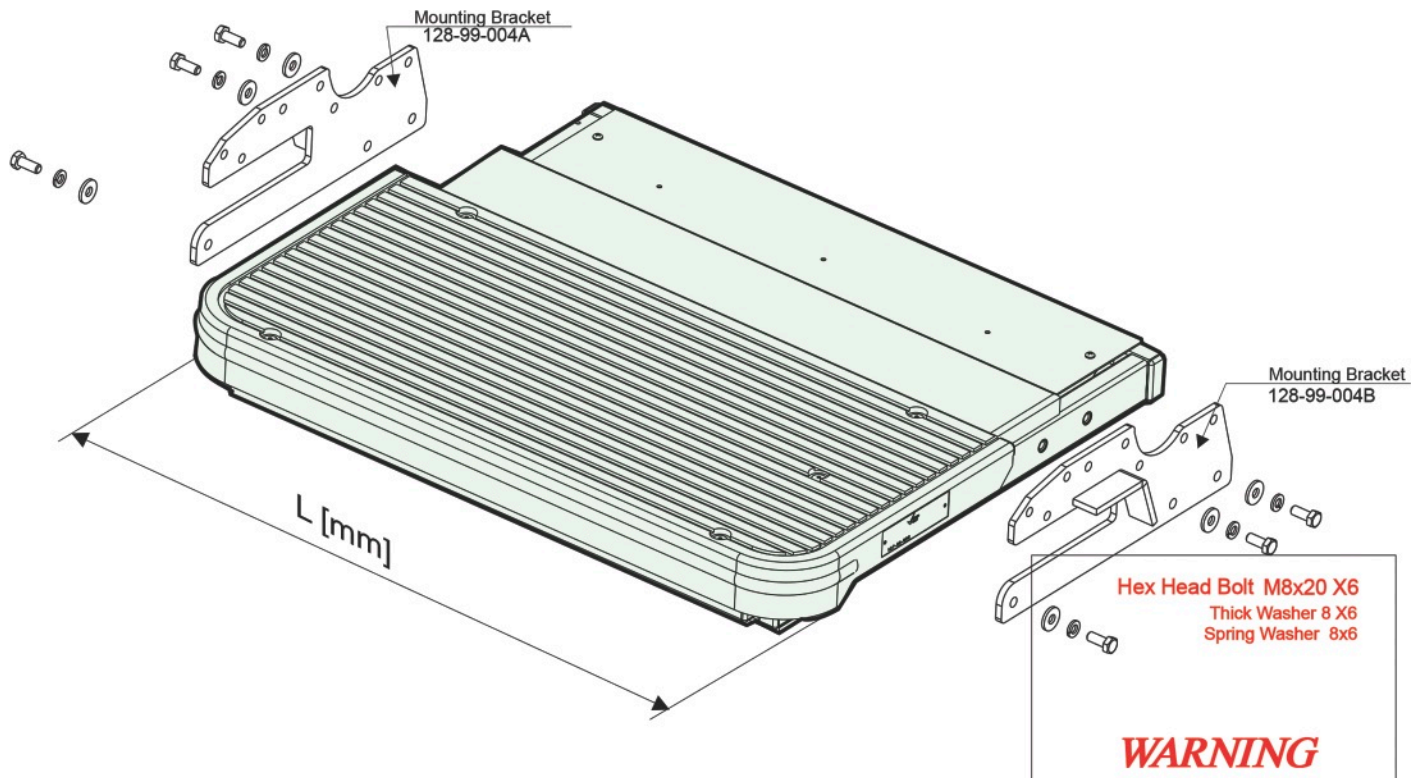
www.PowerDoorAndStep.com

(888) 928-8000

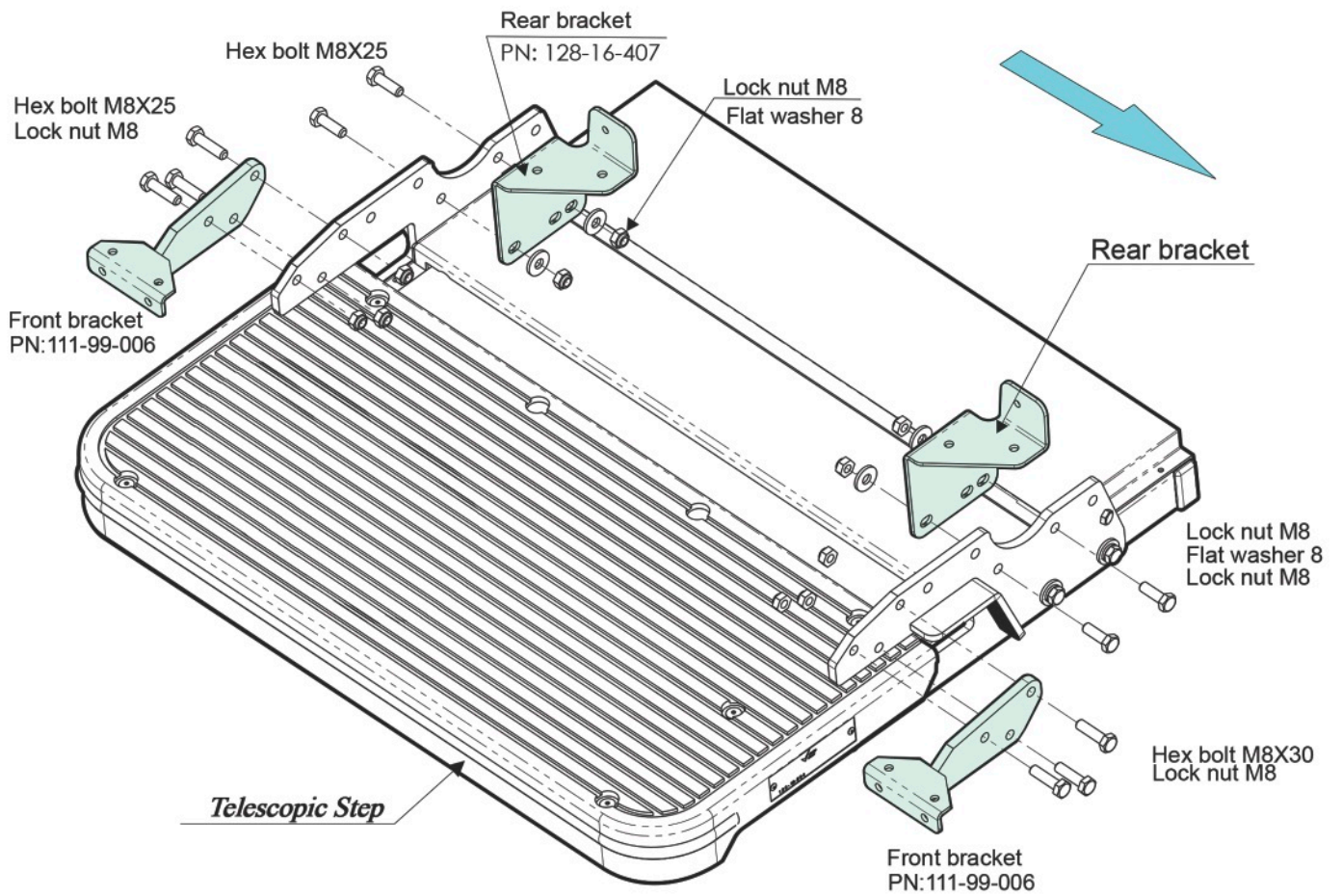
DODGE RAM PROMASTER

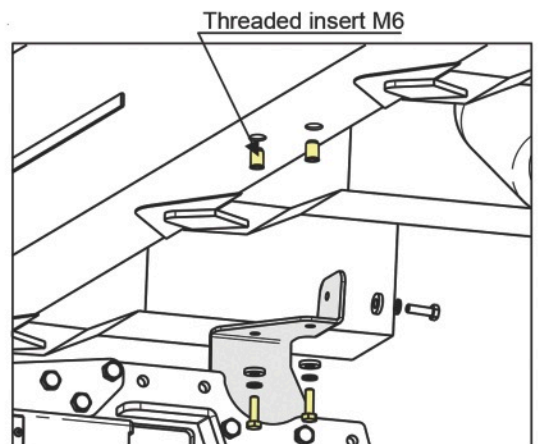
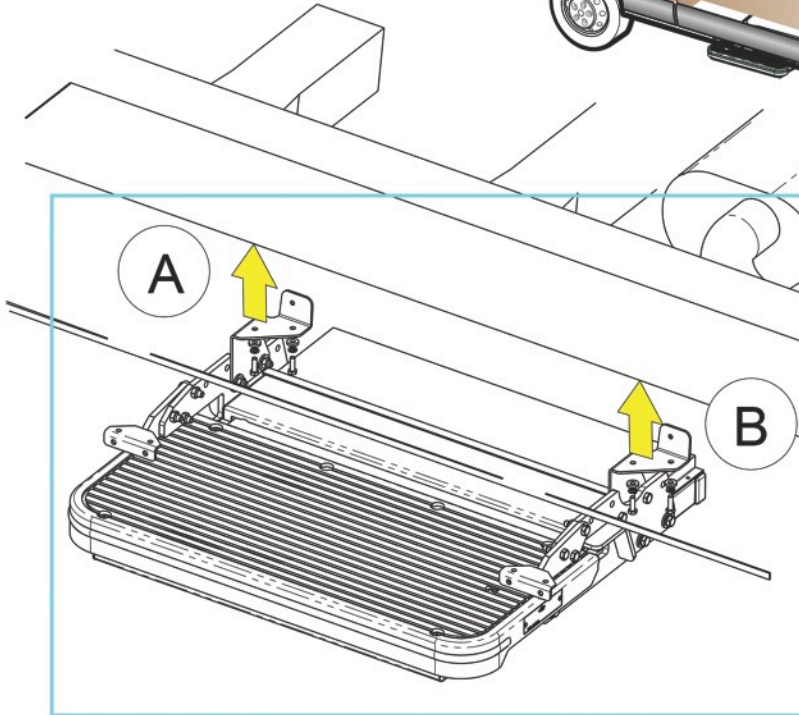
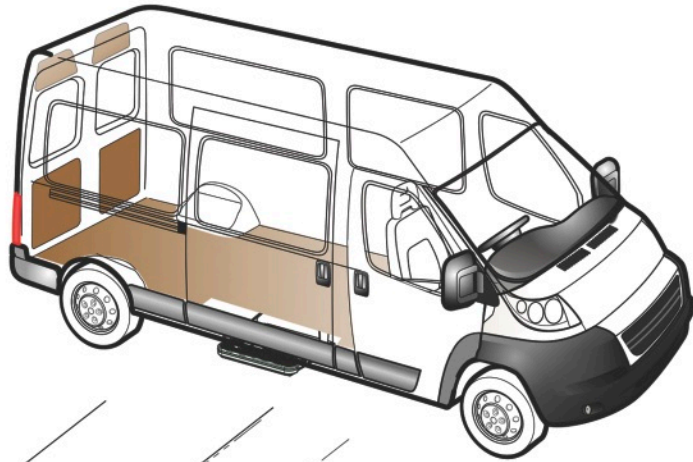


TELESCOPIC ELECTRICAL STEP - (1200MM)



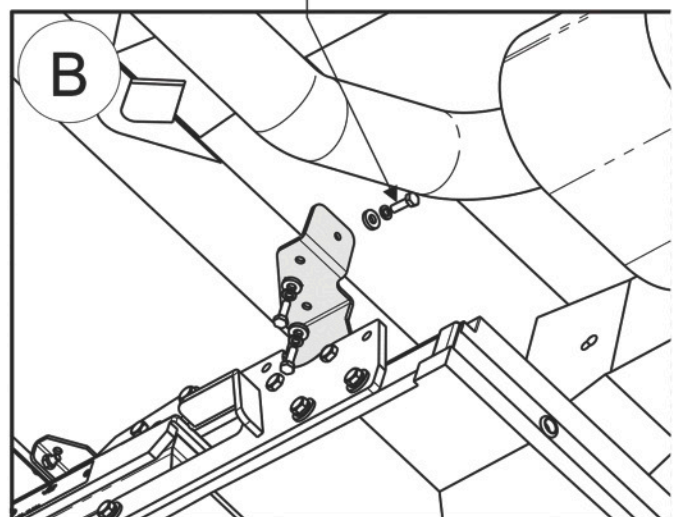
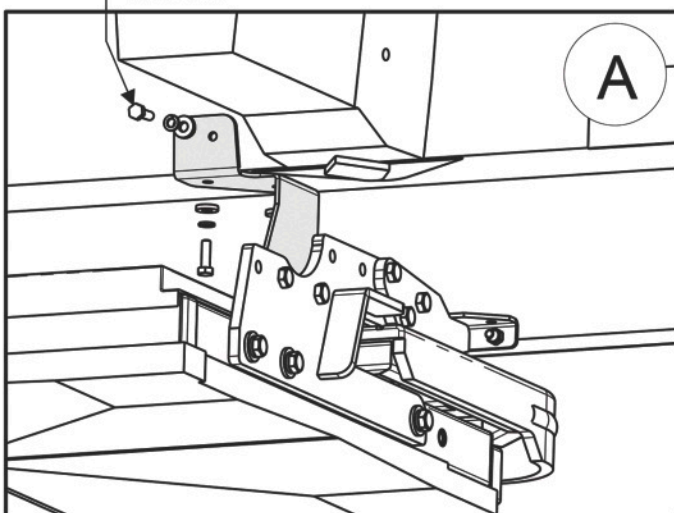
Length L [mm]	Step PN:
670	016-0004
1000	016-0005
1200	016-0006



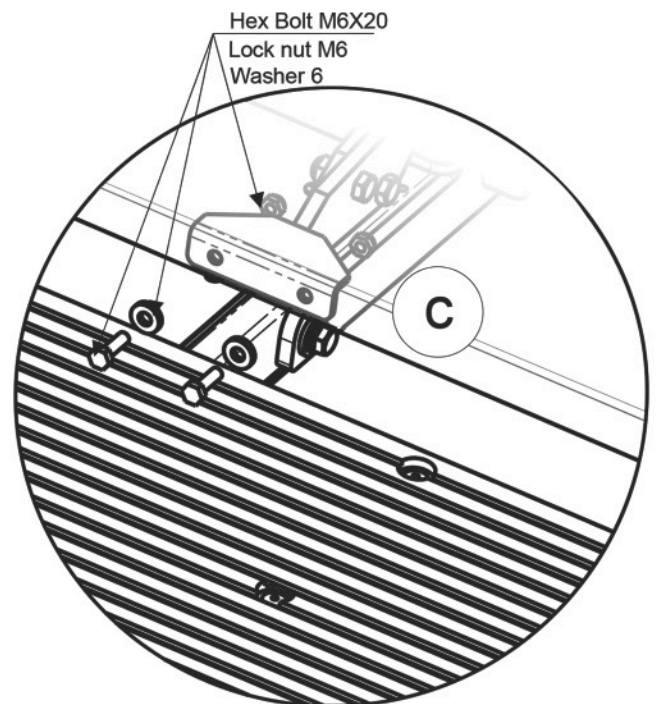
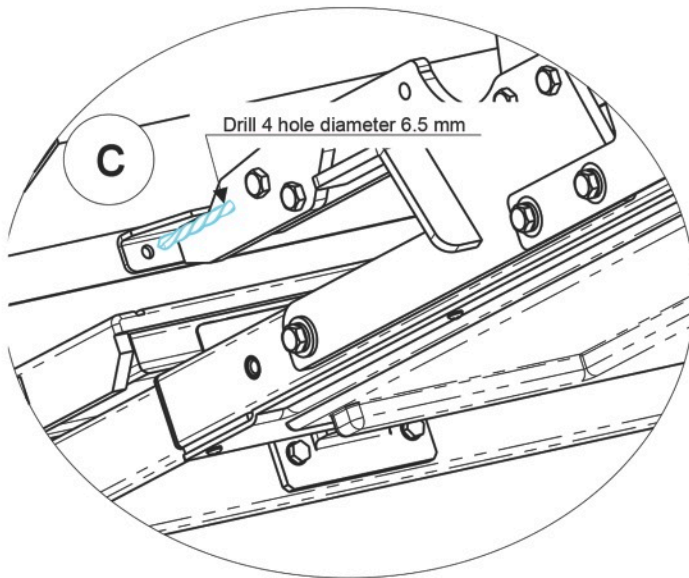
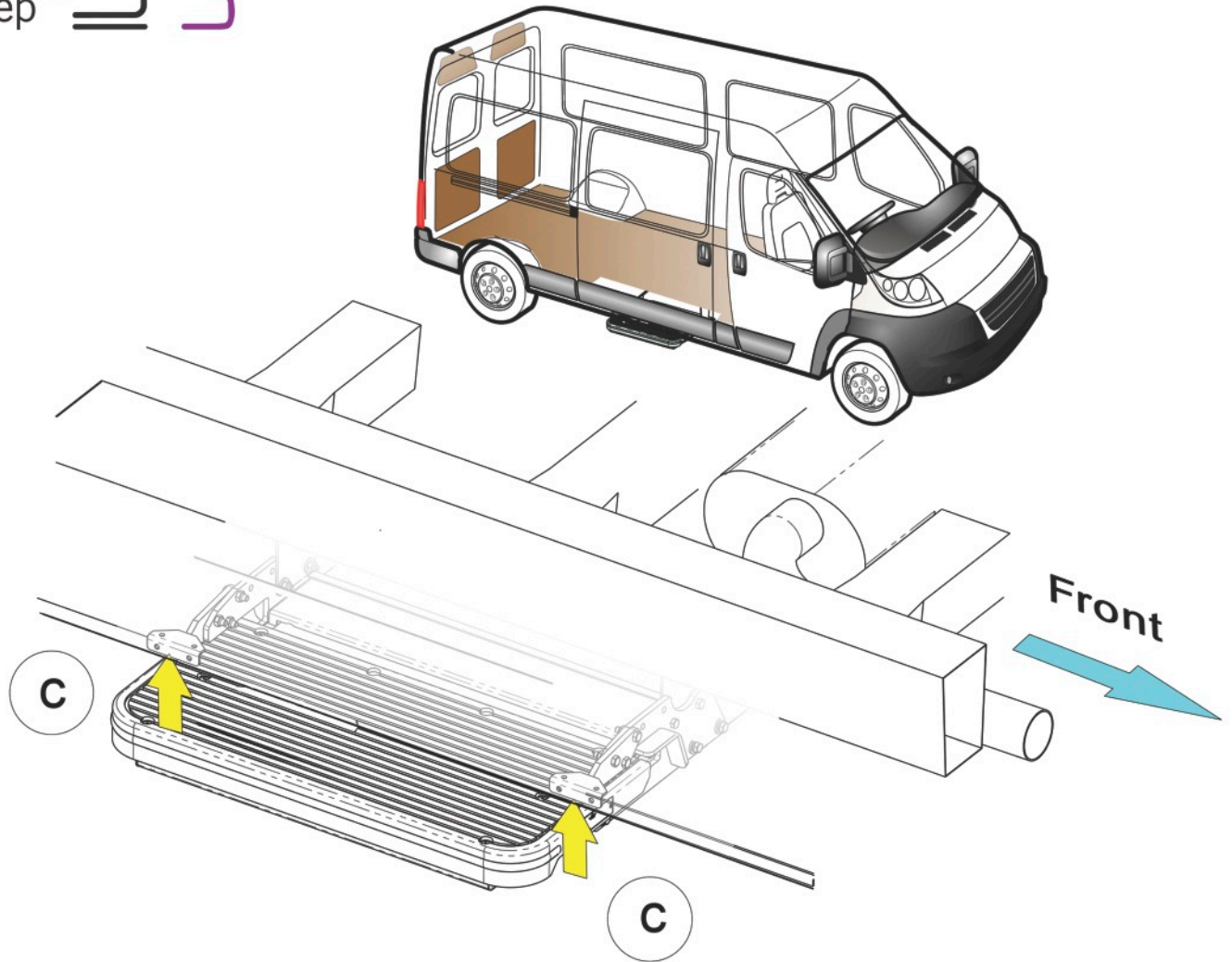


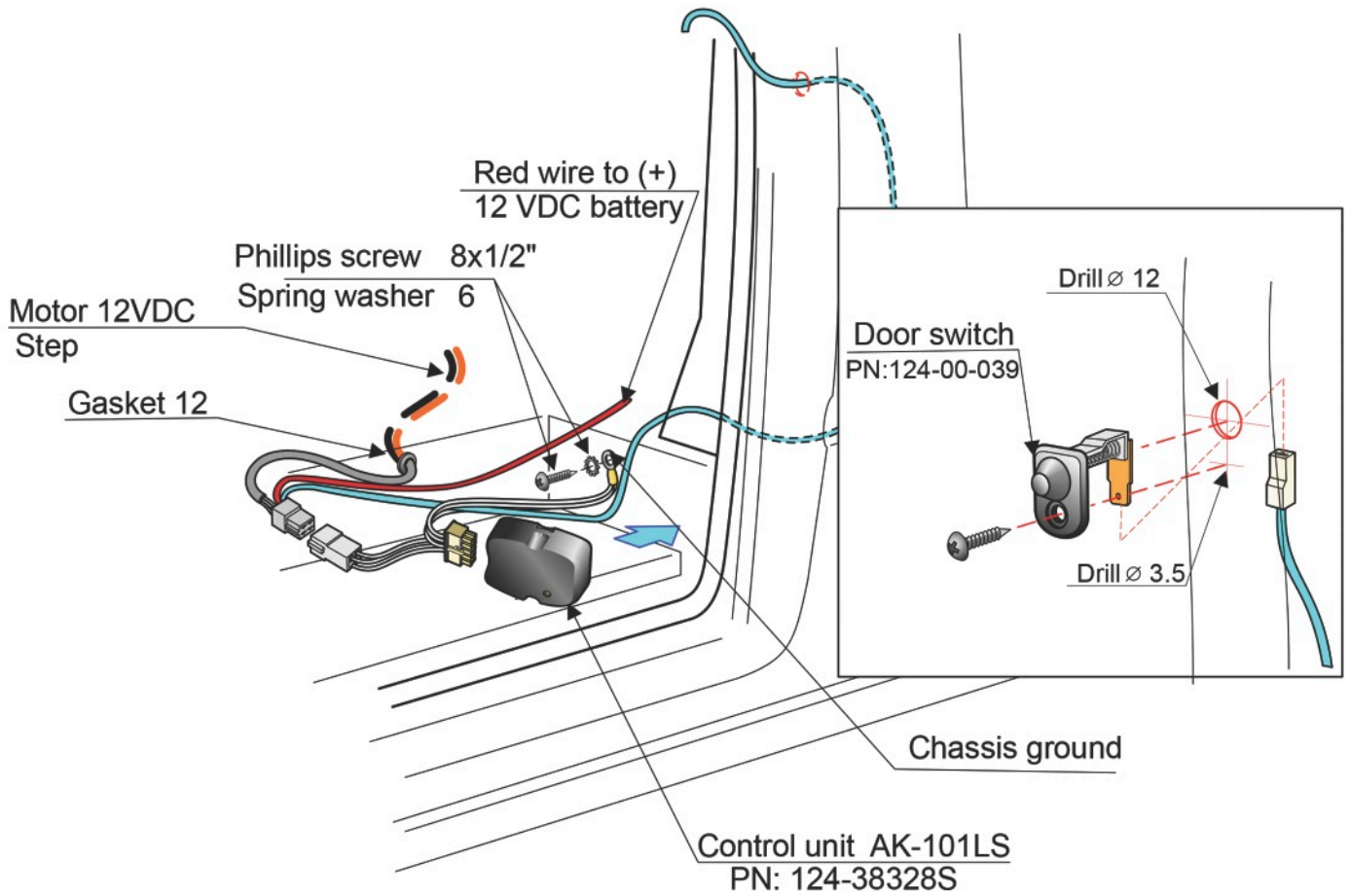
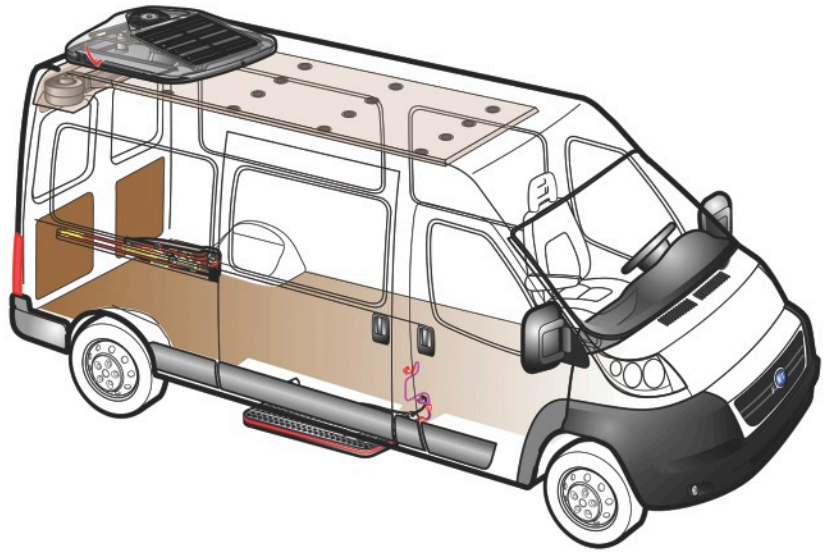
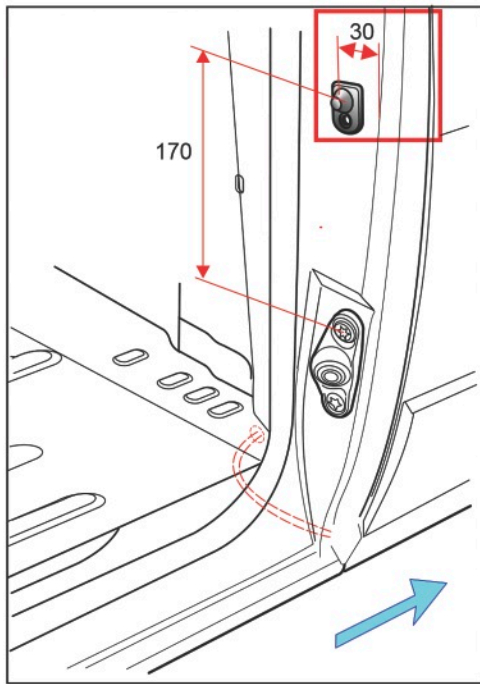
Hex Bolt M6X20
Spring washer 6
Washer 6

Hex Bolt M6X20
Spring washer 6
Washer 6

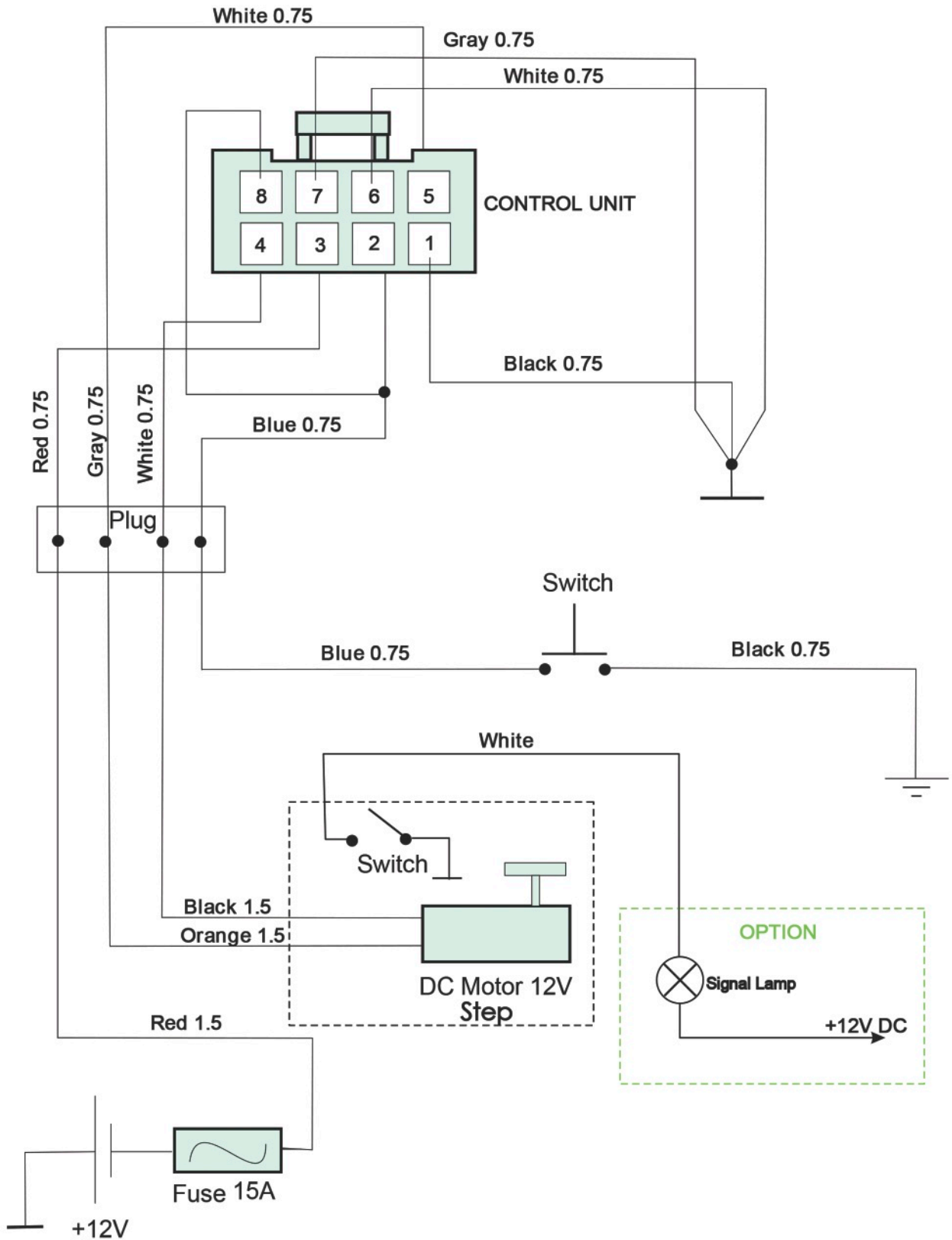


Mark the position of the holes in the back end of the mounting brackets on the vehicle body.
Remove Step . Drill 9.5mm holes in the body. Install the threaded inserts M6.





WIRING DIAGRAM





EFS system Basic Troubleshooting

1. Step does not function in opening or closing modes.
 - Check main fuse
 - Check connections of power terminals to the control units, motor and operation knob.
 - Check connection of the ground terminal (-)
 - Check control unit

Important information

To commence regular operation after the EFS has been disconnected from power (Battery change, Faulty fuse etc.) reset the system by pressing the switch a few times.



Power Door & Step Company
6855 Hayvenhurst Ave | Van Nuys | CA 91406
(888) 928-8000
WWW.POWERDOORANDSTEP.COM