

**Power  
Door &  
Step**  
PowerDoorAndStep.com  
888.928.8000

**V363** *Ford* **TRANSIT 2014**

RWD-Rear Wheel Drive

FWD-Front Wheel Drive



**Electrical Telescopic Step - (670mm)**

PN: 016-3634-3 (Step With Brackets)

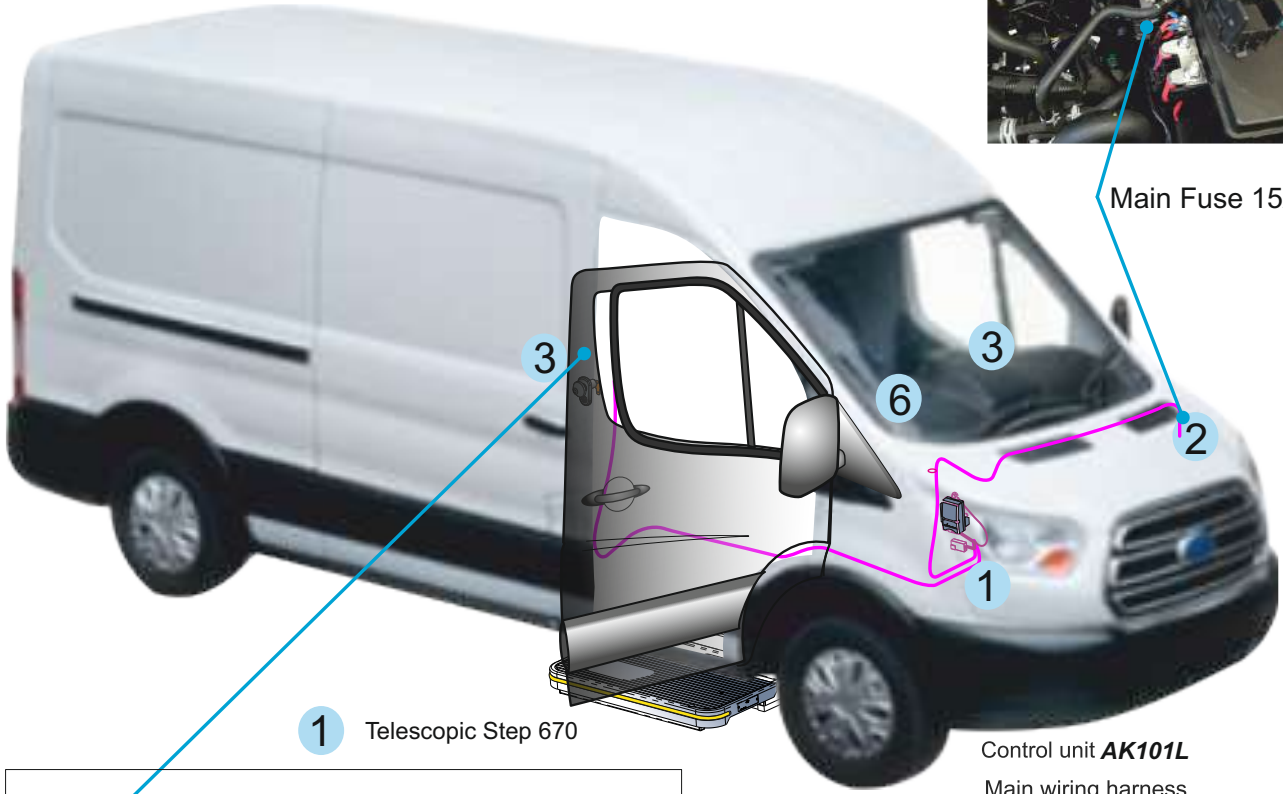
*Fitted under the front door*

Step Mounting Bracket Kit

**PN: 160-16-343**

*Ford* **TRANSIT** (RWD FWD) **V363**  
 Electrical Telescopic Step - (670mm)

Door Limit Switch



1 Telescopic Step 670

Control unit **AK101L**  
 Main wiring harness

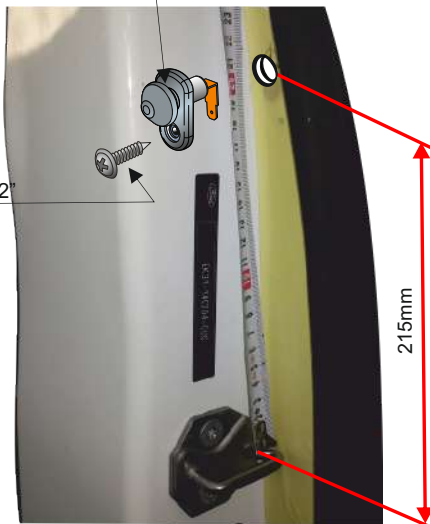
Main Fuse 15A

**B- PILLAR**

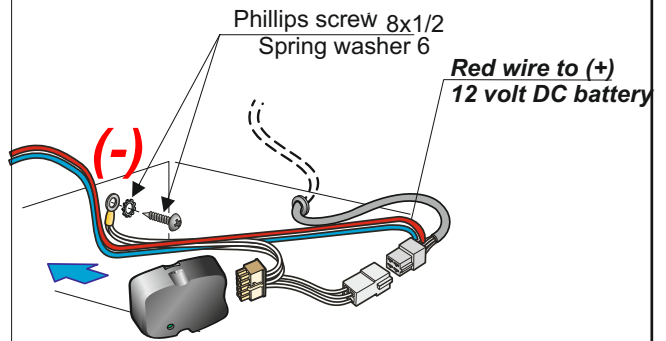
3

Door Limit Switch  
 PN:124-00-039 Drill  $\varnothing 12$  mm

Self drilling screw 8x1/2"  
 Att. Silver zinc plated



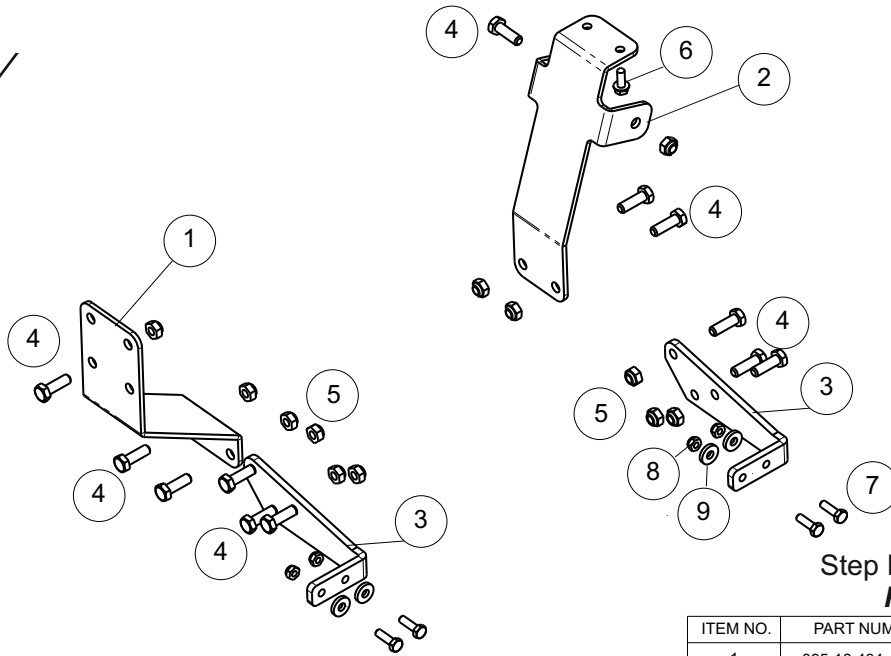
215mm



Phillips screw 8x1/2  
 Spring washer 6

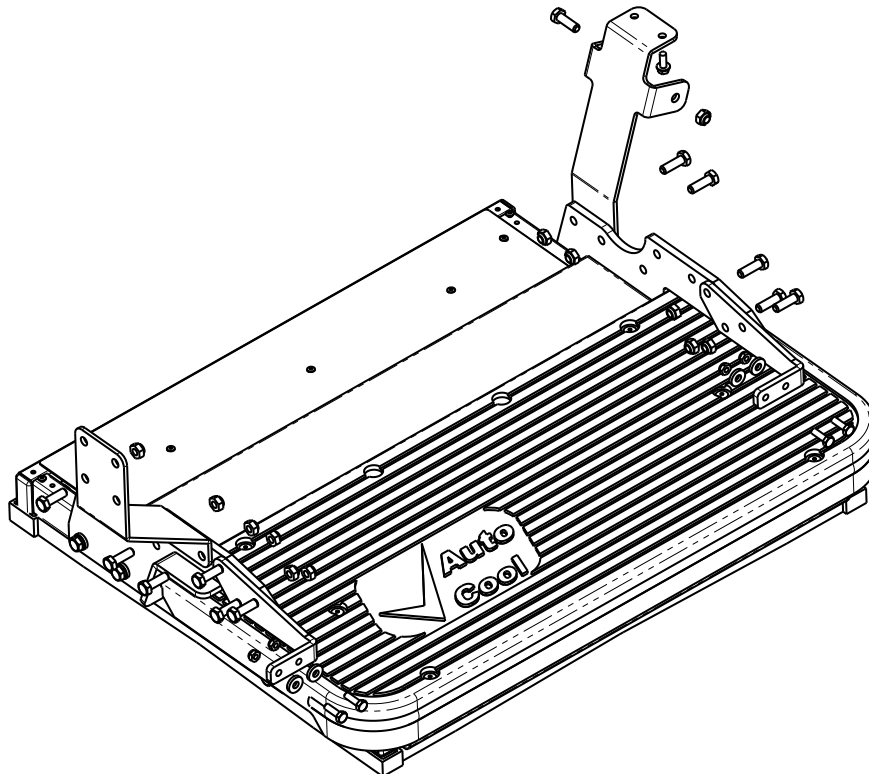
Red wire to (+)  
 12 volt DC battery

*Ford* **TRANSIT** (RWD FWD) **V363**  
 Electrical Telescopic Step - (670mm)  
 Fitted under the front door

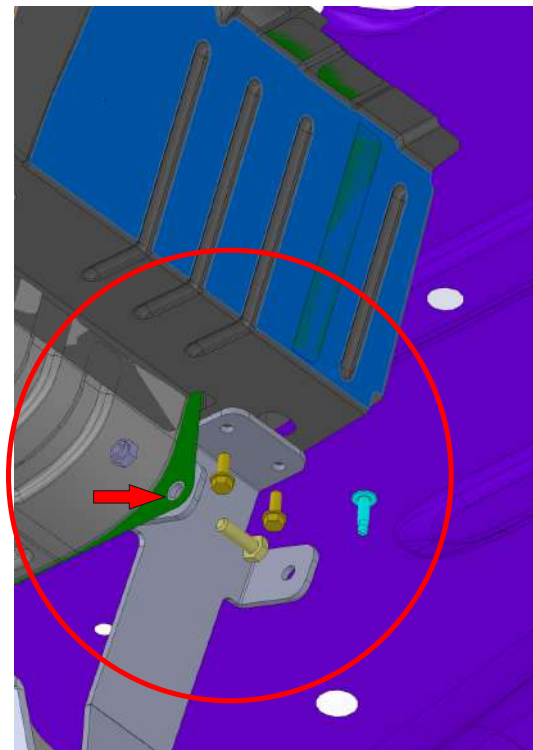
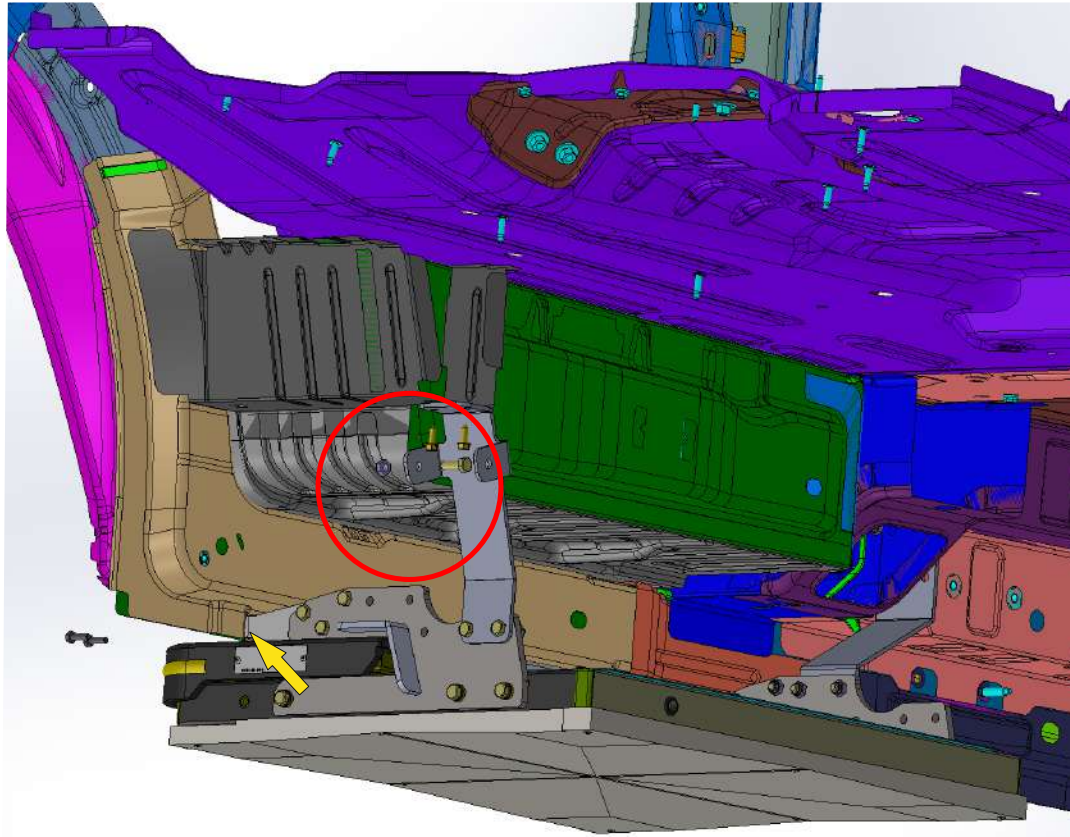


**Step Mounting Bracket Kit FWD**  
**PN: 160-16-343**

ITEM NO.	PART NUMBER	DESCRIPTION	QTY.
1	095-16-434	V363 Ford Transit Rear Support	2
2	095-16-435	V363 Ford Transit Rear Support	1
3	095-16-433	Step Front bracket	2
4	632-08-030	Hex cap bolt M8X30 DIN 933, 8.8	12
5	602-02-008	Hex lock nut M8 DIN 985	12
6	647-08-024	Screw 1/4"	2
7	632-06-020	Hex cap screw M6x20 DIN933 8.8	4
8	602-02-006	Hex lock nut M6 DIN985 Cl8	4
9	600-32-061	Flat washer 6 DIN 7349	4

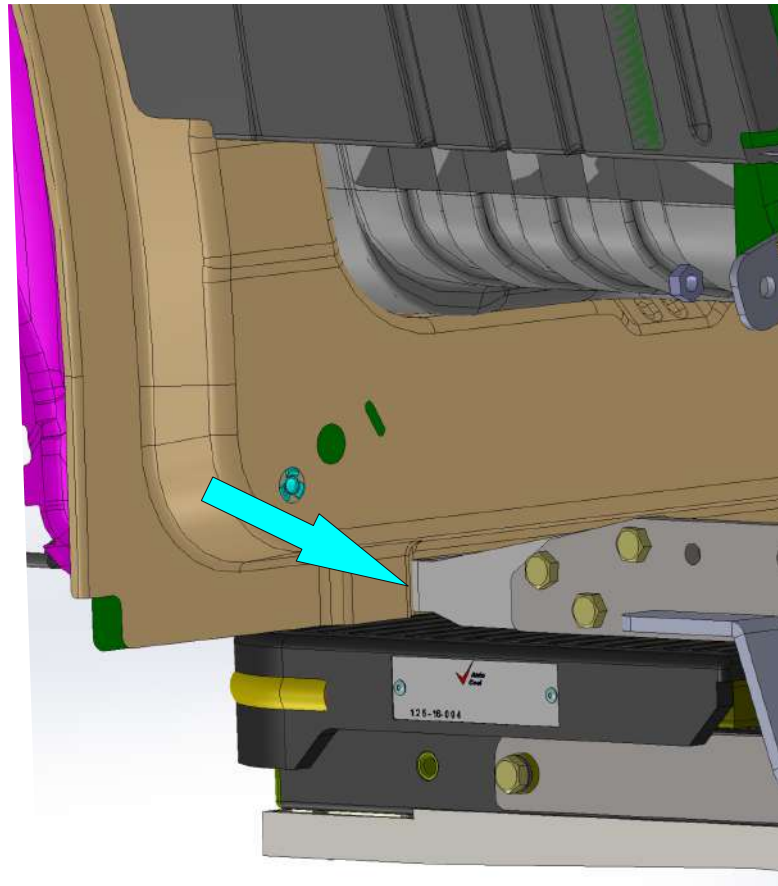


*Ford* **TRANSIT** (RWD FWD) **V363**  
Electrical Telescopic Step - (670mm)

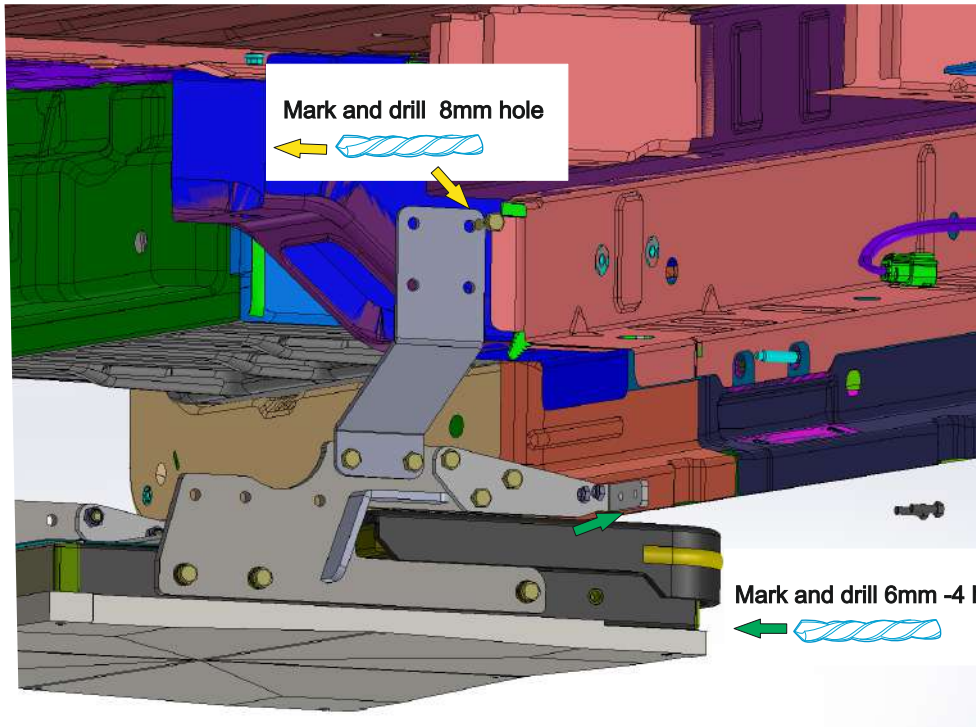


*Ford* **TRANSIT** (RWD FWD) **V363**  
Electrical Telescopic Step - (670mm)

Mark and drill 4 holes



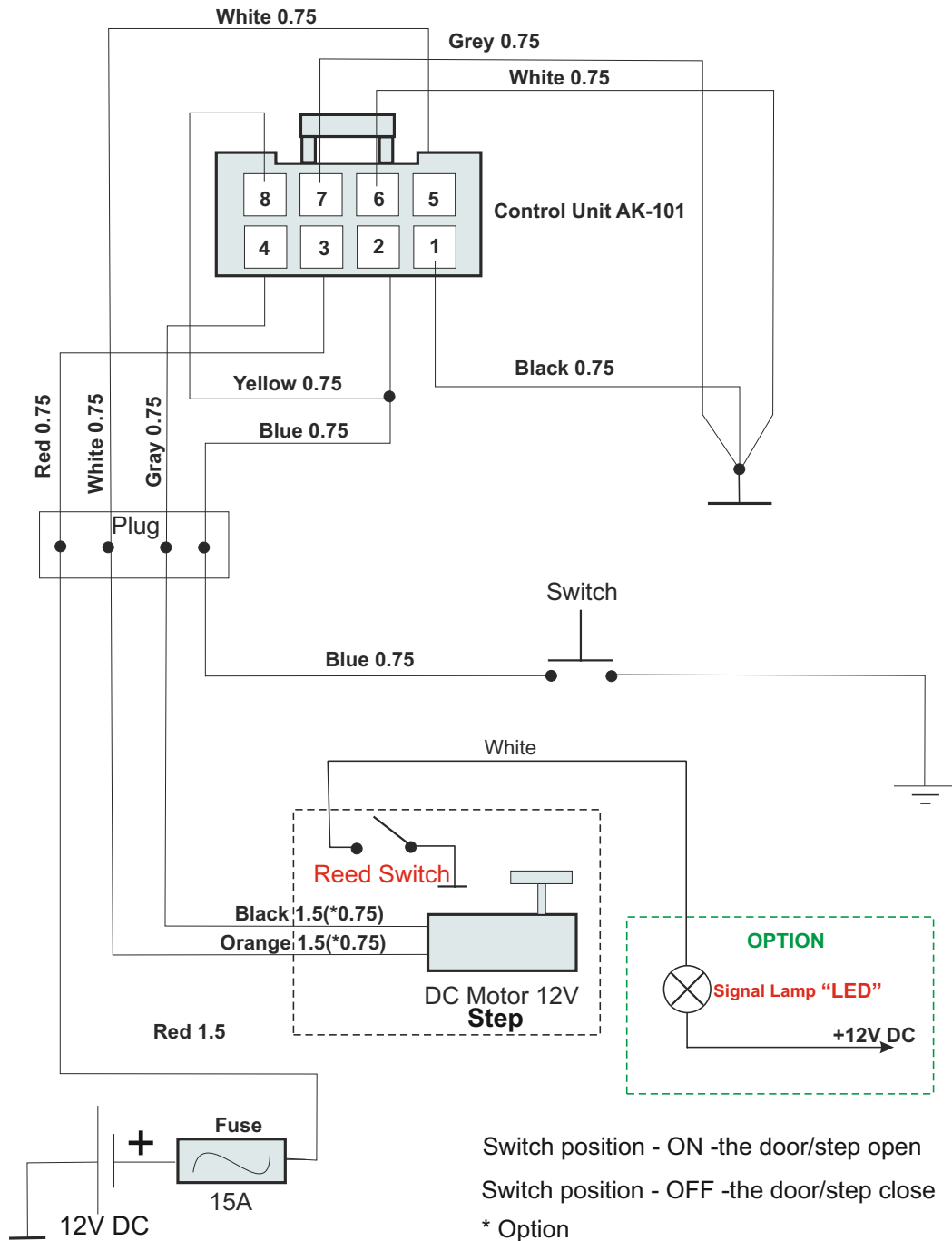
Mark and drill 8mm hole



Mark and drill 6mm -4 holes



**WIRING DIAGRAM**



**ATTENTION:** Signal Lamp should be only "LED". Using other lamp, will damage reed switch device

## **EFS system Basic Troubleshooting**

1. Step does not function in opening or closing modes.
  - Check main fuse
  - Check connections of power terminals to the control units, motor and operation knob.
  - Check connection of the ground terminal (-)
  - Check control unit

### **Important information**

To commence regular operation after the EFS has been disconnected from power (Battery change, Faulty fuse etc.) reset the system by pressing the switch a few times.