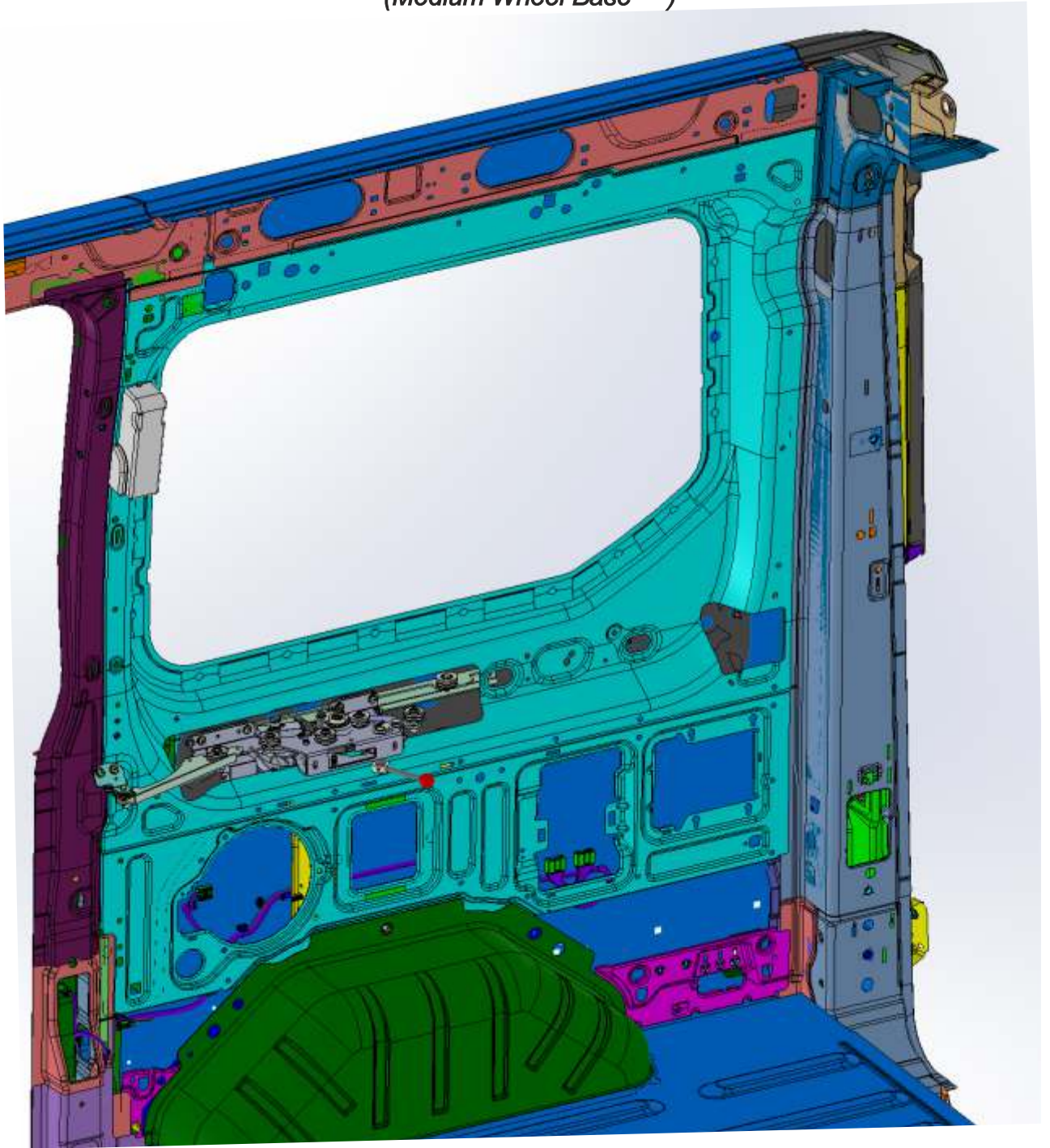
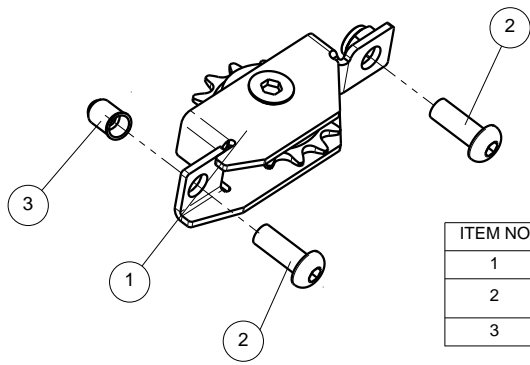


Ford Transit V363 MWB
(Medium Wheel Base)

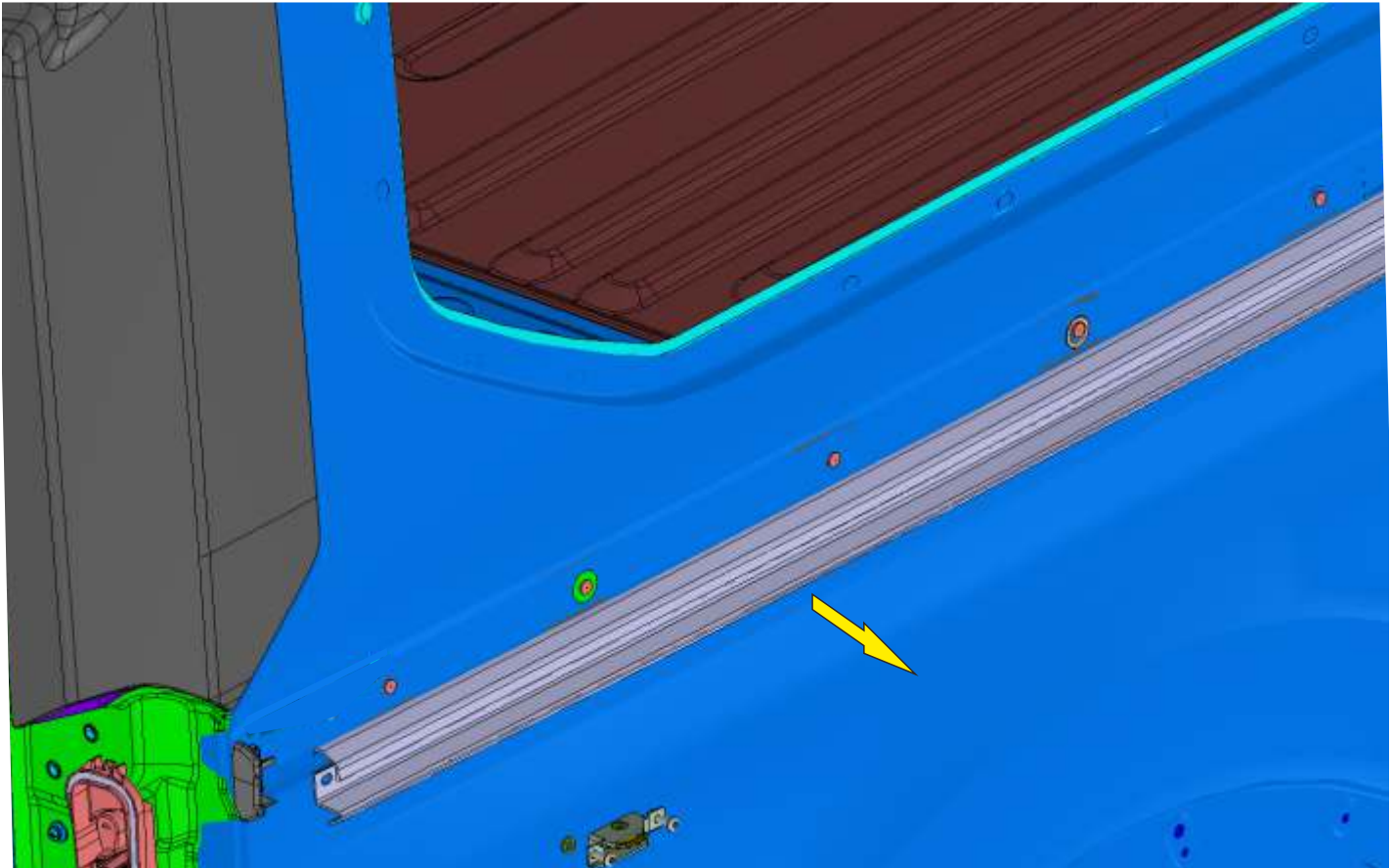


ASD V363

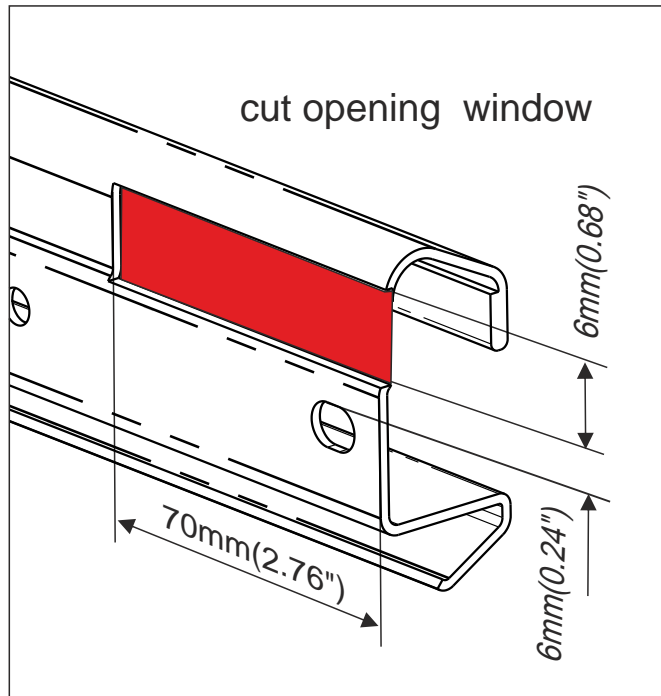
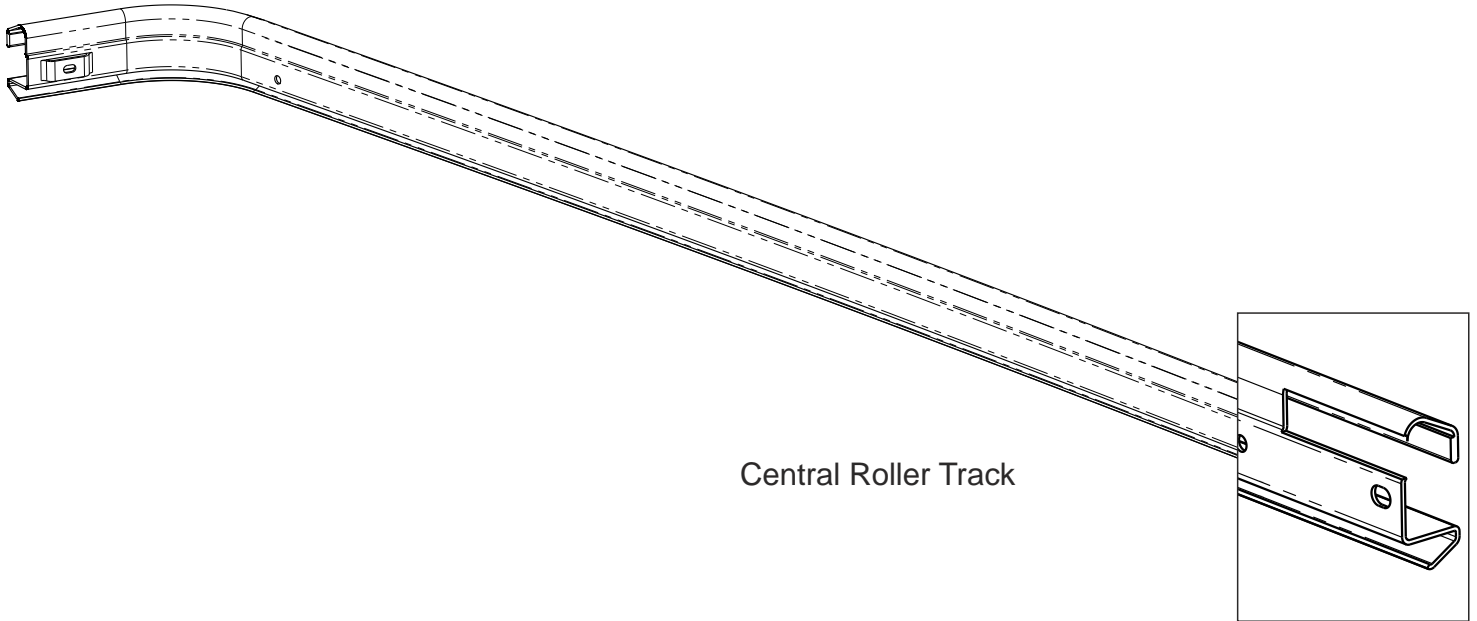


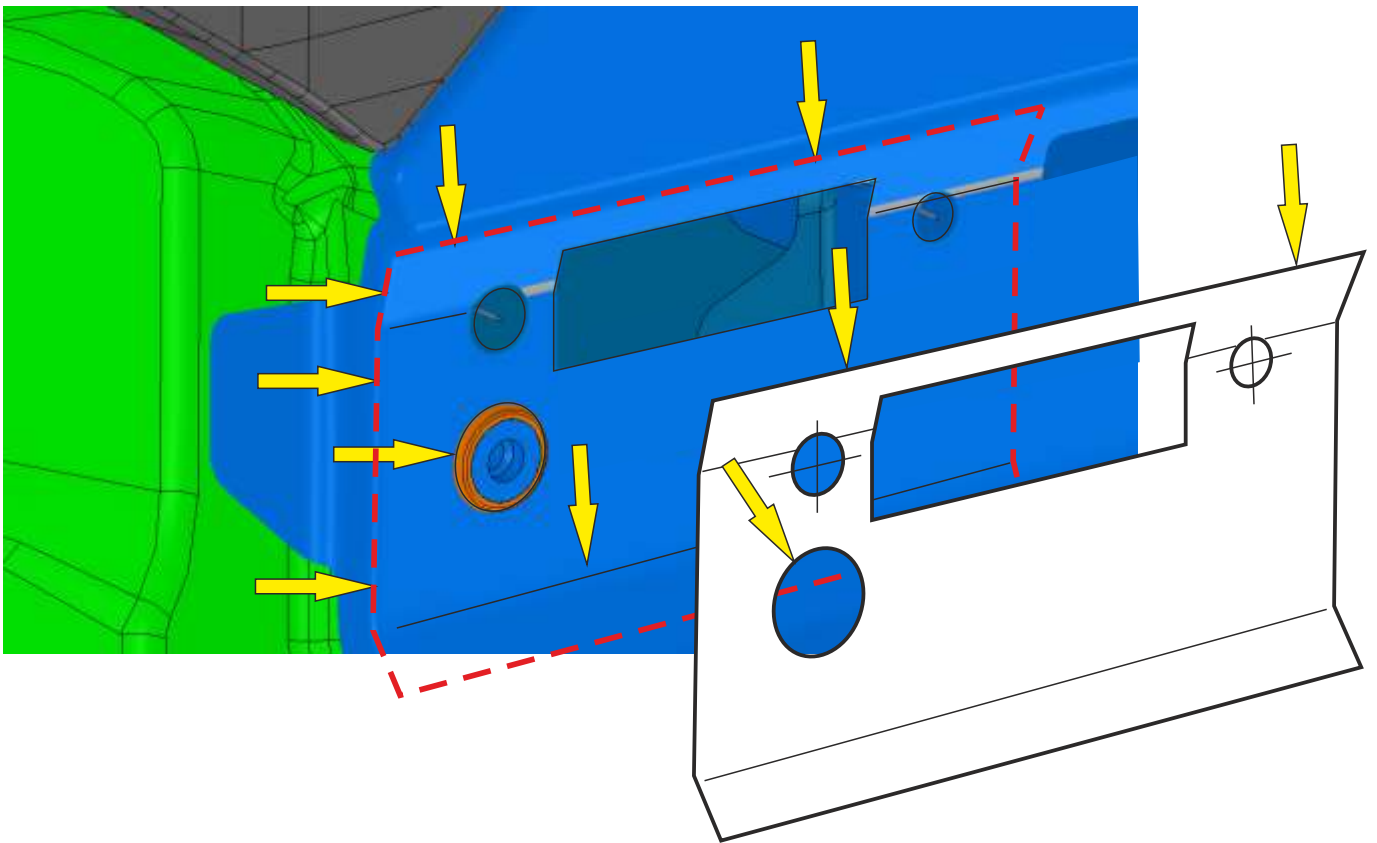
**Rear Idler Kit
160-36-340**

ITEM NO.	PART NUMBER	DESCRIPTION	Exploded/QTY.
1	111-02-013-1	Rear idler	1
2	614-06-016	Socket button head cap screw M6X16	2
3	603-02-006	Rivet nut M6	1

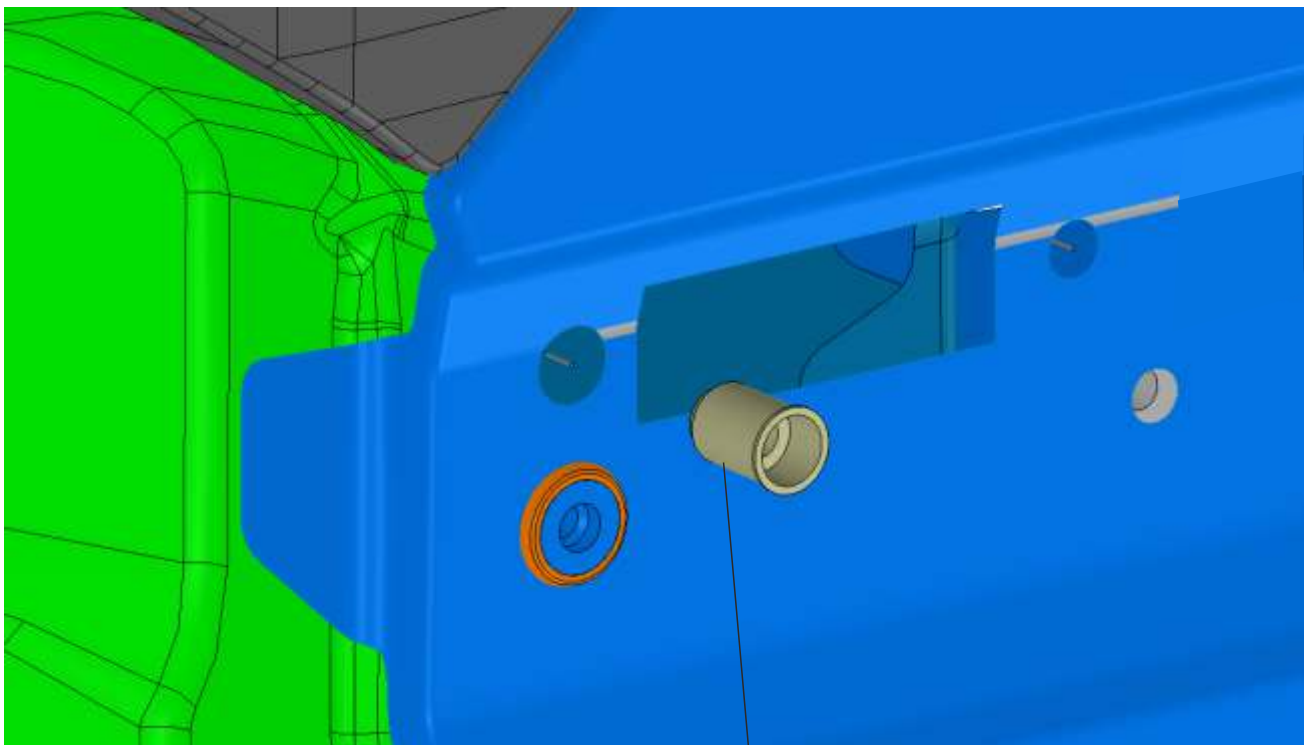


Disassemble the Central roller track



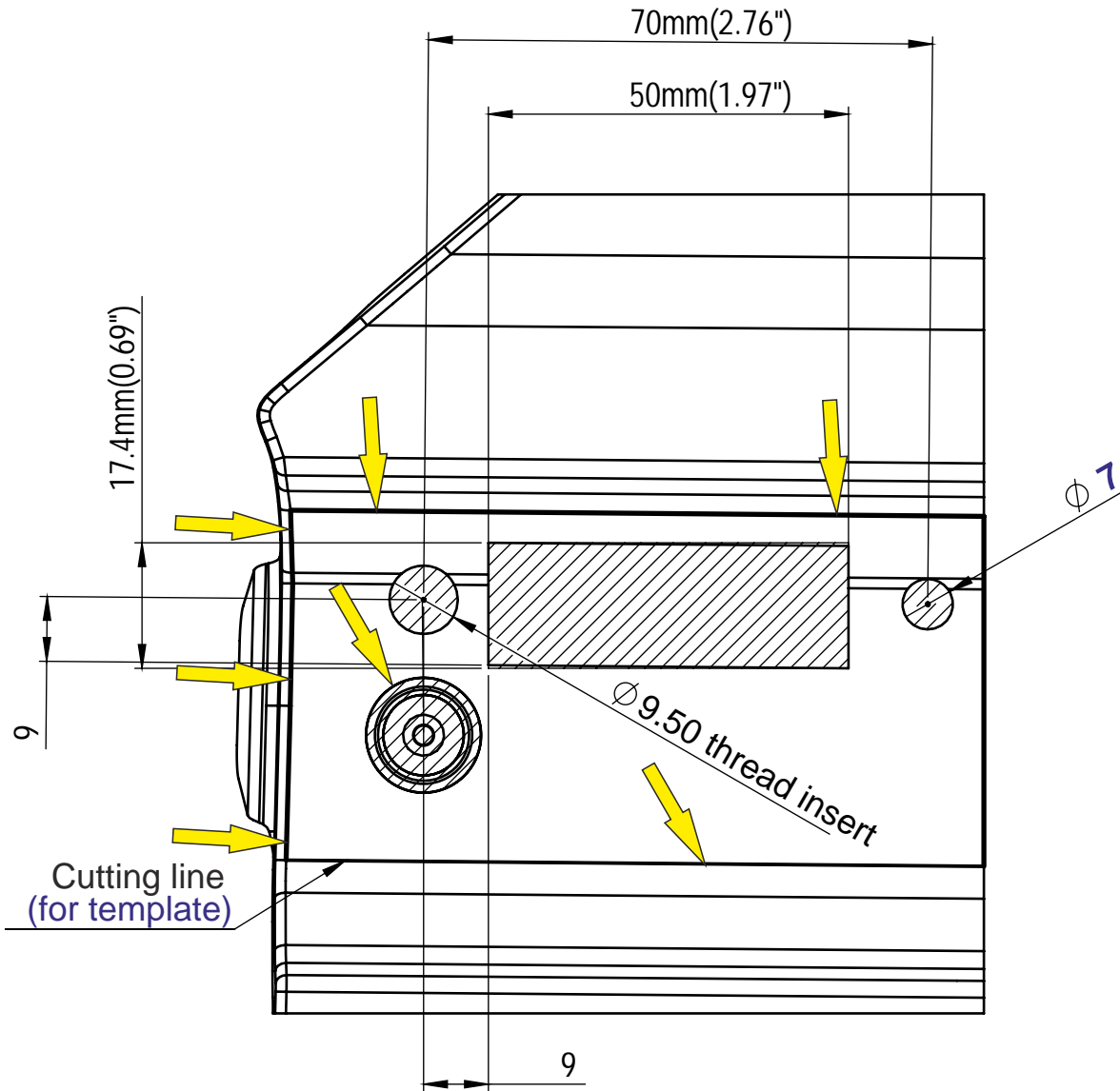


Template (Rear idler) Transit V363 MWB



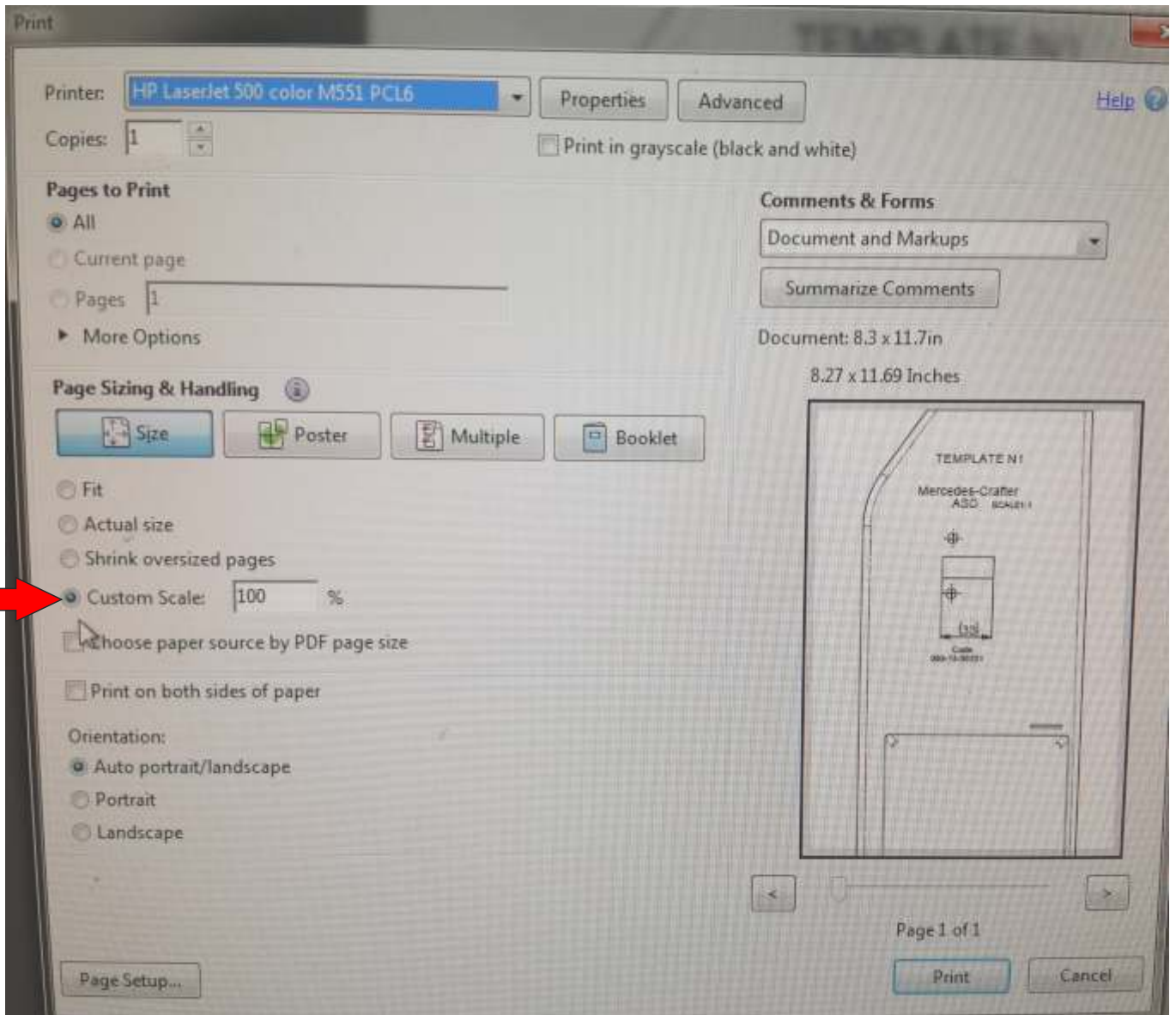
Thread insert
(Rivet nut M6)

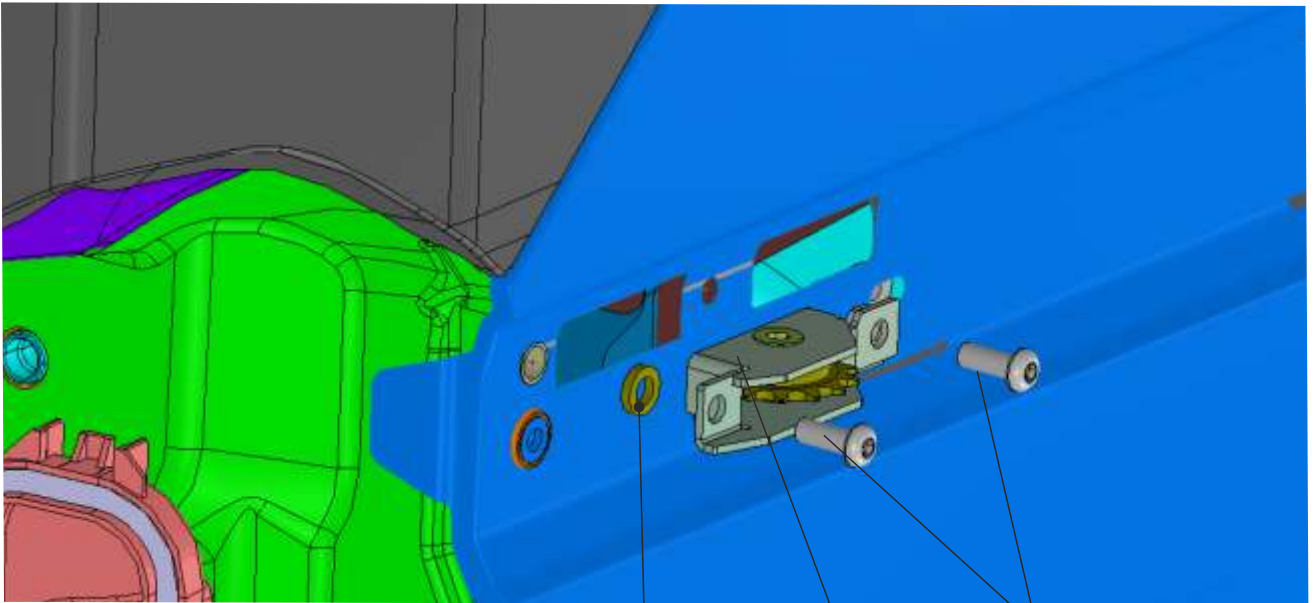
3



Template (Rear idler) Transit V363 MWB

Print
scale 1:1

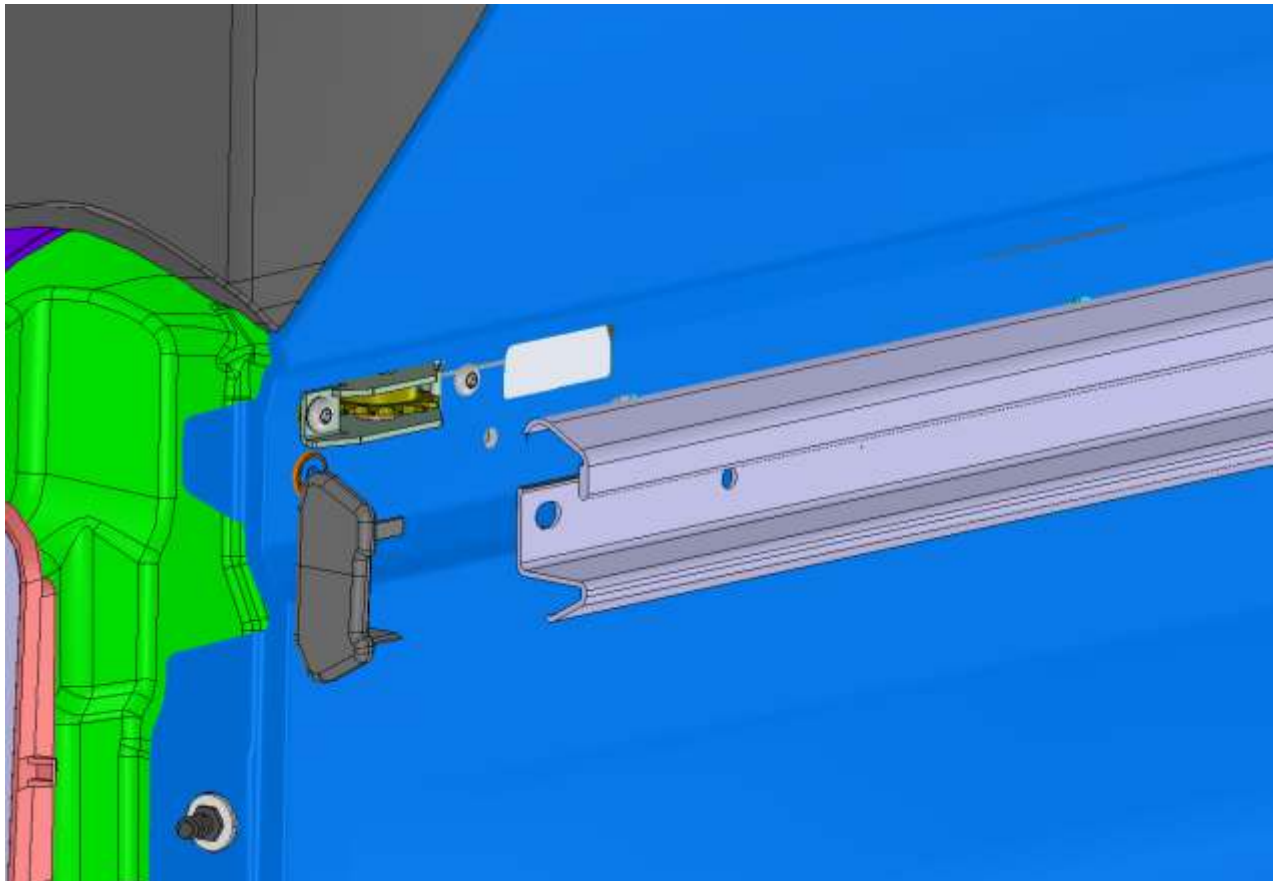




Spacer 5-6 mm
See picture

1

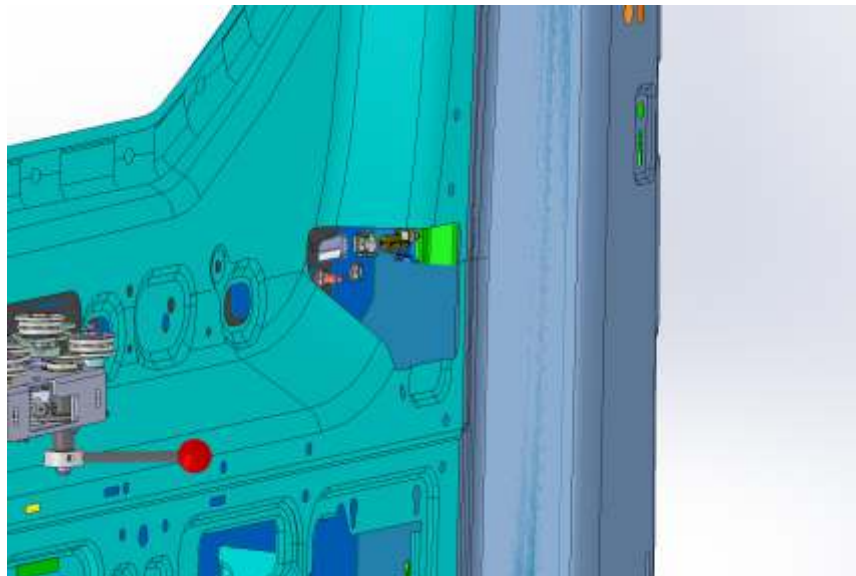
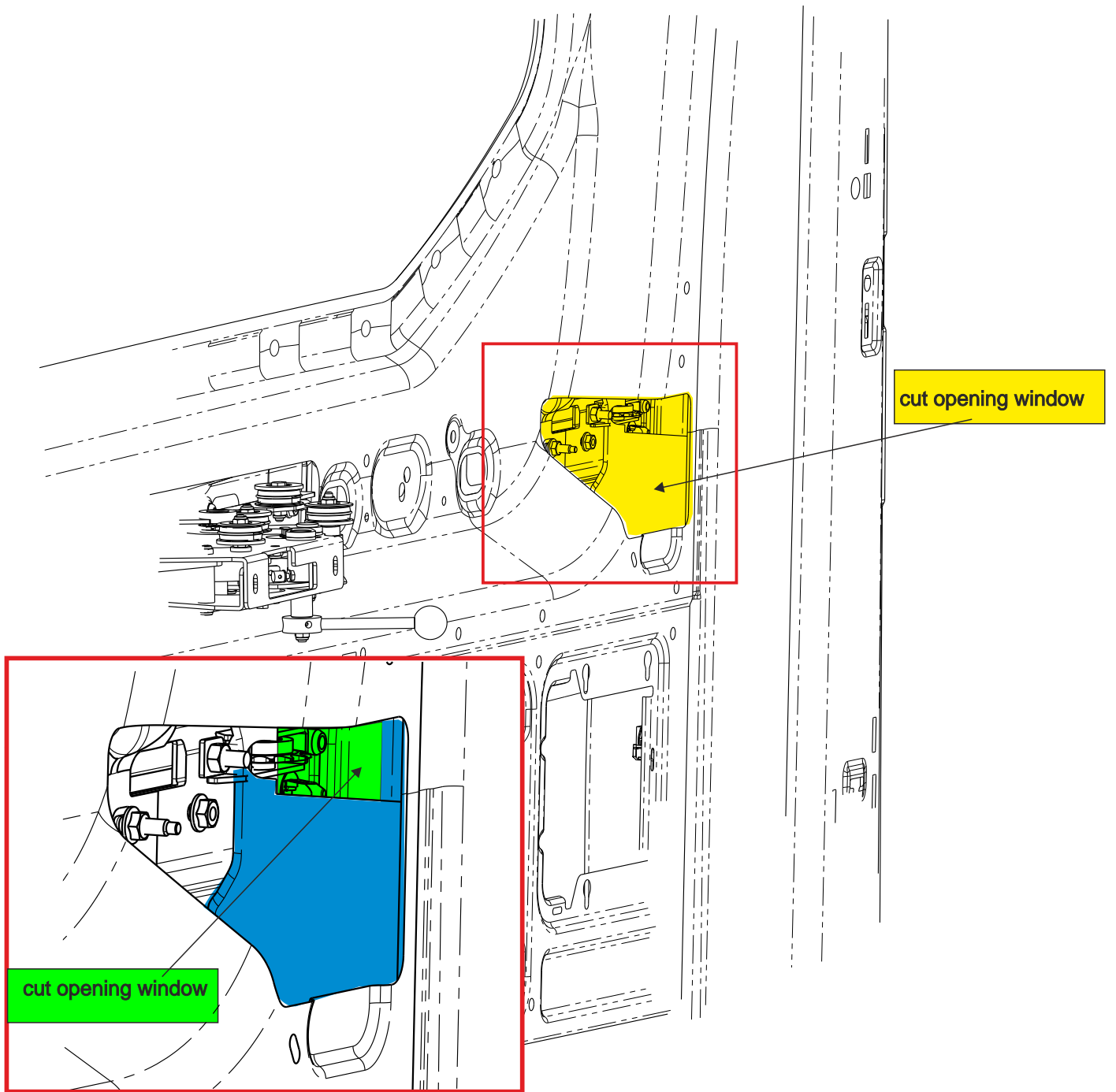
2

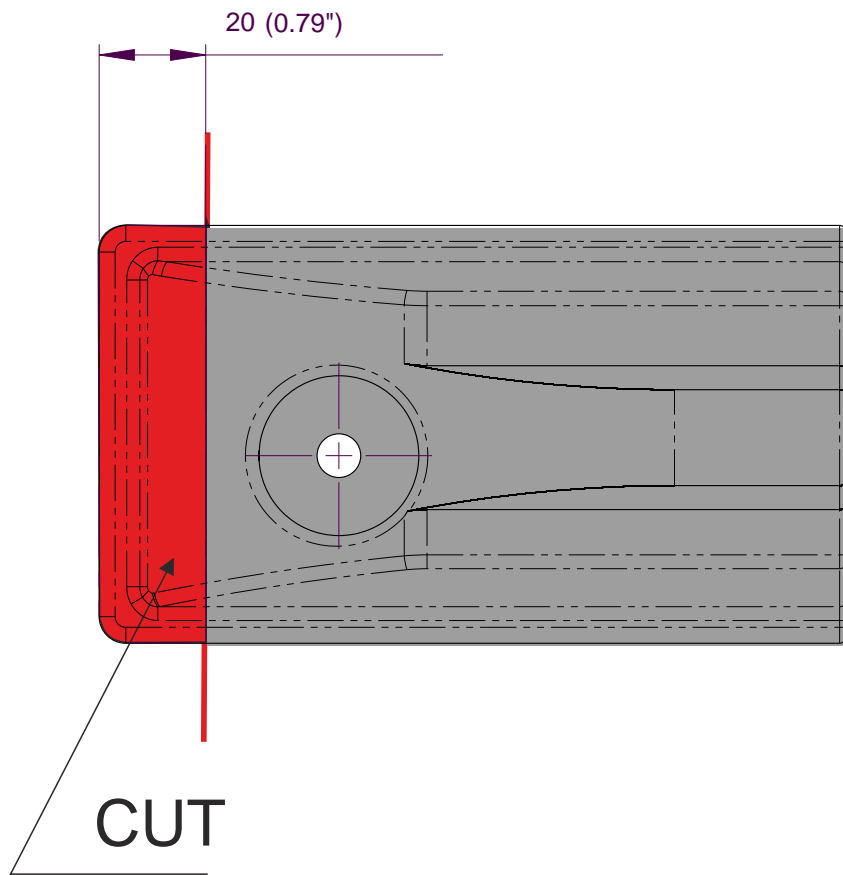




Spacer or flat washer







Rear Idler Cover

