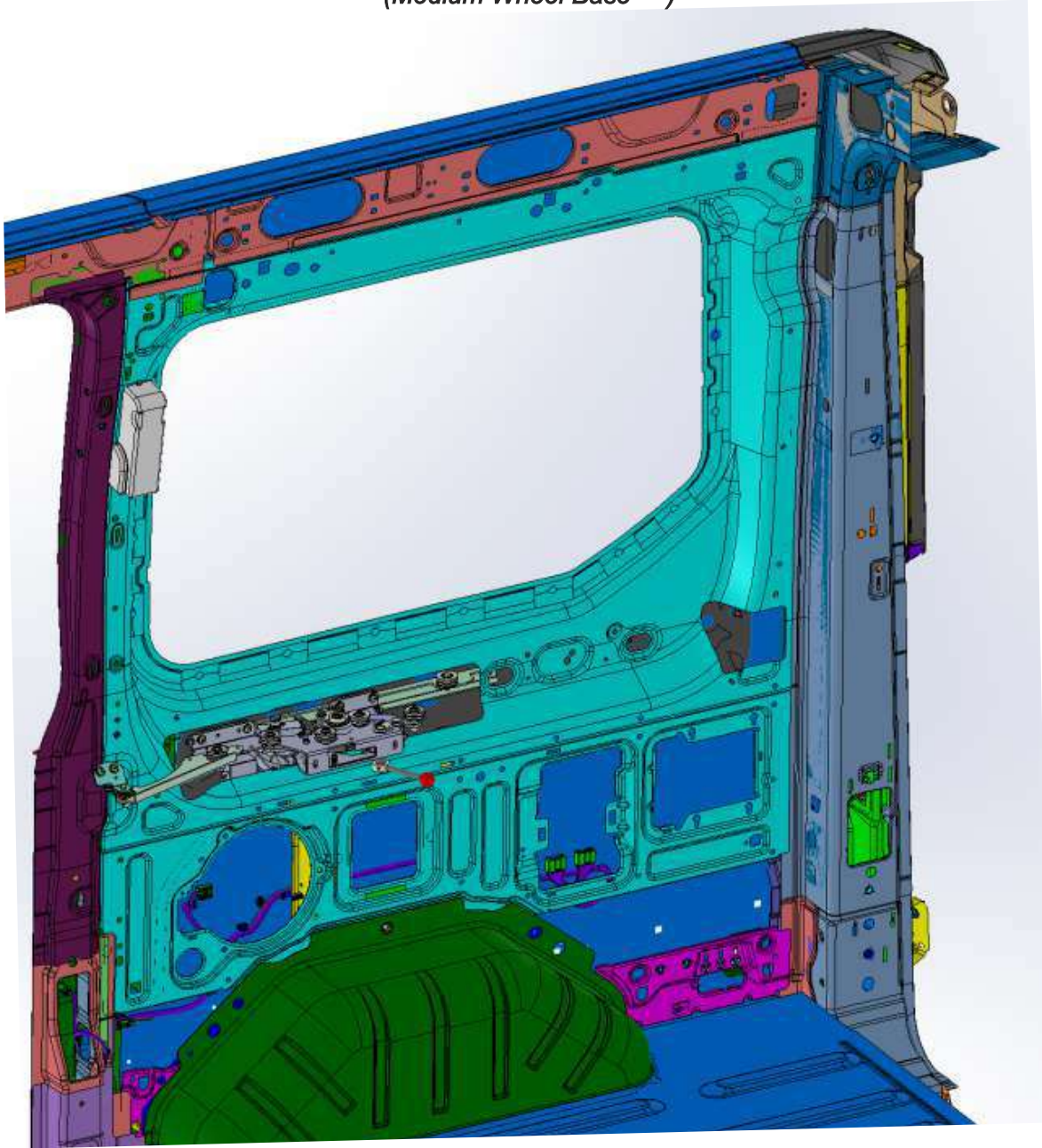
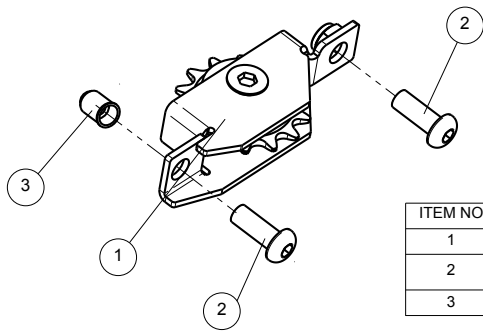


*Ford Transit V363 MWB  
(Medium Wheel Base )*

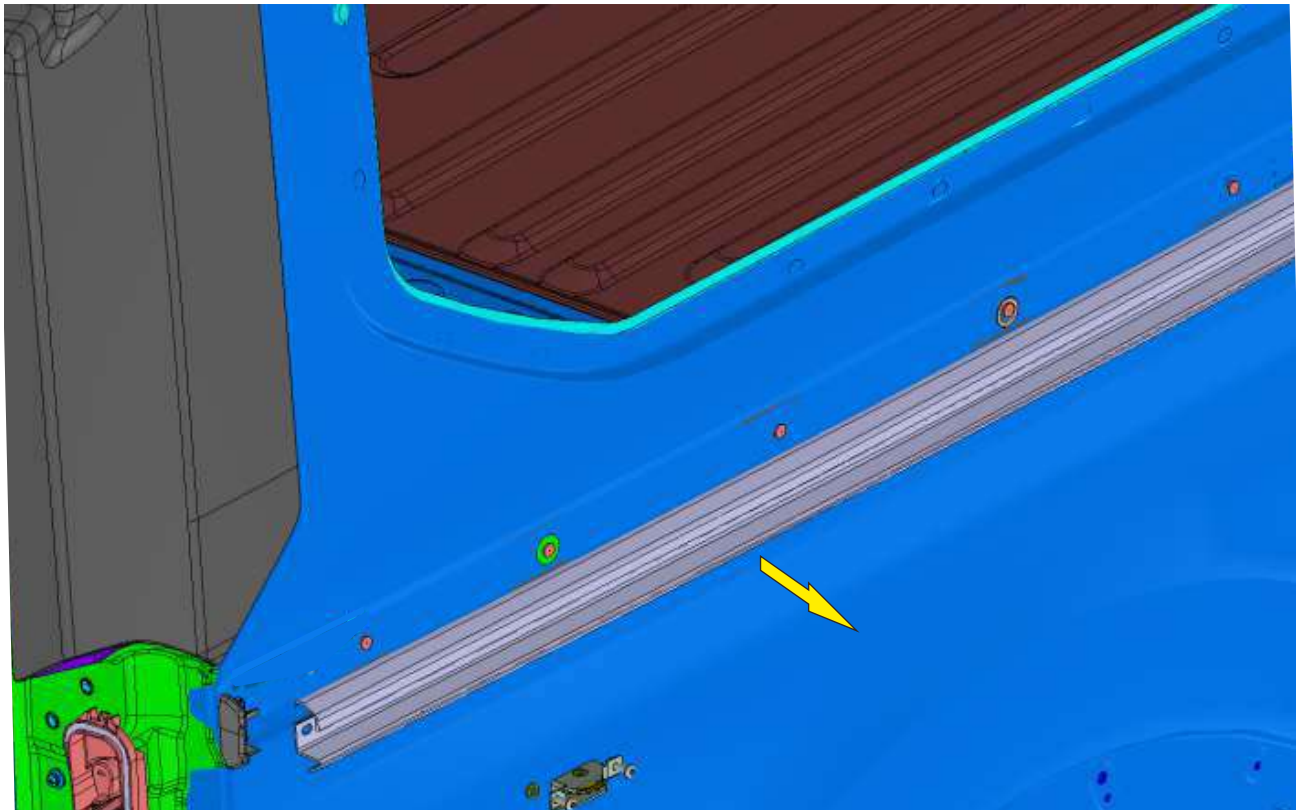


**ASD V363**

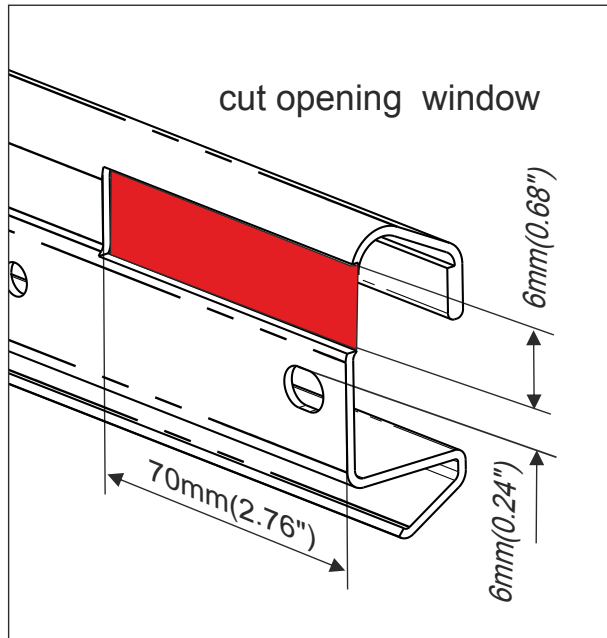
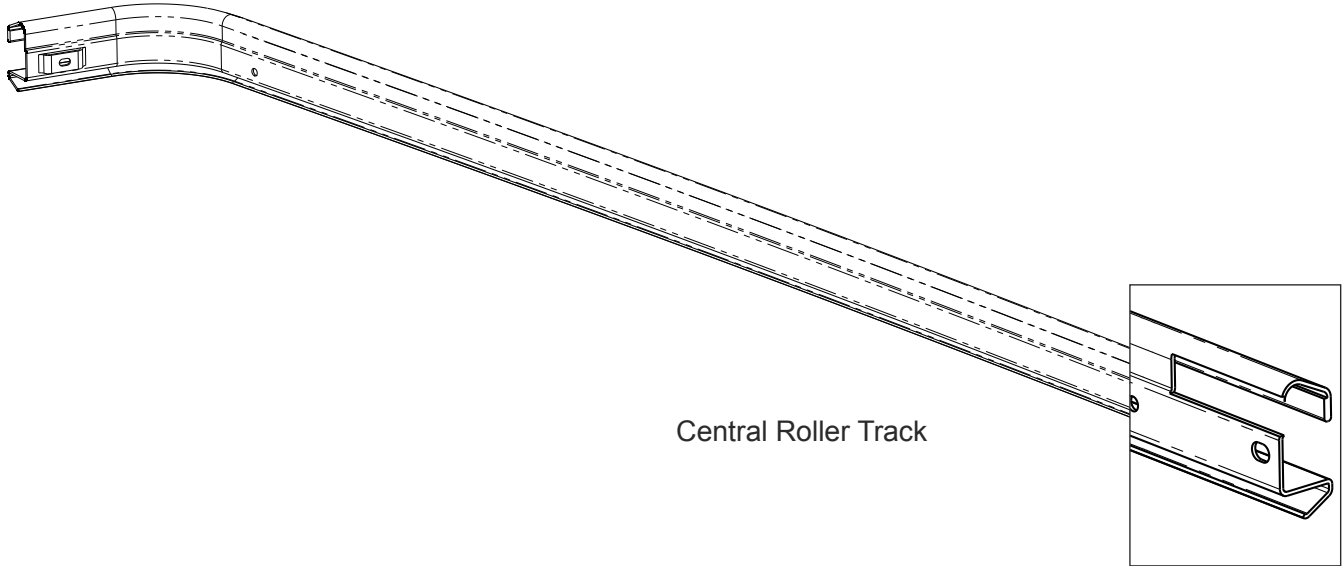


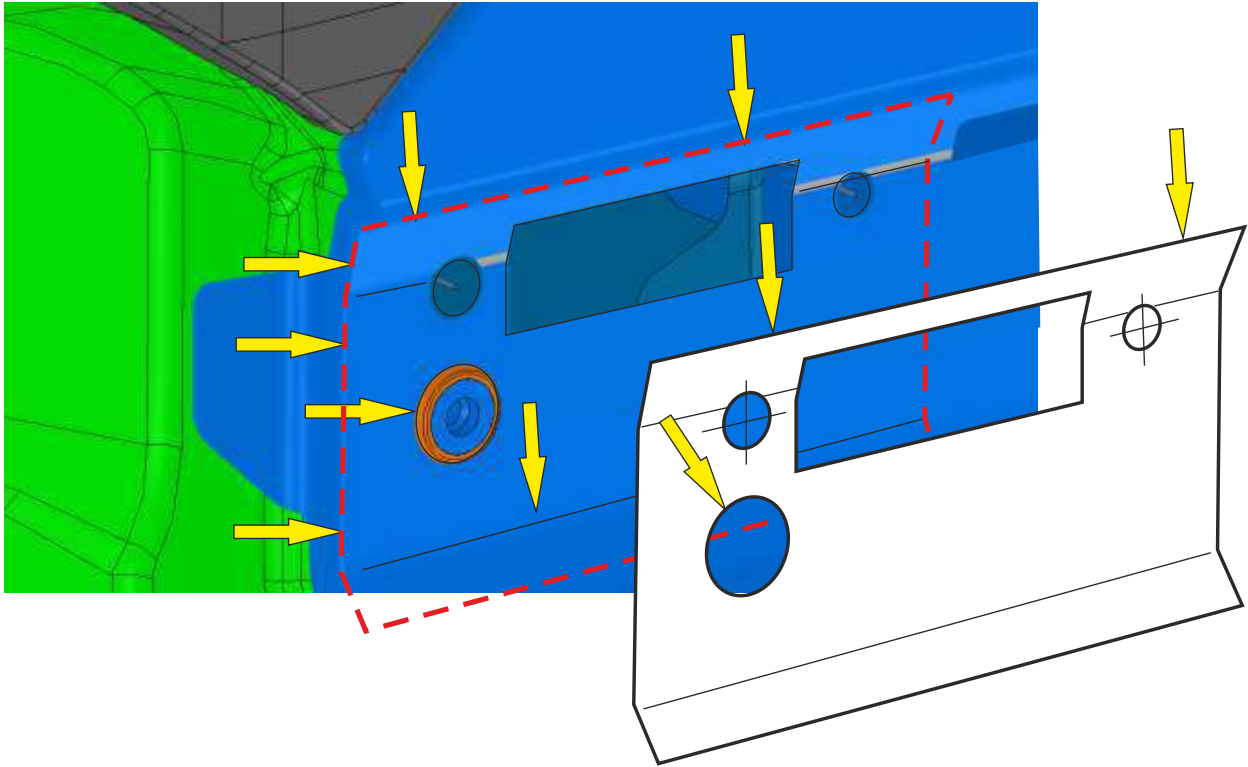
**Rear Idler Kit  
160-36-340**

ITEM NO.	PART NUMBER	DESCRIPTION	Exploded/QTY.
1	111-02-013-1	Rear idler	1
2	614-06-016	Socket button head cap screw M6X16	2
3	603-02-006	Rivet nut M6	1

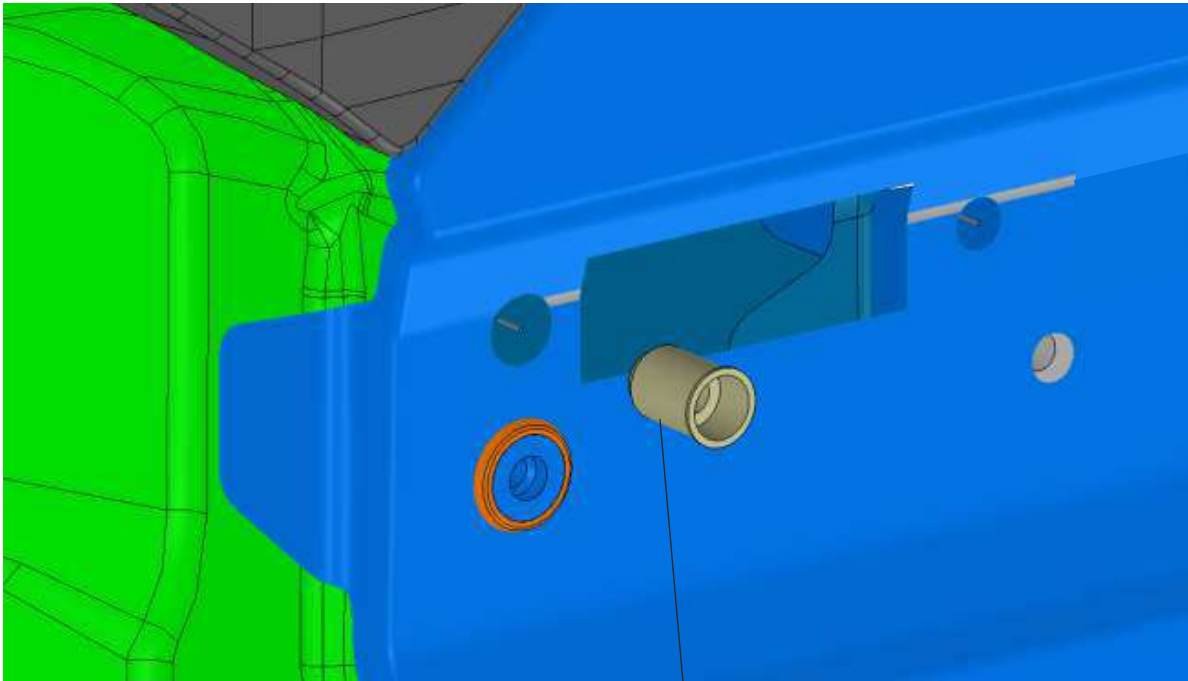


Disassemble the Central roller track

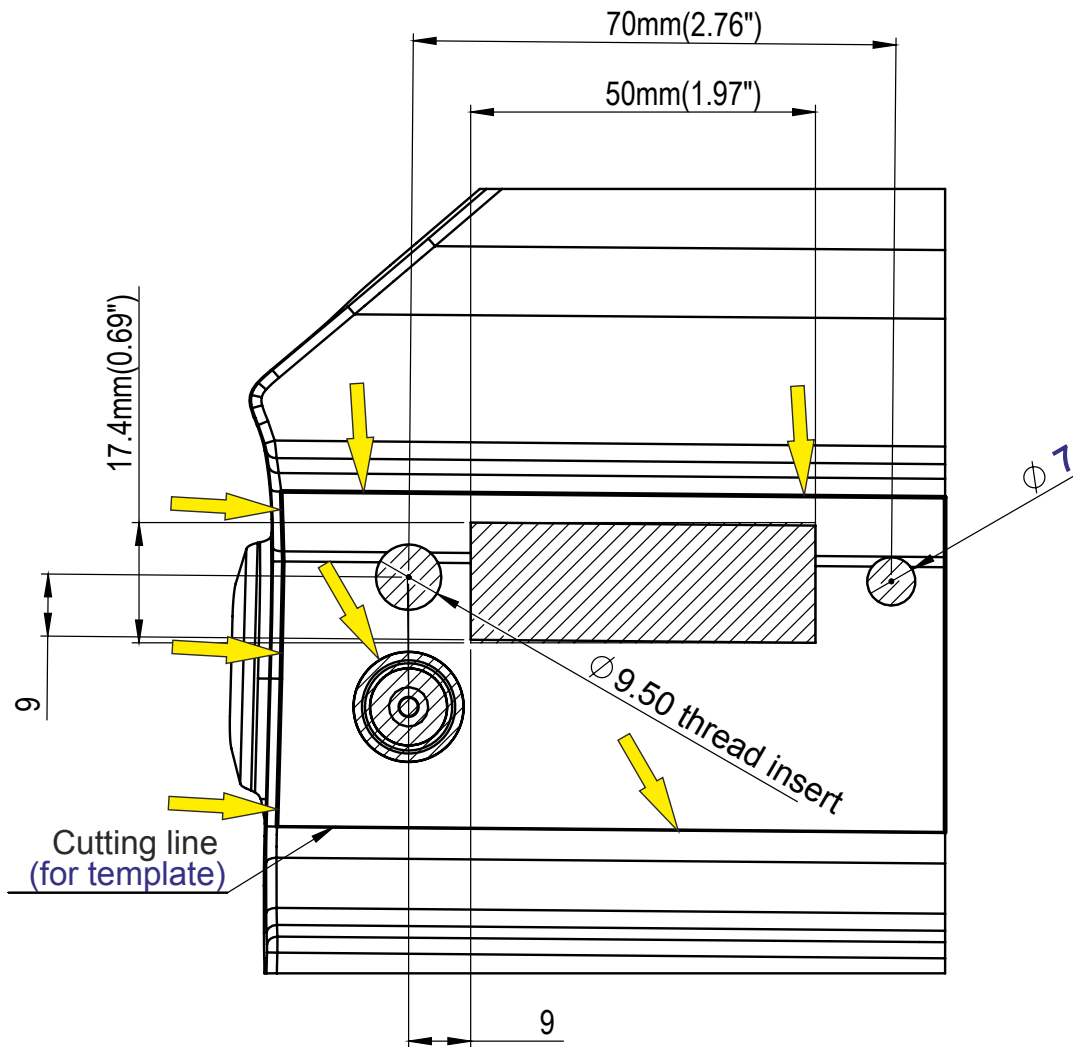




Template (Rear idler) Transit V363 MWB

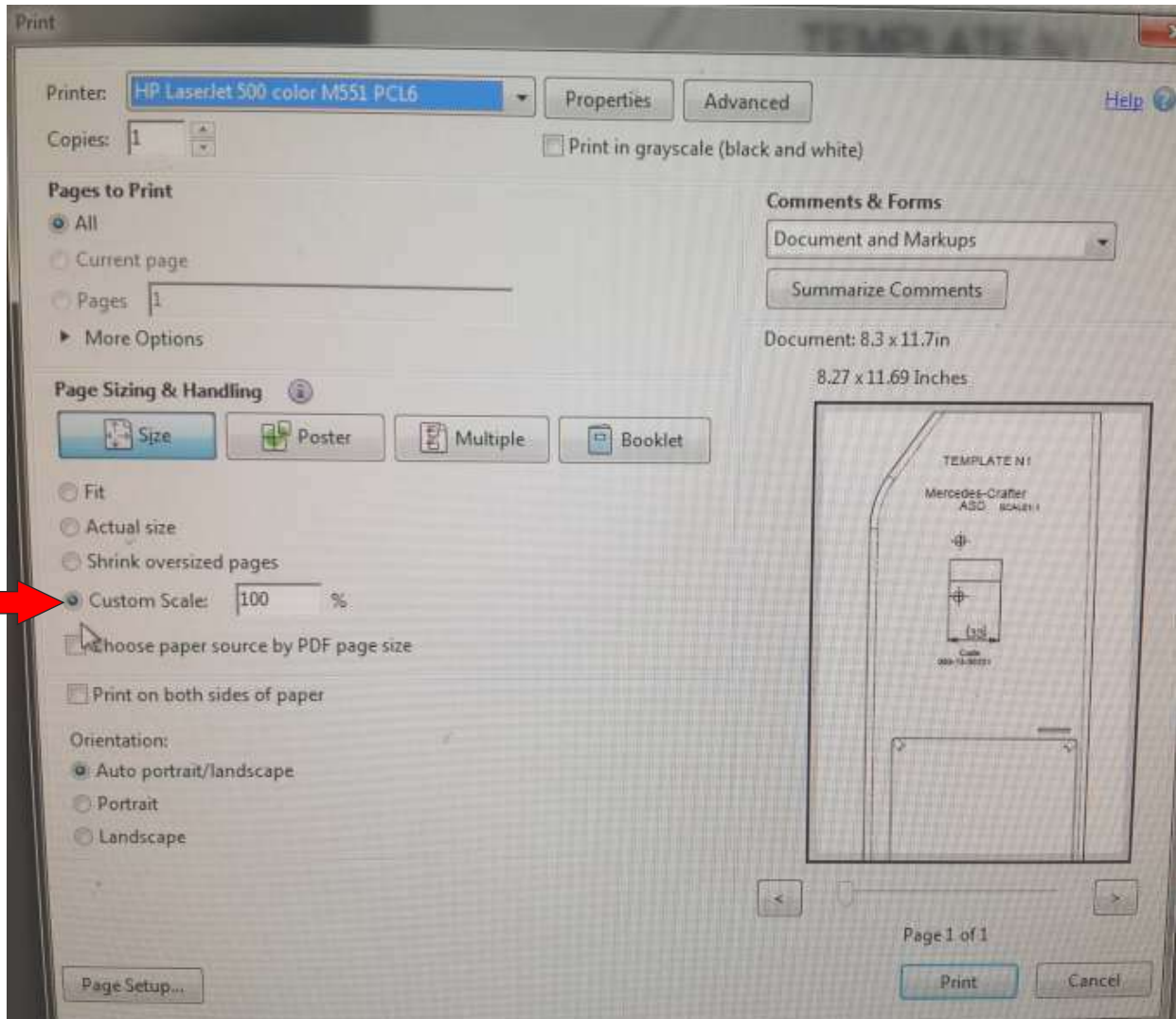


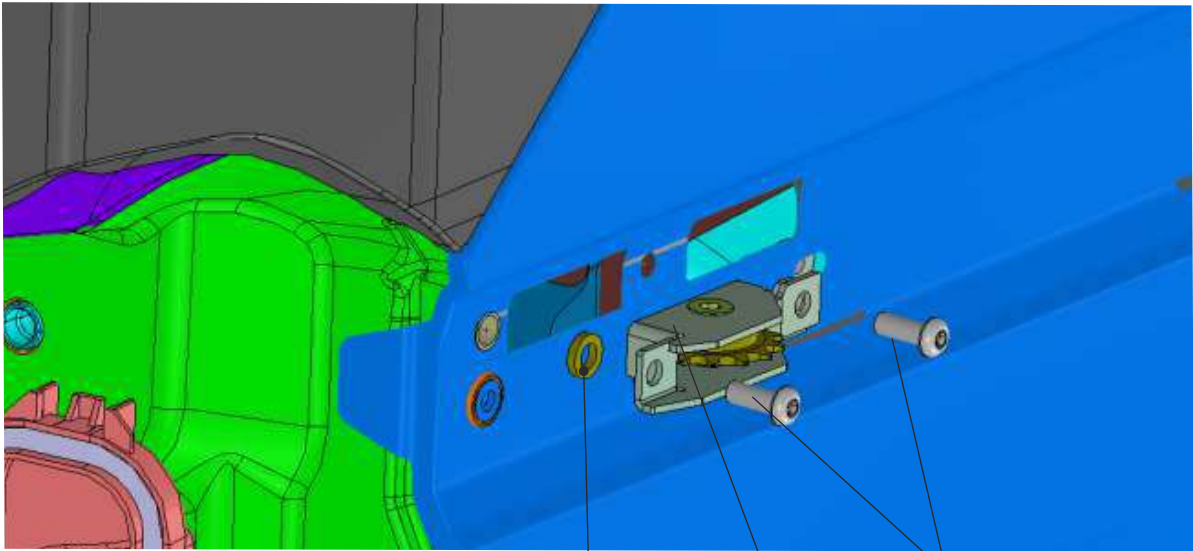
Thread insert  
(Rivet nut M6) 3



Template (Rear idler) Transit V363 MWB

Print  
scale 1:1

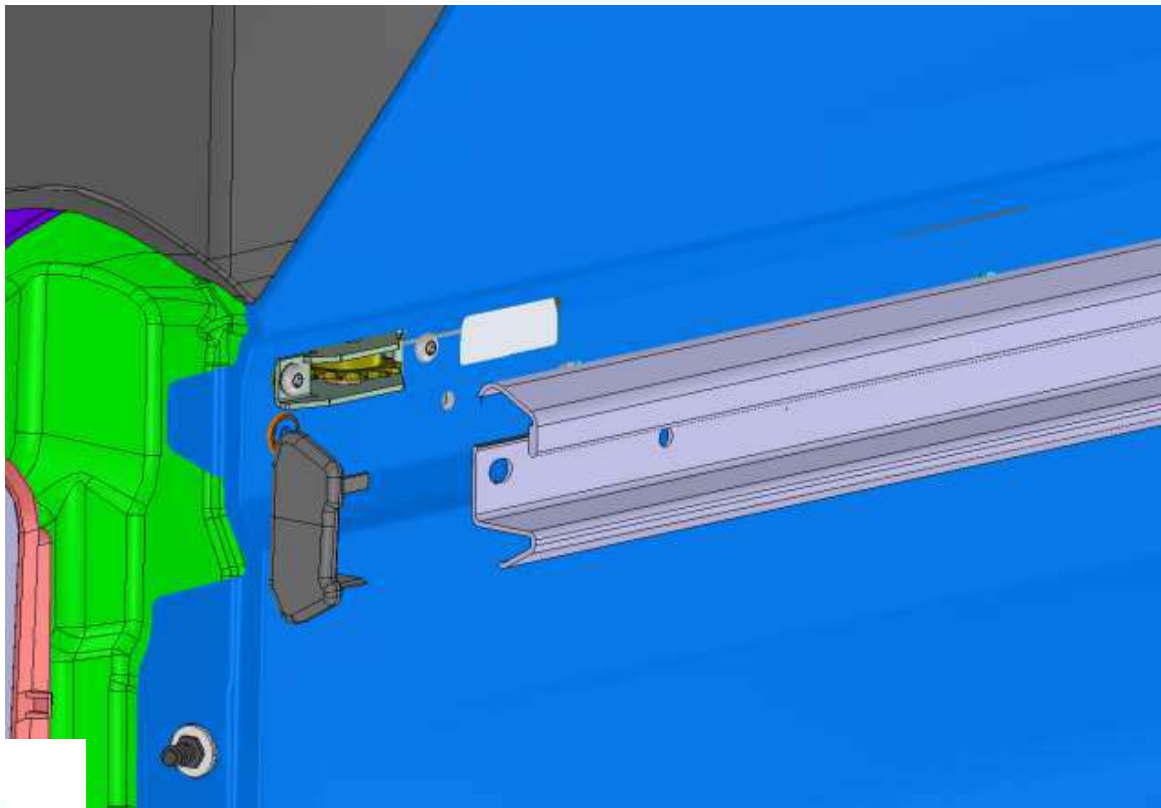




Spacer 5-6 mm  
See picture

1

2

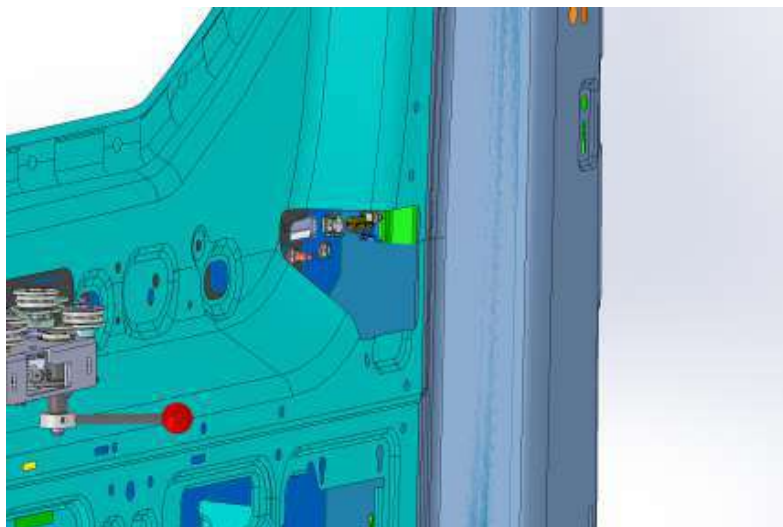
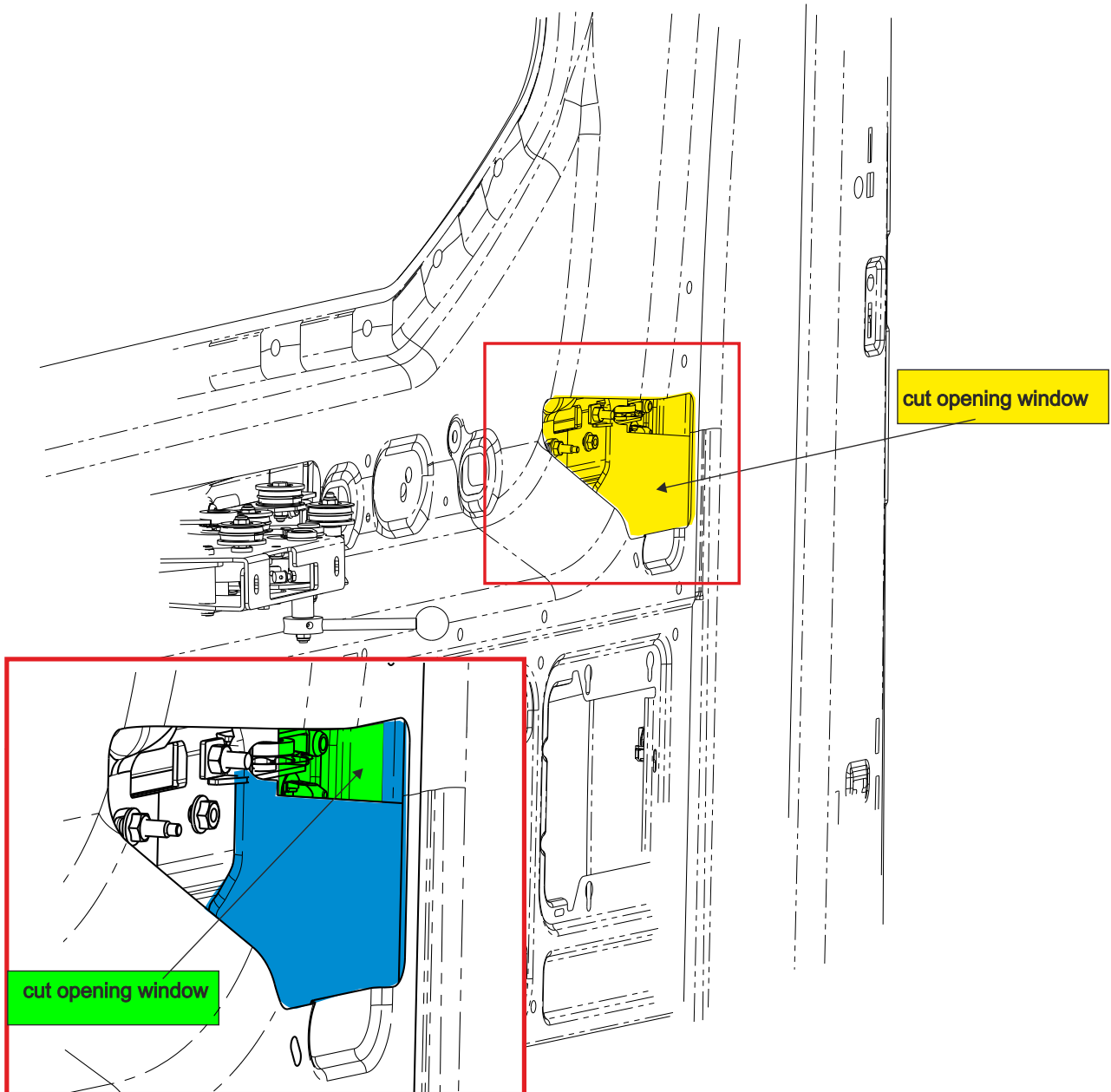


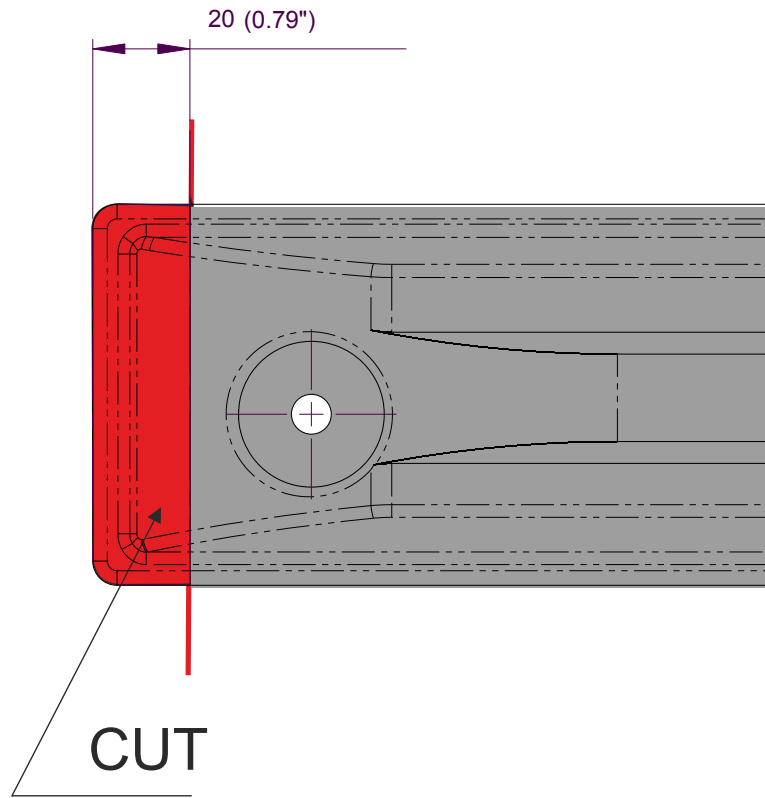


Spacer or flat washer









Rear Idler Cover

