

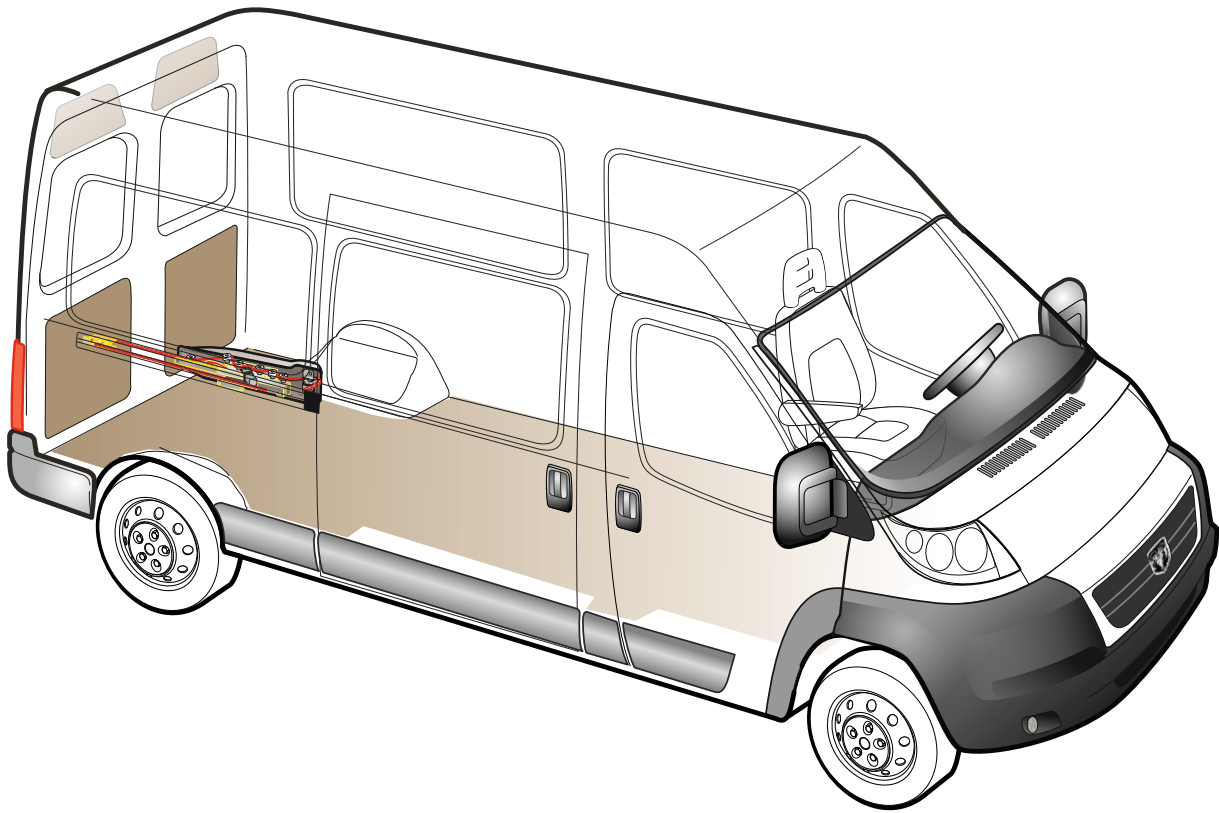


PowerDoorAndStep.com

888.928.8000



RAM
PROMASTER



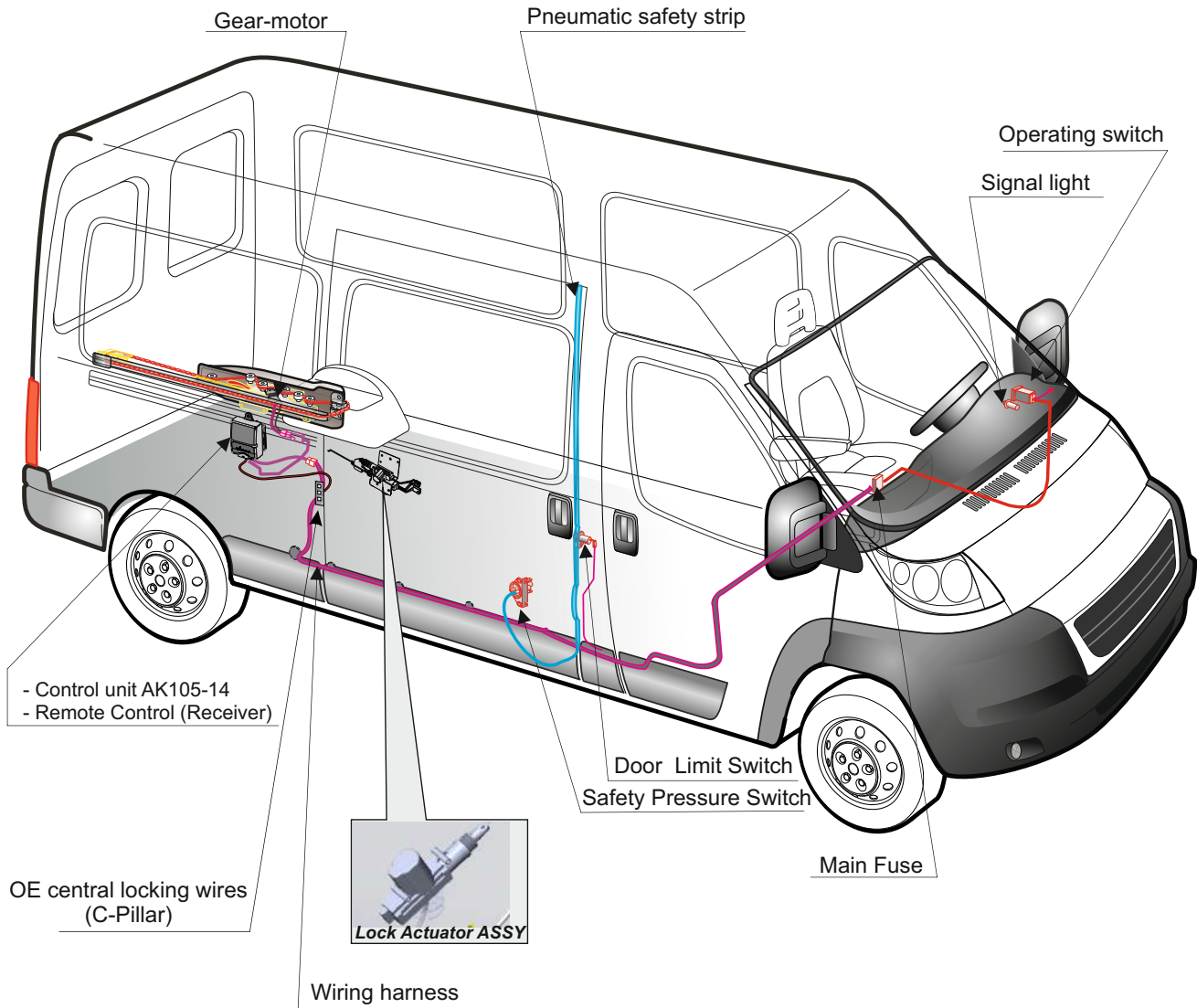
ASD
LHD Automatic Sliding Door

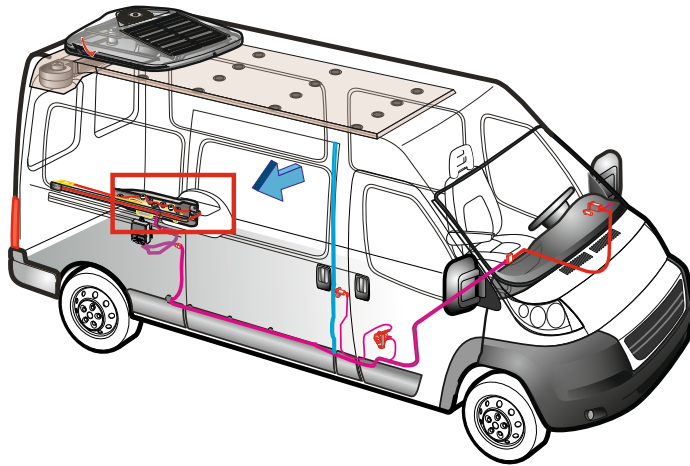
PN: 015-0002-DL1

Recommendation

Please print this instruction manual in **color**

25.06.17





Supplied Template



Drill $\varnothing 7\text{mm}$ (0.27") (x2)

Cut according to Template

Cut according to dimensions

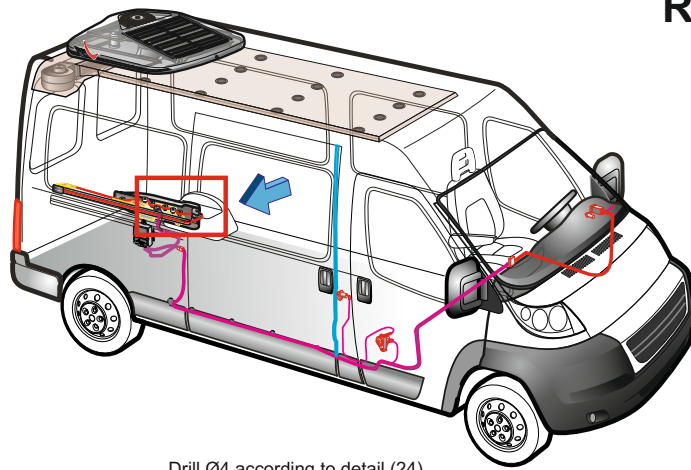
60mm (2.36")

380mm (14.96")

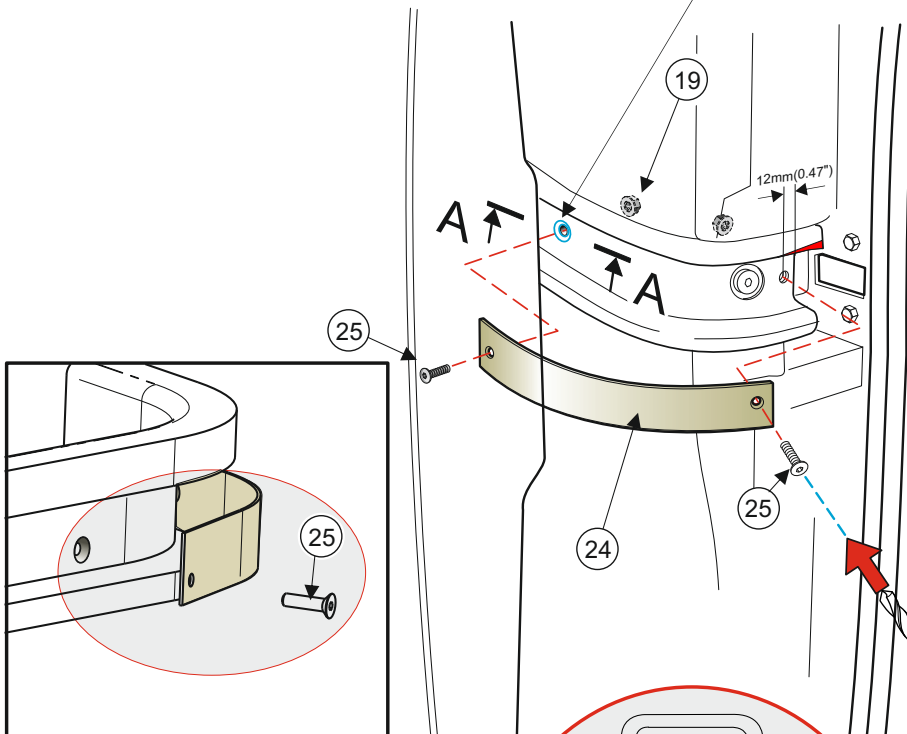
10mm (0.39")

RAM ProMaster

015-0002-DL1



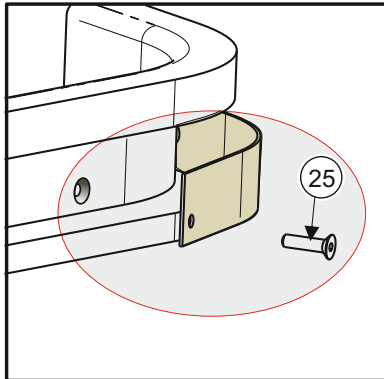
Drill Ø4 according to detail (24)



Step 1
Align chain slide strip (24) to the right and bottom of the track.

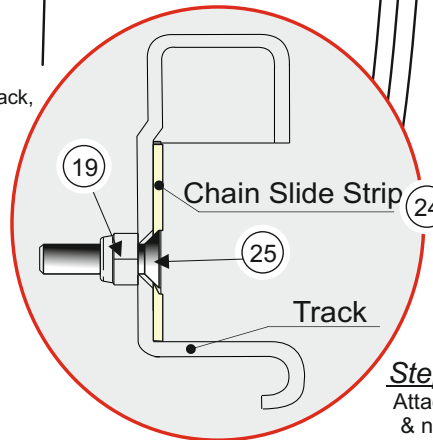
Step 2
Mark & drill thru the right strip hole 4 mm.

Step 3
Attach the right strip using screw M4x20 & nut M4





Step 4
Tightly pressed chain slide strip to the surface of track. Mark & drill thru the left strip hole 4 mm.

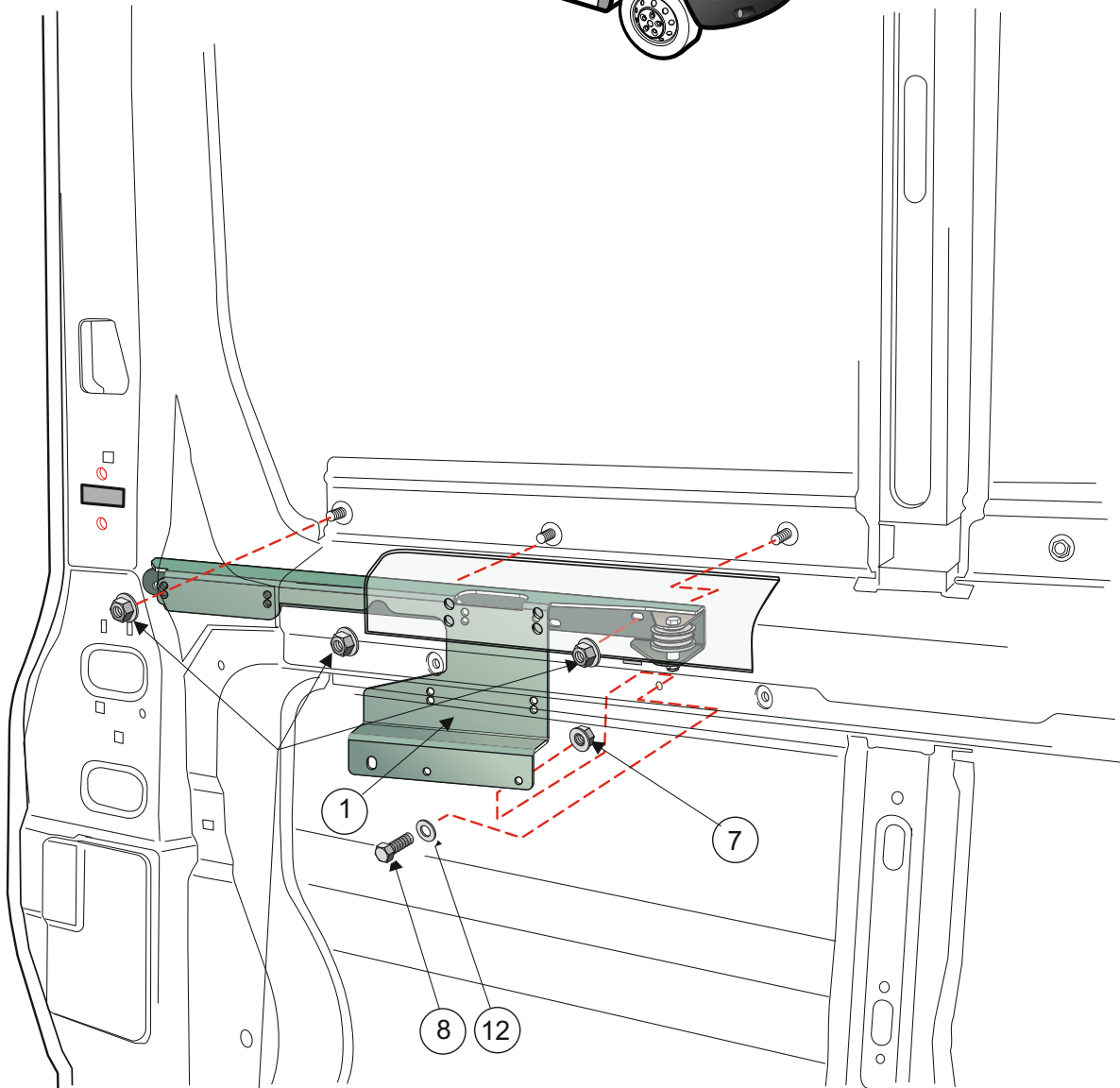
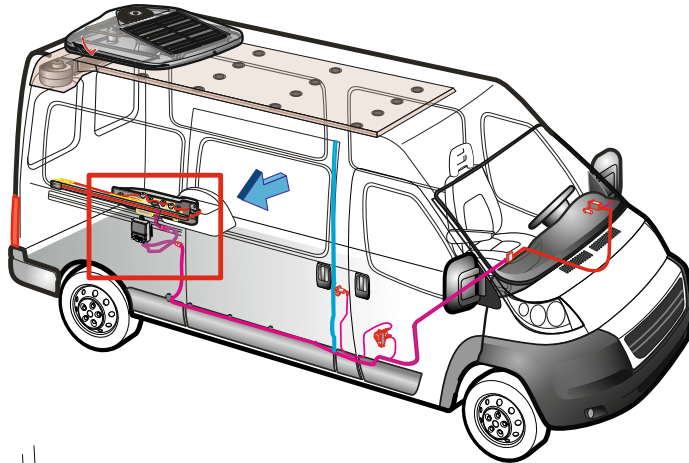
Step 5
Attach the left strip using screw M4x20 & nut M4



Section A-A

Step 6
Attach the left strip using screw M4x20 & nut M4 .
*Make sure the screw is entirely inside

- (25)  Socket flat head screw M4x20 - 2
- (19)  Lock nut M4 - 2

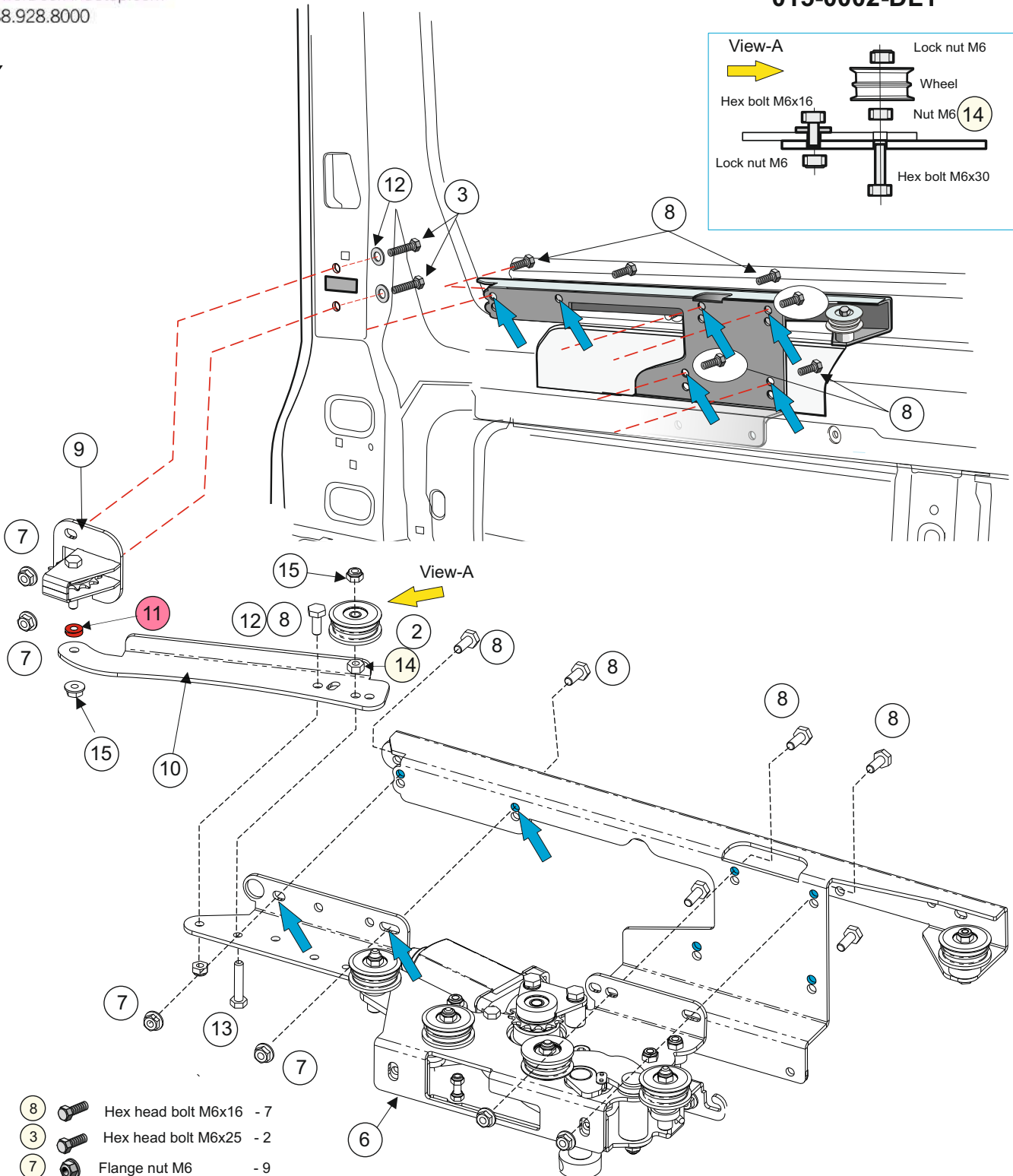
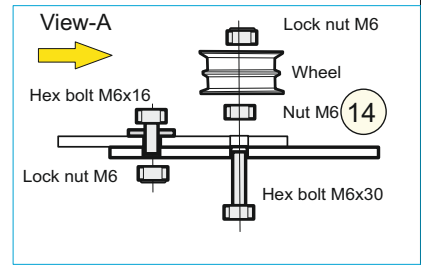


Original nuts (x3)

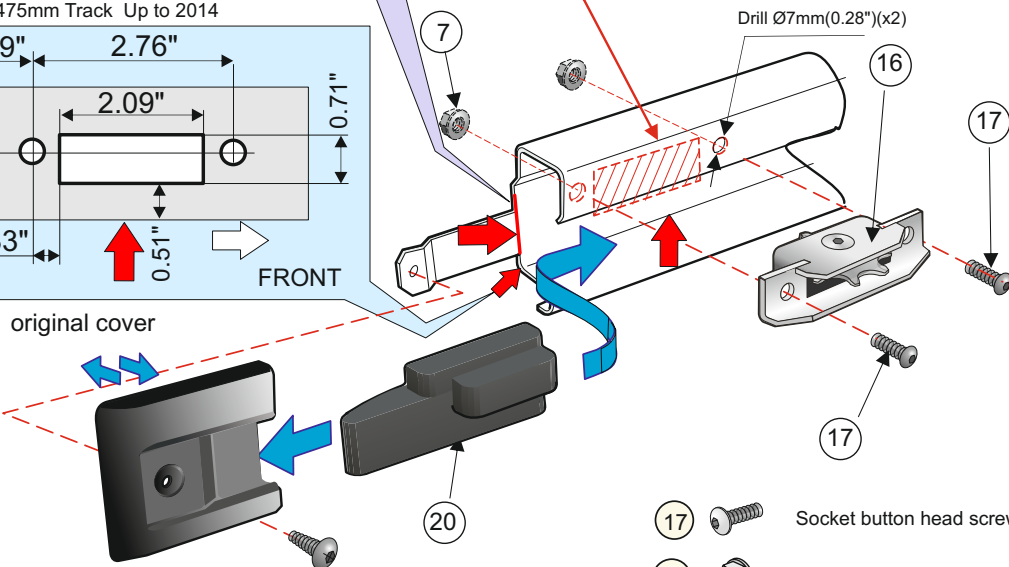
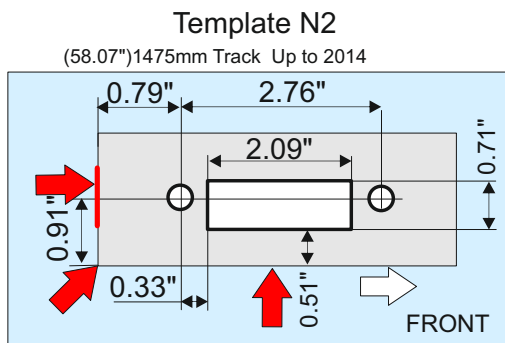
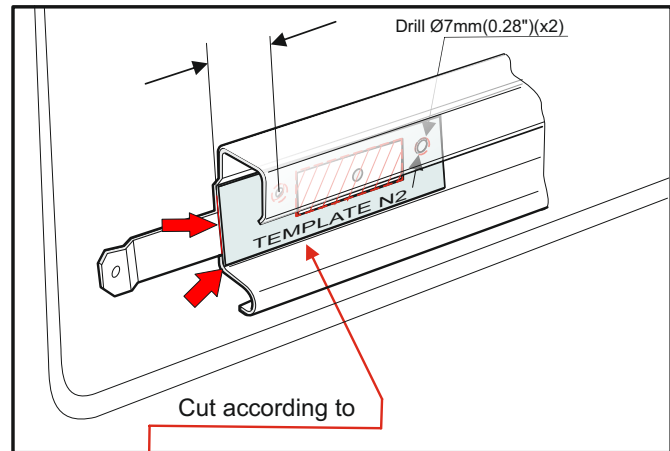
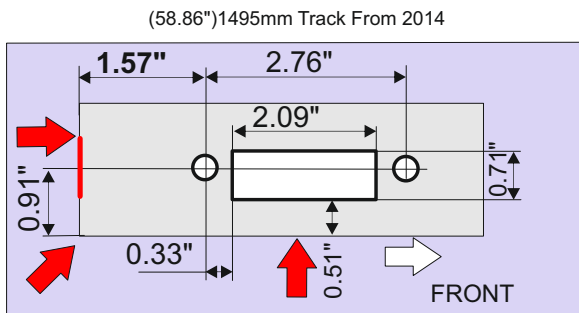
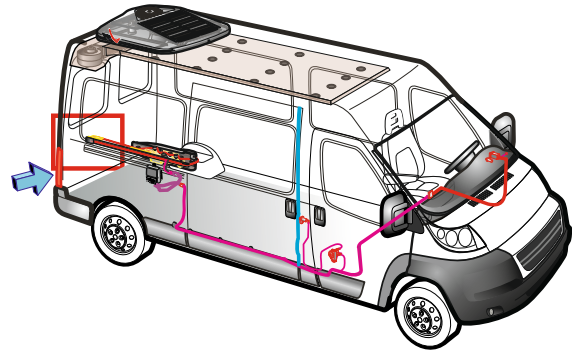
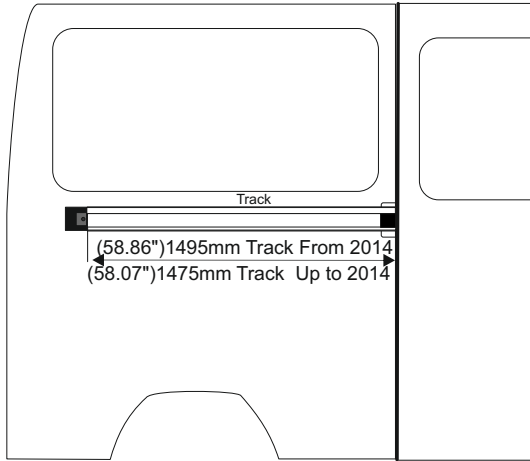
- | | | |
|----|--|--------------------------|
| 8 | | Hex head screw M6x16 - 1 |
| 7 | | Flange nut M6 - 1 |
| 12 | | Washer 6 - 1 |

RAM ProMaster

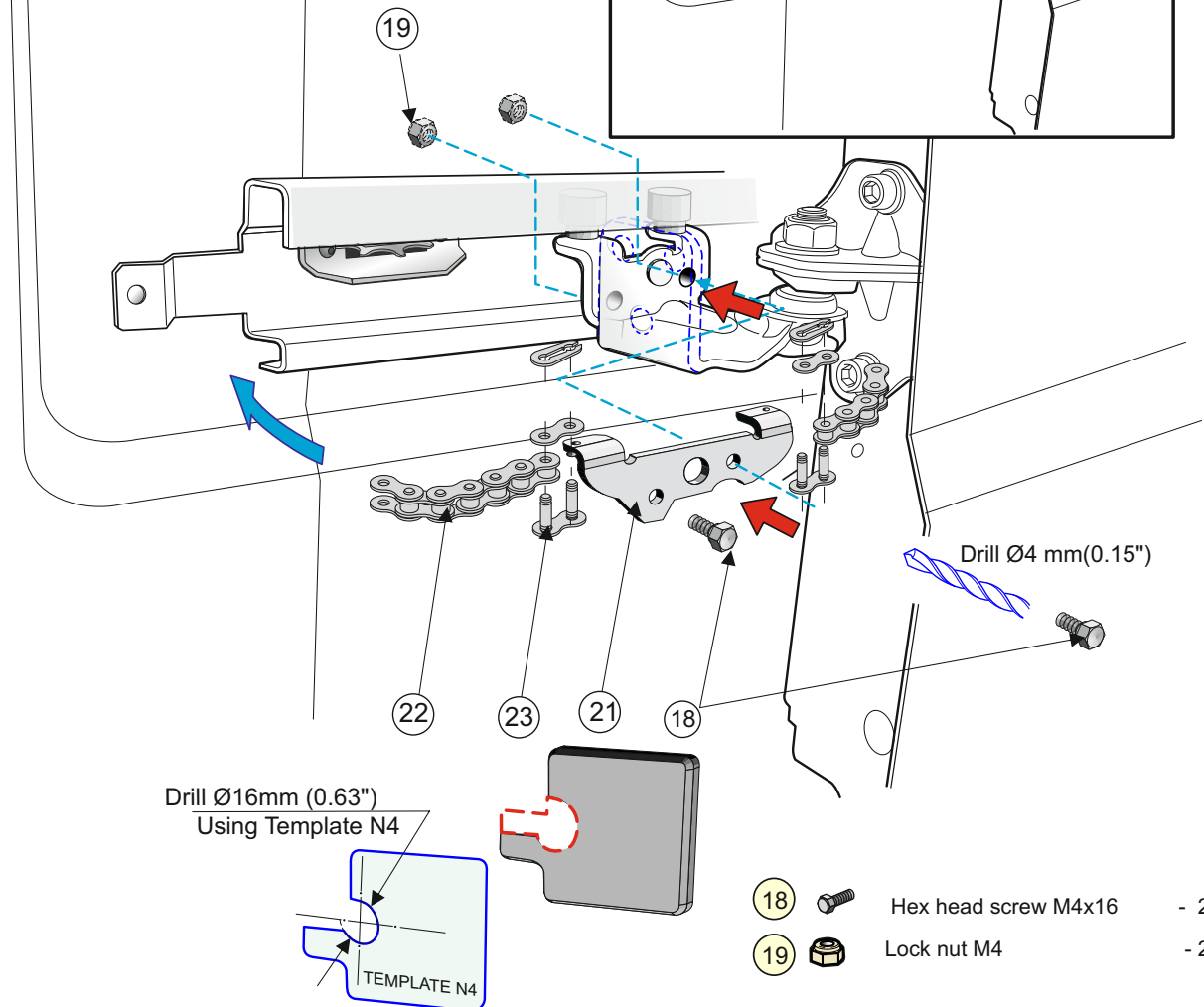
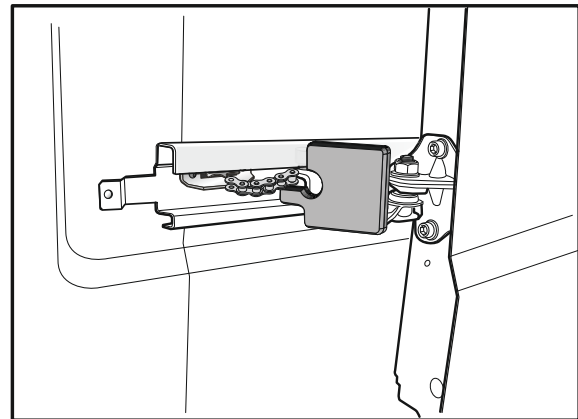
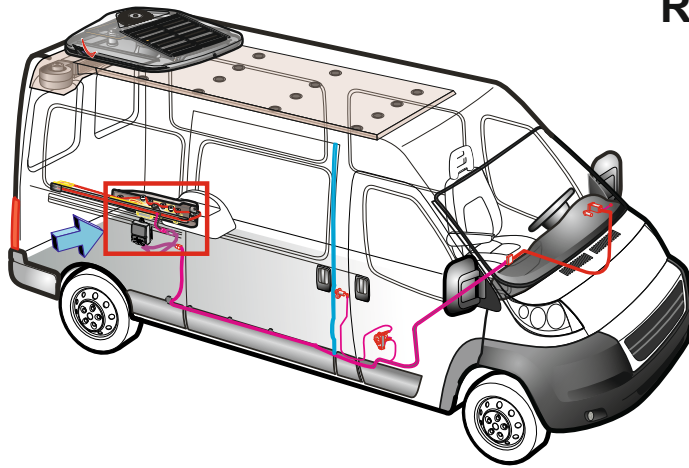
015-0002-DL1

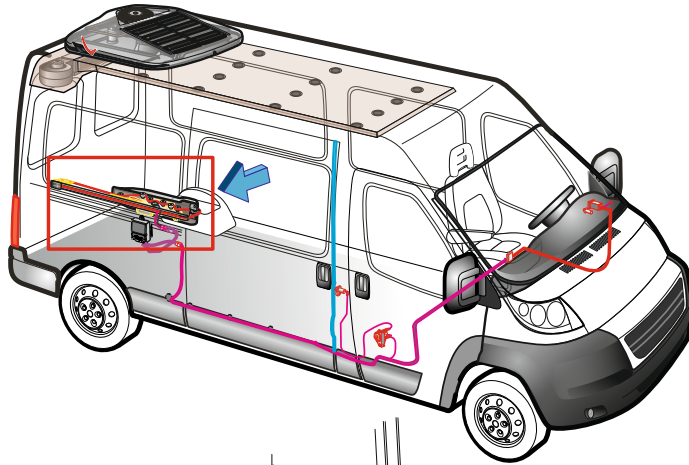


- (8) Hex head bolt M6x16 - 7
- (3) Hex head bolt M6x25 - 2
- (7) Flange nut M6 - 9
- (11) Thick Washer 6 (H=2.5mm) - 1
- (12) Washer 6 - 2
- (13) Hex head bolt M6x30 - 1
- (14) Nut M6 - 1
- (15) Lock nut M6 - 1

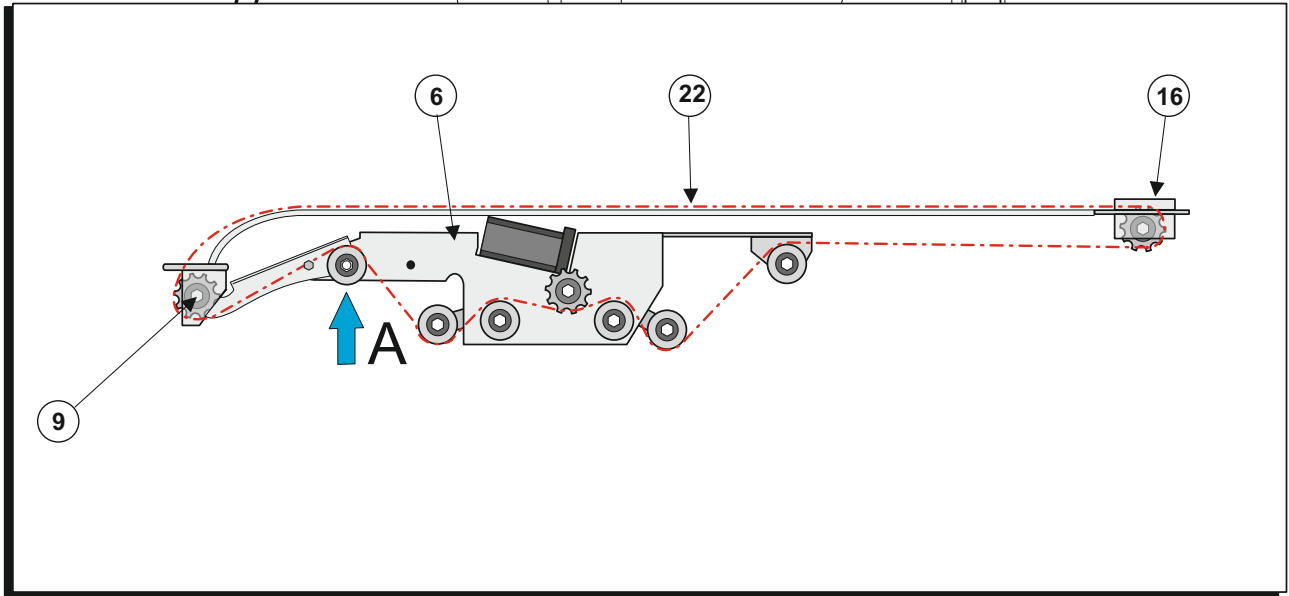
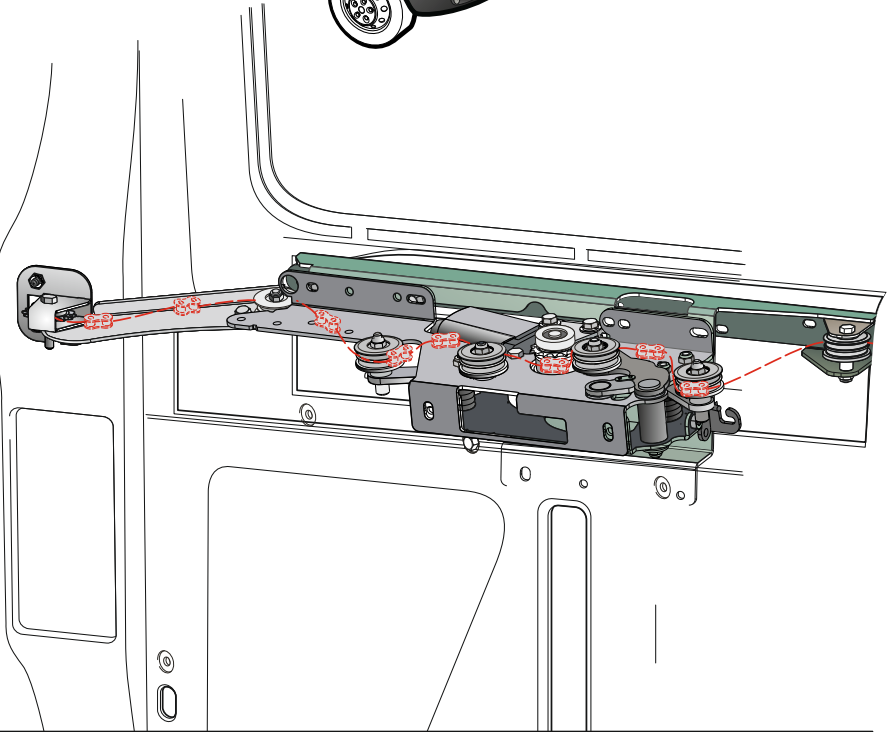
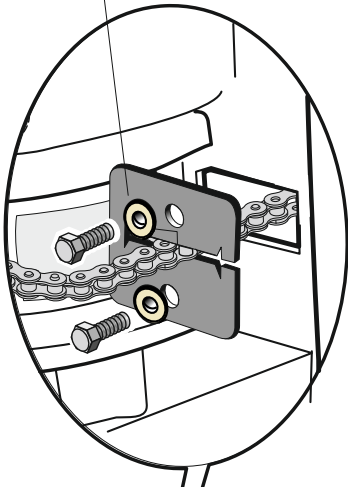


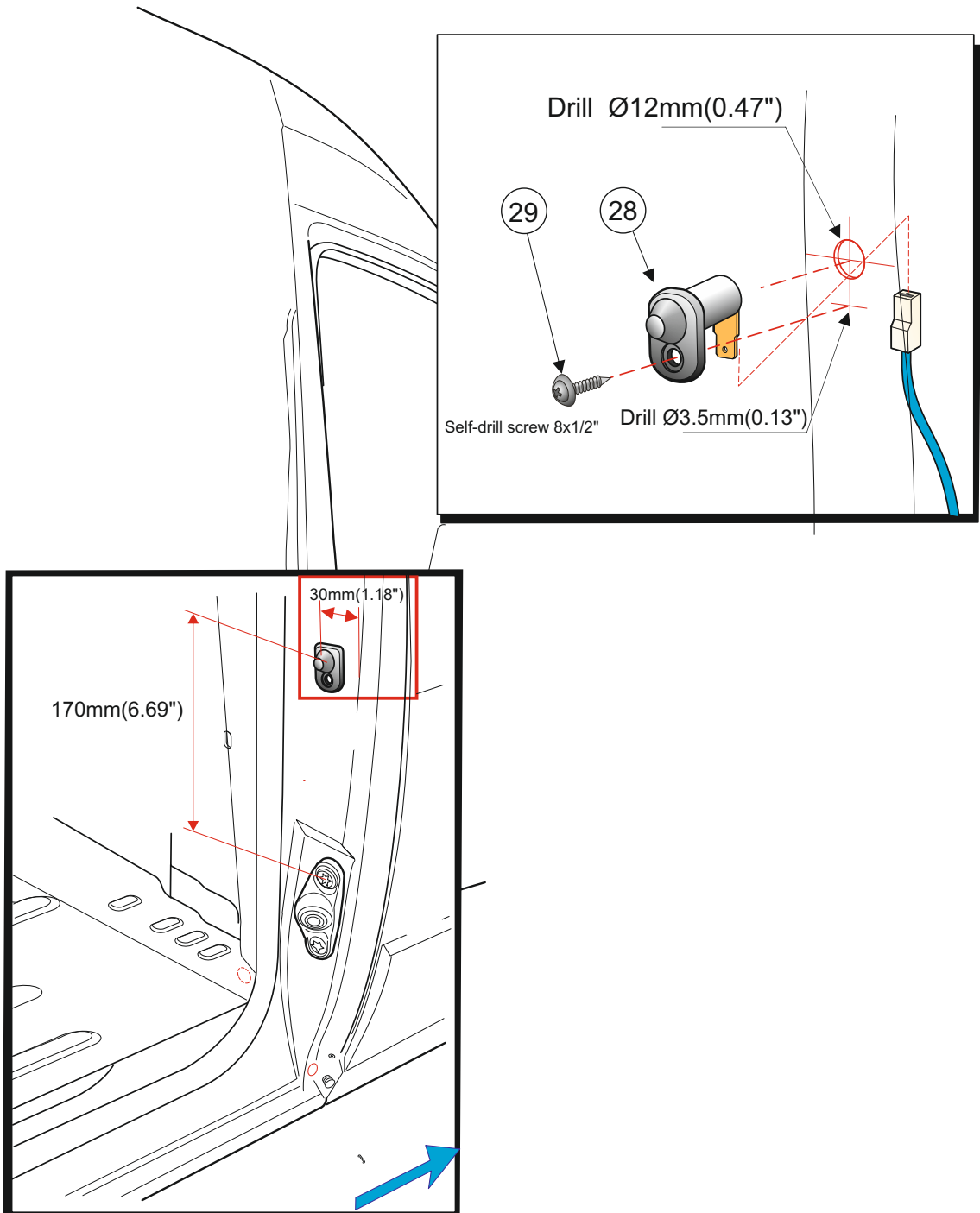
- 17 Socket button head screw M6x16 - 2
- 7 Flange nut M6 - 2

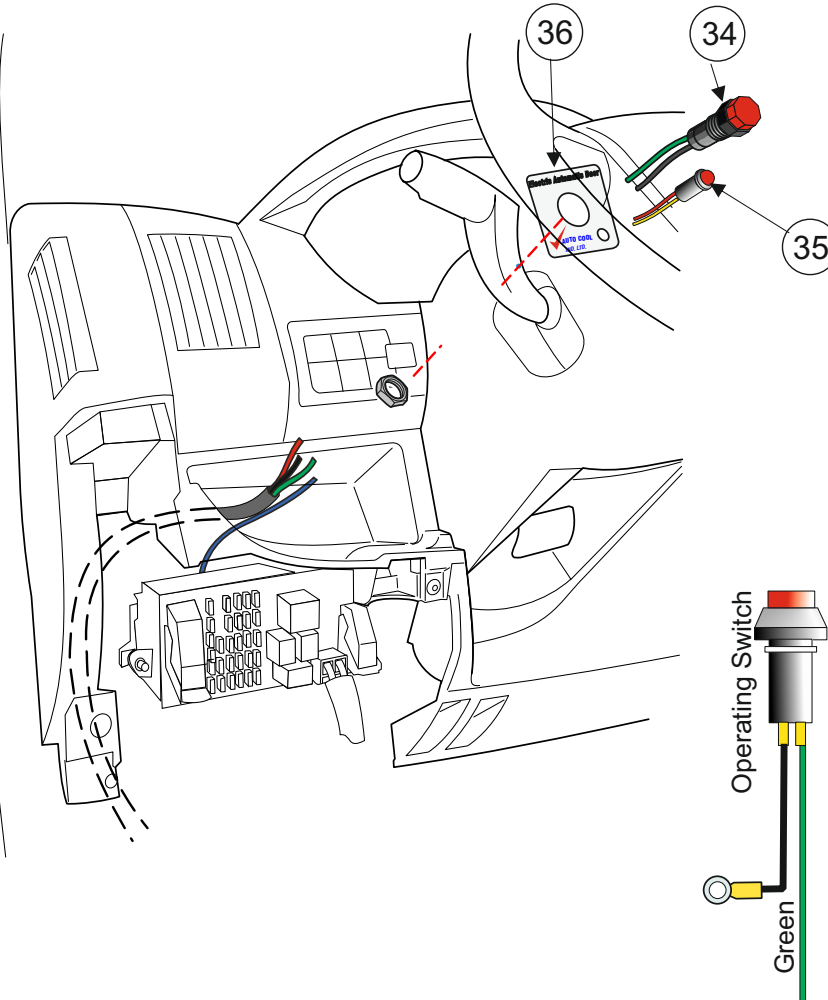
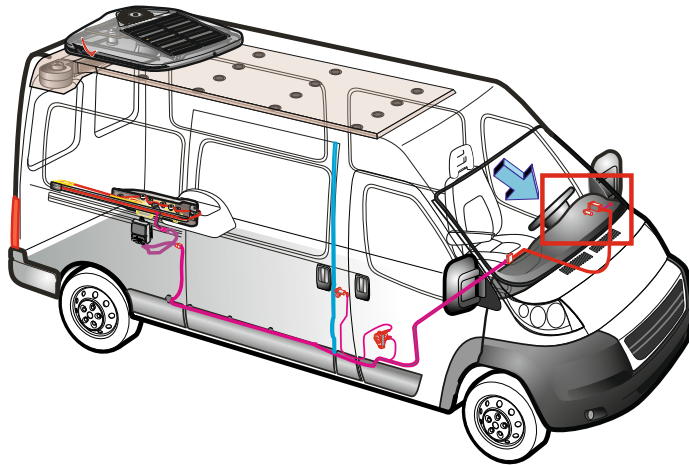




Chain sealing rubber
113-15-001





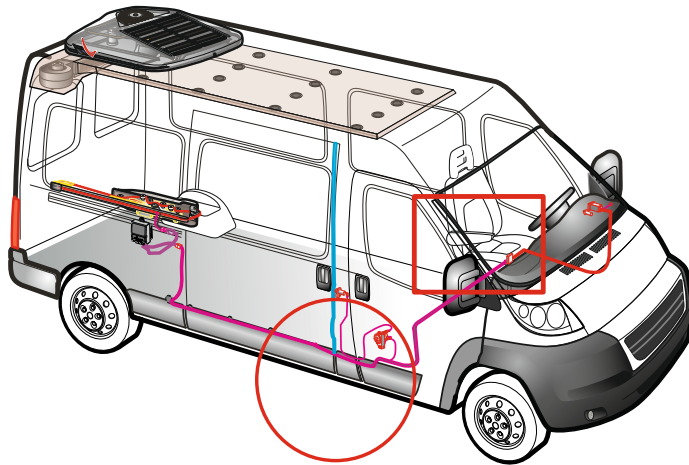


RAM ProMaster

015-0002-DL1

VSS Connection

From 2013

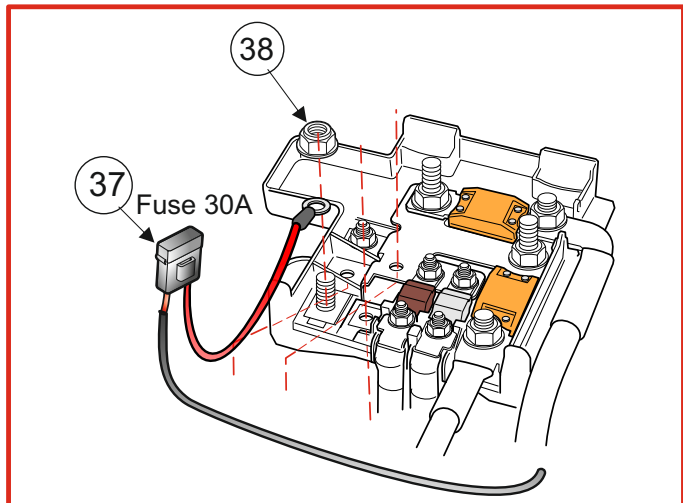
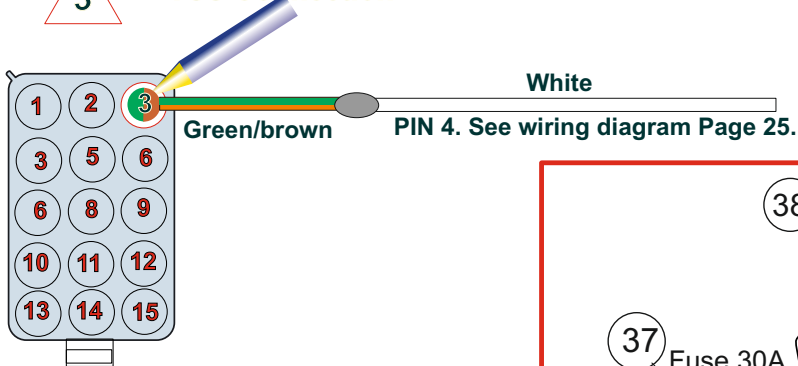


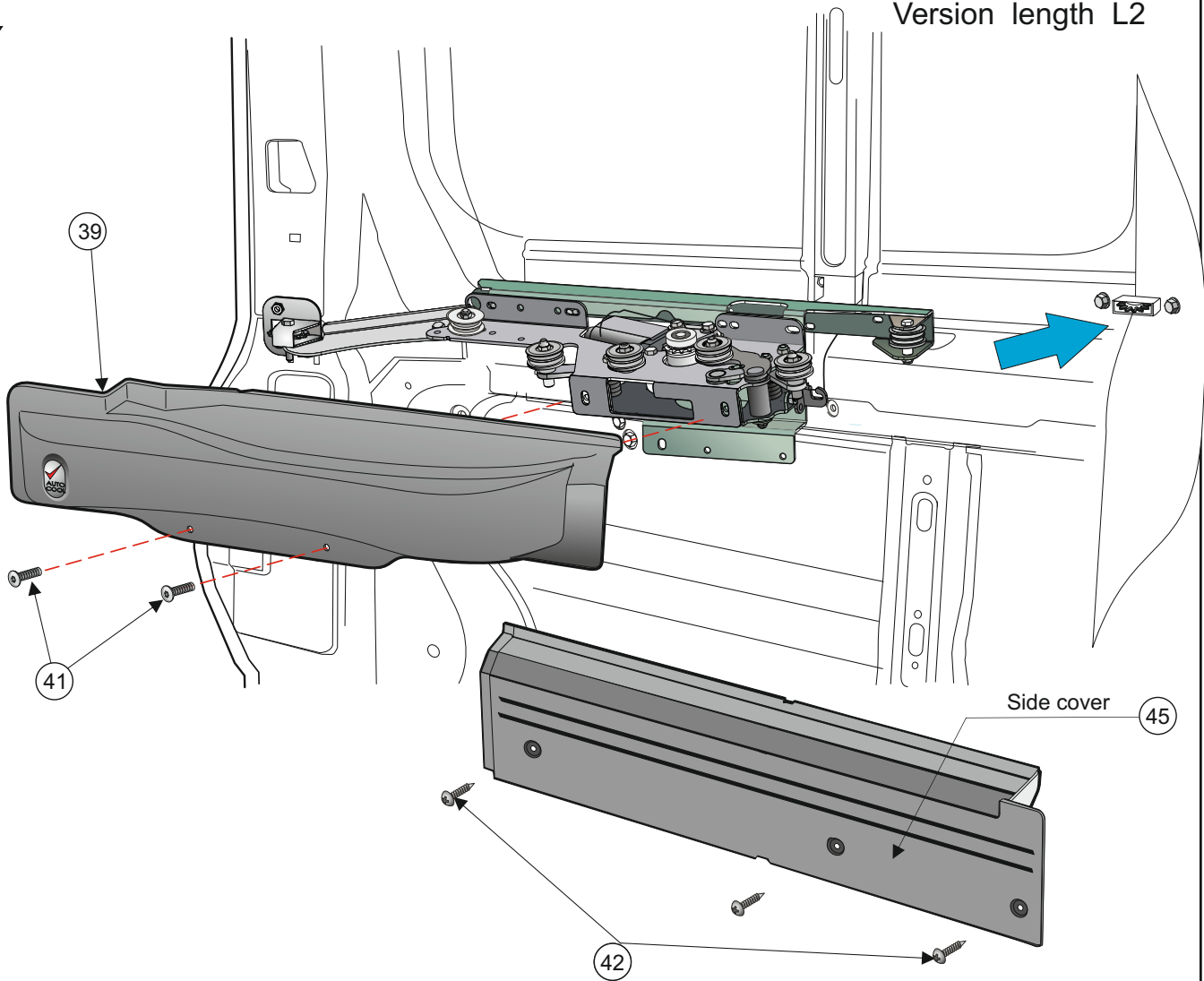
3



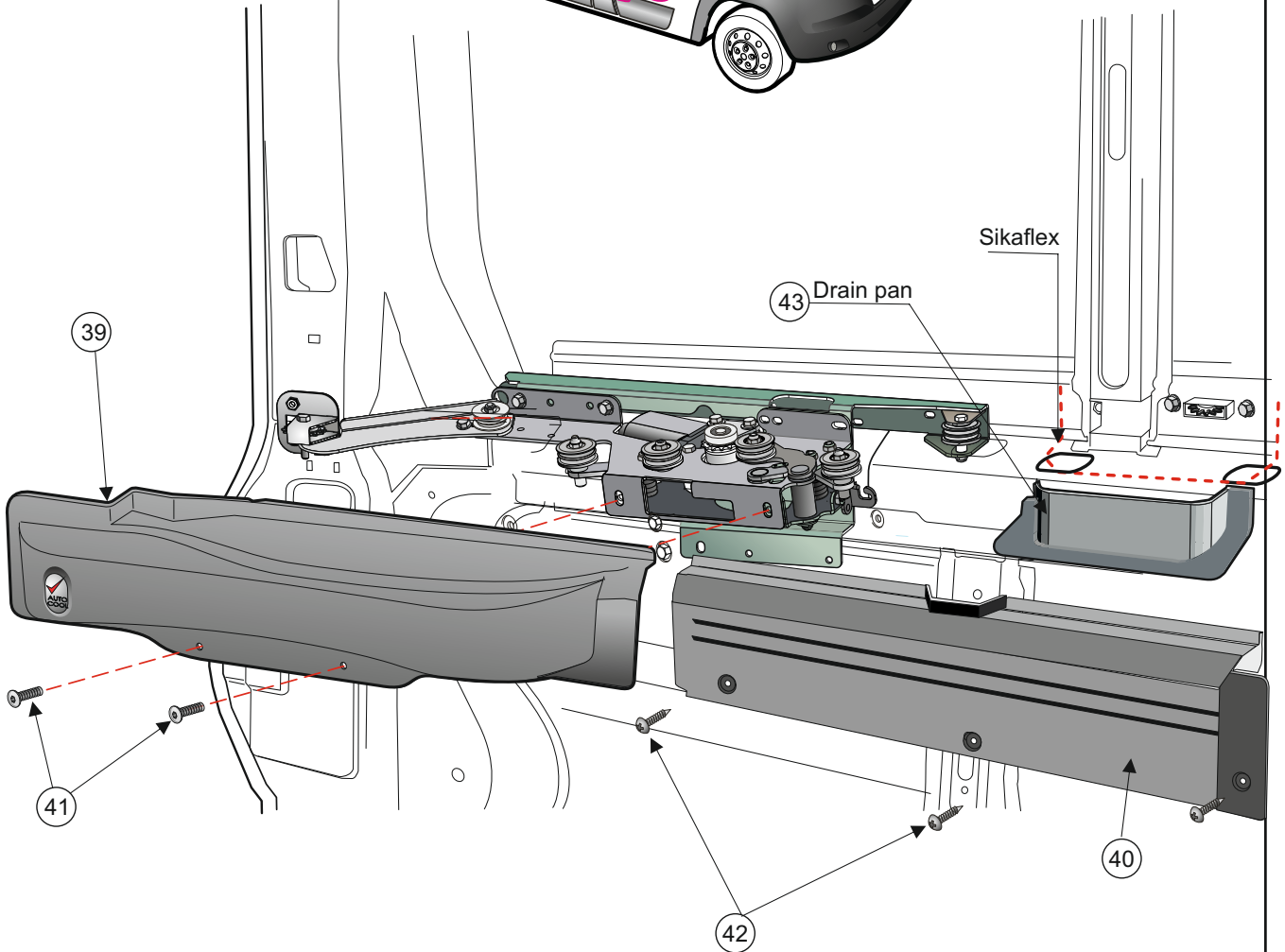
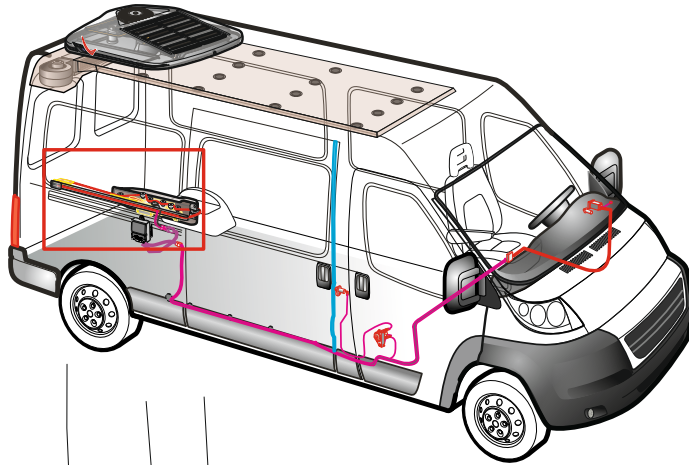
3

VSS Connection





Model L-2



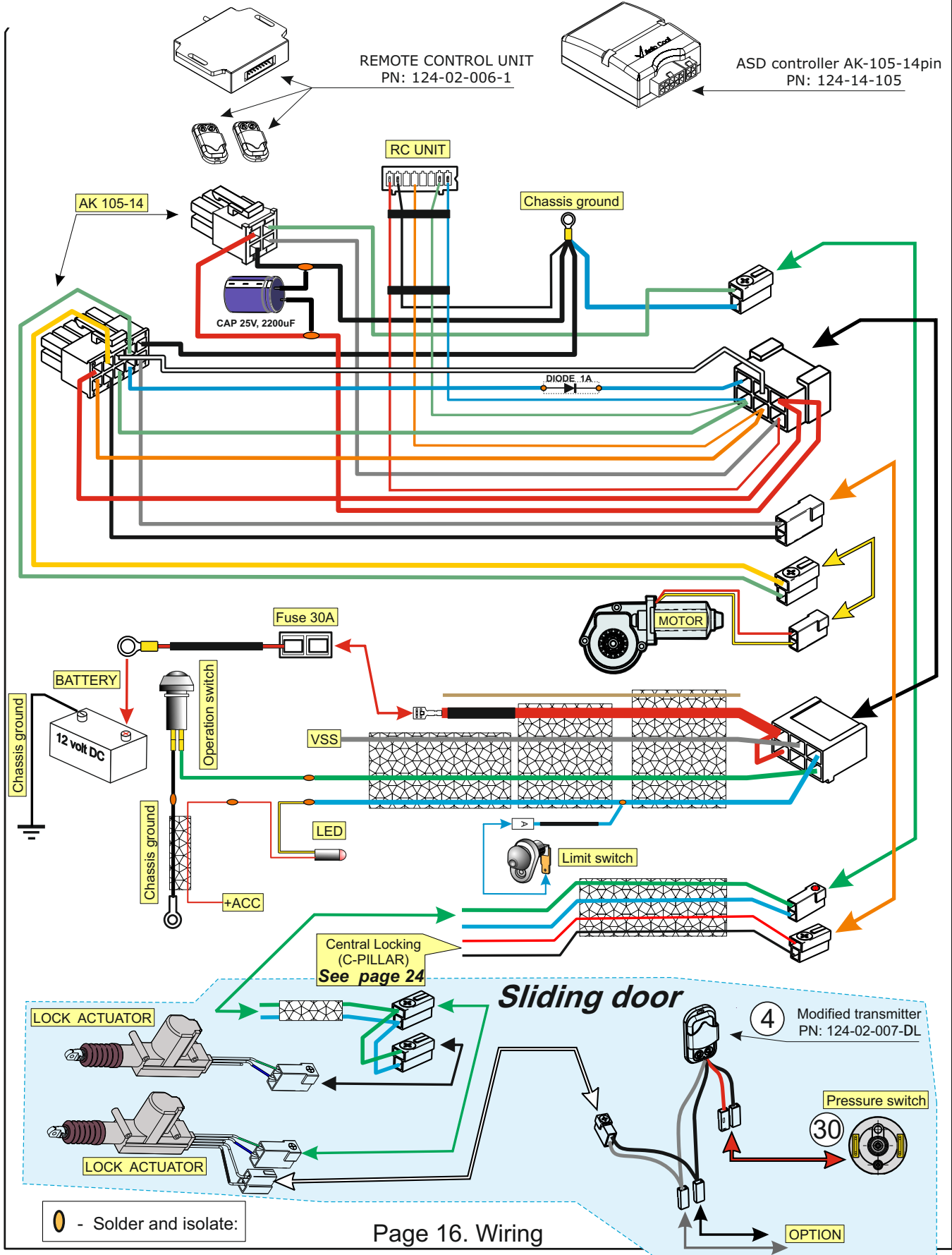
Covers Kit PN: 151-00-0021

Parts list of ASD system

No	Designation	Part No	Unit	Qty
1	Gear Motor Support	111-00-0021		1
2	Idler Wheel	107-11-004-1		1
3	Hex Bolt M6x25 DIN 933 8.8	632-06-025		4
4	Modified transmitter	124-02-007-DL		1
6	Gear Motor ASSY	111-00-013		1
7	Hex flange nut M6 DIN 6923	601-06-006		12
8	Hex Bolt M6x16 DIN 933 8.8	632-06-016		8
9	Front Idler	111-02-017		1
10	Front Idler Support	128-08-018		1
11	Thick Washer 6 DIN 7349	600-32-061		1
12	Washer 6 DIN 735	600-12-080		6
13	Hex Bolt M6x30 DIN 933 8.8	632-06-030		2
14	Hex Nut M6 DIN 934 CI6	601-02-006		3
15	Hex Lock Nut M6 DIN 985 CI8	602-02-006		2
16	Rear Idler	111-02-003		1
17	Socket button bolt M6x16 ISO 7380 10.9	614-06-016		2
18	Hex Bolt M4x16 DIN 933 8.8	632-04-016		2
19	Hex Lock Nut M4 DIN 985 CI8	602-02-004		4
20	Rear Idler Cover	153-01-0021		1
21	Chain Holder	128-00-0021		1
22	Roller Chain	178-00-002-1	(183 links L-2936mm)	1
23	Connecting link	900-01-072		2
24	Slide Strip	134-01-002		1
25	Flat socket head screw M4x20 DIN 799	613-04-020		2
26	Cable strap	125-10-016		1
27	Star washer 6	600-04-061		2
28	Limit Door Switch	124-00-039		1
29	Self-drill screw 8x1/2"	647-08-003		1

Parts list of ASD system

No	Designation	Part No	Quantity
	Pneumatic safety switch	122-10-047	1
30	Pneumatic safety switch ASSY	160-10-042	
31	Philips Screw 6x3/8"	646-08-017	2
32	Pneumatic Safety Strip	113-65067	2m
33	Rubber Tube	113-06-067	1
34	Operating switch	124-00-018	1
35	Signal light	124-10-069	1
36	Decal	125-00-018	1
37	Fuse 30A	124-10-084	1
38	Hex flange nut M8	601-08-008	1
39	Gear Motor Cover	153-00-0021	1
40	Side Cover L3	153-02-0021	1
41	Flat socket head screw M6x20	613-06-020-1	2
42	Screw 8x3/4"	646-08-024	4
43	Drain pan	153-04-0021	1
44	Rubber grommet	112-04-000	3
45	Side Cover L2	153-15-021	1

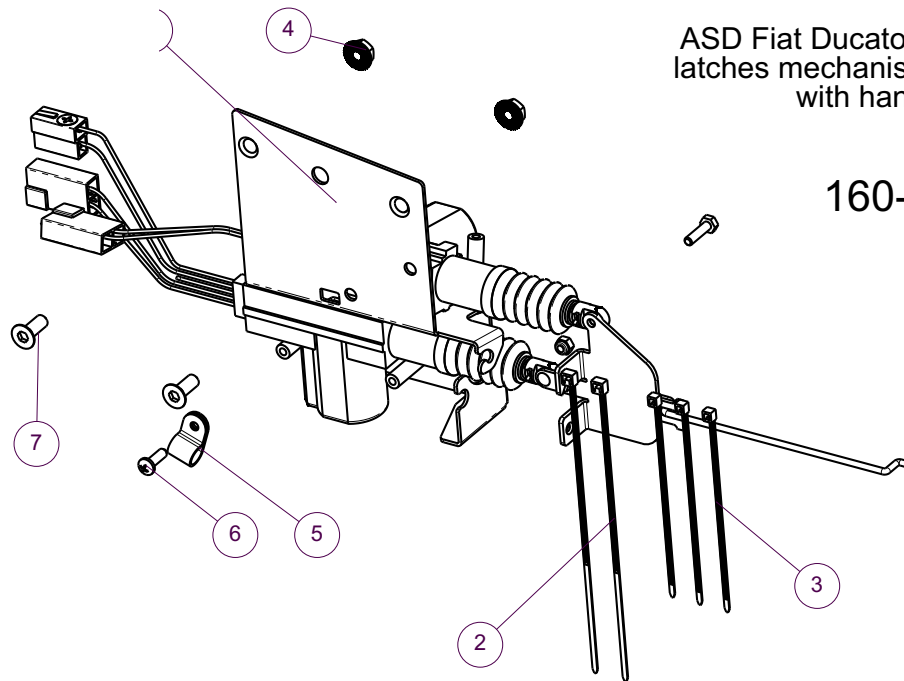


RAM ProMaster

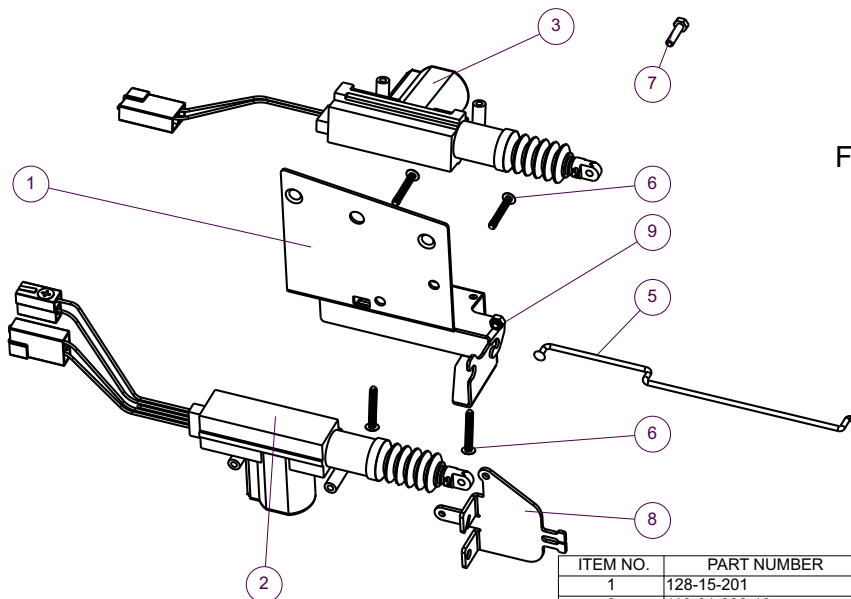
015-0002-DL1

ASD Fiat Ducato Original Door latches mechanism & operation with handles

160-15-201



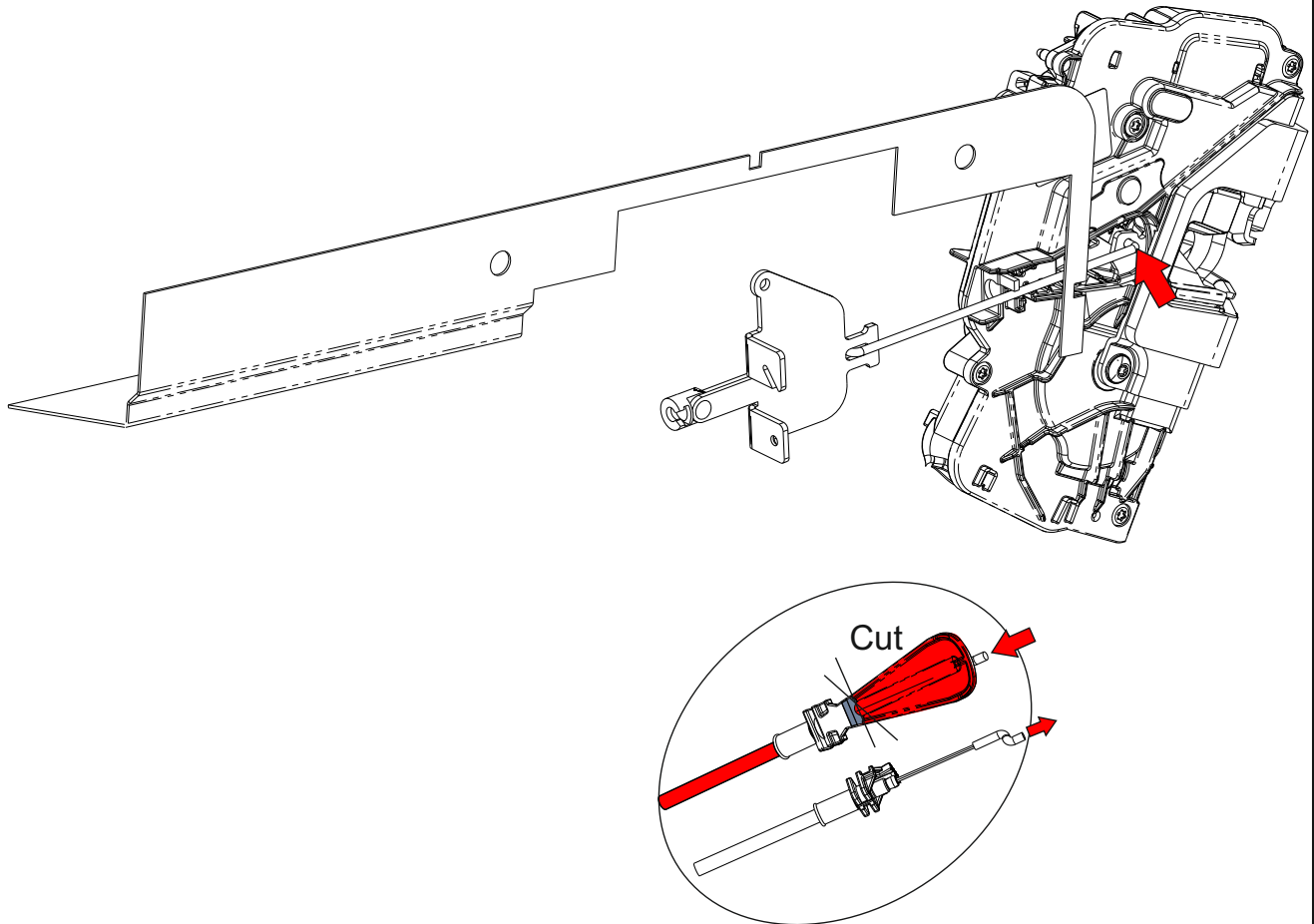
ITEM NO.	PART NUMBER	DESCRIPTION	QTY.
1	111-15-201	Fiat Ducato locker bracket ASSY	1
2	125-10-014	Cable strap 100mm	2
3	125-10-016	Cable strap 150mm	3
4	601-06-006	Hex flange nut M6 DIN 6923	2
5	125-10-005	Plastic clamp UC-2 3/8"	1
6	646-08-020	Phillips screw 6x3/8"	1
7	613-06-016	Socket flat head screw M6X16	2

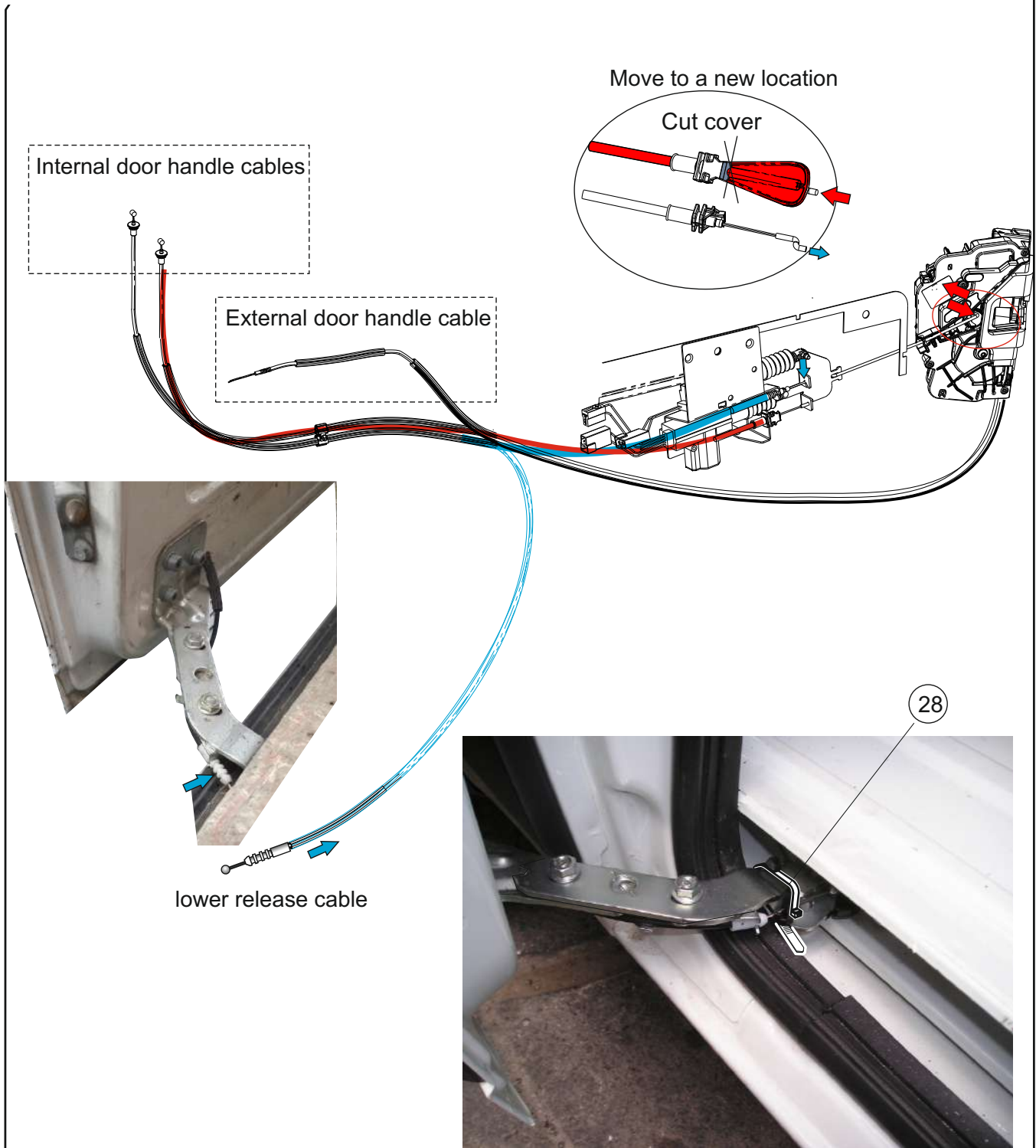


Fiat Ducato locker ASSY

111-15-201

ITEM NO.	PART NUMBER	DESCRIPTION	QTY.
1	128-15-201	Actuator bracket	1
2	110-01-006-10	Lock actuator ASSY	1
3	110-11-006	Actuator ASSY	1
5	128-36-309	V363: V408 Lock Actuator arm	1
6	Philips cross Screw 4.2		4
7	632-04-016	Hex bolt M4x16, DIN933	1
8	128-15-203	Cables adapter	1
9	602-02-004	Lock nut M4 DIN985	

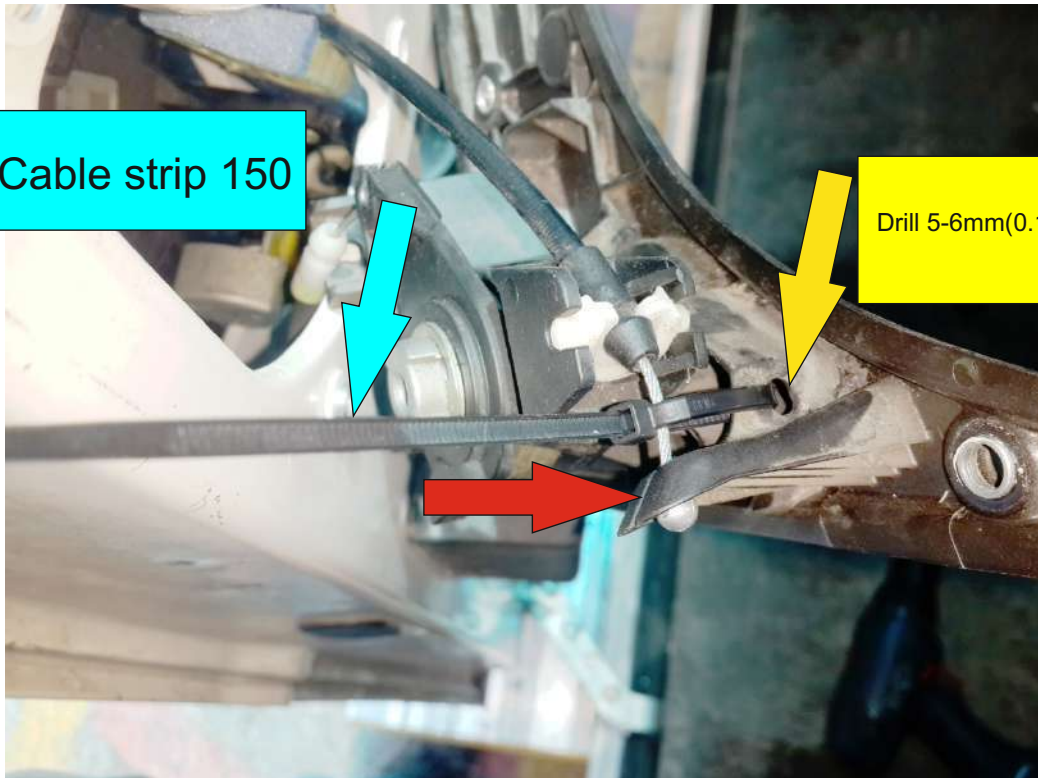
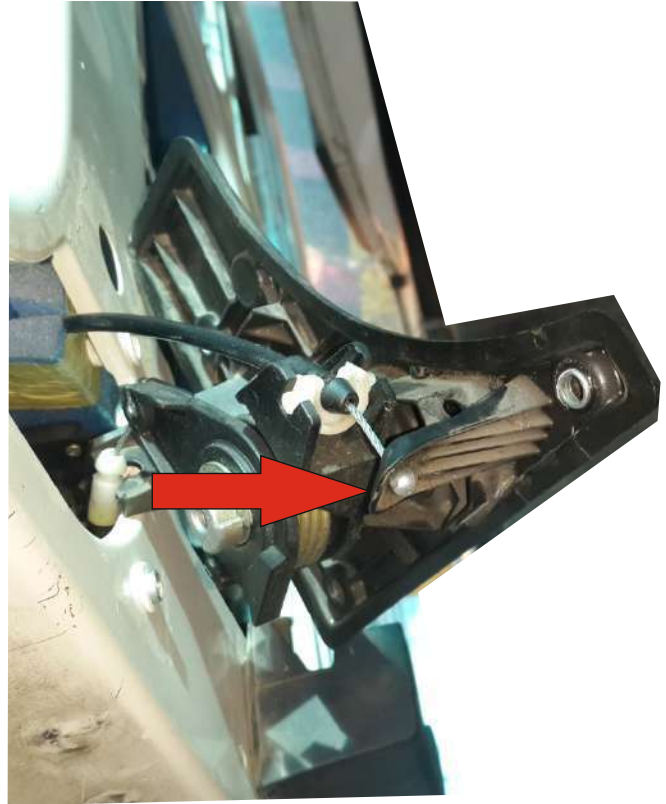




Cancel the lower latch

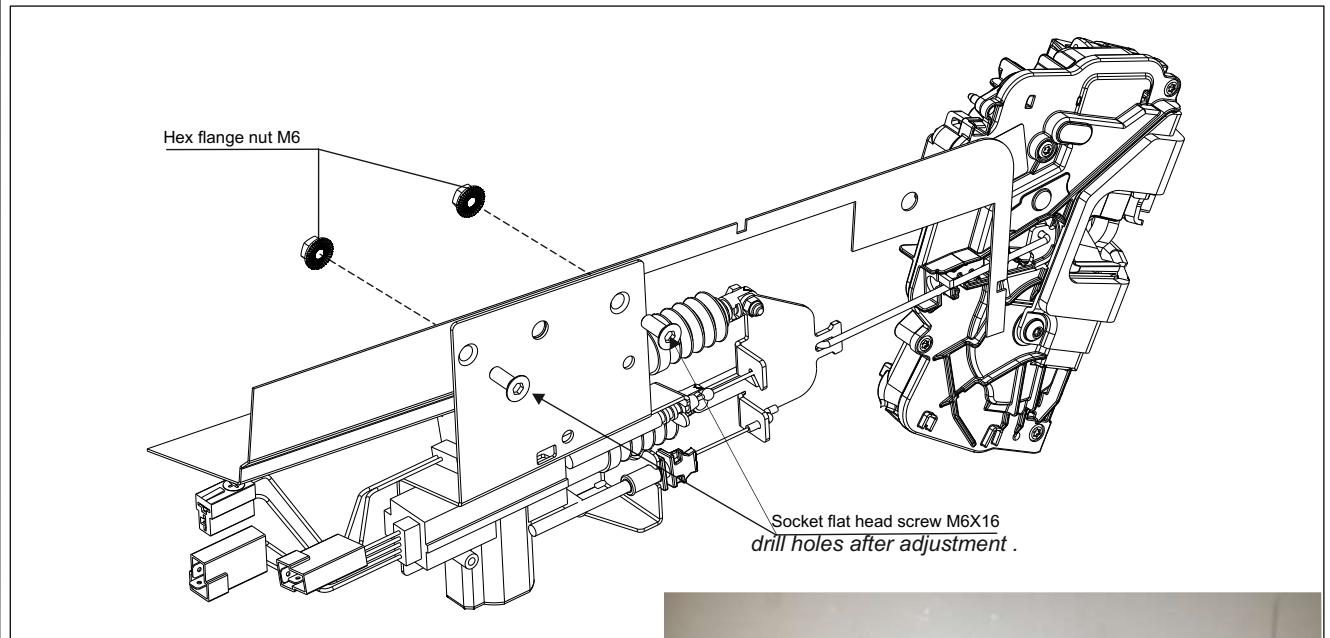
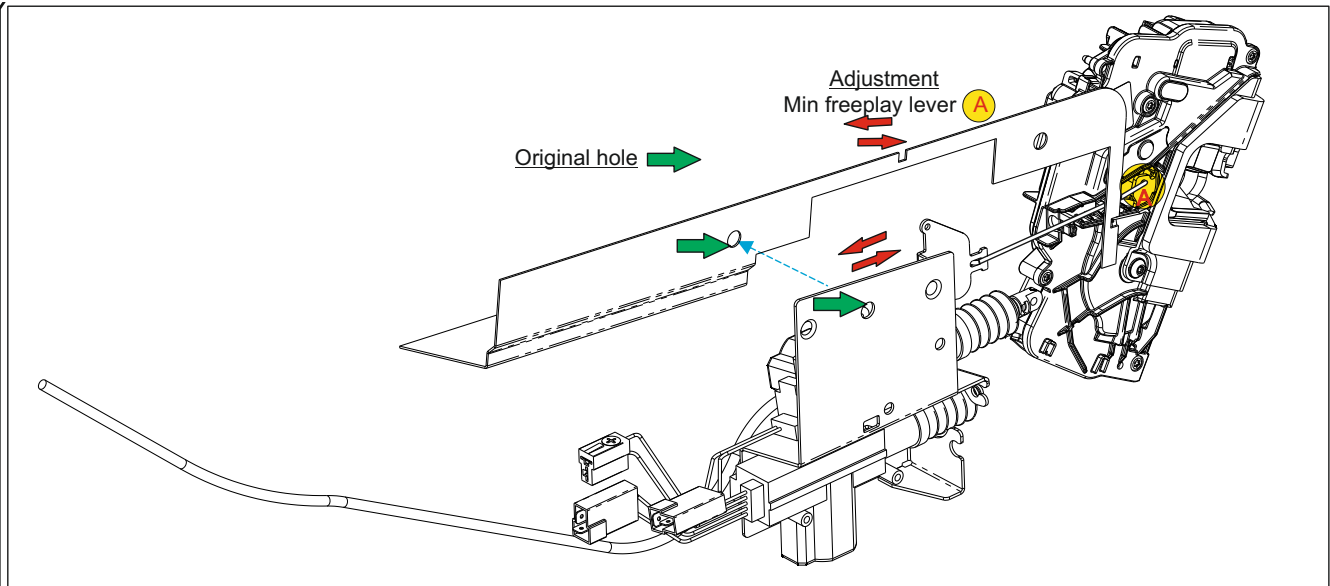


Internal Door handle

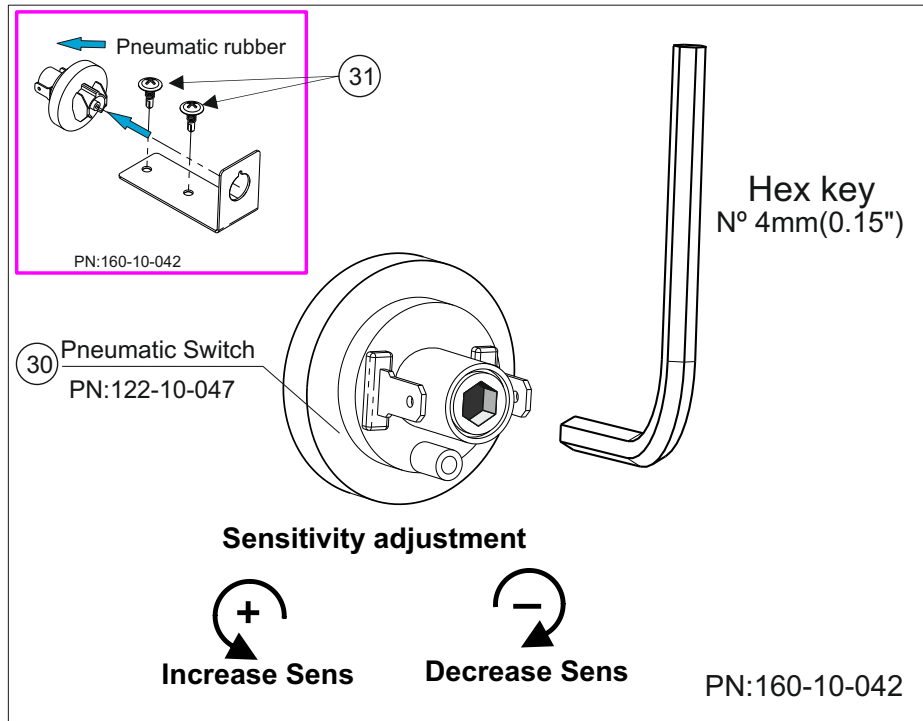


Cable strip 150

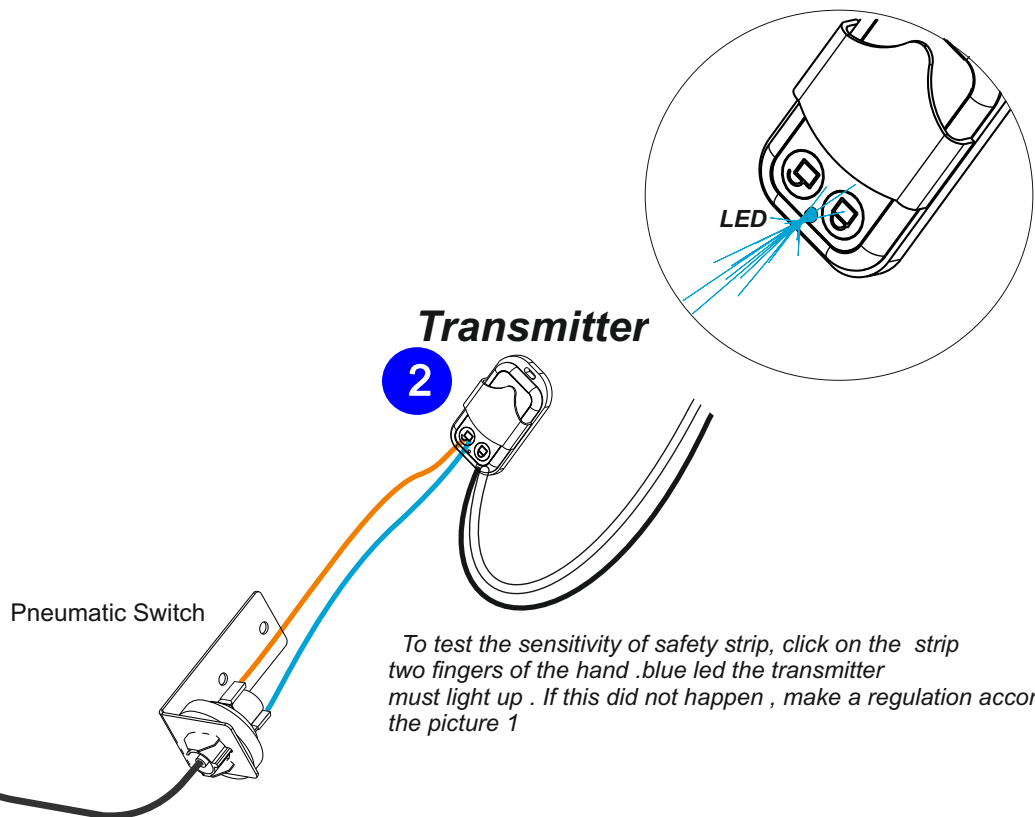
Drill 5-6mm(0.19-0.23") hole



Pressure Safety Switch



PICTURE 1



Replace or add new Transmitter (key) to the Remote Control Unit

1. Press and hold lock button (left knob).
2. Press the receiver programming button one time and release.

Delete: press and hold programming button about 10-20 seconds.

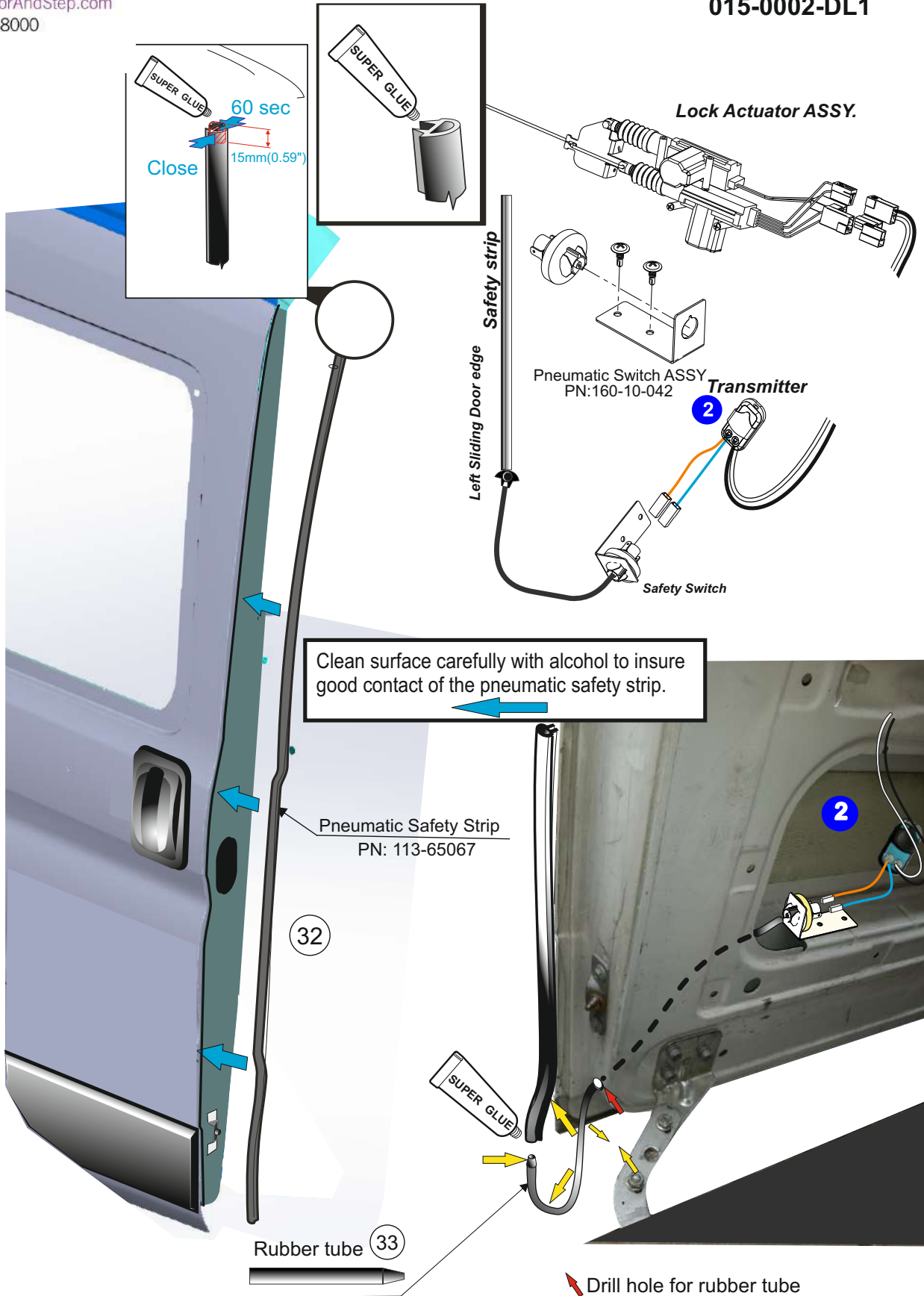
Lock Button

Programming Button

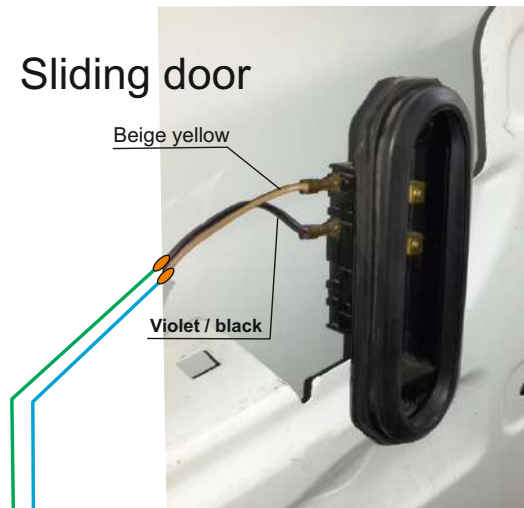


RAM ProMaster

015-0002-DL1

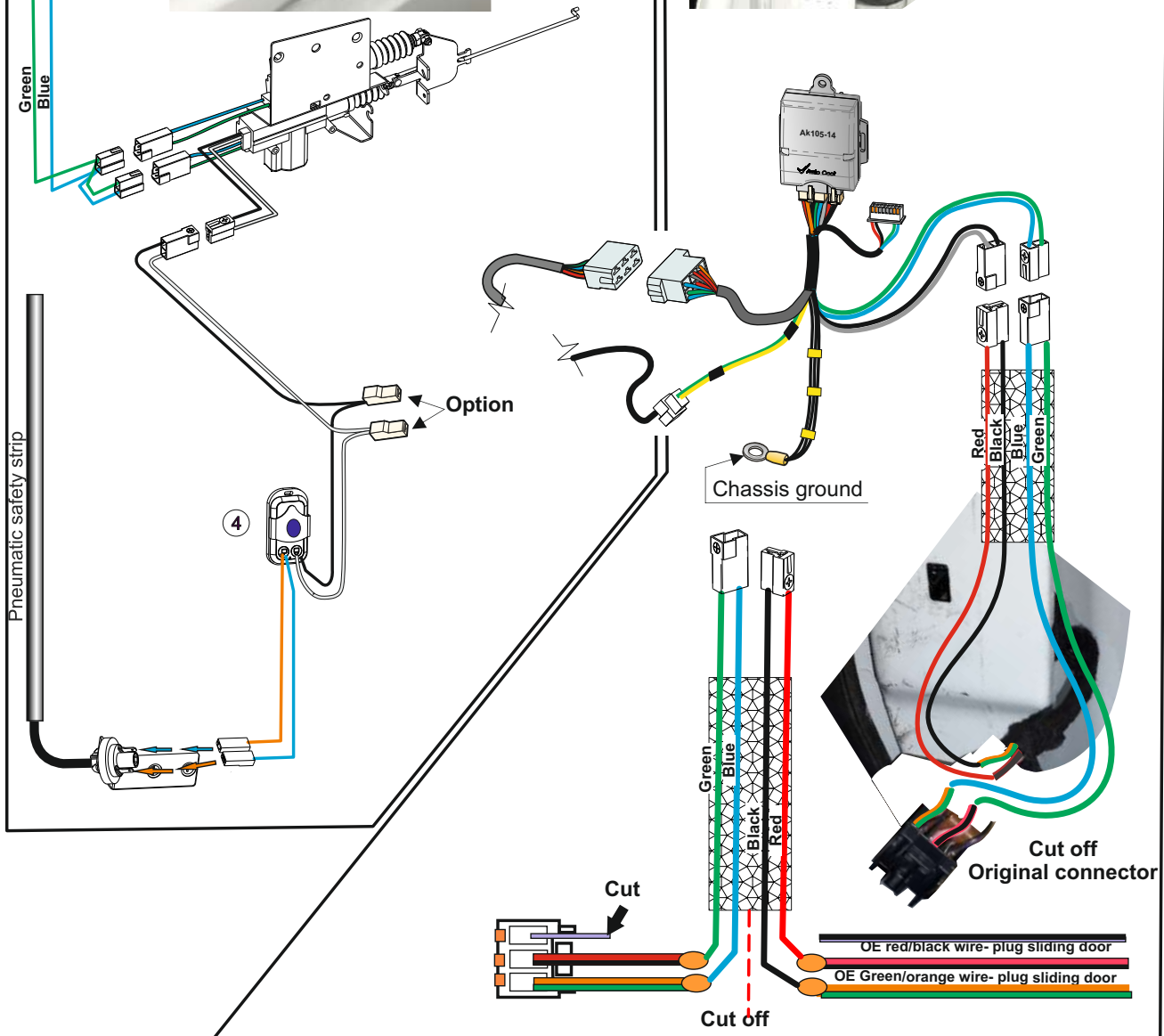


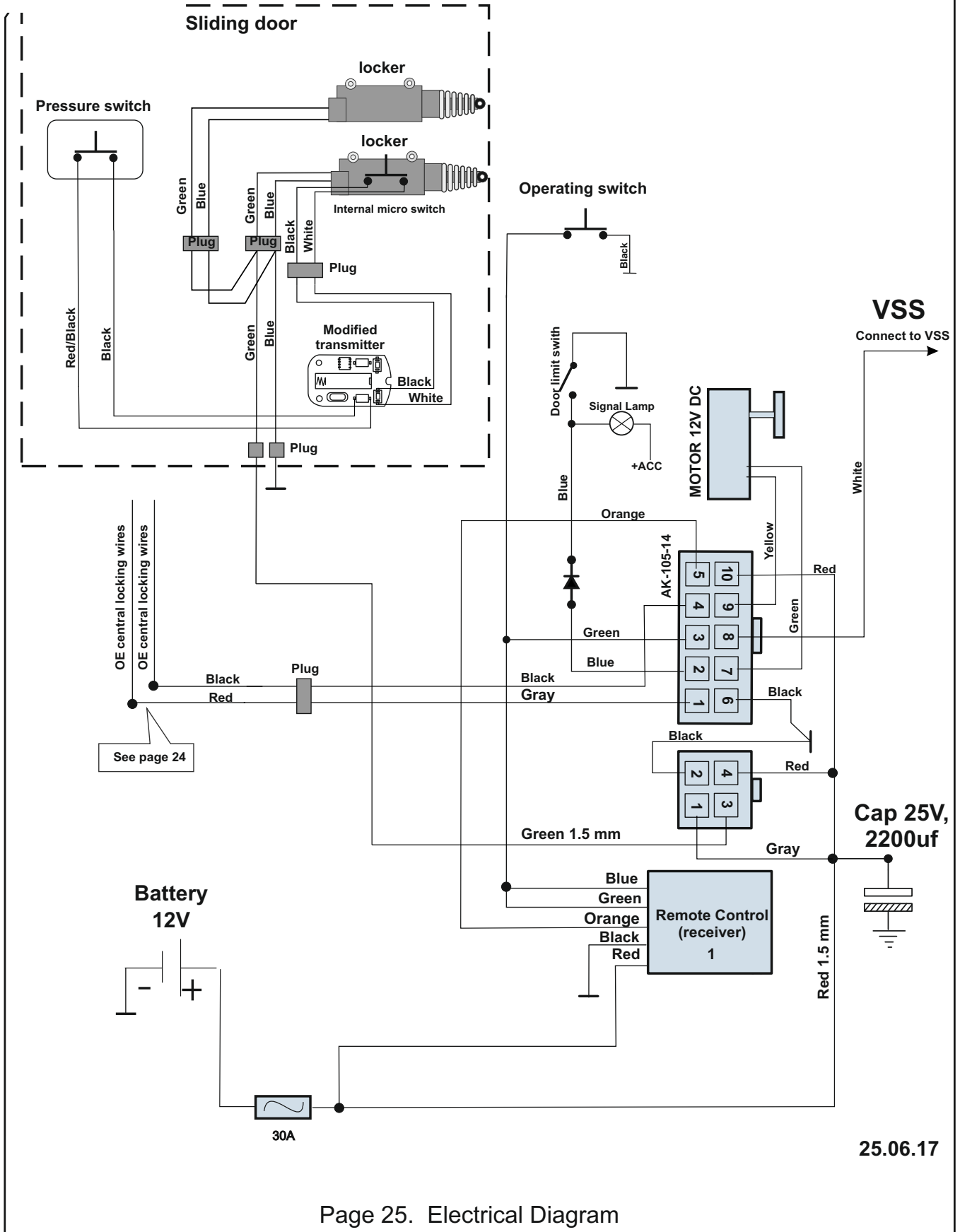
Sliding door



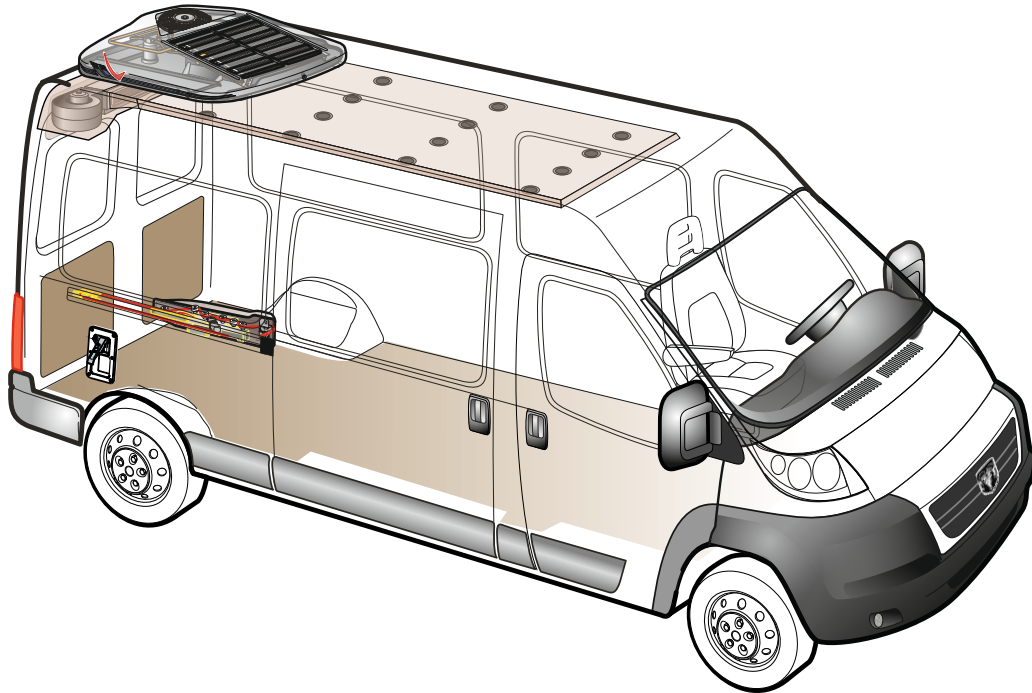
Disconnect

C-Pillar



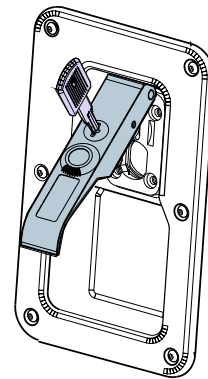


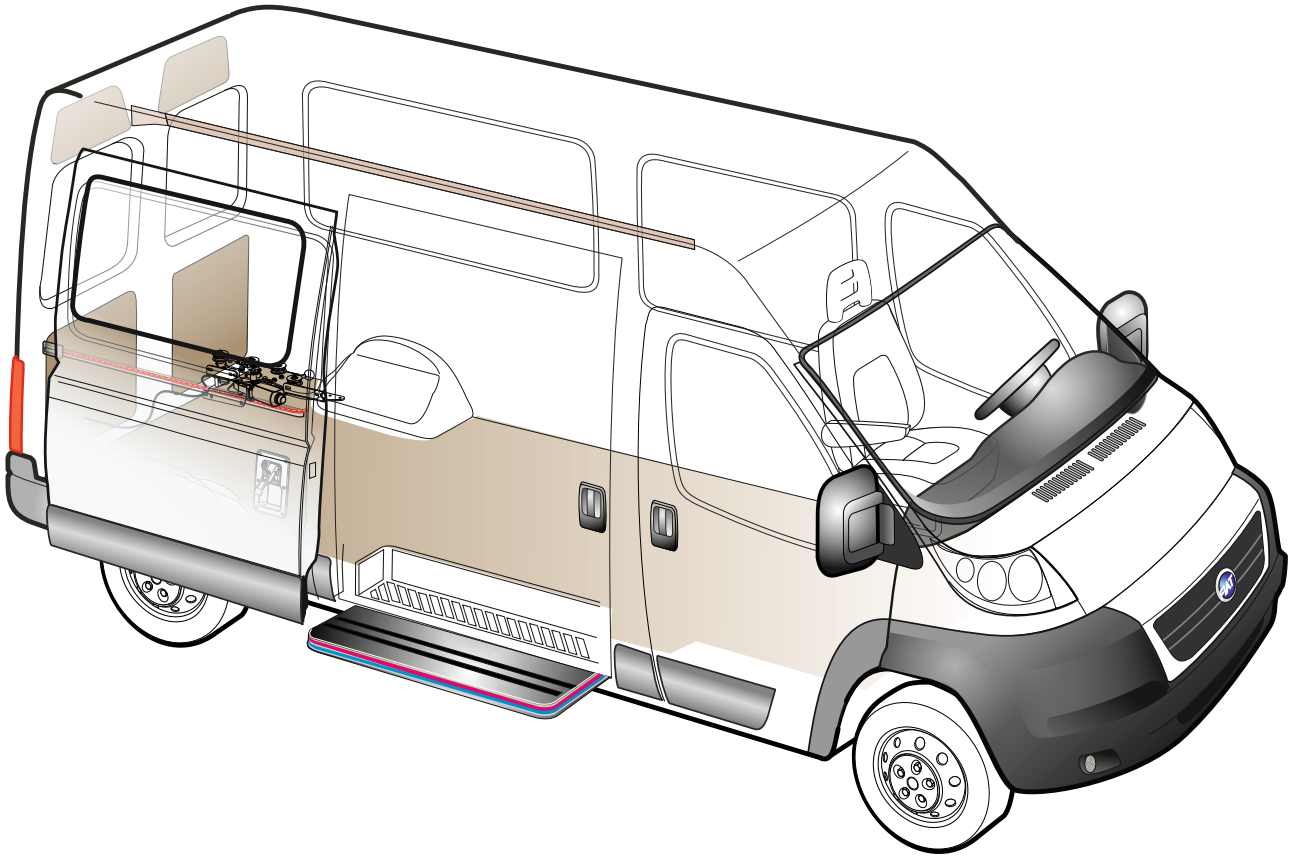
25.06.17



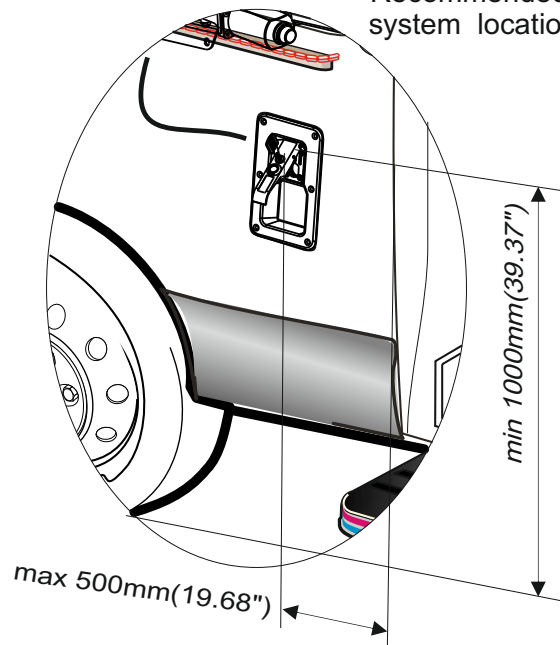
ASD
Automatic Sliding Door
External emergency
door opening kit

PN: 111-03-013



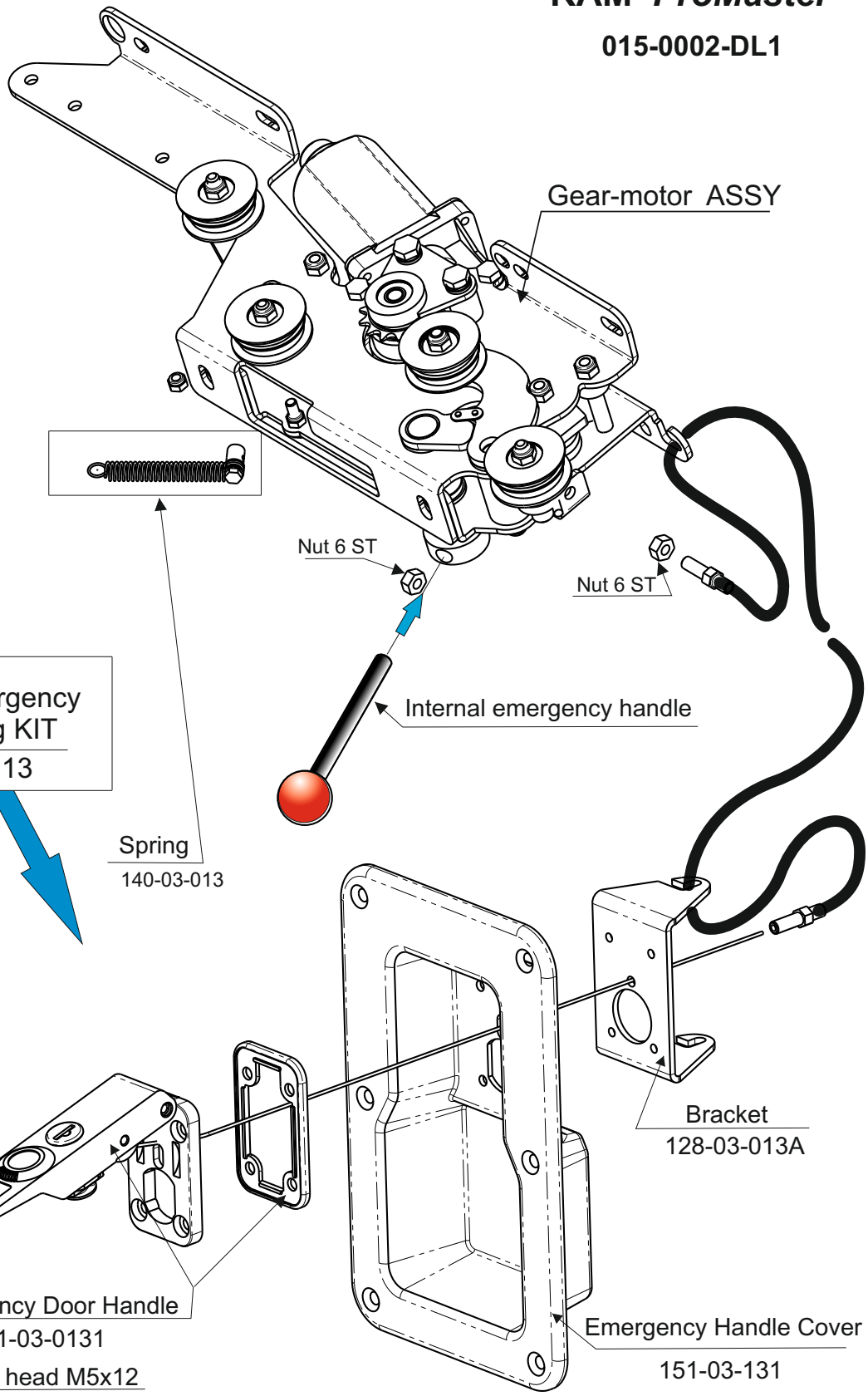


Recommended Emergency door opening system location



RAM ProMaster

015-0002-DL1



Gear-motor ASSY

Nut 6 ST

Nut 6 ST

Internal emergency handle

External emergency door opening KIT
PN: 111-03-013

Spring
140-03-013

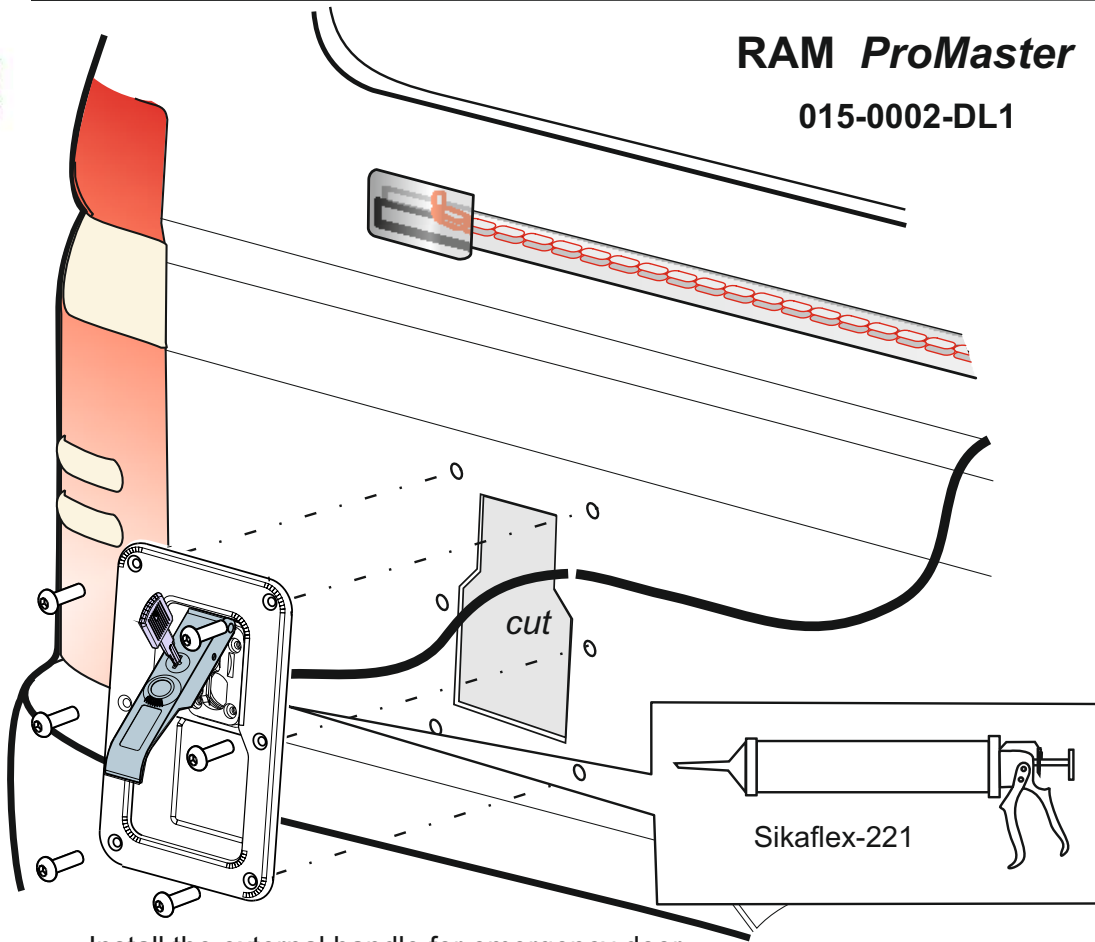
Bracket
128-03-013A

Emergency Door Handle
111-03-0131

Socket head M5x12

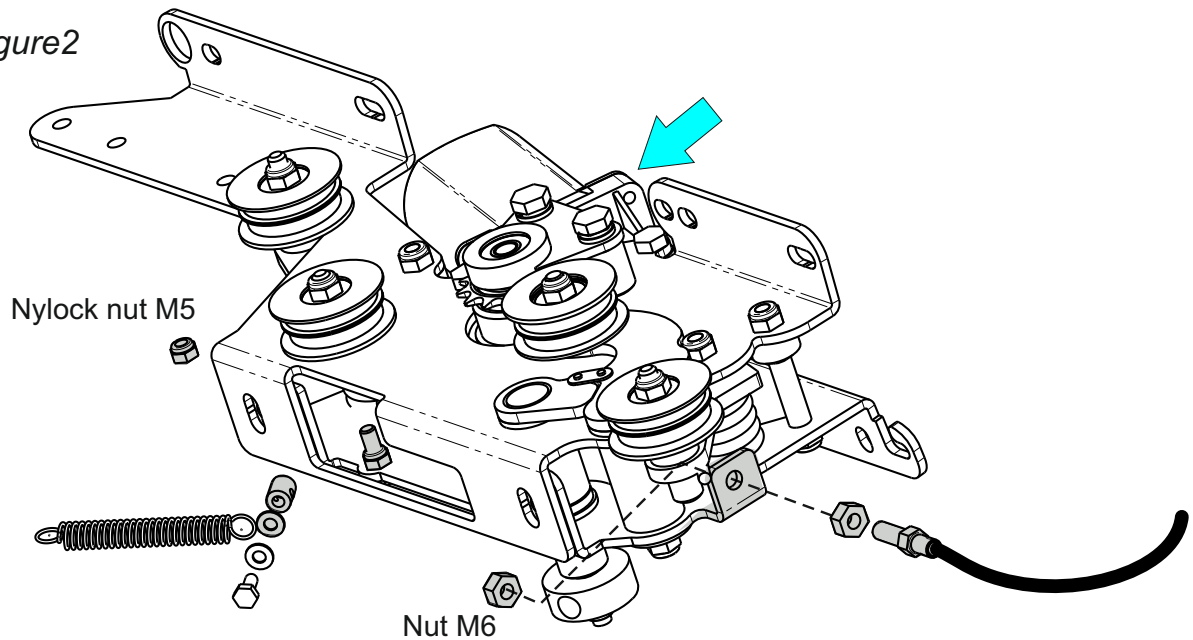
Emergency Handle Cover
151-03-131

Figure1

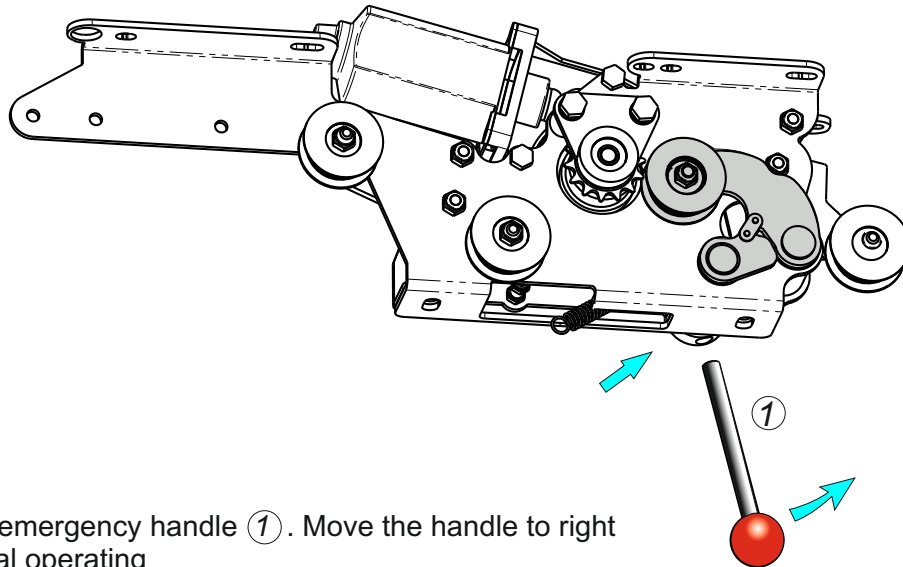


Install the external handle for emergency door

Figure2

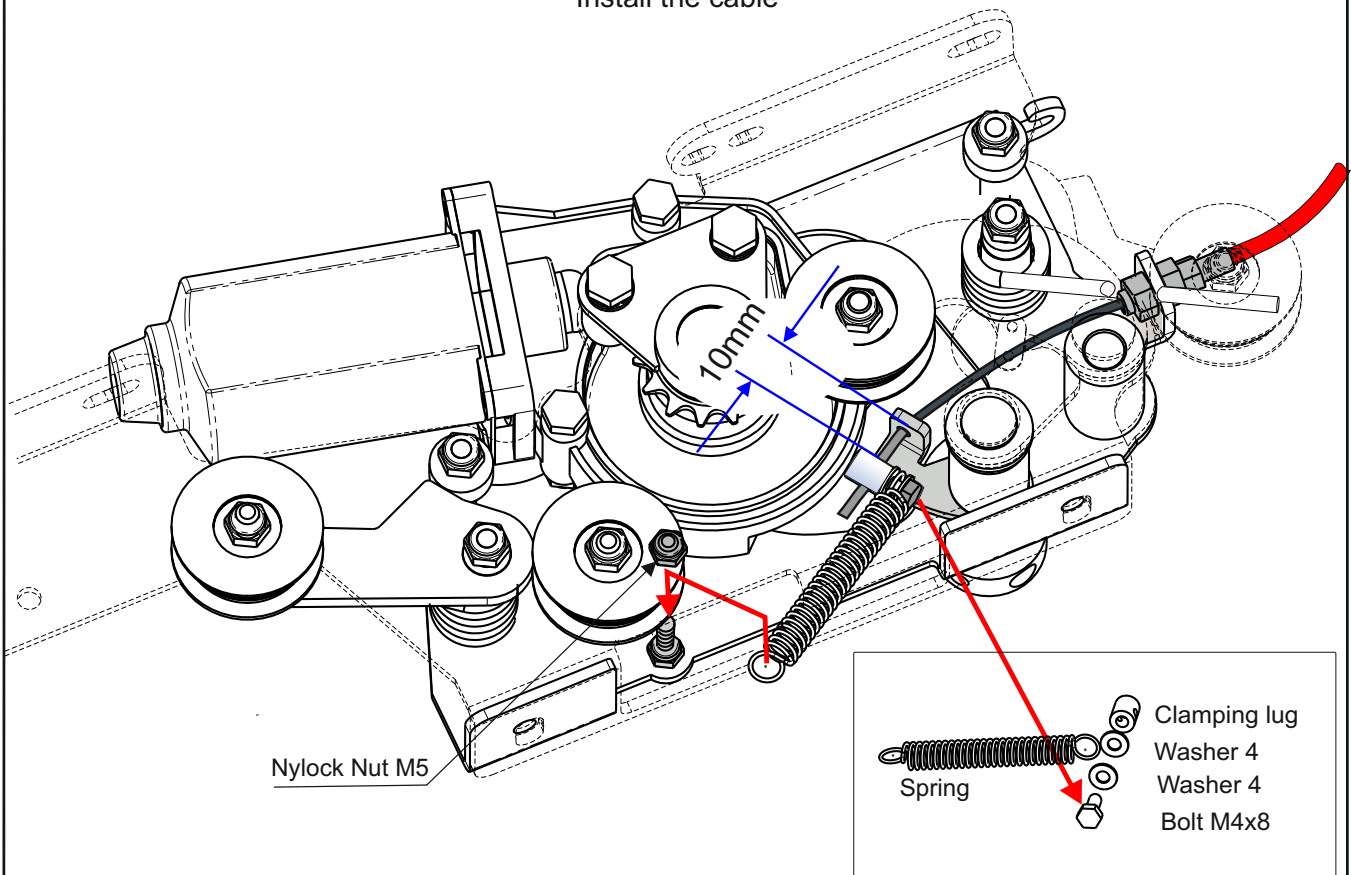


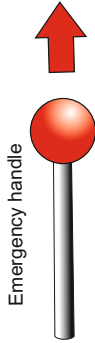
To install the cable:
Verify that the Internal emergency handle is on closed position.
Insert the cable into the hole (see figure 2) fasten nuts M6



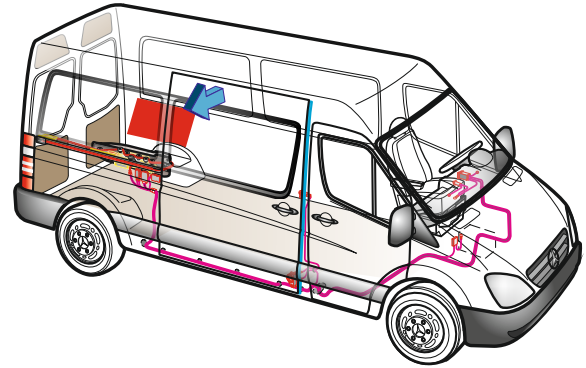
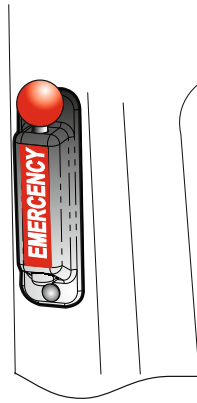
Insert the emergency handle ①. Move the handle to right for electrical operating

Install the cable

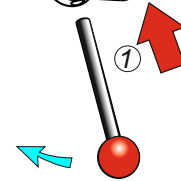
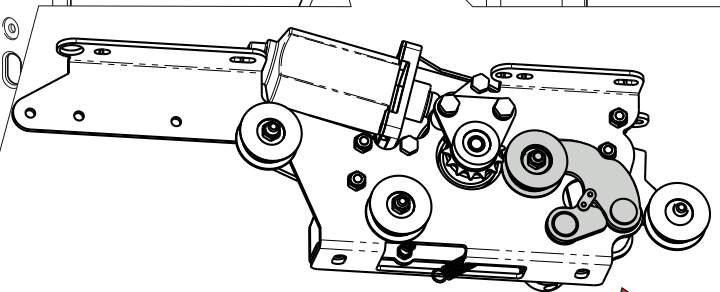
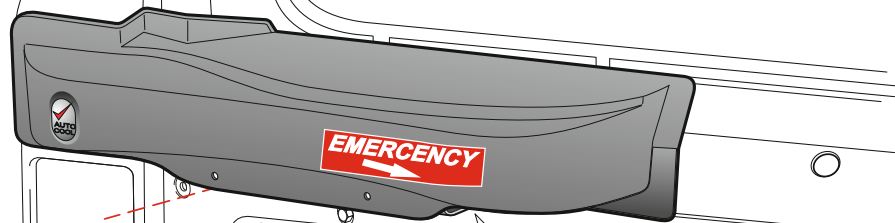




Internal emergency door kit
PN: 160-15-000

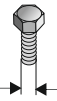



FRONT
←



Insert the emergency handle ①. Move the handle to left for manual operating

Recommended Torques
[newton meter]

	8.8	TORQUE [Nm]		TORQUE [Nm]
M5		6.031	M5	8
M6		10.3	M6	10
M8		25.4	M8	13

Automatic Sliding Door user's Manuel
Operation Instructions

- The door is operated by a switch located on the dashboard or remote control:
- To open**—press the switch shortly, door opens to end of its range.
- To close** - press the switch shortly, door closes and locks.
- To change its direction while in motion** - press the switch shortly - the door will stop; press the switch shortly again - the door will change direction.
- To control opening range** – Continuous pressure on the control switch will set the door in motion upon its release, the door will stop.
- Visual status indications** – When the vehicle's main ignition switch is on and the door is open, the indication light is visible.
- Audio status indicators** – **Independently of the vehicle's main switch** – the vehicle's buzzer is always functioning whenever the door is in closing motion.

Safety measures

The system includes **safety features** to protect the passengers.

- Closing** – When encountering an obstruction, the controller automatically reverses the door direction to open full way .
- In addition, a pneumatic switch is attached to the front side of door or B pillar, which upon sensing pressure performs the same function and retracts immediately.
- Opening** - When encountering an obstruction, the controller stops the door.
- While the vehicle is in motion:** the AAD will not be operational at speeds exceeding 5 km\h. If the door is open,the system close the door automaticaly and buzzer will operated.

Emergency facility

The system has inside and outside (optional) emergency releasing handle. Pulling one of them will result in disconnecting the ASD mechanism device and the door will function normally immediately.

Please note:

Original central lock system still work with ASD. It remains fully functioning. For open door mechanism first turn OFF central lock.

ASD: Basic Troubleshooting

1. Door does not function.
 - Check main fuse.
 - Check connections of power terminals to the control unit, motor and operating switch.
 - Check Control units
 - Check motor.
2. Door does not operate upon commencing the closing mode or when reaching the fully closed positions it reverses.
 - Check the safety pneumatic pressure tube; disconnect the plugs of pressure switch and close the door.
 - If the issue is not solved, try to regulate the sensitivity of the pressure switch.
 - Check safety switch.
 - Check control unit.
3. Door does not close completely.
 - Check voltage of battery, if low, start the engine.
4. Door does not open, although the electrical motor is engaged.
 - Check position of the locker unit, which annuls the OEM locking system of the door.
 - Check lock actuator (for DL model only).
5. Door does not automatically reverse when encountering an obstruction during the closing mode.
 - Check safety pneumatic switch.
 - Check pressure tube & switch.
 - Check control unit.
 - Check remote device (inside sliding door for DL model only).
6. Noise from the door's chain during opening and or closing modes.
 - Check installation and alignment of all wheel supports, front and rear, as well as the gear motor support.
 - Very loose chain may also jump over and cause damage to the sprocket's main motor.
 - Check chain tension and if needed shorten it by removing one or two "links".
7. Remote control unit does not function.
 - Check connection of power terminals.
 - Check battery of the key unit transmitter.

It issue still persist replace remote control receiver with two transmitters
8. If equipped with VSS, the door operates although the vehicle is in motion over 5Km/h.
 - Check connections to VSS.
 - Check control unit.
9. Buzzer does not operate during the closing mode.
 - Check control unit.