

# purecold

## INSPIRATION 2 LOW PROFILE

(2CS7MA1-LH)

Self-Contained, Medium Temperature  
Slide-Out Bottom Mount  
Open-Air Low Profile Merchandiser



Case Length	48"	72"	96"
Case Height	54"	54"	54"
Case Depth	33"	33"	33"
Total Display Area (ft <sup>2</sup> )	12.6	18.9	25.2
Refrigerated Volume (ft <sup>3</sup> )	22.2	44.4	66.6
Shelf Depth <i>various</i>	14"-18"	14"-18"	14"-18"

### INSPIRATION2 Energy Data

*\*Standard*

THR in BTU/HR instantaneous	6,554	9,831	13,108
THR in BTU/HR average	4,915	7,373	9,831
Daily Energy Use (Kwh)	17.55	21.68	34.10

### INSPIRATION2 Power Information

208V-1P  $\left(\frac{4}{nec}\right)$  4 Wire (2-hots - 1 neutral - 1 ground)

Electrical Data (115V 60Hz)	Amps	Amps	Amps
Case Load	0.5	1.0	1.0
Electrical Data (208V 60Hz)			
Condensing Unit	4.5	6.0	8.5
MOC (per phase) Amps	10	10	15

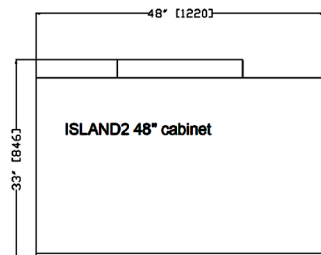
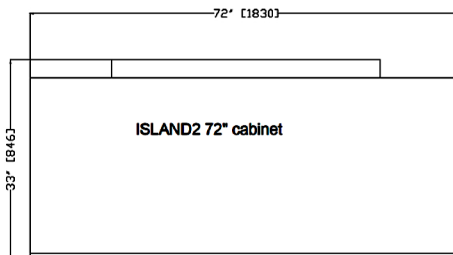
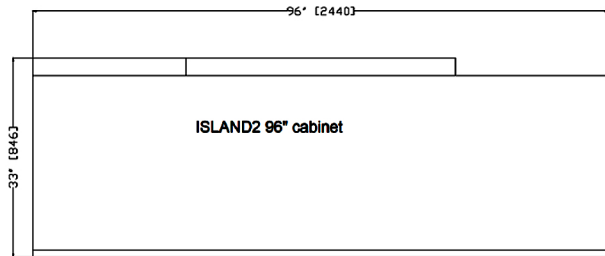
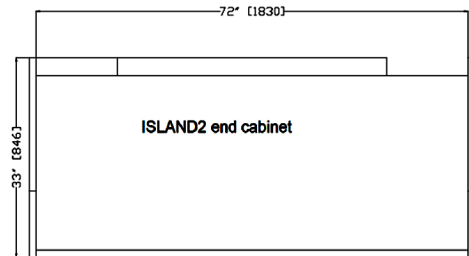
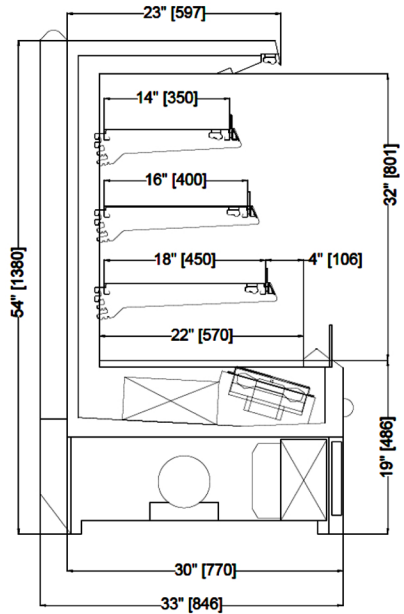
Electrical Connections - Bottom Right Hand Side

### features

- No drains, no pipework. plug and play!
- Low energy and heat rejection values
- Fixtures have similar pack-out as remote application
- Recessed wheels and leveling bolts
- Self-evaporative drain pan
- Condensing unit on pull out tray
- Single electrical connection (NEMA Twist Lock)
- Medium Temperature Grab & Go Champion
- Fits through 38" Standard Opening
- 4 foot | 6 foot | 8 foot Options

### standard

Refrigerant: R448a  
Expansion Device: TEV  
Controller: Carel  
Lighting: LED Mullion Lighting  
Shelving: 14"-16"-18"  
Ticket Rail: 1 1/4"



Conforming to UL471 & NSF7  
DOE 2017 Compliant



www.prohvacr.com