

HOCS

Cabinet Type

Horizontal Open Chilled Self Contained

Model Designation

HOCS 8YS4MC1

Product Type

Chilled

Maximum Design Ambient

75°F 55%RH

Case Length

4ft x 4ft
(1220mm)

Physical Data

TDA (Total Display Area) ft²

8.75

Refrigerated Volume (V_r) ft³

4.98

Shelf Depth *nominal* (in)

N/A

Electrical Data (115v 60Hz)

Amps

Case Load

8.3

MOCP (per phase) Amps

15

Connection Type

NEMA 15-5

Energy Data

Total Heat Rejection THR (BTU/hr) *instantaneous*

1775

Total Heat Rejection THR (BTU/hr) *average*

1000

Nett Environmental Cooling Effect (BTU/hr)

800

Daily Energy Use (kWh)

7.05

Miscellaneous Data

Electrical Connections

Bottom

Number Refrigeration Systems

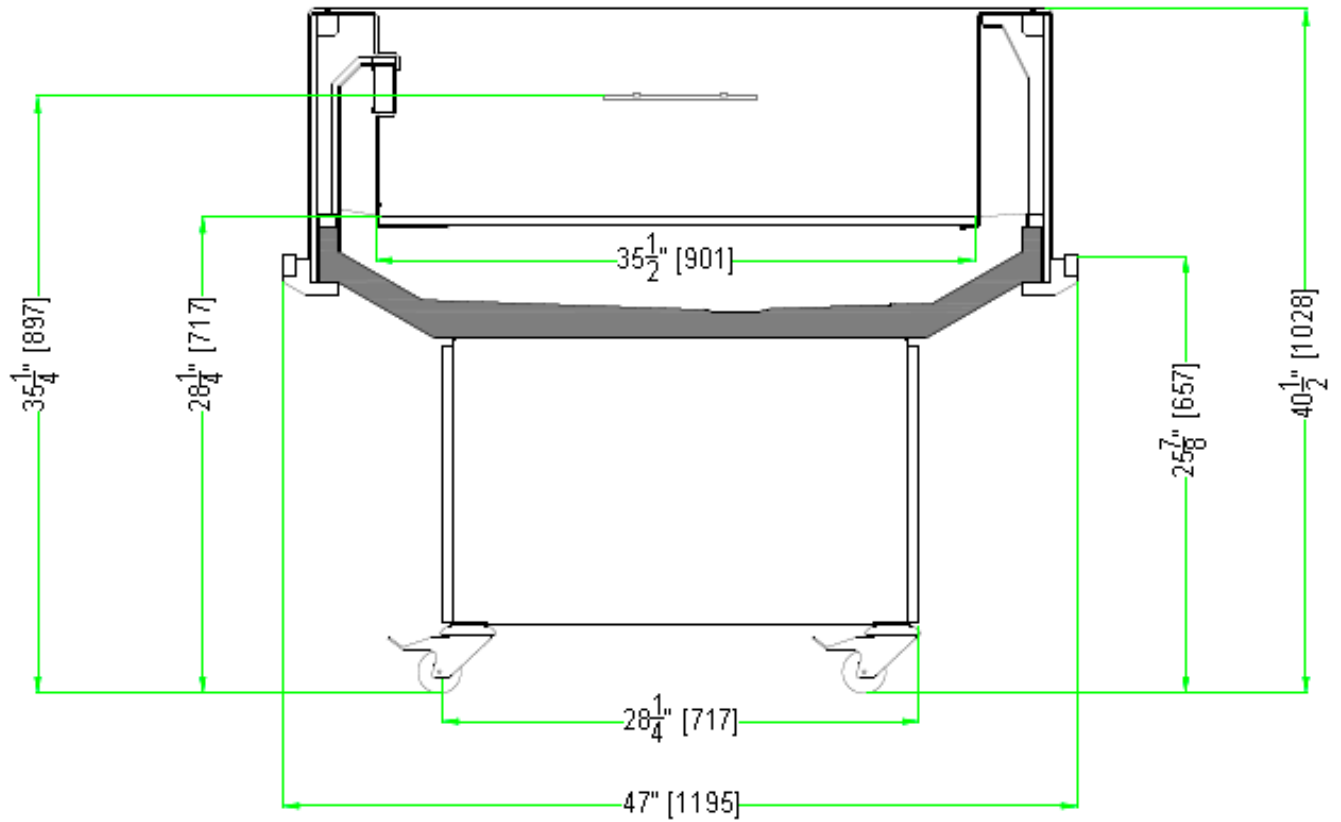
1

Refrigerant Charge (R290) per system (g)

150

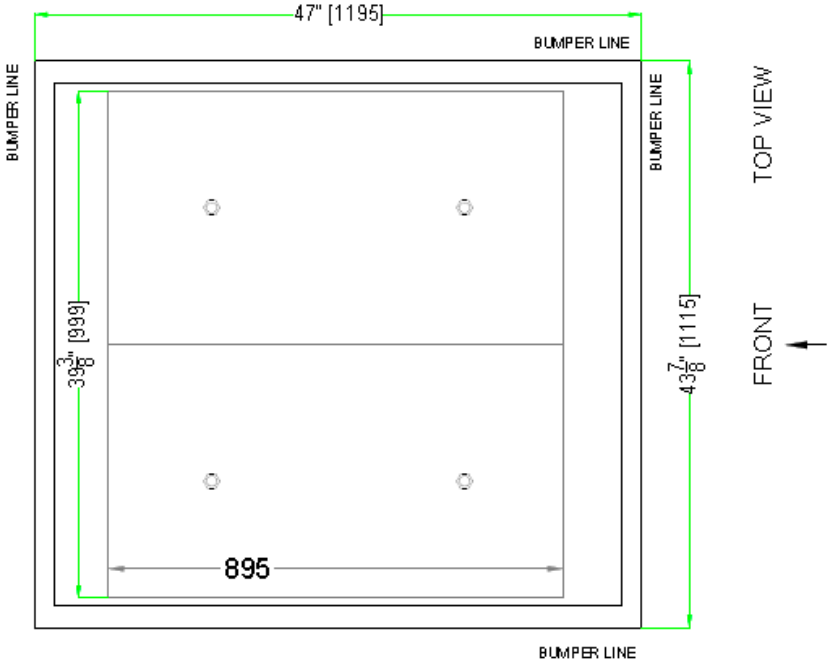
HOCS

PROFILE DRAWING



HOCS

PLAN DRAWING



3D View

