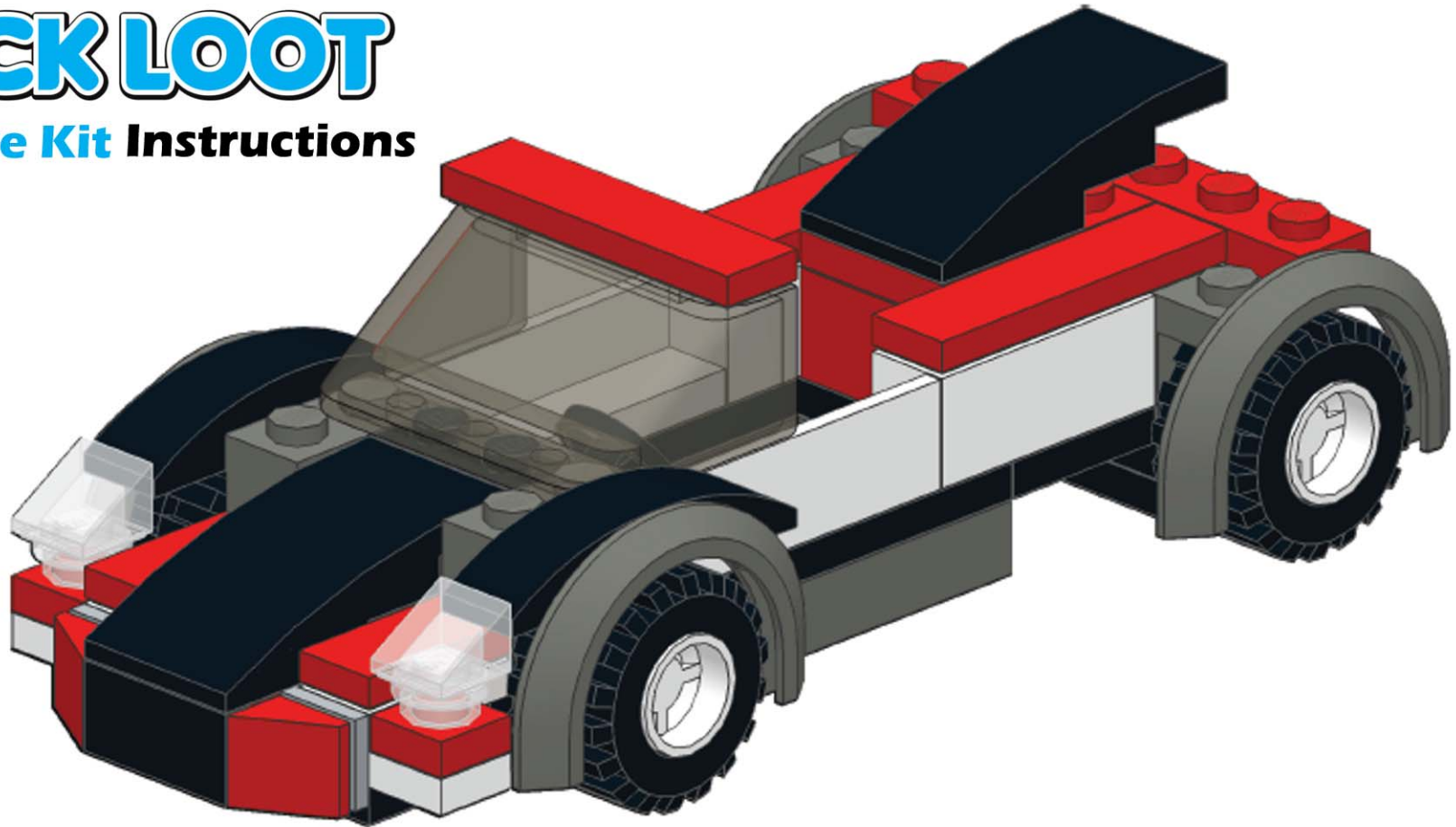
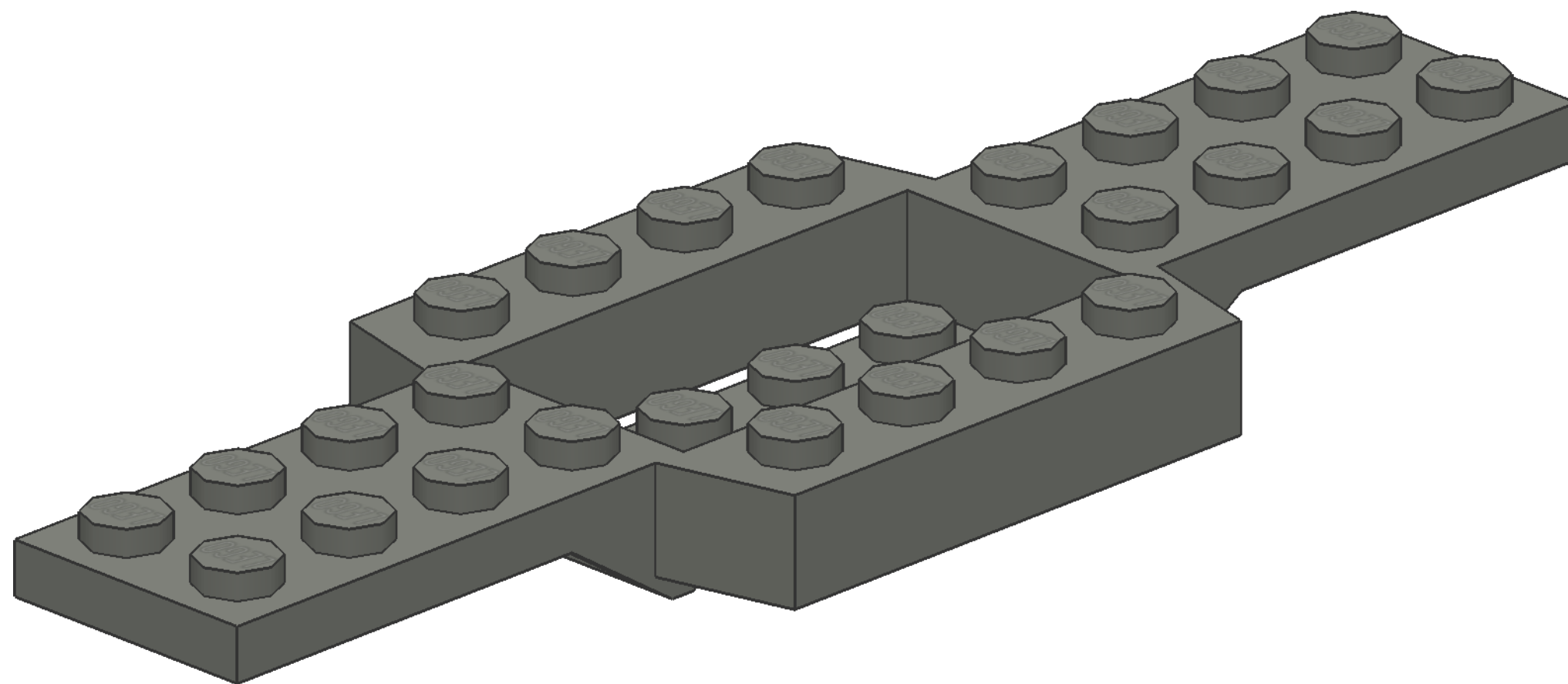




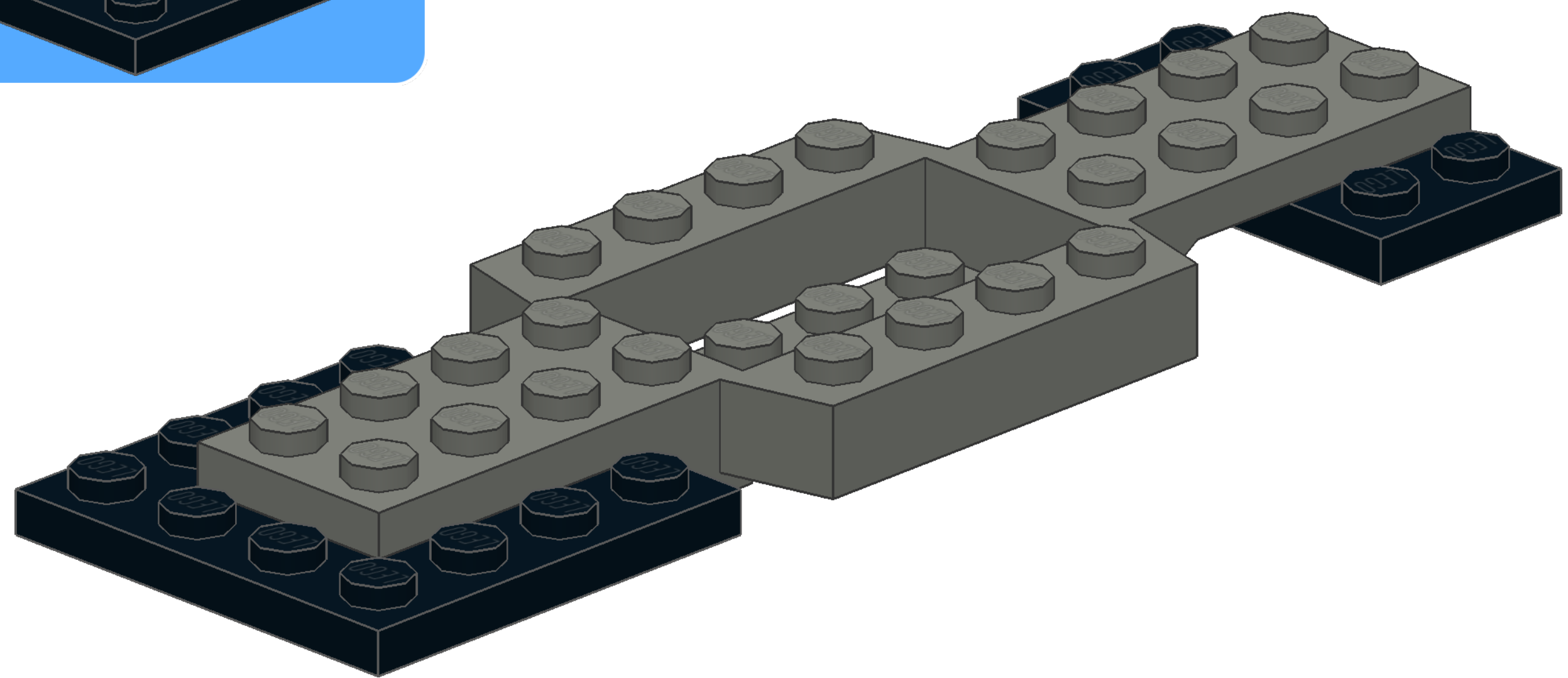
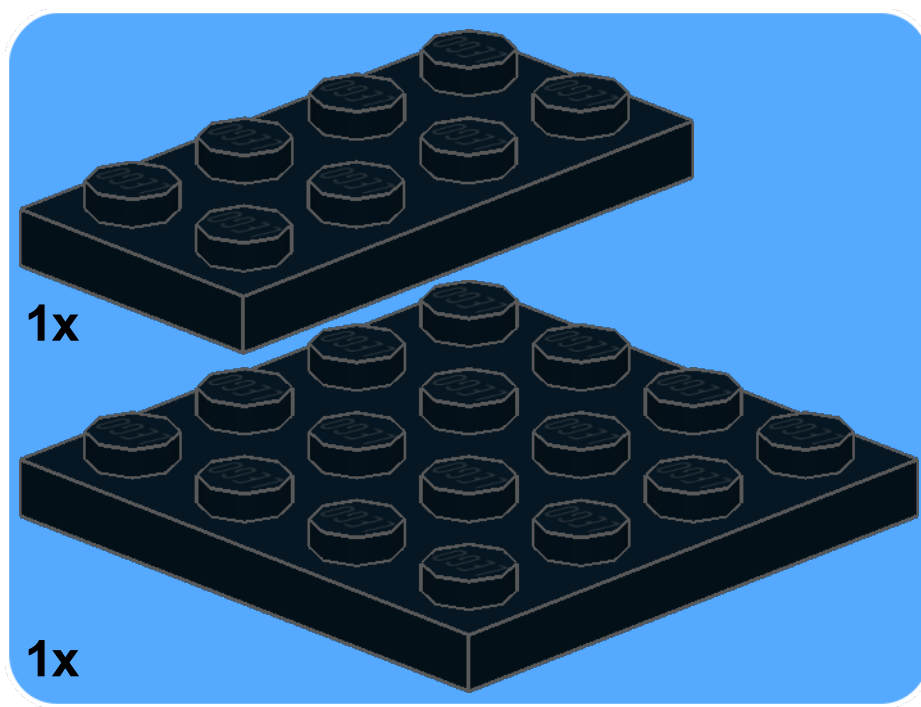
# BRICK LOOT

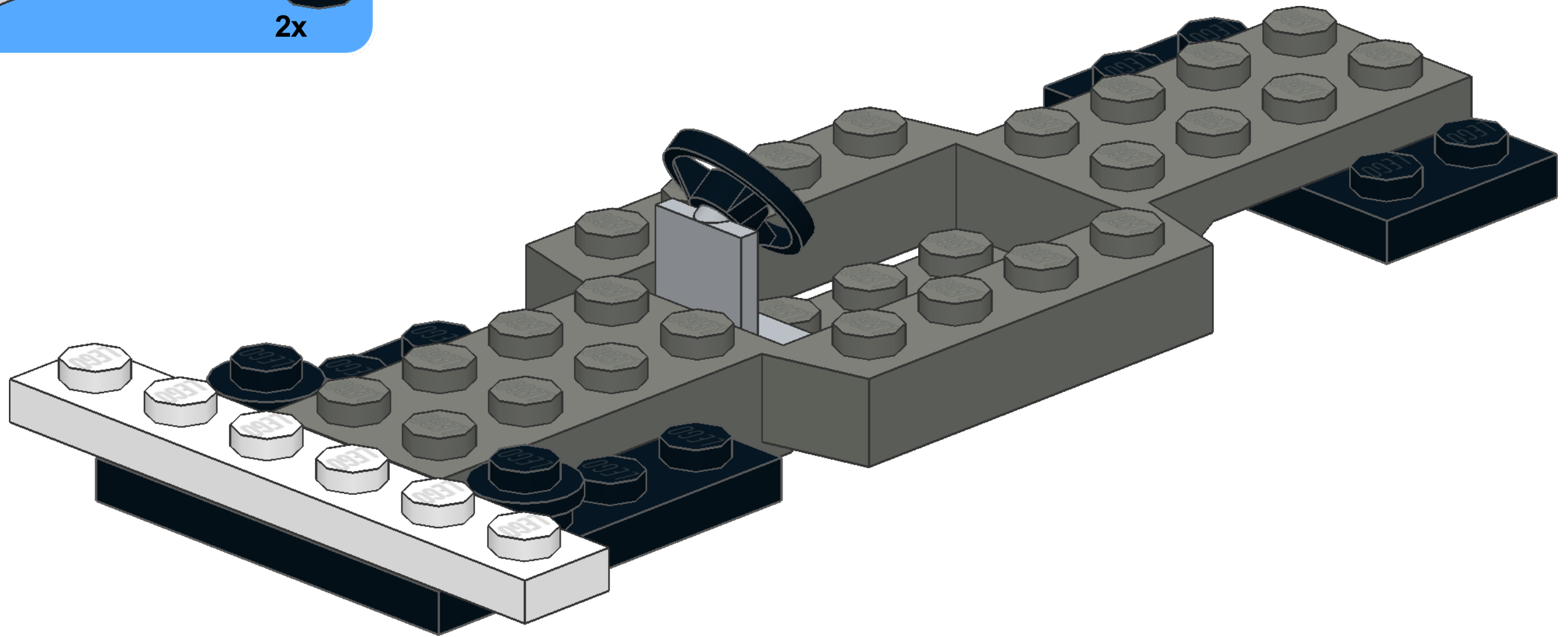
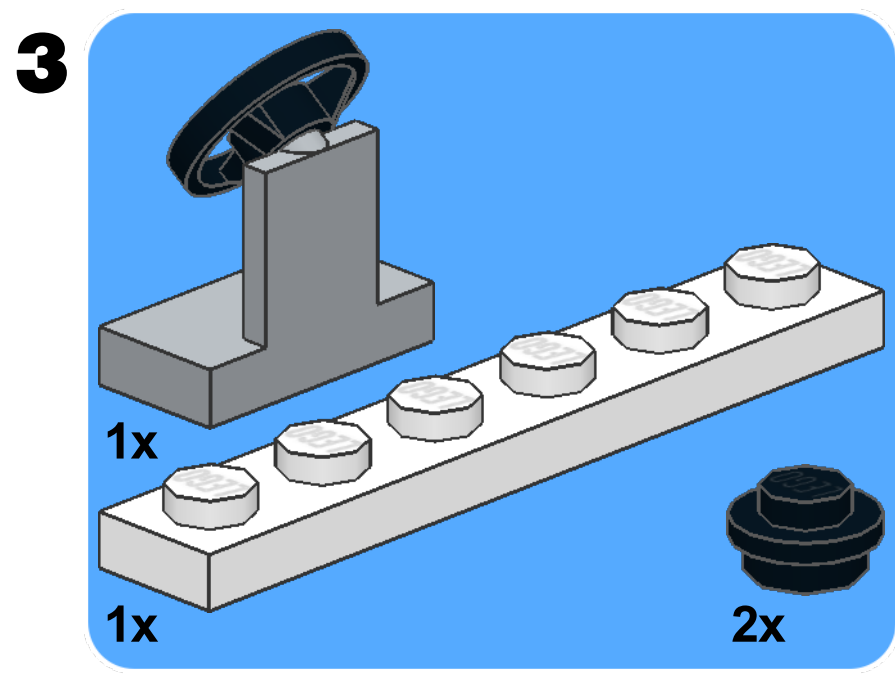
Exclusive Kit Instructions





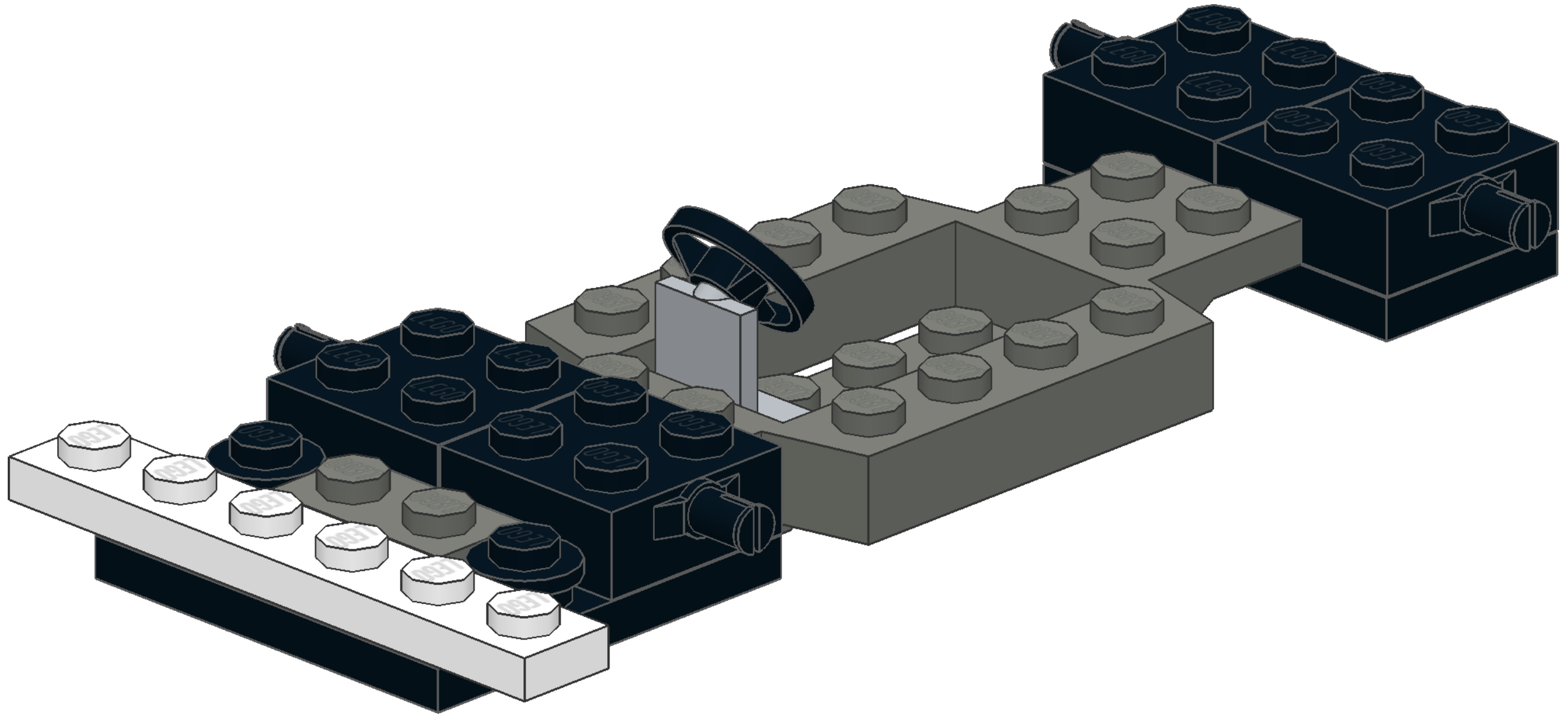
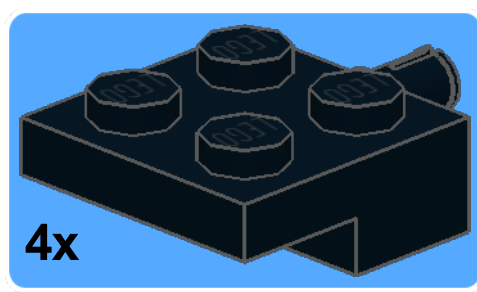
2







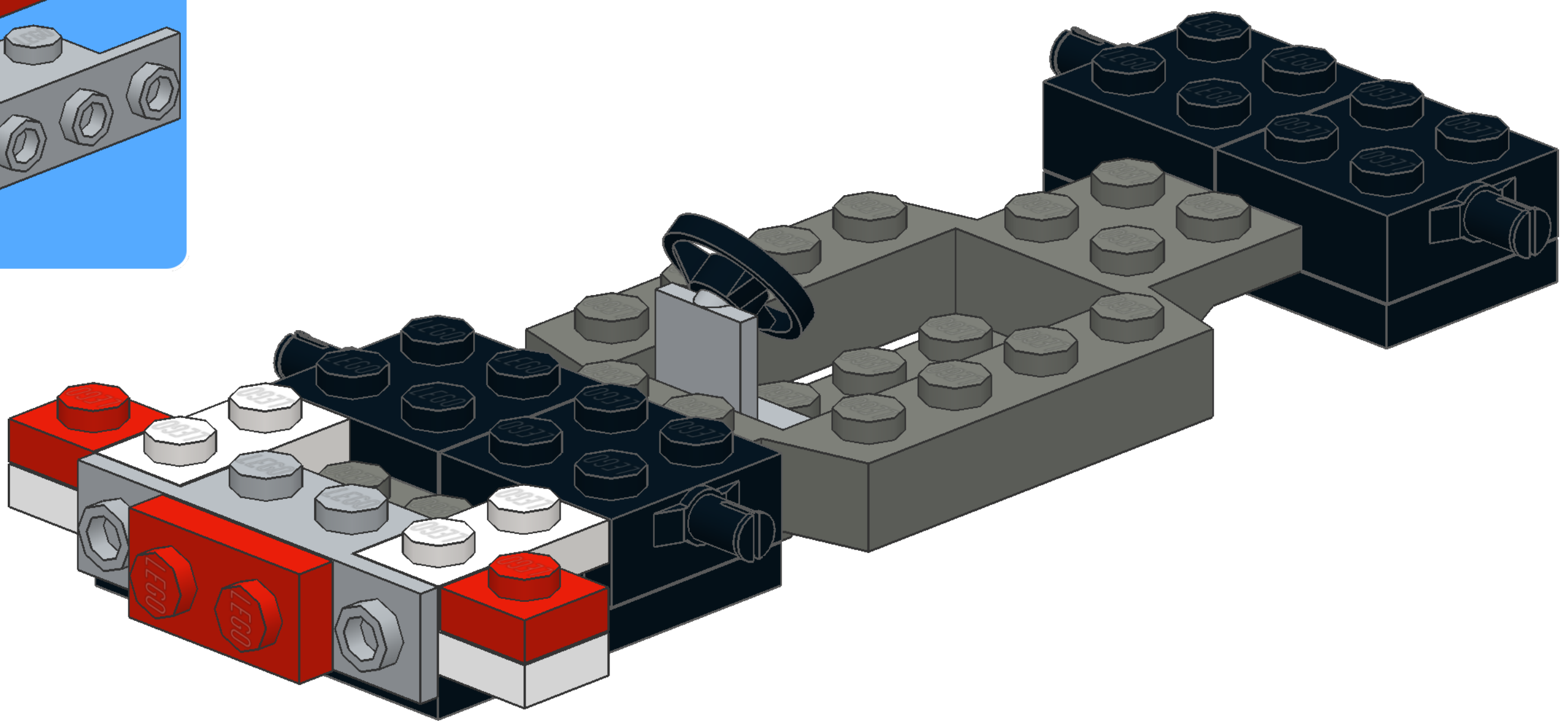
4



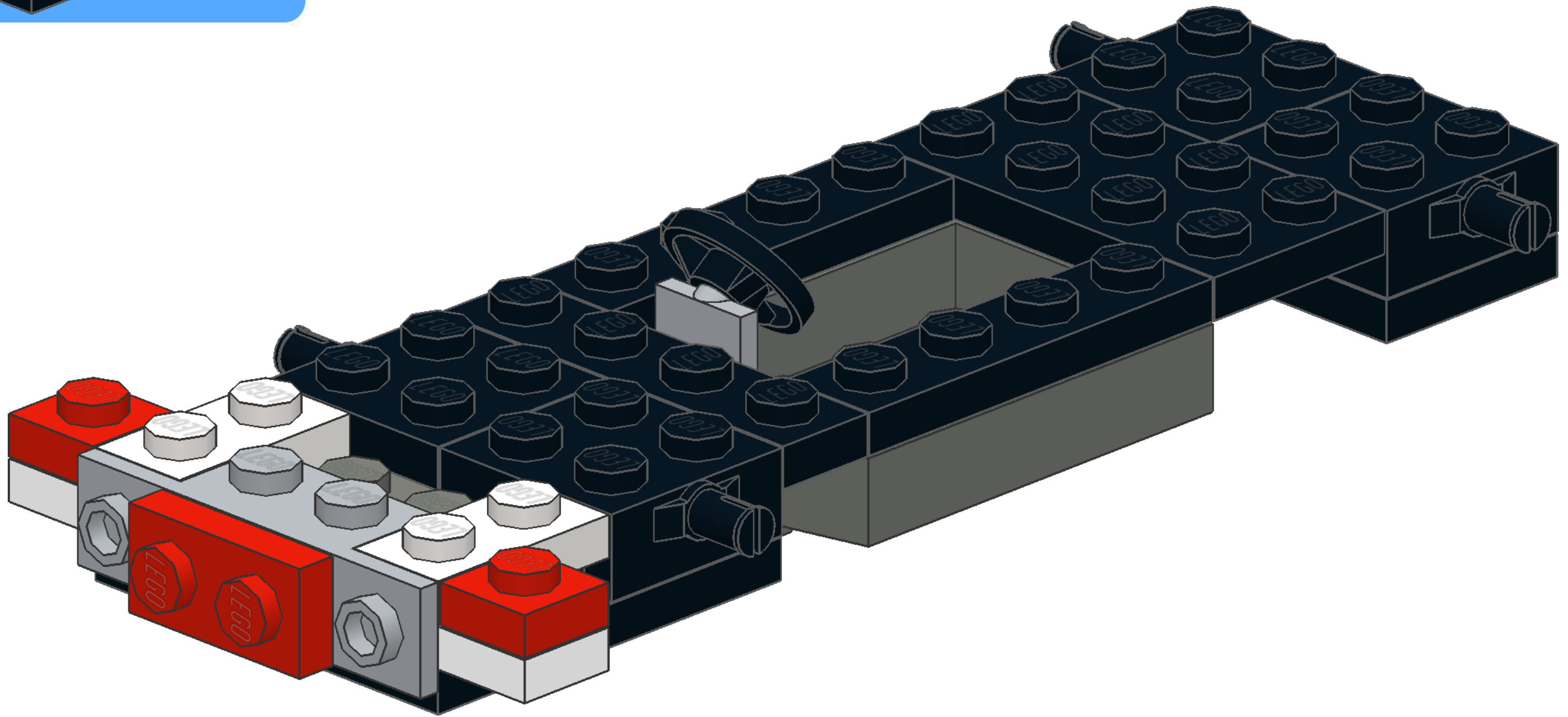
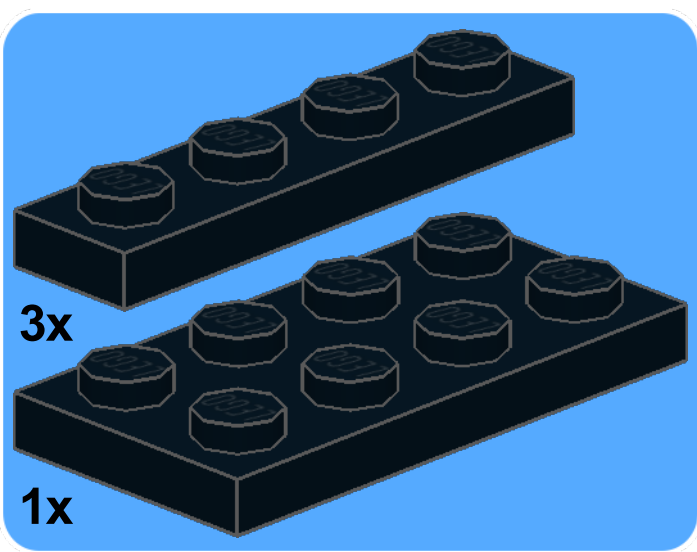
5

2x  
2x  
1x  
1x

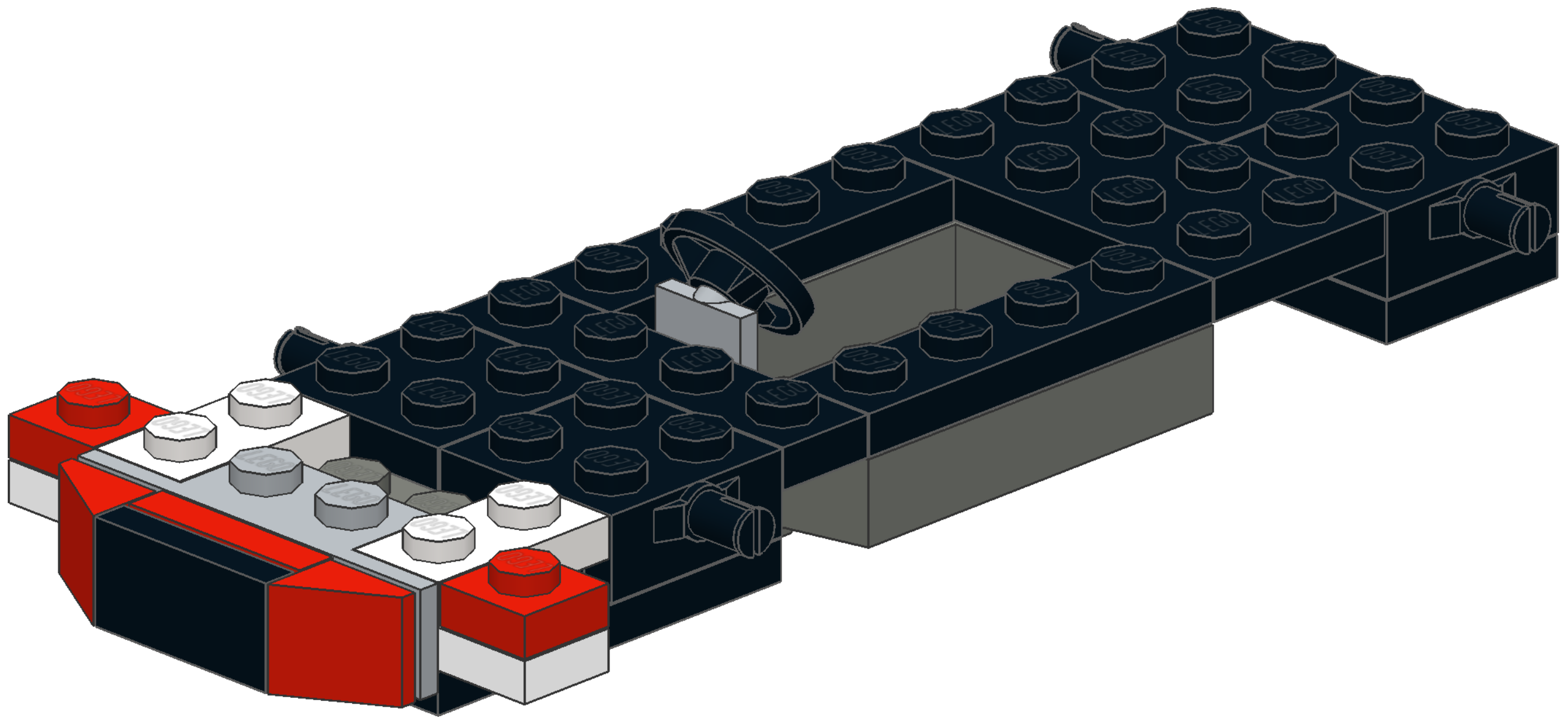
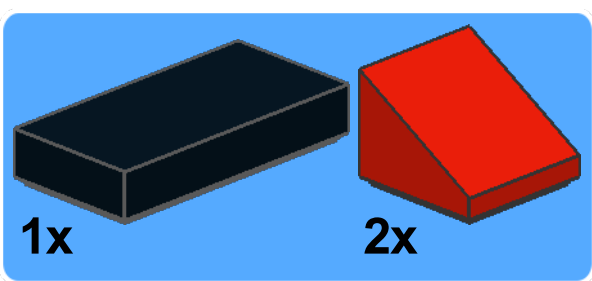
This inset box lists the parts required for step 5: two white 1x2 Technic bricks with two grey pins on top; two red 1x2 Technic bricks with two red pins on top; one grey 1x6 Technic axle with four grey pins on top and four grey bushings on the bottom; and one red 1x2 Technic brick with one red pin on top.



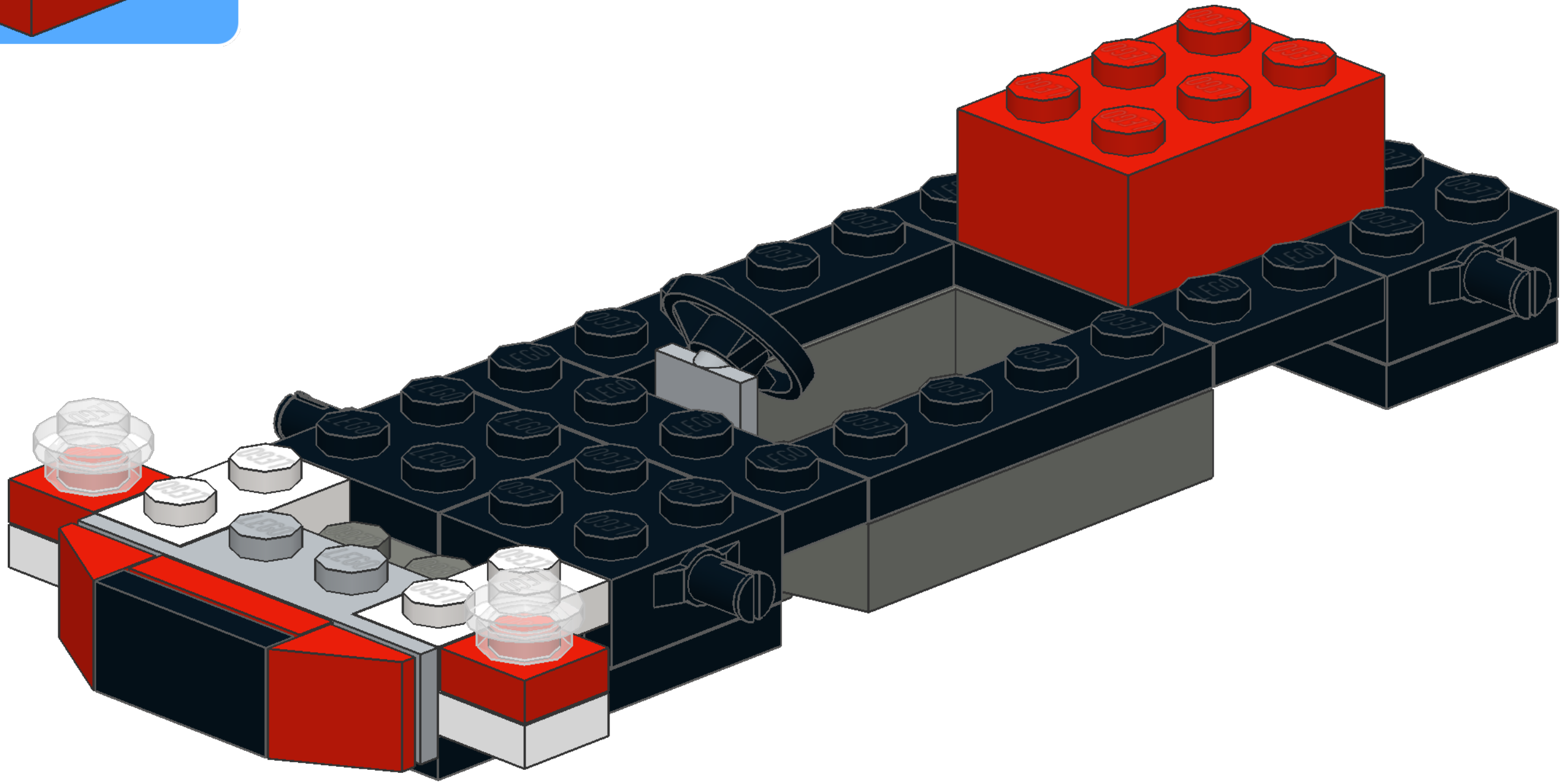
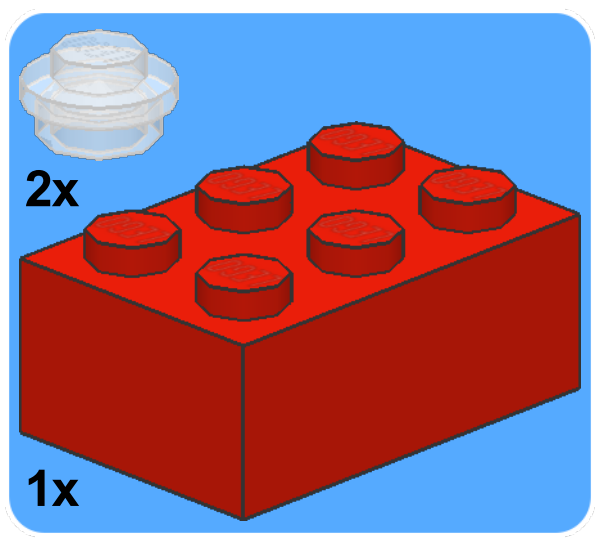
6



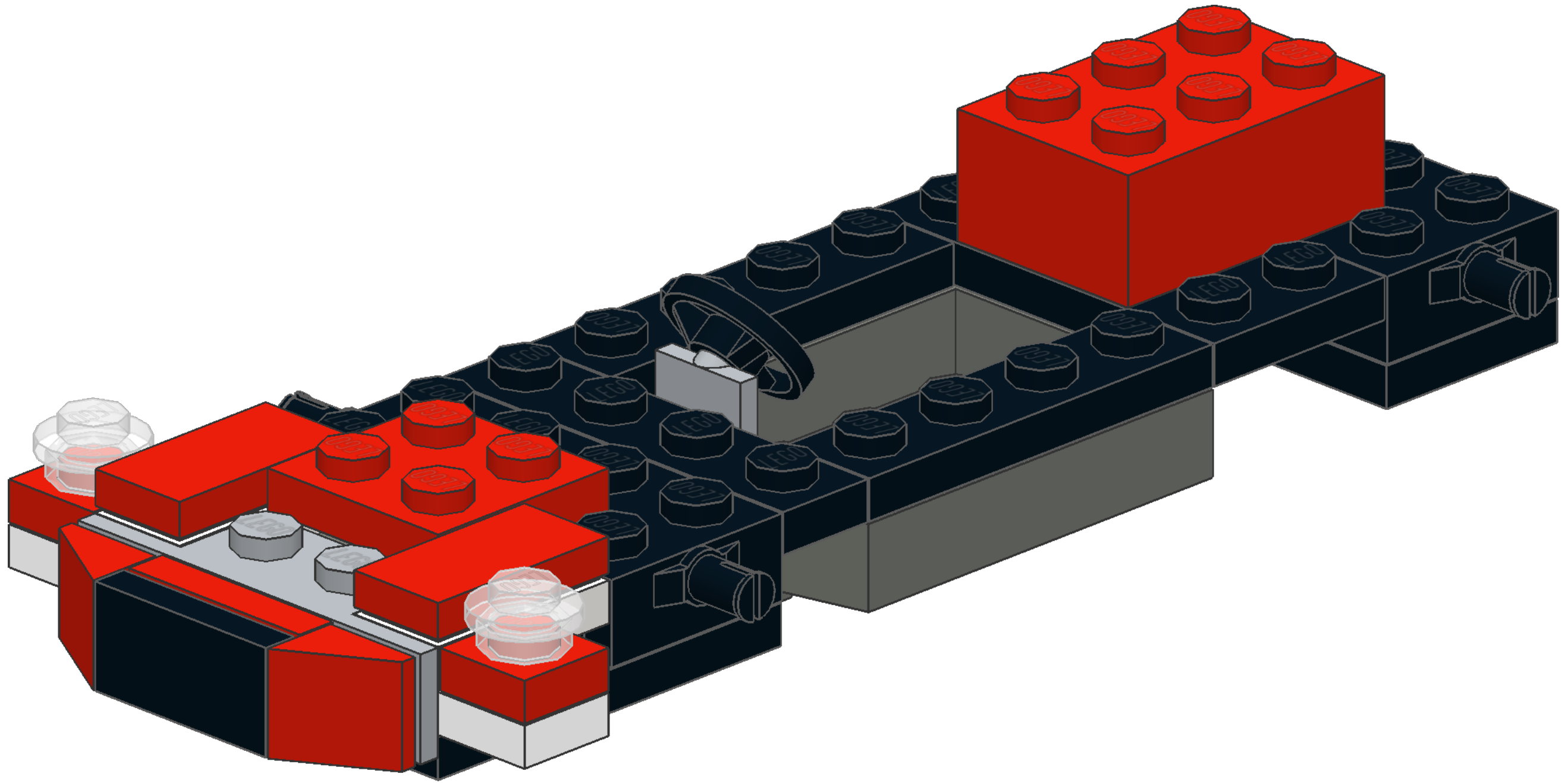
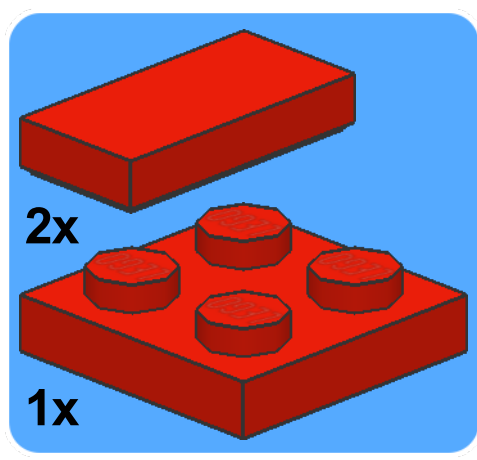
7



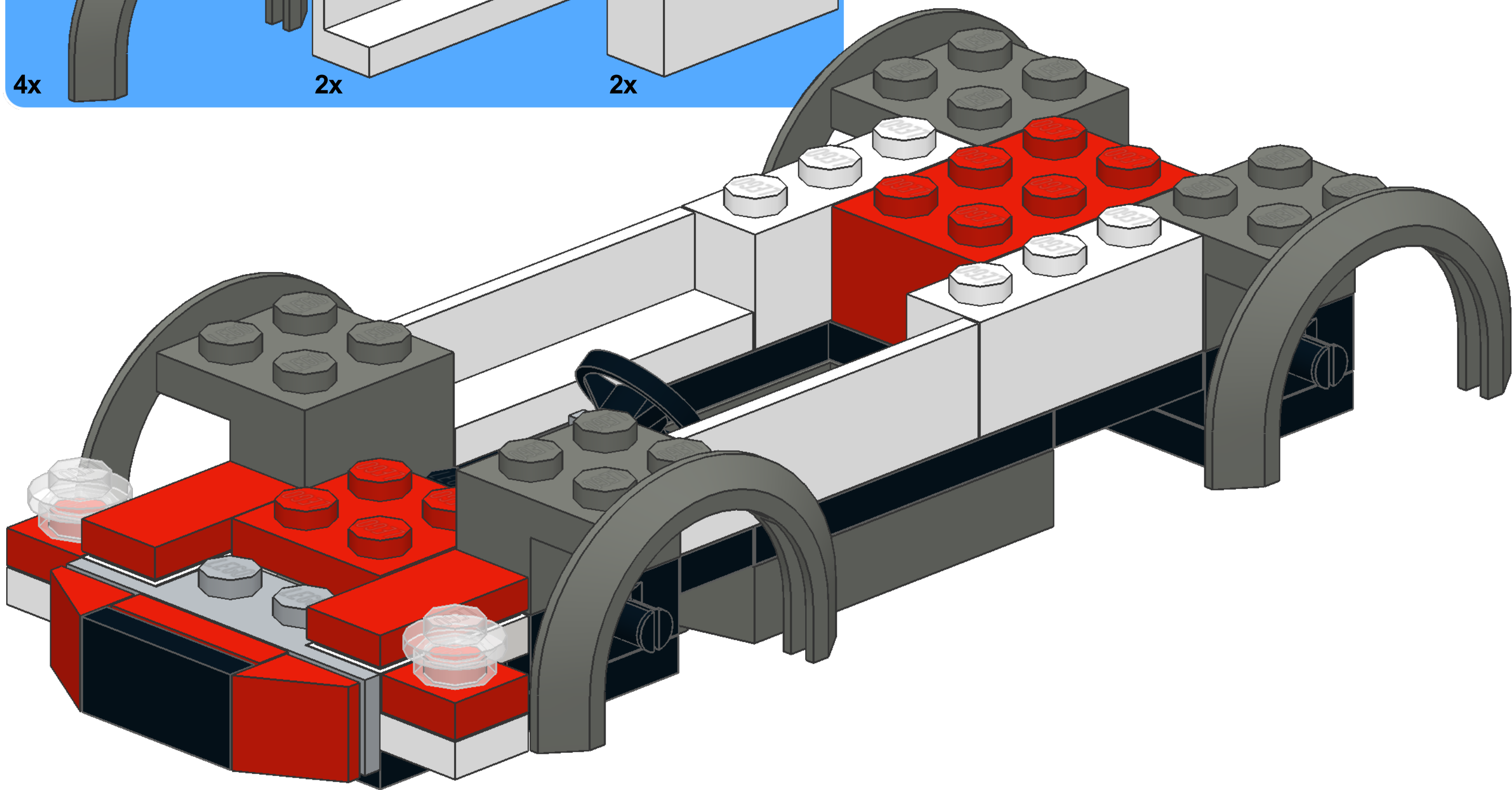
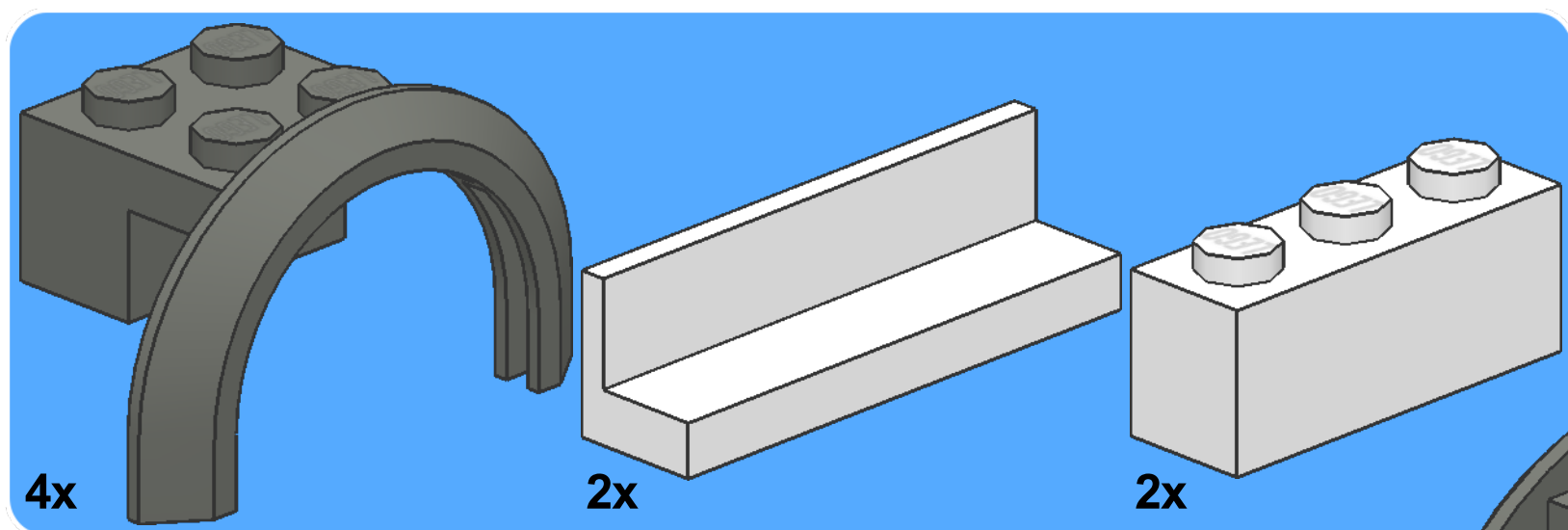
8

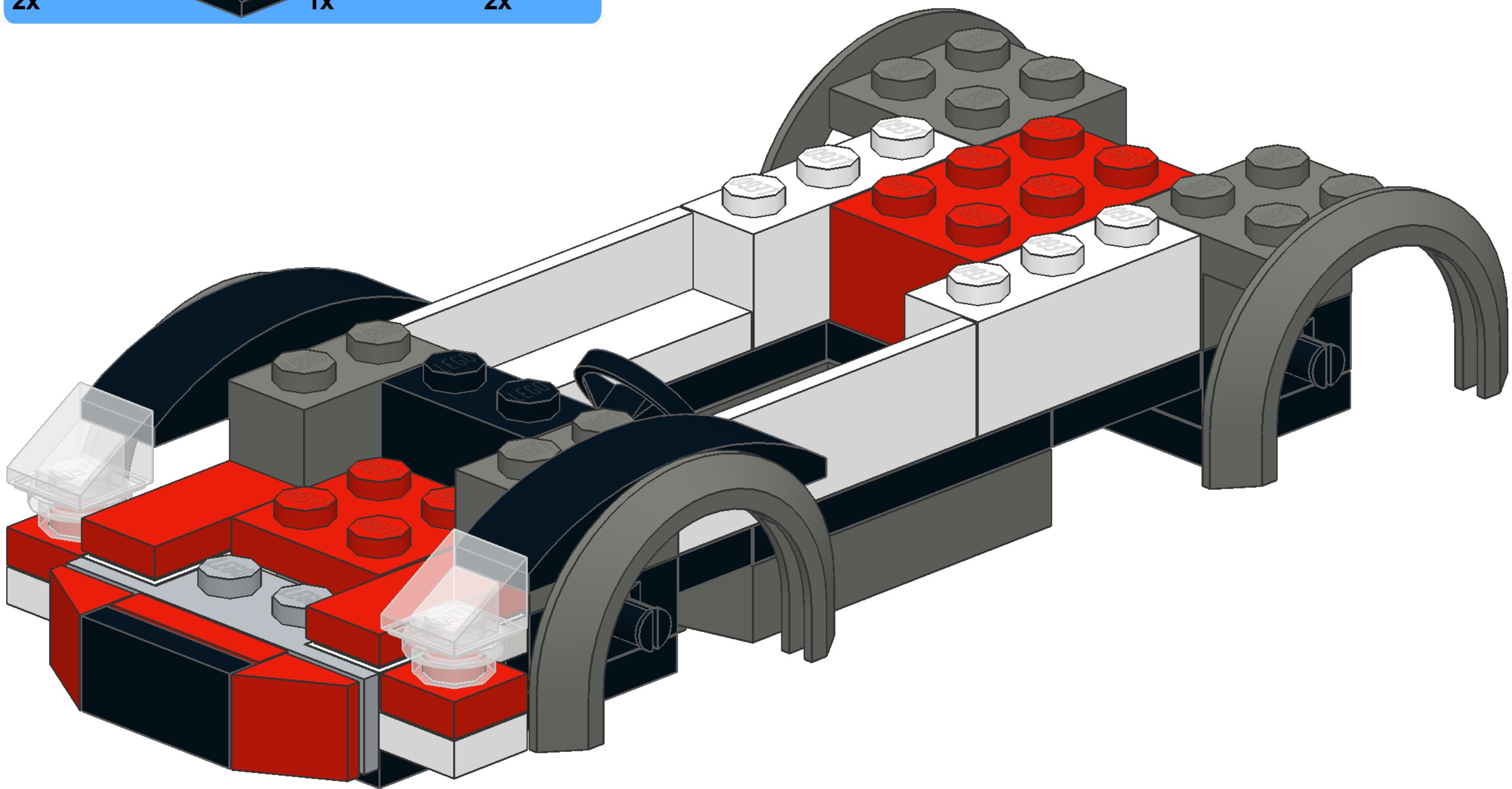
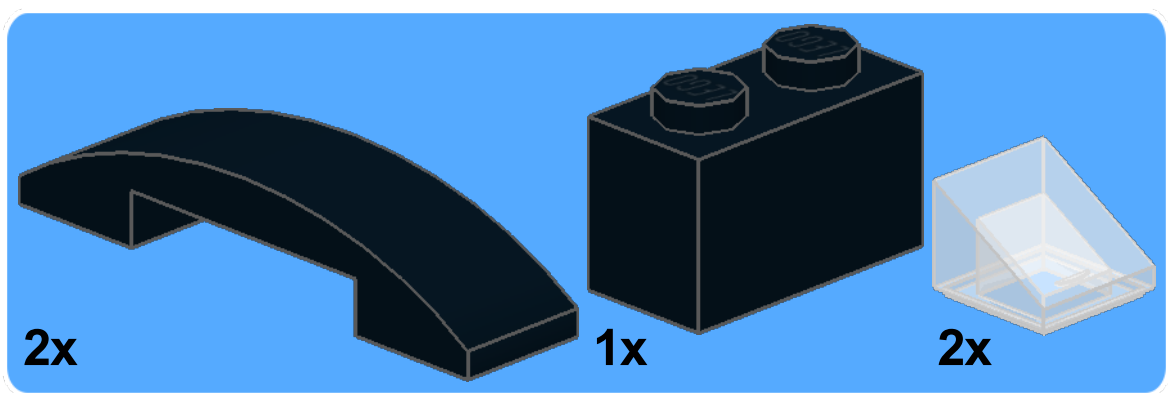


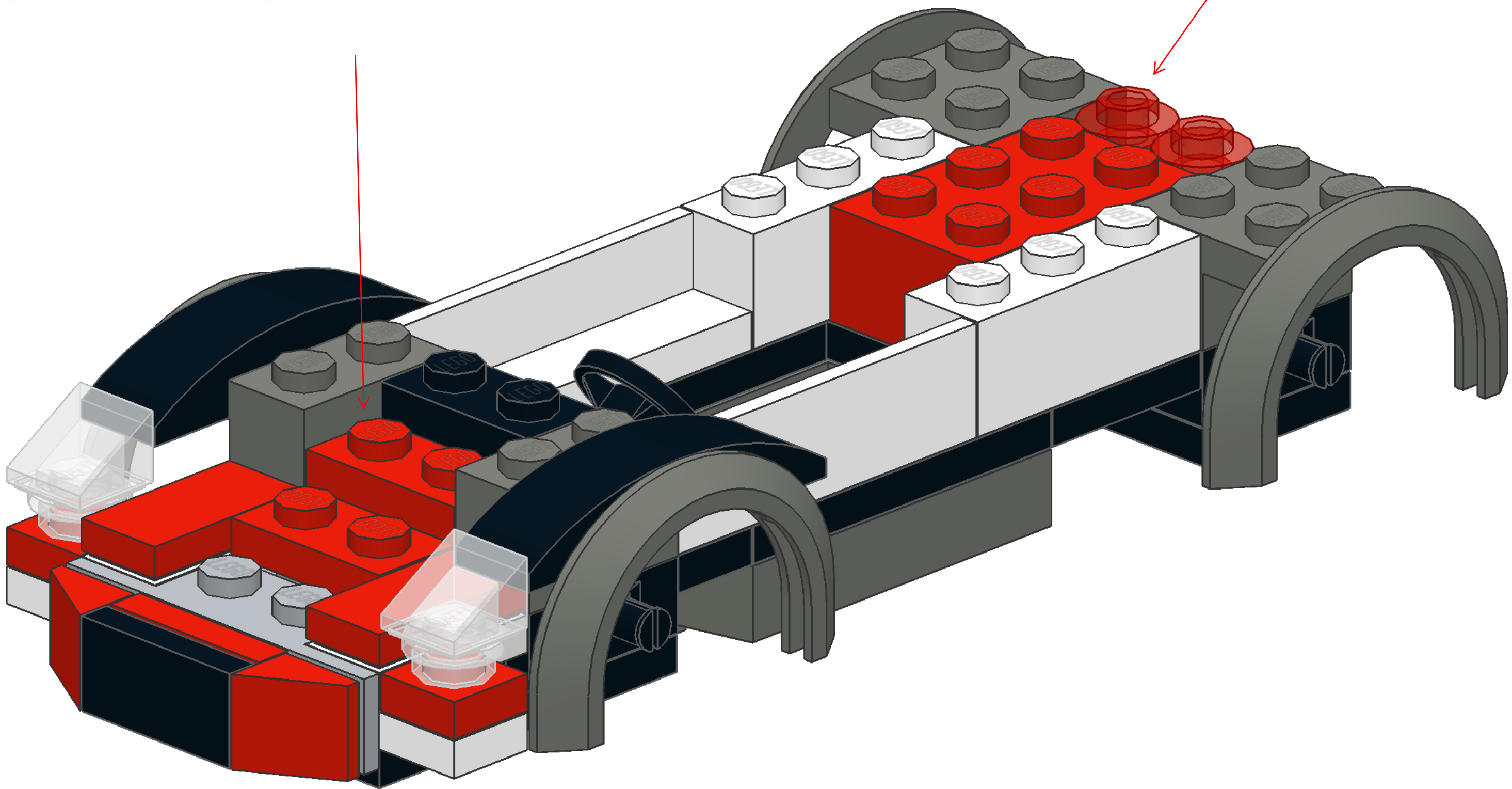
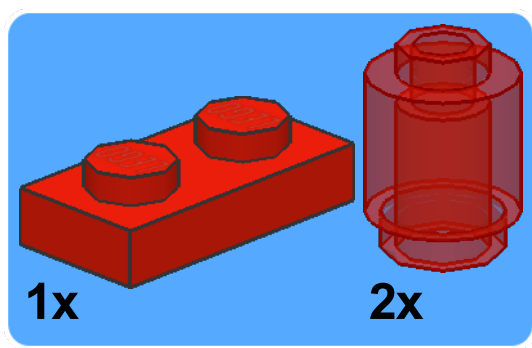
9

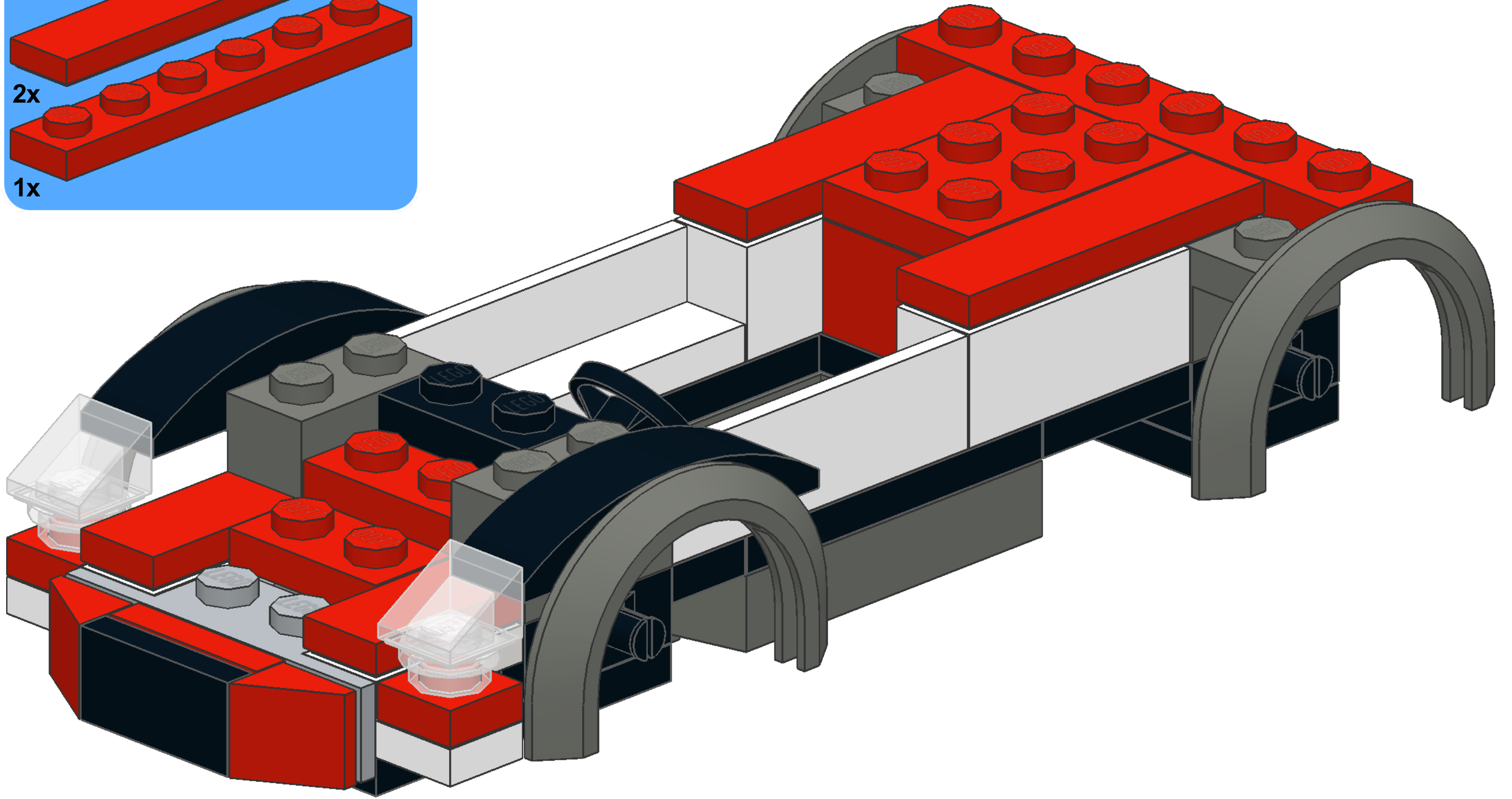
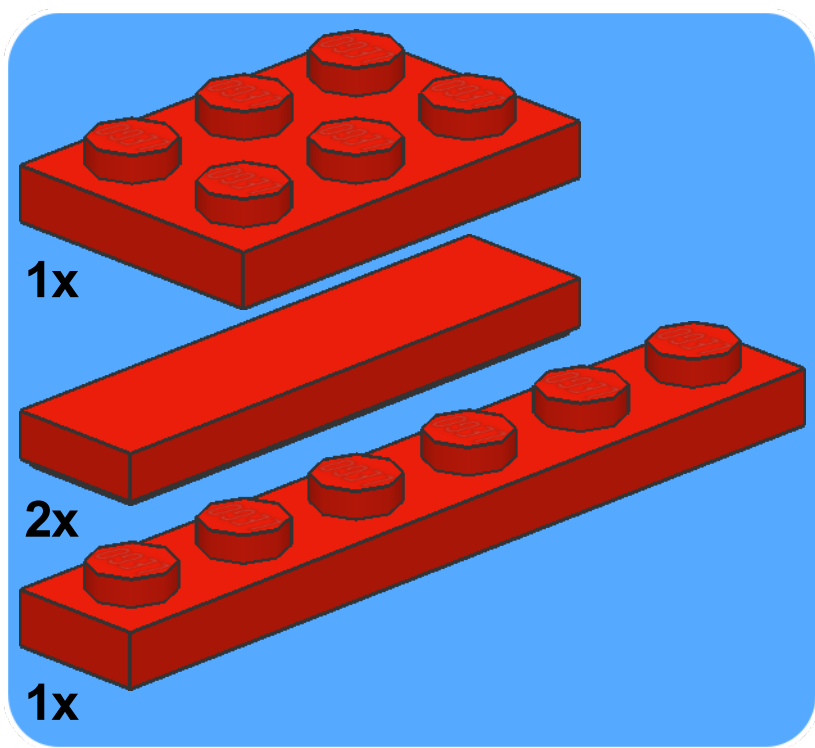






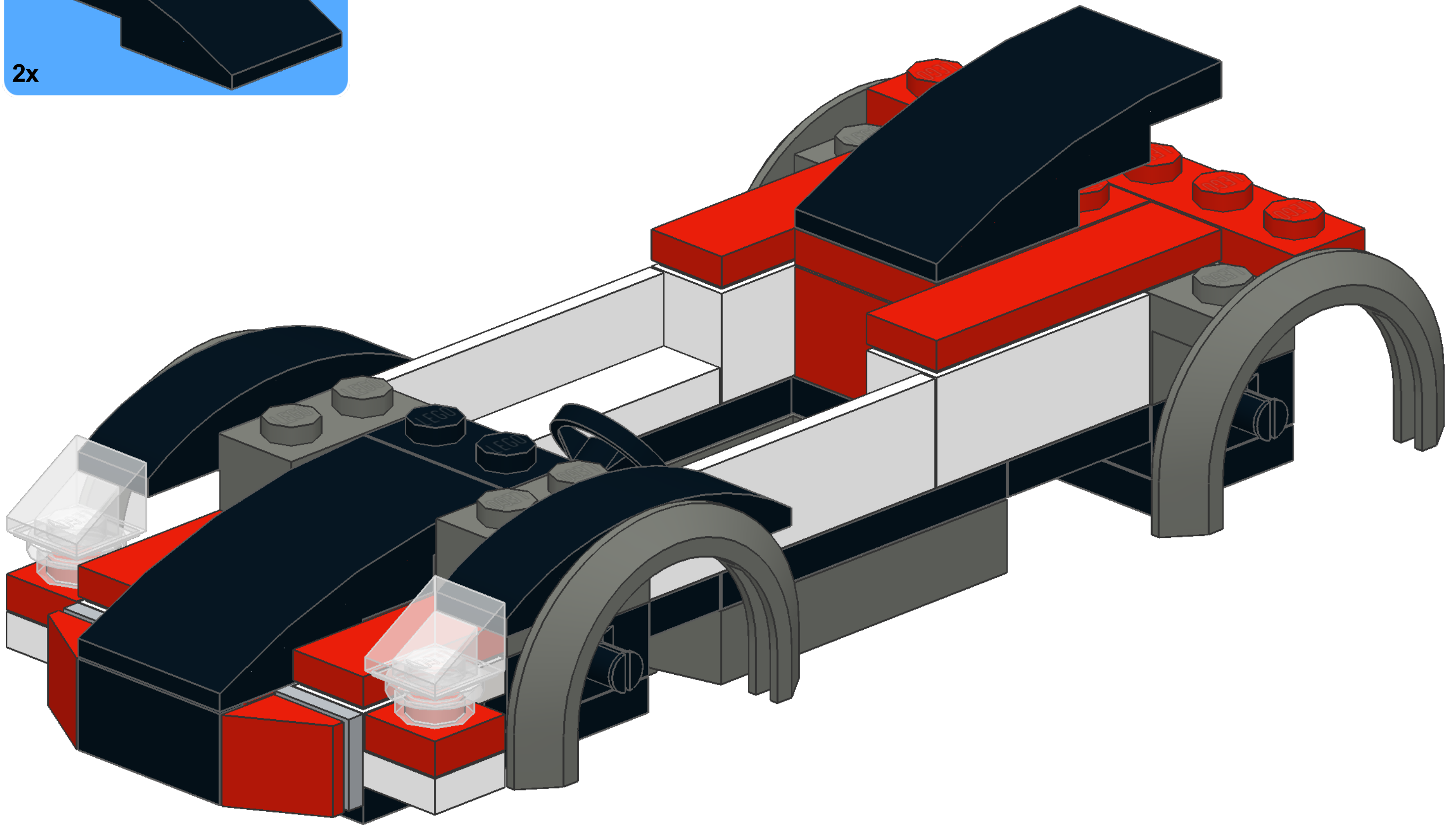
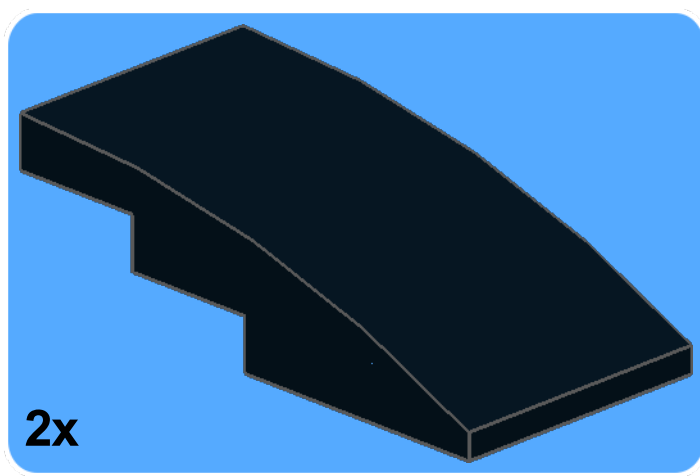


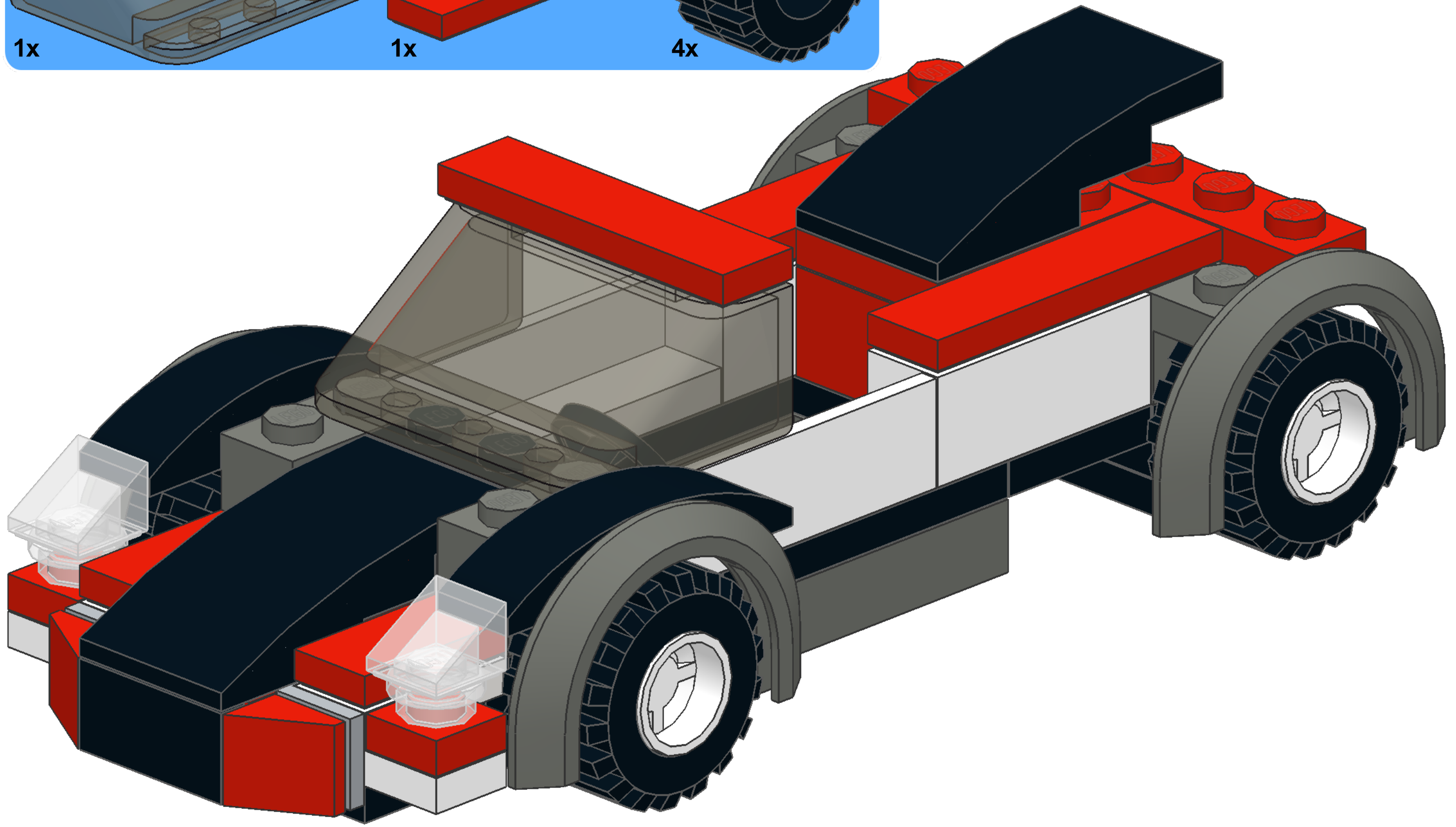
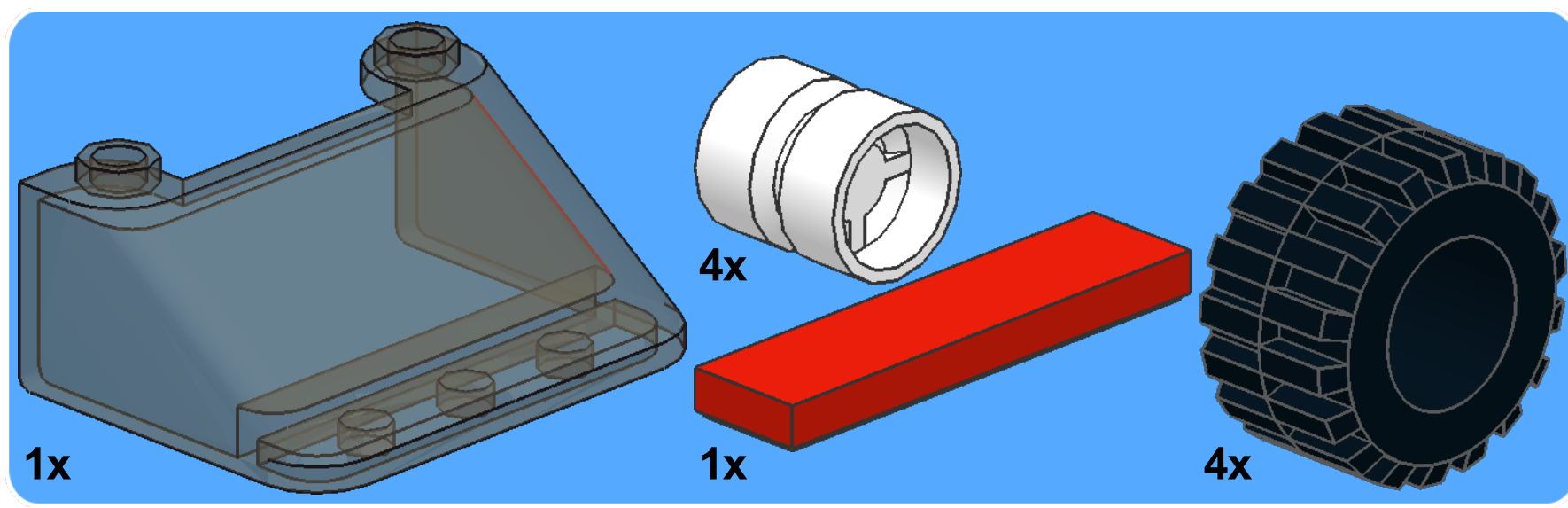






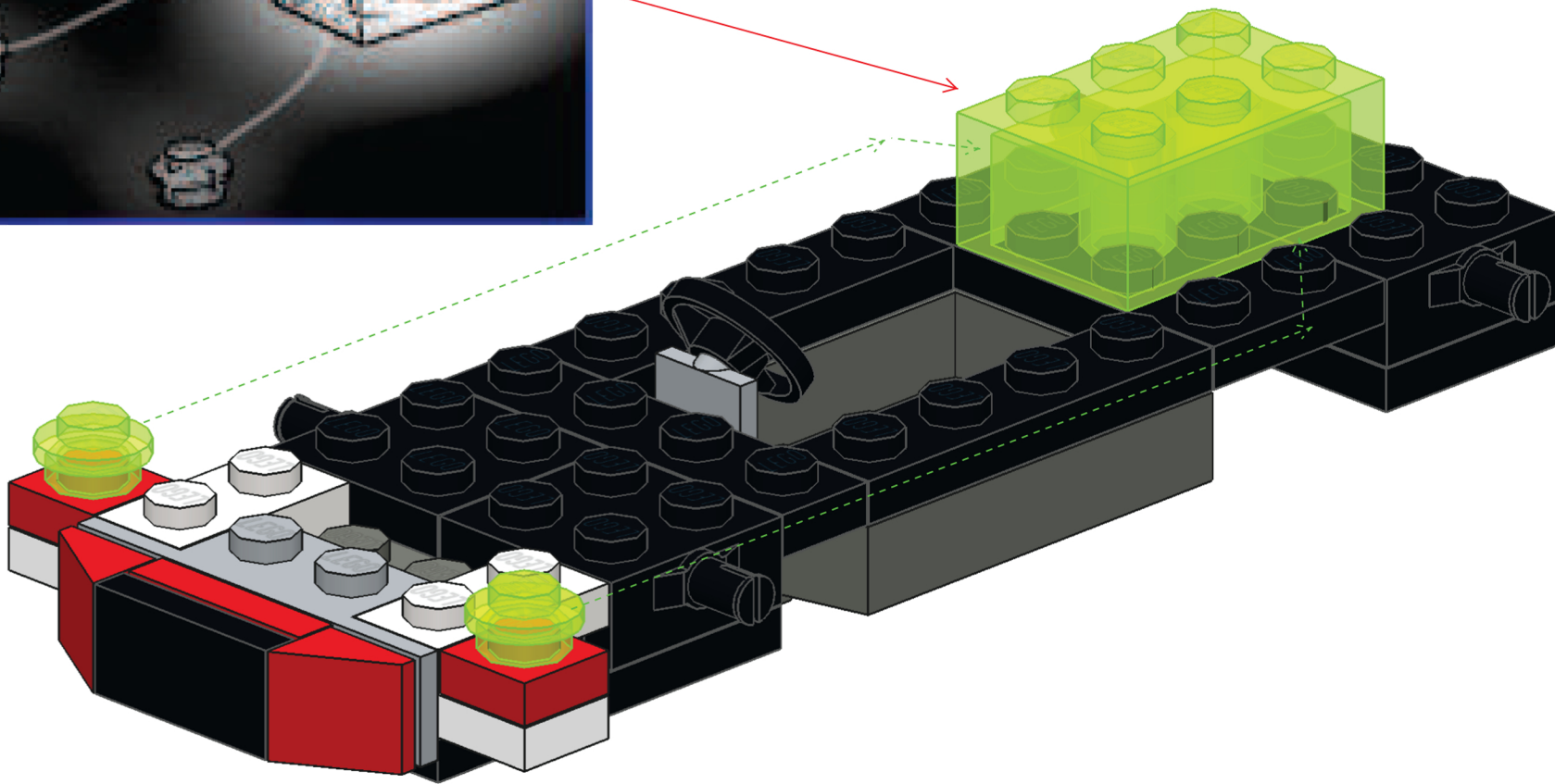
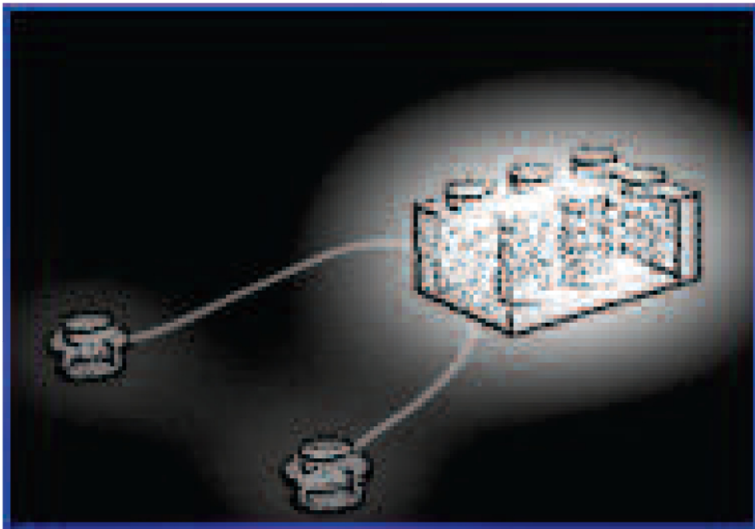
14







8



**Alternate Instructions to add Lite Blocks light kit**