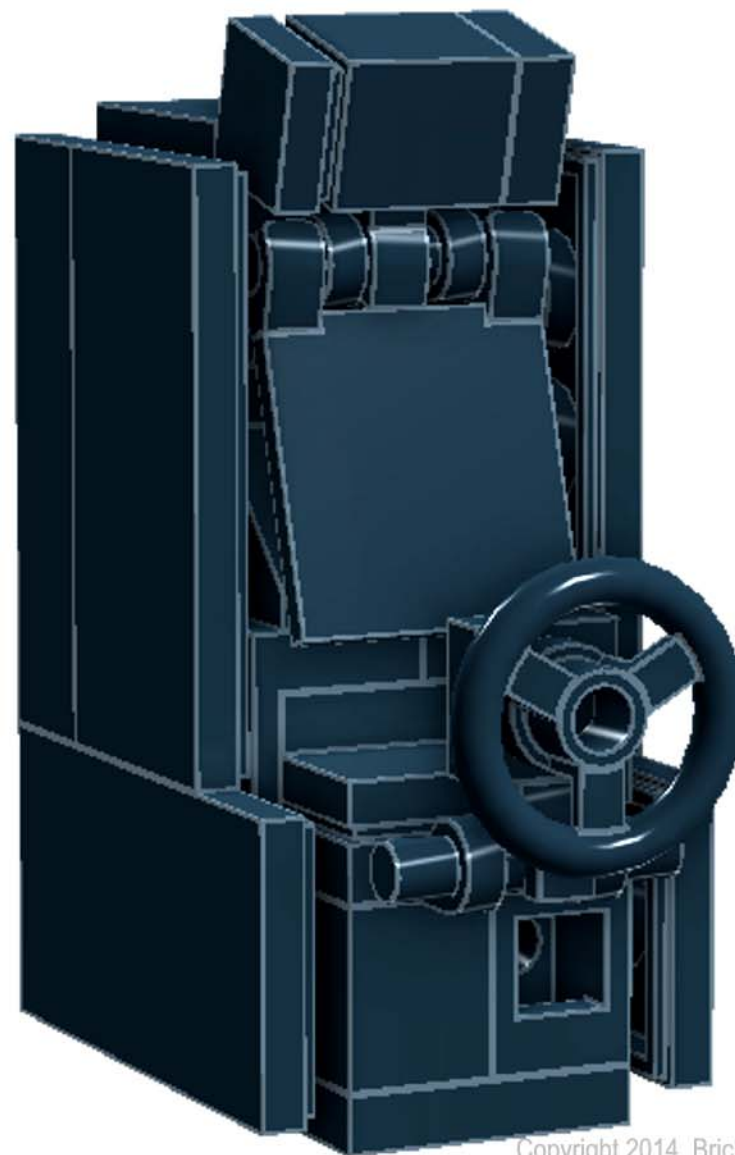




Instructions

Arcade Machines: TYPE 6

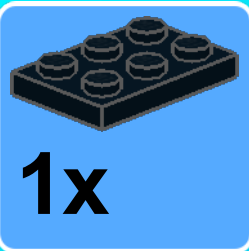


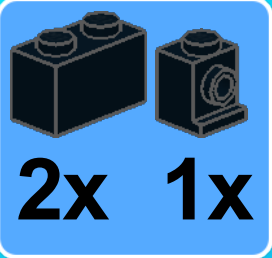
copyright brickbuilderspro


Copyright 2014, Brickbuilderspro

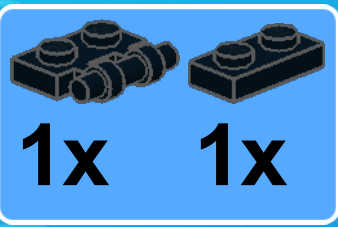



www.brickbuilderspro.com


1  **1x**

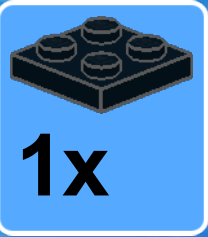
2  **2x 1x**

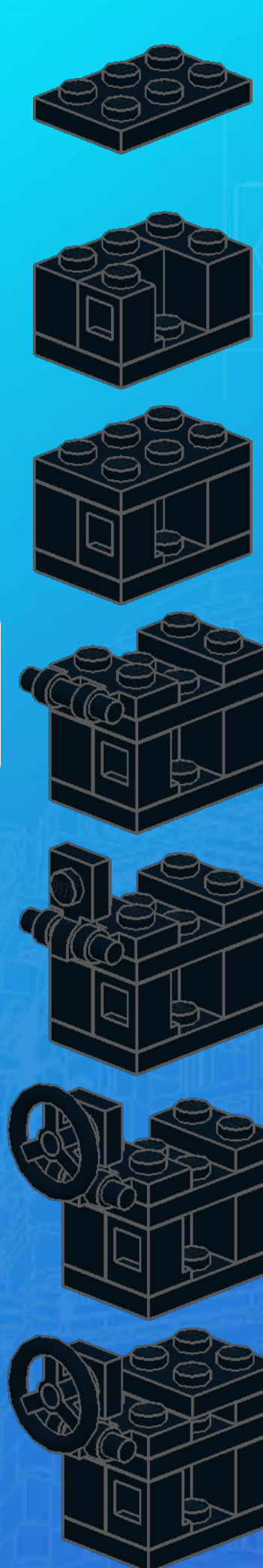
3  **1x**


4  **1x 1x**

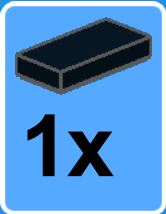
5  **1x**

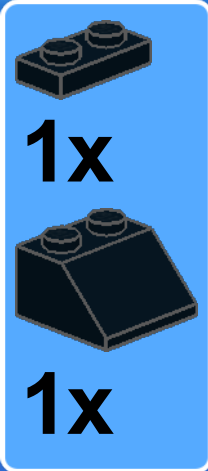
6  **1x**

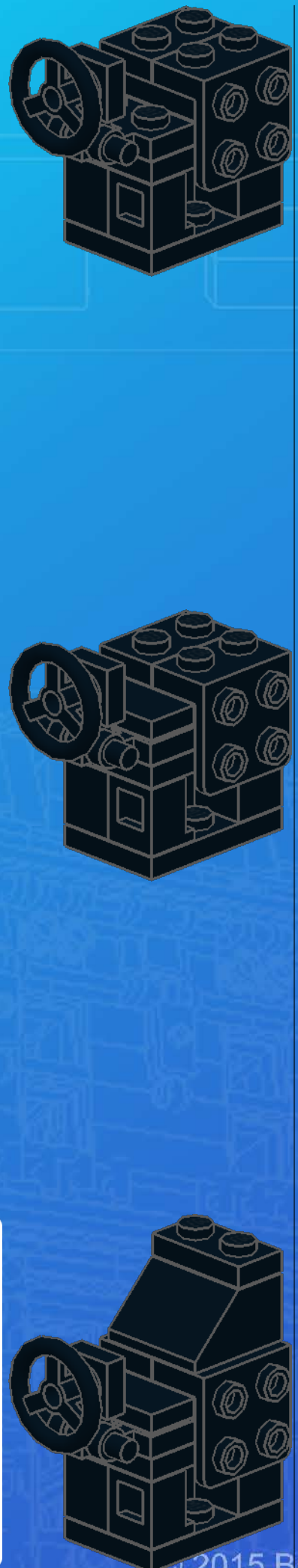
7  **1x**



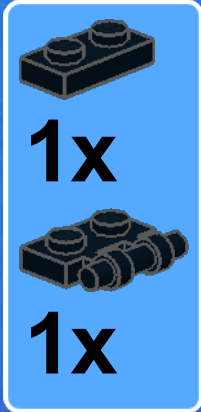
8  **2x**

9  **1x**

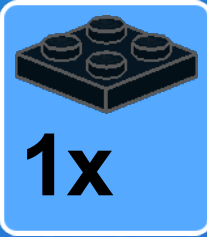
10  **1x 1x**

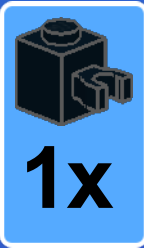



11  **2x**

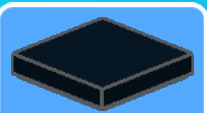
12  **1x 1x**

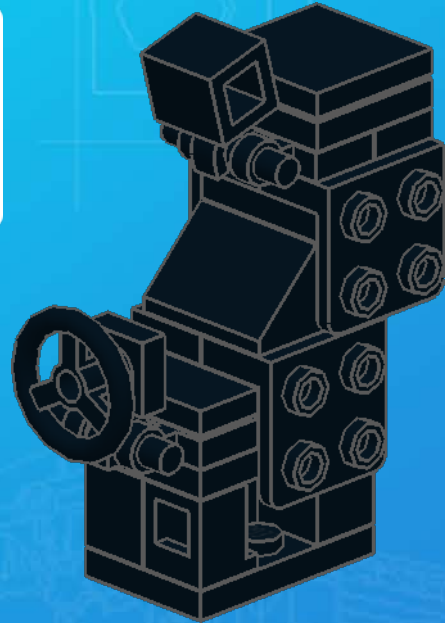


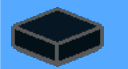

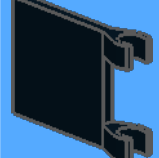

13  **1x**

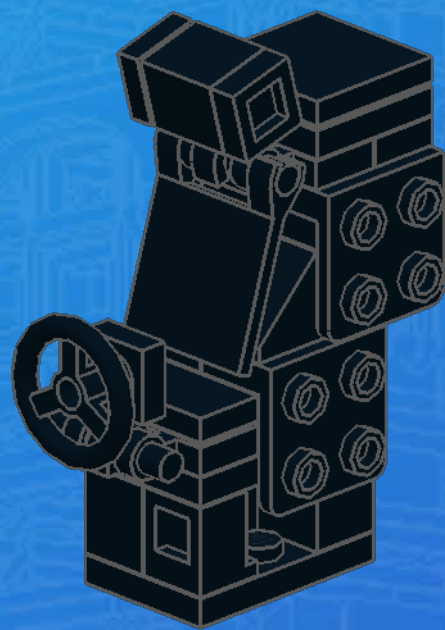
14  **1x**

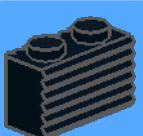



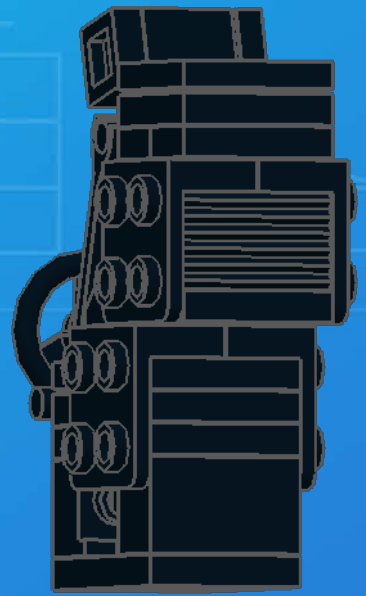
15 
1x

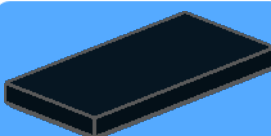


16 
1x 
1x 
1x 

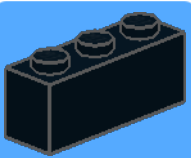


17 
1x 
1x

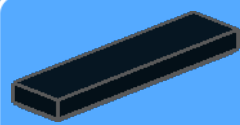
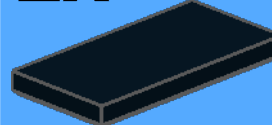


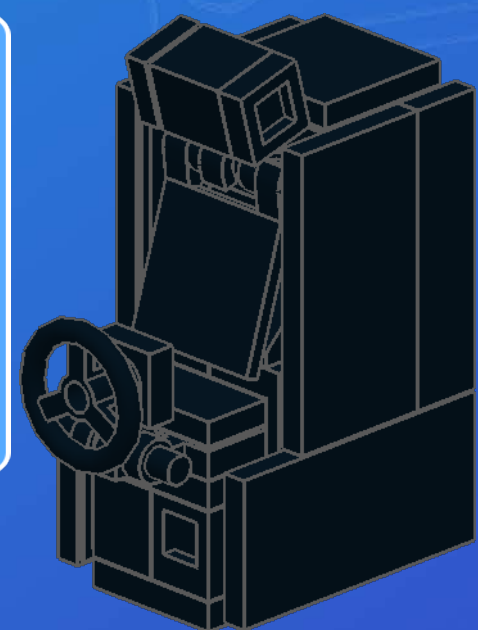
18 
2x



19 
2x







20 
2x 
2x



BILL OF MATERIALS

Brick Name	Picture	Part	Color code	Quantity	Have	Need
PROFILE BRICK 1X2		2877	26 - Black	1		
BRICK 1X2		3004	26 - Black	2		
BRICK 1X3		3622	26 - Black	2		
ANGULAR BRICK 1X1		4070	26 - Black	1		
BRICK 1X1 W/HOLDER, HORIZONTAL		60475	26 - Black	1		
ROOF TILE 2X2/45°		3039	26 - Black	1		
FLAT TILE 1X1		3070	26 - Black	1		
PLATE 1X1		3024	26 - Black	1		
FLAT TILE 1X2		3069	26 - Black	1		
PLATE 1X2		3023	26 - Black	3		
FLAT TILE 1X4		2431	26 - Black	2		

BILL OF MATERIALS

Brick Name	Picture	Part	Color code	Quantity	Have	Need
FLAT TILE 2X2		3068	26 - Black	1		
PLATE 2X2		3022	26 - Black	2		
FLAT TILE 2X4		87079	26 - Black	4		
PLATE 2X3		3021	26 - Black	2		
PLATE 1X1 W/HOLDER VERTICAL		6019	26 - Black	1		
PLATE 1X2 W. STICK		2540	26 - Black	2		
ANGLE PLATE 1X2 / 2X2		44728	26 - Black	4		
FLAG WITH 2 HOLDERS		60779	26 - Black	1		
STEE.WHEEL Ø16 F/CONSOLE 2X2		30663	26 - Black	1		
				34		