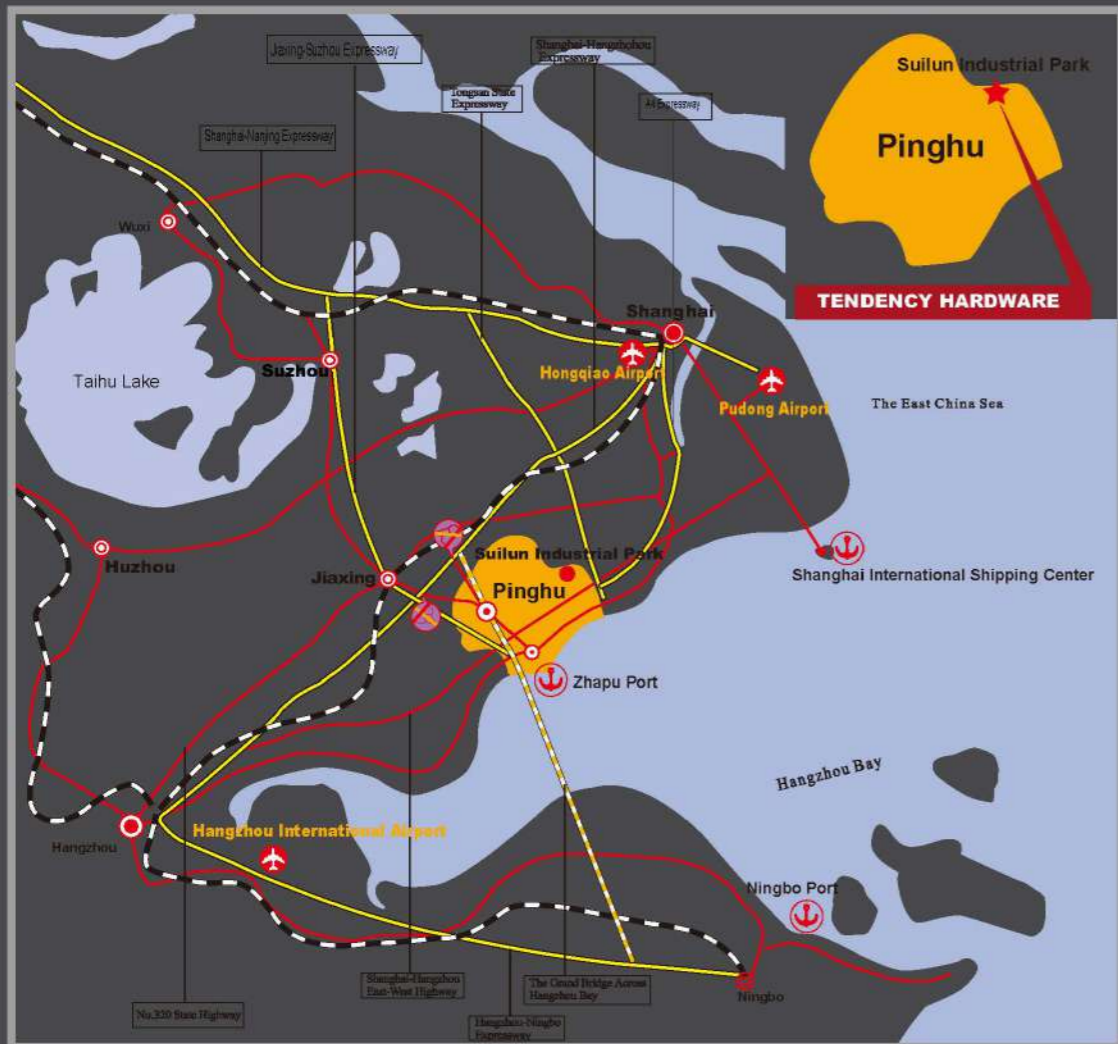


Please note that: Due to the process of printing and photography, the actual products may look slightly different from the ones in the catalogue. All discrepancy of products in the catalogue are subjected to the real product. Any modification will not be informed separately. All copyrights reserved, reprint is not allowed.



# TDC HINGE

RESIDENTIAL HINGES      COMMERCIAL HINGES      SPRING HINGES  
KOREA STANDARD HINGES



**PINGHU TENDENCY HARDWARE CO.,LTD**

Tel: +86-0573-85845365

Fax: +86-0573-85845364

Mobile Phone: +86 13325838282

Email: [info@tdc-hardware.com](mailto:info@tdc-hardware.com)

Website: [www.tdc-hardware.com](http://www.tdc-hardware.com)

No.158, Suiyun Industry Park, Dushangang Town,  
Pinghu City, Zhejiang Province, CHINA



## COMPANY PROFILE

Tendency Hardware Co. Ltd is a manufacturer specialized in producing door hinges, and located in China's largest hinge manufacturing base-Dushangang Town, Pinghu City, Zhejiang Province.

Established in 1986, Tendency's main products are divided into the following categories: Residential Hinges, Commercial Hinges with ANSI / BHMA certificate, Spring Hinges with UL certificate, Stainless Steel Hinges with CE certificate. Tendency is not only passed ISO9001-2015 Quality System but also qualified by International Authoritative Attestation.

Tendency is with professional manufacturing line as well as strong quality control system; The company is equipped with stamping, polishing, plating and assembling production lines, operated by experienced technical personnel and has excellent management team

Tendency always insists on reasonable price, high quality products and excellent services. We are always prepared to develop with customers to win mutual prosperity.

TENDENCY HAS RECEIVED MANY AUTHORITATIVE CERTIFICATIONS AND RECOGNITIONS, WHICH CAN MAKE YOU MORE CONVINCED TO CHOOSE TDC HINGE.



# CONTENTS

## BRIEF INTRODUCTION

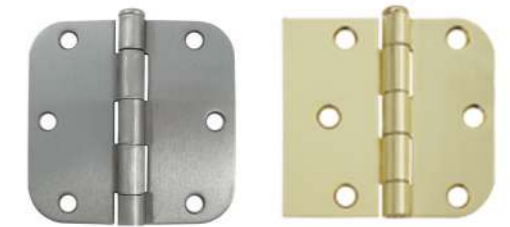
### 01-06

- 1 COMPANY PROFILE
- 2 CONTENTS
- 3 Guide to the U.S.Finishes and Symbols
- 4-6 General Architectural Hinge Information

## RESIDENTIAL HINGES

### 07-12

- 07 Number system
- 08-10 Steel Residential Hinges
- 11 Unilateral 5/8" Radius Corners Hinges
- 12 Stainless Steel/Solid Brass Hinges



## COMMERCIAL HINGES

### 13-18

- 13 Number system
- 14-16 Steel commercial Hinges
- 17 Steel Heavy weight Commercial Hinges
- 18 Stainless Steel/Solid Brass Hinges



## SPRING HINGES

### 19-26

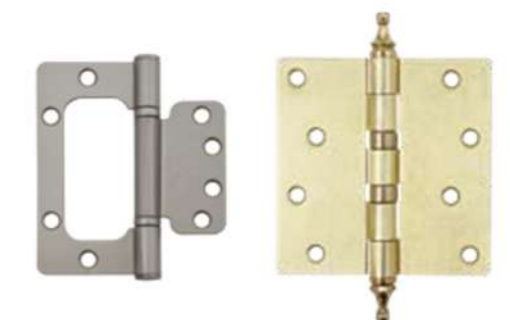
- 19 Installation Instructions
- 20 Number system
- 21-22 Steel Spring Hinges--3 Knuckle
- 23 Stainless Steel Spring Hinges - 3 Knuckle
- 26 Double Spring Hinges



## KOREA STANDARD HINGES

### 27-30

- 27-28 Full Mortise Hinges--3 Knuckle Hinges
- 29 Full Mortise Hinges--3 Knuckle Hinges 2 Knuckle Hinges
- 30 Non Mortise Hinges--5 Knuckle Hinges



More hinges can be found on our website [WWW.TDC-HARDWARE.COM](http://WWW.TDC-HARDWARE.COM)

## Guide to the U.S. Finishes and Symbols

### B.H.M.A FINISH STANDARDS BASE MATERIAL

Finish Symbols	Description	Other Finish Description	Steel	Series Stainless	Brass/ Bronze
US1B	Bright Japan	BL/BK	601	N/A	601
US1D	Matte black /Flat Black		631	N/A	N/A
US2C	Zinc plated, commercial	ZC	602	N/A	N/A
US2CD	Zinc plated, satin		603	N/A	N/A
US2D	Zinc dichromate, yellow/Brass Tomete Dichromate		604	N/A	N/A
US2G	Zinc plated and dichromate sealed	ZC	603/604	N/A	N/A
US2H	Hot dipped galvanized		N/A	N/A	N/A
US3	Polished brass	PB	632	N/A	605
US3LB	Light Brass		N/A	N/A	N/A
US3/4	Brass plated		N/A	N/A	N/A
US4	Satin brass	SB/DB	633	N/A	606
US5	Antique Brass Plated	AB/ABA	638	N/A	609
US7	Bright brass, nickel oxidized and highlighted		636	N/A	610
US9	Bright bronze		637	N/A	611
US9A	Bright bronze, no lacquer		N/A	N/A	N/A
US10	Satin bronze		639	N/A	612
US10A	Antique bronze lacquered		641/643	N/A	614
US10B	Antique bronze, oiled	ORB	640	N/A	613
US10R	Matte Lacquered Antique bronze Bronze		N/A	N/A	N/A
US11	Satin Bronze, Oxidized		614	N/A	N/A
US11P	Satin Bronze, Oxidized		N/A	N/A	N/A
US12P	Tuscany bronze lacquered		716	N/A	N/A
US14	Bright nickel		645	N/A	618
US14A	Bright nickel, oxidized and highlighted		N/A	N/A	N/A
US14B	Bright black nickel		N/A	N/A	N/A
US15	Satin nickel	SN	646	N/A	619
US15A	Satin, nickel, nickel oxidized and highlighted	AN	647	N/A	620
US17A	Black nickel dull		648	N/A	621
US19	Matte black	FB	631	N/A	N/A
US20	Statuary bronze, light		649	N/A	623
US20A	Statuary bronze, dark		650	N/A	624
US26	Polished chromium plated	CM	651	N/A	625
US26D	Satin chromium plated	DC/SC	652	N/A	626
US28	Aluminum Lacquered		628	N/A	N/A
US32	Stainless steel metal, bright		N/A	629	N/A
US32D	Stainless steel metal, satin		N/A	630	N/A
AC	Antique copper	AC	N/A	N/A	N/A
USP	Prime coat, beige		600	N/A	600
GY	Grey enamel		N/A	N/A	N/A
LS	"Luma Sheen" (R)		689	N/A	689
L1	"Luma Color" (R) black		693	N/A	693
L2	"Luma Color" (R) dark bronze		695	N/A	695
L3	"Luma Color" (R) medium bronze		694	N/A	694

## General Architectural Hinge Information

### SELECTION OF THE PROPER WEIGHT AND BEARING TYPE

Standard Weight.....Plain Bearing

Standard Weight.....Ball Bearing, Concealed Bearing

Heavy Weight.....Ball Bearing, Concealed Bearing

### CONSIDERATIONS TO DETERMINE WEIGHT AND BEARING TYPE

1, Weight of Door

2, Frequency of use

3, Frame

4, Door Hardware

Always use ball bearing or concealed bearing hinges for doors with door closers and in all fire rated openings. Heavy weight doors and high frequency doors should use heavy weight ball bearing or concealed bearing hinges.

### CONSIDERATIONS TO DETERMINE HINGE SIZE

1, Door Width

2, Door Thickness

3, Weight

4, Clearance

### GUIDELINES FOR ARCHITECTURAL HINGE METAL

1, Interior doors non-corrosive areas use: Plated or Painted Steel

2, Interior labeled door use: Plated or Painted Steel, Stainless Steel

3, Interior doors in corrosive areas use: Stainless Steel, Brass, Bronze

4, Exterior doors use: Stainless Steel, Brass, Bronze

### GUIDELINES FOR FREQUENCY OF DOOR USAGE

Build Type	Daily Usage	Yearly Usage	Hinge Type
High Frequency/ Heavy Weight Door			Heavy Weight
Large Department Store Entrance	5,000	1,825,000	
Hospital Corridor and Surgical Doors	5,000	1,825,000	
Large Office Building Entrance	4,000	1,460,000	
School Entrance	1,250	456,250	
School Toilet Door	1,250	456,250	
Office Stairwell	500	182,500	
Office Building Toilet Door	400	146,000	

### MEDIUM FREQUENCY/ MEDIUM WEIGHT DOOR

Weight		Standard
School Corridor Door	100	36,500
Hospital Consultation Rooms	100	36,500
Office Building Corridor Door	80	29,200
Store Toilet Door	60	21,900
Storage Room	50	18,250

### LOW FREQUENCY/LIGHT DOOR

		Plain Bearing
Residential Entrance	30	10,950
Interior Residential	20	7,300

### MINIMUM ARCHITECTURAL CYCLE REQUIREMENTS

Grade 1:	2,500,000	Heavy Weight Ball & Concealed Bearing
Grade 2:	1,500,000	Standard Weight Ball & Concealed Bearing
Grade 3:	350,000	Light Weight Plain Bearing

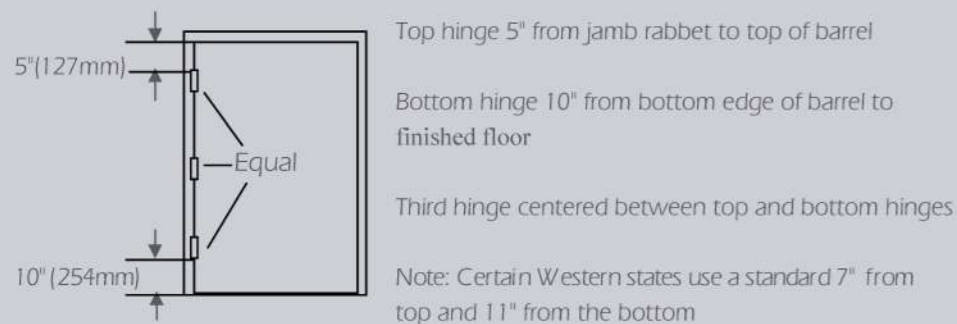
### GUIDELINES FOR ARCHITECTURAL HINGE HEIGHT

Door Thickness In Inch	Door Width In Inch	Hinge Height In Inch
1-3/8"	Up to 32"	3-1/2"
1-3/8"	32" to 37"	4"
1-3/4"	Up to 36"	4-1/2"
1-3/4"	36" to 48"	5"
1-3/4"	Over 48"	6"
2", 2-1/4", 2-1/2"	Up to 42"	5" heavy weight
2", 2-1/4", 2-1/2"	Over 42"	6" heavy weight

### GUIDELINES FOR ARCHITECTURAL HINGE WIDTH

Door Thickness In Inch	Clearance Needed In Inch	Hinge Open Width In Inch
1-3/8"	3/4"	4"
1-3/4"	1"	4"
1-3/4"	1-1/2"	4-1/2"
1-3/4"	2"	5"
2"	3"	6"
2"	1"	4-1/2"
2"	1-1/2"	5"
2-1/4"	2-1/2"	6"
2-1/4"	1"	5"
2-1/2"	2"	6"
2-1/2"	3/4"	5"
3"	1-3/4"	6"
3"	3/4"	8"
3"	2-3/4"	8"
3"	4-3/4"	10"

### LOCATION OF ARCHITECTURAL HINGES



### GUIDELINES FOR NUMBER OF ARCHITECTURAL HINGES

- 1, Doors up to 60".....2 hinges
- 2, Doors 60" to 90".....3 hinges
- 3, Doors 90" to 120".....4 hinges

### METRIC CONVERSION CHART

English System	EMetric System
2" x 2"	50mm x 50mm
2.5" x 2.5"	63mm x 63mm
3" x 3"	76mm x 76mm
3.5" x 3.5"	88mm x 88mm
4" x 4"	101mm x 101mm
4.5" x 4"	114mm x 101mm
4.5" x 4.5"	114mm x 114mm
5" x 4"	127mm x 101mm
5" x 4.5"	127mm x 114mm
5" x 5"	127mm x 127mm
6" x 4.5"	152mm x 114mm
6" x 5"	152mm x 127mm
6" x 6"	152mm x 152mm
8" x 5"	203mm x 127mm
8" x 6"	203mm x 152mm
8" x 8"	203mm x 203mm

### Material Thicknes

.089	2.26 mm
.092	2.34 mm
.123	3.12 mm
.130	3.30 mm
.134	3.40 mm
.146	3.71 mm
.180	4.57 mm
.190	4.83 mm
.203	5.16 mm

### DECIMAL PARTS OF AN INCH

Fractions of an Inch with Decimal Equivalent	Fractions of an Inch with Equivalent
1/64-.016	13/32-.406
1/32-.031	7/16-.437
3/64-.047	15/32-.469
1/16-.062	1/2-.500
5/64-.078	17/32-.531
3/32-.094	9/16-.562
7/64-.109	9/32-.594
1/8-.125	5/8-.625
9/64-.140	21/32-.656
5/32-.156	11/16-.688
11/64-.172	23/32-.718
3/16-.187	3/4-.750
13/64-.203	25/32-.781
7/32-.219	13/16-.812
15/64-.234	17/32-.844
1/4-.250	7/8-.875
9/32-.281	29/32-.906
5/16-.312	15/16-.937
11/32-.344	31/32-.969
3/8-.375	1-1.000

### METRIC CONVERSION

Inches to Millimeters = Inches x 25.4  
 Millimeters to Inches = Millimeters x .03937

TENDENCY HINGE NUMBER SYSTEM

RESIDENTIAL HINGES

MODEL: RH 3535 22 BB 5K NRP US26D

Hinge Type:

RH Residential Hinge

Length and Width Size Examples:

3025	3"X2.5"
3030	3"X3"
3535	3.5"X3.5"
4030	4"X3"
4040	4"X4"
5030	5"X3"

Thickness Examples:

20	2.0mm
22	2.2mm
25	2.5mm
30	3.0mm

Function:

Blank	Plain Bearing
BB	Ball Bearing(2BB and 4BB)
CB	Concealed Bearing

Number of Knuckles:

2	2 Knuckle
3	3 Knuckle
Blank	5 Knuckle
6	6 Knuckle

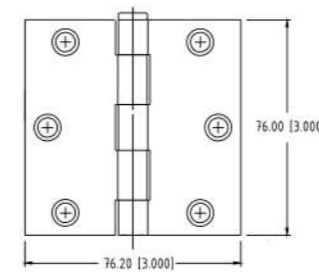
Pin/Options:

LP	Loose Pin
RVP	Riveted Pin & Fixed
Pin NRP	Non-Removable Pin with the set screw
FHP	Flat Head Pin
CHP	Crown Head Pin
SHP	Steeple Head Pin
PHP	Pagoda Head Pin
BHP	Ball Head Pin

Finish Examples:

US26D(SC)	Satin Chrome Plated
US3(PB)	Polished/Bright Brass Plated
US5(AB)	Antique Brass Plated

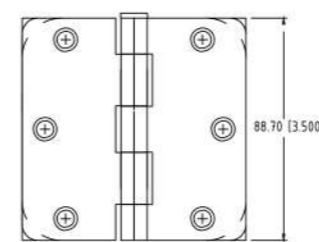
- MATERIAL: Steel (Iron)
- 5 KNUCKLE HINGES



MODEL: RH3030  
RH303020-US2C (3"X3"X2.0mm)



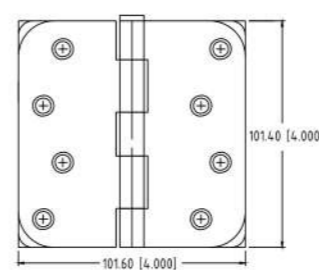
US2C



MODEL: RH3535  
RH353520 (3.5"X3.5"X2.0mm)  
RH353522-5/8R-US15 (3.5"X3.5"X2.2mm)



US15



MODEL: RH4040  
RH404022-1/4R-US4 (4"X4"X2.2mm)  
RH404025 (4"X4"X2.5mm)



US4

• MATERIAL: STEEL 5 KNUCKLE HINGES RH3535 PARTIAL SURFACE



RH353522-5/8R-US15-satin-nickel



RH353522-5/8R-US26D-satin-chrome



RH353522-5/8R-weathered-nickel



RH353522-5/8R-US26-polished-chrome



RH353522-5/8R-US15A-antique-nickel



RH353522CB-US1D-US19-matte-black



RH353522-5/8R-US3-polished-brass



RH353522-1/4R-VN/PN-Pearl nickel



RH404022-5/8R-US10-satin-bronze

**MODEL: RH3535**

RH353520 (3.5"X3.5"X2.0mm)  
RH353522 (3.5"X3.5"X2.2mm)

Hinge Size (hgt. x wtd.)		Number Holes	Gauge of Metal	Pin Diameter	Screw Size		Quantity		Avg. Weight Per Case (lbs.)
Inches	Millimeters				Machine	Wood	Inner Box	Case	
3.5" x 3.5"	88.9 x 88.9	6	0.080"	0.232"	None	#9 x 3/4"	Bulk	100 Pcs.	40
3.5" x 3.5"	88.9 x 88.9	6	0.087"	0.232"	None	#9 x 3/4"	Bulk	100 Pcs.	42

• MATERIAL: STEEL 5 KNUCKLE HINGES RH4040 PARTIAL SURFACE



RH404022CB-US2CD-Zinc plated, satin



RH404022-1/4R-US15-satin-nickel



RH404022-US15A-antique-nickel



RH404022-1/4R-US4-satin brass



RH404022-1/4R-US5-antique-brass



RH404022CB-1/4R-AC/OC-antique-copper



RH404022-5/8R-US11P-vintage-bronze



RH404022CB-5/8R-US10R-vintage-bronze



RH404022CB-5/8R-US1D/US19-matte-black

**MODEL: RH4040**

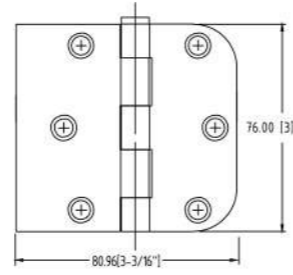
RH404022 (4"X4"X2.2mm)  
RH404025 (4"X4"X2.5mm)

Hinge Size (hgt. x wtd.)		Number Holes	Gauge of metal	Pin Diameter	Screw Size		Quantity		Avg. Weight Per Case (lbs.)
Inches	Millimeters				Machine	Wood	Inner Box	Case	
4" x 4"	101.6 x 101.6	8	0.087"	0.232"	None	#9 x 1"	Bulk	100 Pcs.	52
4" x 4"	101.6 x 101.6	8	0.098"	0.232"	None	#9 x 1"	Bulk	100 Pcs.	58

• STEEL 5 KNUCKLE HINGES



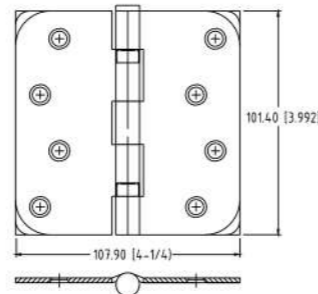
US3/4



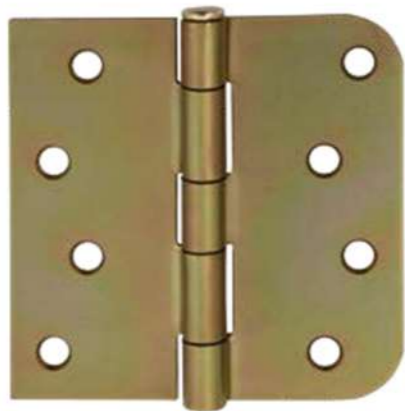
**MODEL: RH30D**  
RH30D20-US3/4 (3"X3-3/16"X2.0mm)



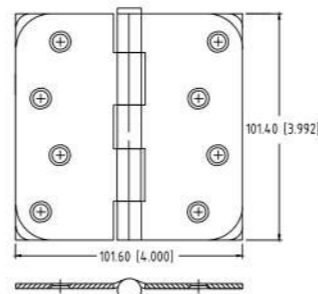
US15



**MODEL: RH40D**  
RH40D22CB-US15 (4"X4-1/4"X2.2mm-2CB)  
RH40D25CB (4"X4-1/4"X2.5mm-2CB)



US2D



**MODEL: RH40D**  
RH40D4022-US2D (4"X4"X2.2mm)  
RH40D4025 (4"X4"X2.5mm)

• MATERIAL: STAINLESS STEEL/SOLID BRASS 5 KNUCKLE HINGES



**MODEL: RHS40D**  
RHS40D22BB-NRP-US32D (4"X4-1/4"X2.2mm-2BB-NRP)



**MODEL: RHS4040**  
RHS 404025BB-5/8R-US32D (4"X4"X2.5mm-2BB)



**MODEL: RHS3535 / RHS4040**  
RHS 353522-5/8R-US32D (3.5"X3.5"X2.2mm)  
RHS 353522BB-US32D (3.5"X3.5"X2.2mm-2BB)  
RHS 404022 (4"X4"X2.2mm)  
RHS 404025 (4"X4"X2.5mm)  
RHS 404022BB-1/4R-US32D (4"X4"X2.2mm-2BB)  
RHS 404025BB (4"X4"X2.5mm-2BB)

TENDENCY HINGE NUMBER SYSTEM

COMMERCIAL HINGES

MODEL: CH 4545 34 BB 5K HW NRP US26D

Hinge Type:  
CH Commercial Hinge

Length and Width Size Examples:

3535	3.5"X3.5"
4040	4"X4"
4540	4.5"X4"
4545	4.5"X4.5"

Thickness Examples:

31	3.1mm
33	3.30mm
34	3.4mm
45	4.5mm

Function:

PB	Plain Bearing
BB	Ball Bearing(2BB and 4BB)
CB	Concealed Bearing

Number of Knuckles:

2	2 Knuckle
3	3 Knuckle
Blank	5 Knuckle

Weight/Options:

Blank	Standard Weight
HW	Heavy Weight
SC	Swing Clear
SH(STD)	Security Stud
WT	Wide Throw
HT	Hospital Tip
HS	Half Surface

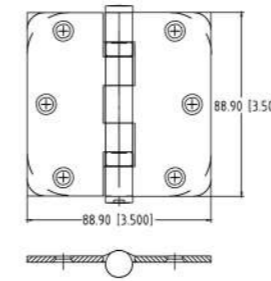
Pin/Options:

LSP	Loose Pin
RVP	Riveted Pin & Fixed
Pin NRP	Non-Removable Pin with the set screw
FHP	Flat Head Pin
CHP	Crown Head Pin
SHP	Steeple Head Pin
PHP	Pagoda Head Pin
BHP	Ball Head Pin

Finish Examples:

US26D(SC)	Satin Chrome Plated
US3(PB)	Polished/Bright Brass Plated
US5(AB)	Antique Brass Plated

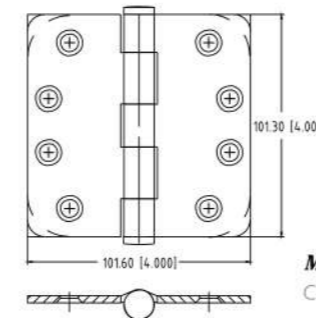
• FULL MORTISE HINGES - 5 KNUCKLE



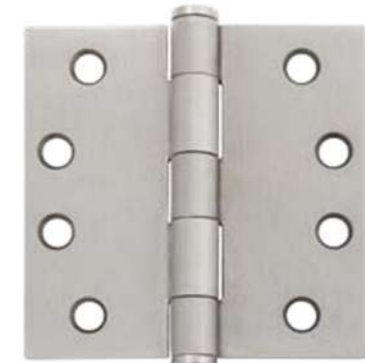
**MODEL: CH3535**  
CH353533CB-US26  
(3.5"X3.5"X3.1mm-2CB)



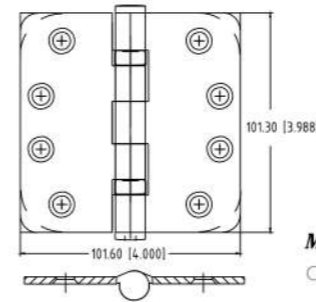
US26



**MODEL: CH4040**  
CH404033-US15 (4"X4"X3.3mm)



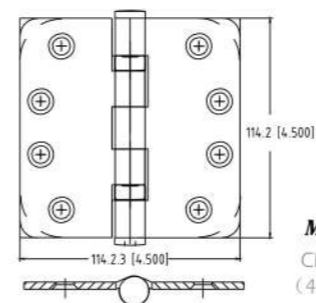
US15



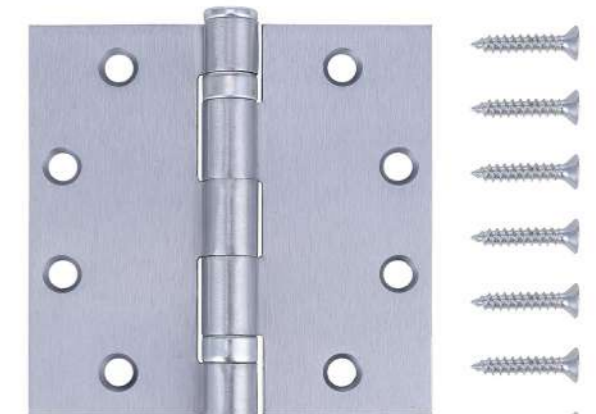
**MODEL: CH4040**  
CH404033CB-US3 (4"X4"X3.3mm-2CB)



US3

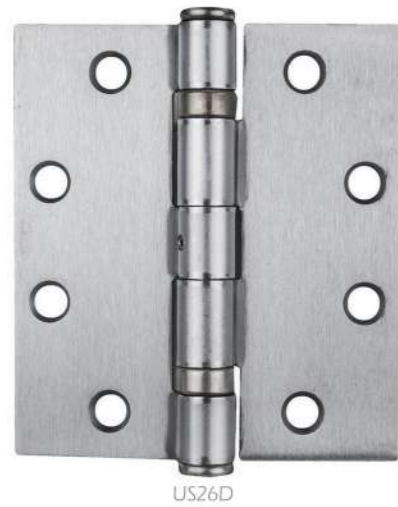


**MODEL: CH4545**  
CH454533CB-US2CD  
(4.5"X4.5"X3.3mm-2CB)

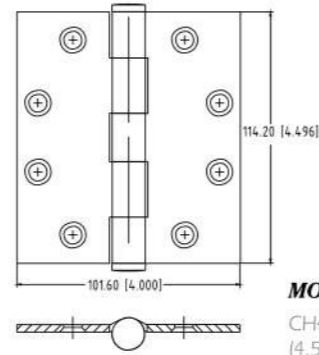


US2CD





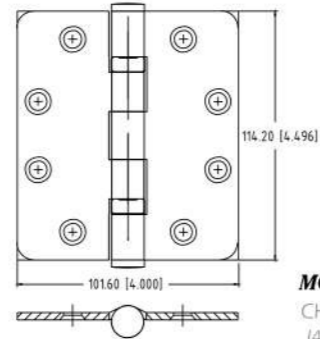
US26D



**MODEL: CH4540**  
 CH454034CB-NRP-US26D  
 (4.5"X4"X3.4mm-2CB-NRP)



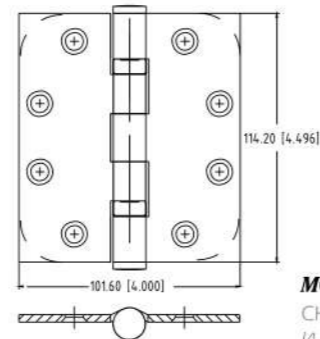
US10



**MODEL: CH4540**  
 CH454034CB-5/32R-NRP-US10  
 (4.5"X4"X3.4mm-5/32R-2CB-NRP)



US26D



**MODEL: CH4540**  
 CH454034CB-5/8R-NRP-US26D  
 (4.5"X4"X3.4mm-5/8R-2CB-NRP)



CH454534CB--US15-satin-nickel



CH454534CB-US26D-satin-chrome



CH454534CB-NRP-USP-prime coat,beige



CH454534CB-US3-Polished brass



CH454534CB-GP-Gold Plated



CH454534CB-NRP-USP-prime coat,beige



CH454534CB-US10-Satin bronze



CH454534CB-US10B-Antique bronze, oiled



CH454534CB-US10R-Matte Lacquered Antique bronze

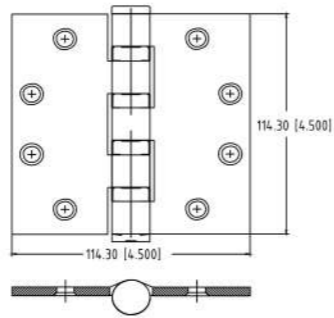
**MODEL: CH4545**  
 CH454534 (4.5"X4.5"X3.4mm)

Hinge Size (hgt. x wtd.)		Number Holes	Gauge of Metal	Pin Diameter	Screw Size		Quantity		Avg. Weight Per Case (lbs.)
Inches	Millimeters				Machine	Wood	Inner Box	Case	
4.5" x 4.5"	114.3 x 114.3	8	0.134"	0.273"	#12 x 1/2"	12 x 1-1/4"	3	48 Pcs.	56

• MATERIAL: STEEL (IRON)  
 FULL MORTISE HINGES - 5 KNUCKLE



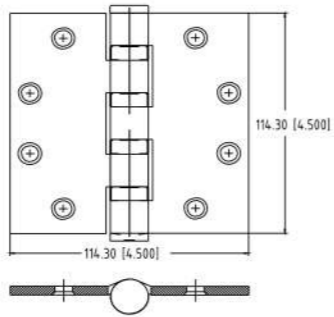
USP



**MODEL: CH4545 HW**  
 CH454545BB-HW-NRP-USP (4.5"X4.5"X4.5mm-4BB-NRP)



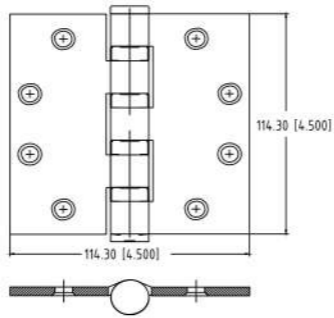
US10R



**MODEL: CH4545 HW**  
 CH454545BB-HW-US10R (4.5"X4.5"X4.5mm-4BB)



US26D



**MODEL: CH4545 HW**  
 CH454545BB-5/8R-HW-US26D (4.5"X4.5"X4.5mm-4BB)

• MATERIAL: STAINLESS STEEL/SOLID BRASS



**MODEL: CHS 4030 / 4540**  
 CHS 403030 -US32D (4"X3"X3.0mm)  
 CHS 403030BB-US32D (4"X3"X3.0mm-2BB)  
 CHS 454034BB-US32D (4.5"X4"X3.4mm-4BB)

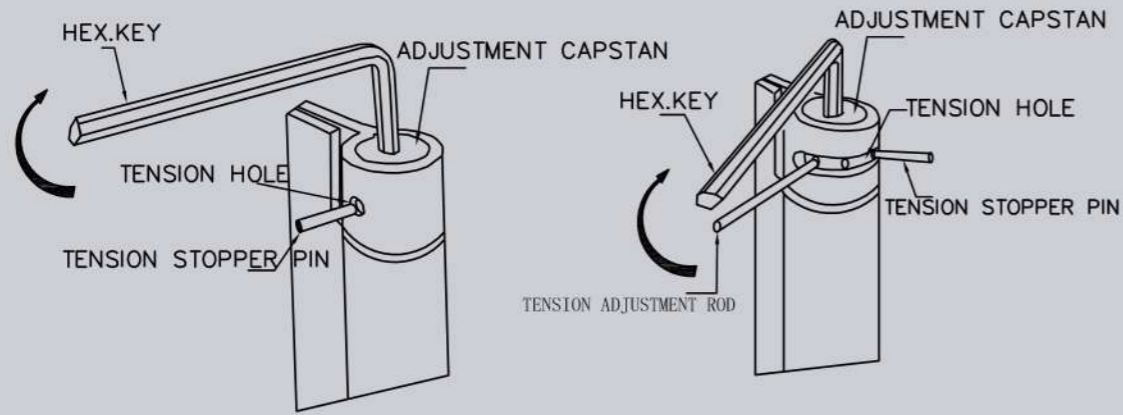
• MATERIAL: STAINLESS STEEL / SOLID BRASS



US32D

**MODEL: CHS 4540 / 4545 / 5045 / 5050**

CHS 454034BB	(4.5"X4"X3.4mm-2BB)
CHS 454534BB	(4.5"X4.5"X3.4mm-2BB)
CHS 504537BB	(5"X4.5"X3.7mm-2BB)
CHS 505037BB	(5"X5"X3.7mm-2BB)
CHS 454045BB-HW	(4.5"X4"X4.57mm-4BB)
CHS 454545BB-HW	(4.5"X4.5"X4.57mm-4BB)
CHS 504548BB-HW	(5"X4.5"X4.83mm-4BB)
CHS 504048BB-HW	(5"X4"X4.83mm-4BB)
CHS 505048BB-HW	(5"X5"X4.83mm-4BB)
CHS 454034CB-3K	(4.5"X4"X3.4mm-3 Knuckle Hinge with 2BB Concealed)
CHS 454534CB-3K	(4.5"X4.5"X3.4mm-3 Knuckle Hinge with 2BB Concealed)
CHS 504537CB-3K	(5"X4.5"X3.4mm-3 Knuckle Hinge with 2BB Concealed)
CHS 454045CB-3K-HW	(4.5"X4"X4.57mm-3 Knuckle Hinge with 2BB Concealed)
CHS 454545CB-3K-HW	(4.5"X4.5"X4.57mm-3 Knuckle Hinge with 2BB Concealed)
CHS 504548CB-3K-HW	(4.5"X4.5"X4.83mm-3 Knuckle Hinge with 2BB Concealed)



- (A) CAUTION:
- DO NOT EXCEED 3 HOLES TENSION FOR 3.5" , 4" AND 4.5" HINGES IN HEIGHT ;
  - ALWAYS ROTATE THE ADJUSTMENT CAPSTAN CLOCKWISE REGARDLESS OF RIGHT OR LEFT HAND DOOR APPLICATION.
- (B) HINGE INSTALLATION:  
 INSTALL HINGE IN NORMAL MANNER WITH THE ADJUSTMENT END OF HINGE UP , AS SHOWN ABOVE.
- (C) ADJUSTING SPRING TORQUE:
- ADJUST TORQUE ONLY AFTER THE HINGE IS INSTALLED AND WITH DOOR CLOSED;
  - ROTATE ADJUSTMENT CAPSTAN CLOCKWISE BY USING EITHER HEX. KEY OR TENSION ADJUSTMENT ROD TO ACHIEVE PROPER SPRING TENSION FORCE AND THEN, INSERT TENSION STOPPER PIN INTO TENSION HOLE, AS SHOWN ABOVE;
  - REMOVE HEX. KEY OR TENSION ADJUSTMENT ROD AND TRY THE DOOR FOR CLOSING. TO ACHIEVE PROPER DOOR CLOSING FORCE, JUST MOVE TENSION STOPPER PIN FROM ONE HOLE INTO THE NEXT IN EITHER DIRECTION BY USING EITHER HEX. KEY OR TENSION ADJUSTMENT ROD.
- (D) RECOMMENDED HINGE SIZE AND DOOR SIZES

MAXIMUM DOOR SIZE RECOMMENDED:  
 2' -6" WIDE X 7' -0" HIGH FOR 3.5" HINGES IN HEIGHT  
 3' -0" WIDE X 7' -0" HIGH FOR 4" AND 4.5" HINGES IN HEIGHT

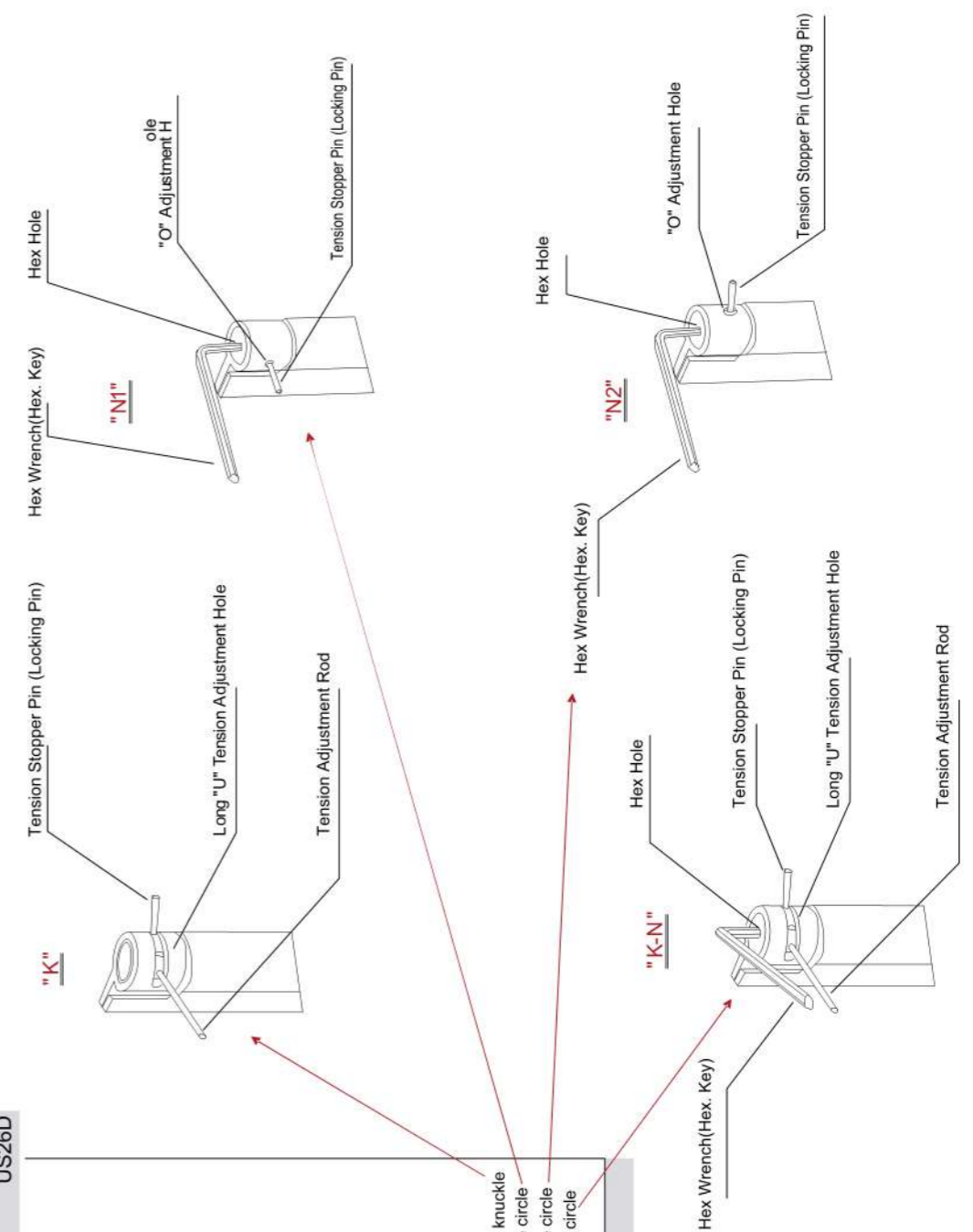
RECOMMENDED MAXIMUM DOOR WEIGHT(LBS.)			HINGE SELECTION	
HINGE OF 3.5" HIGH	HINGE OF 4.0" HIGH	HINGE OF 4.5" HIGH	SPRING HINGE	BUTT HINGE
40	50	60	1EACH	2EACH
60	75	95	2EACH	1EACH
80	100	120	3EACH	NONE

NOTE:  
 1)WIND CONDITIONS, EXCESSIVE AIR PRESSURE ON ONE SIDE OF AN OPENING, WEATHER STRIPPING OR OTHER ADVERSE JOB CONDITIONS MAY REQUIRE THE USE OF ALL SPRING HINGES;  
 2)FOR MAXIMUM VERSATILITY, USE ALL SPRING HINGES.

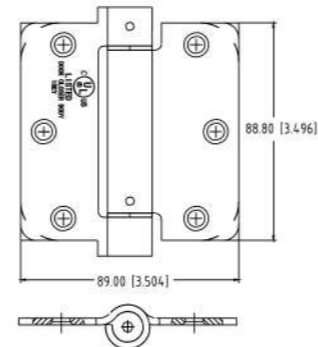
TENDENCY HINGE NUMBER SYSTEM

SPRING HINGES

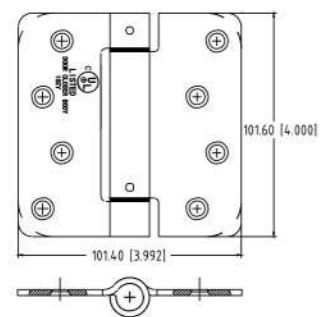
MODEL:	SPH	4545	34	K	US26D			
Hinge Type:	Spring Hinge							
Length and Width Size Examples:	3535	3.5"X3.5"	4030	4"X3"	4040	4"X4"	4545	4.5"X4.5"
Thickness Examples:	25	2.5mm	27	2.7mm	31	3.1mm	34	3.4mm
The Tension Adjustment Hole Design:	Only long "U" adjustment hole on the circle of the knuckle One Hex hole on the top and one "O" hole on the circle One Hex hole on the top and one "O" hole on the circle One Hex hole on the top and one "U" hole on the circle							
Finish Examples:	US26D(SC)	Satin Chrome Plated	US3(PB)	Polished Bright Brass Plated	US5(AB)	Antique Brass Plated		



- MATERIAL: STEEL (IRON)
- SPRING HINGES - 3 KNUCKLE



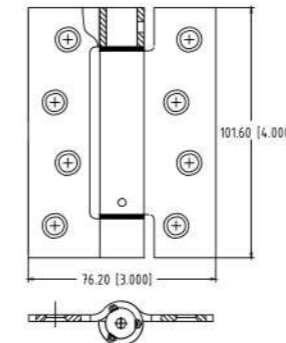
- MODEL: SPH3535**
- SPH353525K-N-1/4R-US26D (3.5"X3.5"X2.5mm)
  - SPH353525K (3.5"X3.5"X2.5mm)
  - SPH353525N (3.5"X3.5"X2.5mm)
  - SPH353527K-N-5/8R-US3 (3.5"X3.5"X2.7mm)
  - SPH353527K (3.5"X3.5"X2.7mm)
  - SPH353527N (3.5"X3.5"X2.7mm)



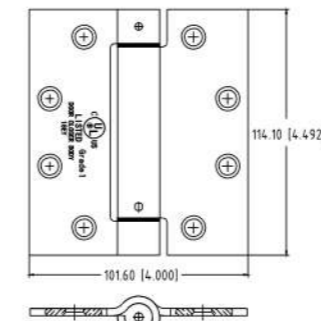
- MODEL: SPH4040**
- SPH404025K-N-1/4R-USP (4"X4"X2.5mm)
  - SPH404025K-N-5/8R-US10B (4"X4"X2.5mm)
  - SPH404025K-N-5/8R-US26D (4"X4"X2.5mm)
  - SPH404027N (4"X4"X2.7mm)
  - SPH404027K (4"X4"X2.7mm)
  - SPH404033K-N (4"X4"X3.3mm)



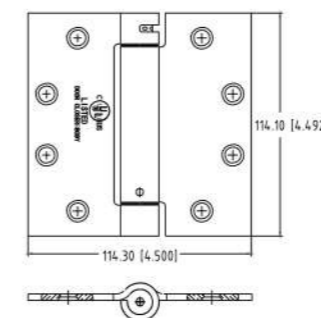
• SPRING HINGES - 3 KNUCKLE



- MODEL: SPH4030**
- SPH403027N1-US15 (4"X3"X2.7mm)
  - SPH403027K (4"X3"X2.7mm)
  - SPH403027K-N (4"X3"X2.7mm)



- MODEL: SPH4540**
- SPH454034N1-US15 (4.5"X4"X3.4mm)
  - SPH454034K-US26D (4.5"X4"X3.4mm)
  - SPH454034K-N (4.5"X4"X3.4mm)

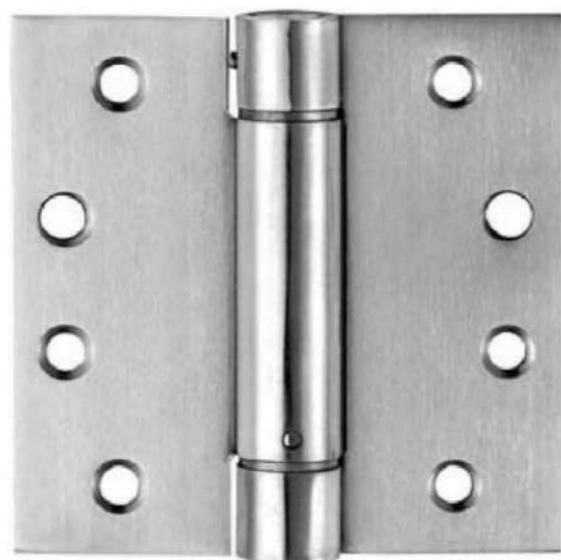


- MODEL: SPH4545**
- SPH454534K-N-US3 (4.5"X4.5"X3.4mm)
  - SPH454534K (4.5"X4.5"X3.4mm)
  - SPH454534N (4.5"X4.5"X3.4mm)



**TENDENCY**  
**TDC STAINLESS STEEL SPRING HINGES SS304**

- MATERIAL: STAINLESS STEEL - US32D/US32
- SPRING HINGES - 3 KNUCKLE



**MODEL: SPHS 3535**

- SPHS353525N (3.5"X3.5"X2.5mm)
- SPHS353525K (3.5"X3.5"X2.5mm)
- SPHS353525K-N (3.5"X3.5"X2.5mm)
- SPHS353527N (3.5"X3.5"X2.7mm)
- SPHS353527K (3.5"X3.5"X2.7mm)
- SPHS353527K-N (3.5"X3.5"X2.7mm)

**MODEL: SPHS 4040**

- SPHS404025N (4"X4"X2.5mm)
- SPHS404025K (4"X4"X2.5mm)
- SPHS404025K-N (4"X4"X2.5mm)
- SPHS404027N (4"X4"X2.7mm)
- SPHS404027K (4"X4"X2.7mm)
- SPHS404027K-N (4"X4"X2.7mm)

**MODEL: SPHS 4540/4545**

- SPHS454034N (4.5"X4"X3.4mm)
- SPHS454034K (4.5"X4"X3.4mm)
- SPHS454034K-N (4.5"X4"X3.4mm)
- SPHS454534N (4.5"X4.5"X3.4mm)
- SPHS454534K (4.5"X4.5"X3.4mm)
- SPHS454534K-N (4.5"X4.5"X3.4mm)

**MODEL: SAS001-3" / 4" / 5" / 6"**

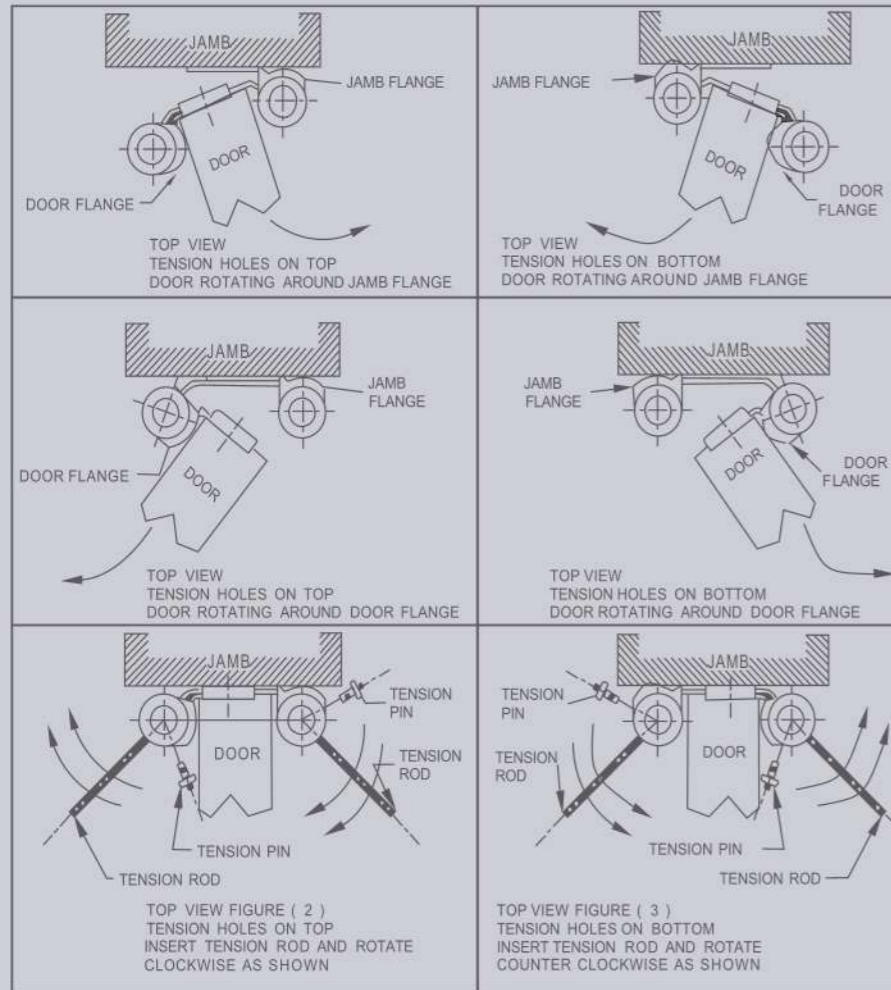
SAS001-3" (75X48X2.0mm) .....



**MODEL: SAS002**

SAS002 (60X54X2.0mm)





**DOUBLE ACTING SPRING HINGE**

**INSTALLATION INSTRUCTIONS**

1) Remove spring tension from each barrel by inserting tension rod into the tension adjustment hole, rotate in direction of the arrow, as shown in figure 2 or figure 3, and remove tension pin.

2) Align centerline of door with centerline of frame and secure the frame leaf.

For best alignment of double doors, mount hinges on one door with tension adjustment up, and down on the opposite door as shown in figure 1. shims may be necessary under the edges of the frame flanges for door alignment.

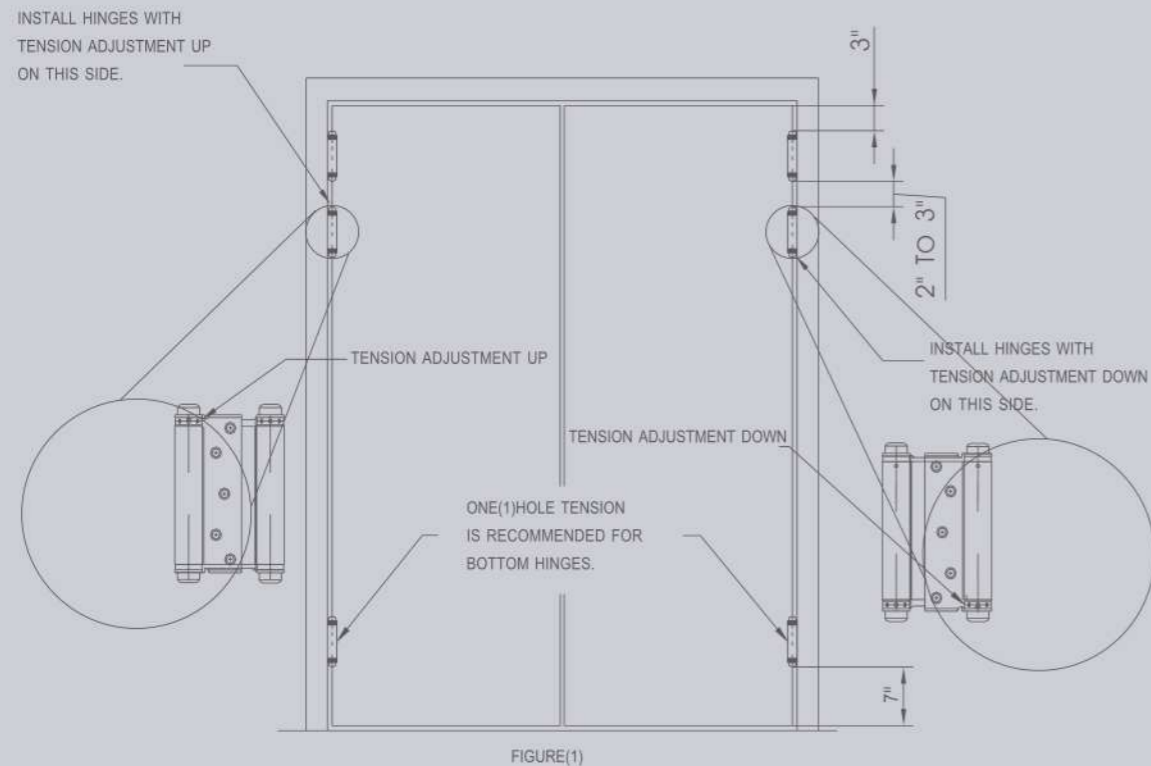
**SPRING TENSIONING INSTRUCTIONS**  
 DO NOT EXCEED FIVE(5) HOLES TENSION

1) Place door in closed position, wedge door up from floor until it is plumb.

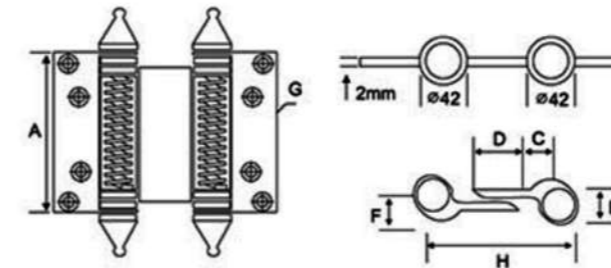
2) Insert tension rod into the tension adjustment hole, rotate in direction of arrow, as shown in figure 2 or figure 3. (Only one hole of tension is recommended for bottom hinges)

3) Insert tension pin, and remove the tension rod.

4) Increase tension on the top hinges if door sags or return action is too slow.

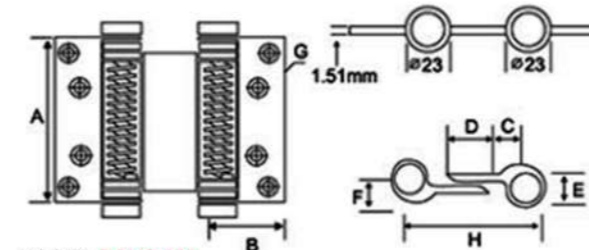


FIGURE(1)



MODEL: DSHS 003

MODEL NO:	SIZE (mm)							
	A	B	C	D	E	F	G	H
DSHS003-LB"	200	60	32	42	42	46	5.8	140



MODEL: DSHS 002

MODEL NO:	SIZE (mm)							
	A	B	C	D	E	F	G	H
DSHS002-3"	75	38	19	24	18	23	4.8	70
DSHS002-4"	100	48	19	26	18	23	5.5	70
DSHS002-5"	125	45	25	29	23	26	6.8	86
DSHS002-6"	150	45	25	29	23	26	6.8	86
DSHS002-8"	200	46	26	29	23	27	6	87
DSHS002-8B"	200	60	32	37	28	32	6	103



MODEL: DSH001

DSH001-4"-US1B  
 DSH001-5"-US3/4  
 DSH001-6"-US14



US1B

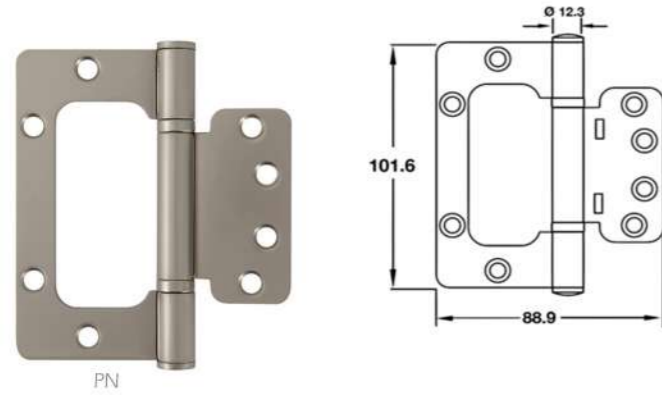


US3/4



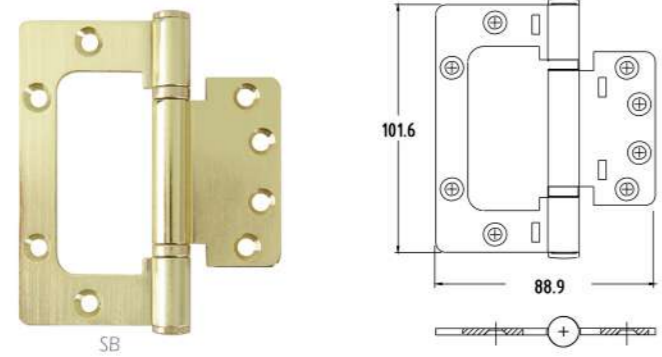
US14

- MATERIAL: STEEL (IRON)/STAINLESS STEEL
- NON MORTISE HINGES--3 KNUCKLE HINGES



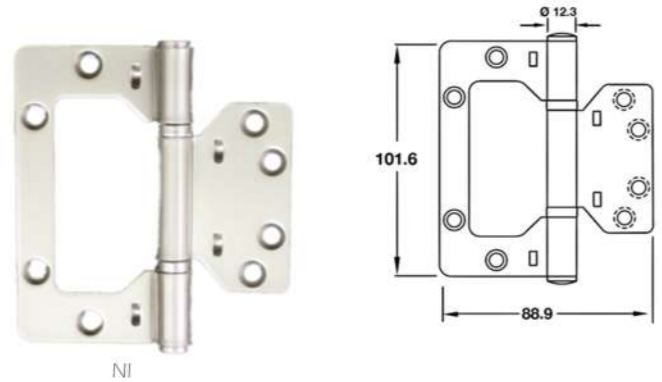
**MODEL: KSH001**

- KSH-4"X3.5"X2.5mm 2BB-Flat Head Pin
- KSH-4"X3.5"X2.5mm 2BB-Crown Head Pin
- KSH-4"X3.5"X2.7mm 2BB-Flat Head Pin
- KSH-4"X3.5"X2.7mm 2BB-Crown Head Pin



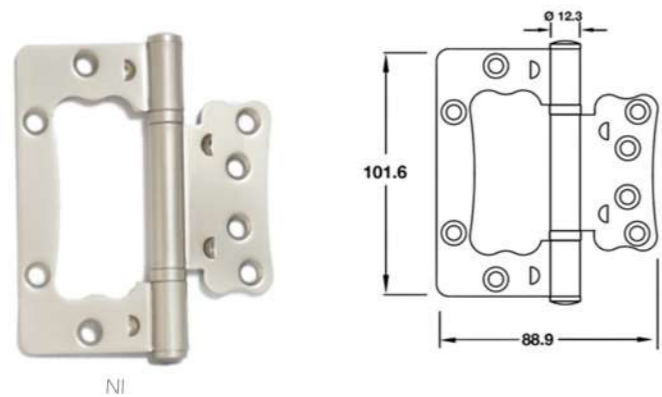
**MODEL: KSH002**

- KSH-4"X3.5"X2.5mm 2BB-Flat Head Pin
- KSH-4"X3.5"X2.5mm 2BB-Crown Head Pin
- KSH-4"X3.5"X2.7mm 2BB-Flat Head
- KSH-4"X3.5"X2.7mm 2BB-Crown Head Pin



**MODEL: KSH003**

- KSH-4"X3.5"X2.5mm 2BB-Flat Head Pin
- KSH-4"X3.5"X2.5mm 2BB-Crown Head Pin



**MODEL: KSH004**

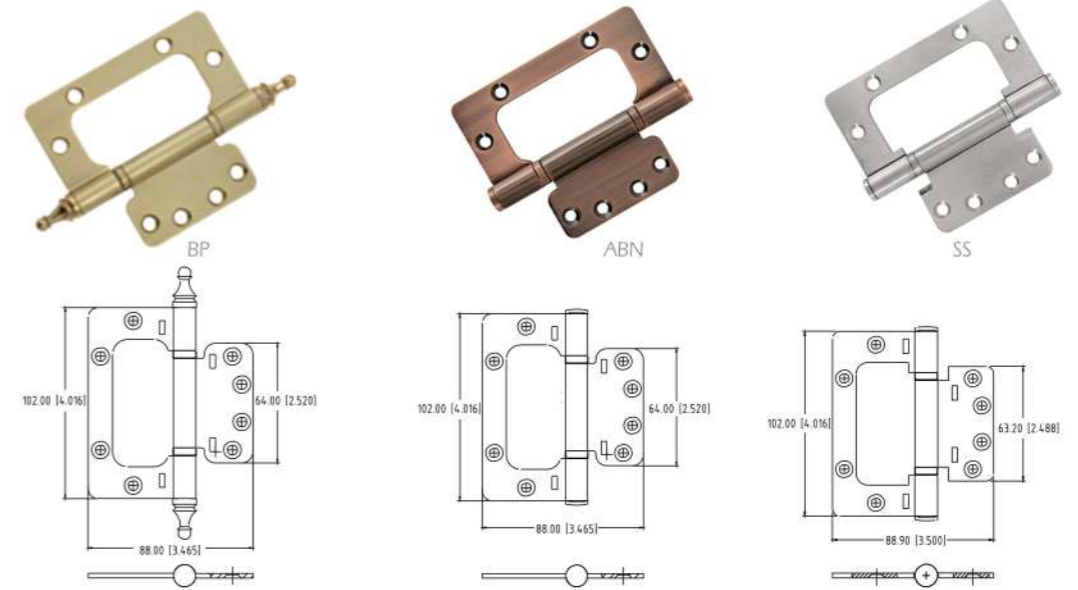
- KSH-4"X3.5"X2.5mm 2BB-Flat Head Pin
- KSH-4"X3.5"X2.5mm 2BB-Crown Head Pin

- NON MORTISE HINGES--3 KNUCKLE HINGES



**MODEL: KSH001 / KSH002**

- KSH-4"X3.5"X2.5mm 2BB-Flat Head Pin
- KSH-4"X3.5"X2.5mm 2BB-Crown Head Pin
- KSH-4"X3.5"X2.7mm 2BB-Flat Head Pin
- KSH-4"X3.5"X2.7mm 2BB-Crown Head Pin



**MODEL: KSH005**

- KSH-4.5"X3.5"X2.5mm 2BB-Flat Head Pin



Front



Reverse

- MATERIAL: STEEL (IRON)/STAINLESS STEEL
- FULL MORTISE HINGES--3 KNUCKLE HINGES

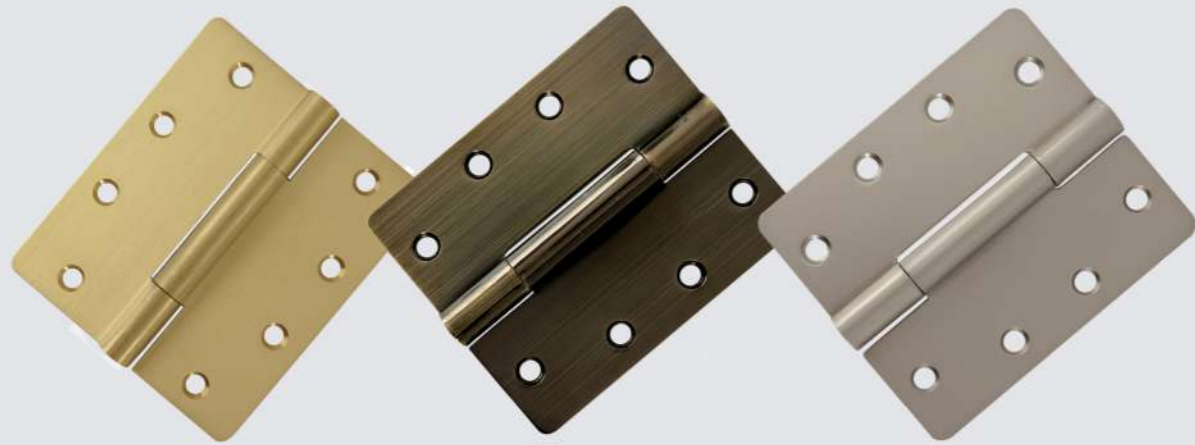


AN

**MODEL: KSH3001**

KSH-4"X3.5"X2.7mm  
 KSH-4"X3.5"X2.7mm

3 Knuckle-Without Flat Head Pin  
 2BB-3 Knuckle-Flat Head Pin



SB

ABR

PN

• 2 KNUCKLE HINGES



PN

SS

**MODEL: KSH2001**

KSH-4"X3.5"X2.7mm-1BB  
 KSH-4"X3.5"X2.7mm-1BB

Flat Head Pin-"L"(Left Hinge)  
 Flat Head Pin-"R"(Right Hinge)

- FULL MORTISE HINGES--5 KNUCKLE HINGES



SB



PN



WP



DB



WP/WT



PN



PN

**MODEL: KSH5001**

KSH-4"X4"X2.7mm 2BB-Flat Head Pin  
 KSH-4"X4"X2.7mm 2BB-Crown Head Pin  
 KSH-4"X3.5"X2.7mm 2BB-Flat Head Pin  
 KSH-4"X3"X2.0mm 2BB-Flat Head Pin  
 KSH-4"X3"X2.0mm 2BB-Crown Head Pin