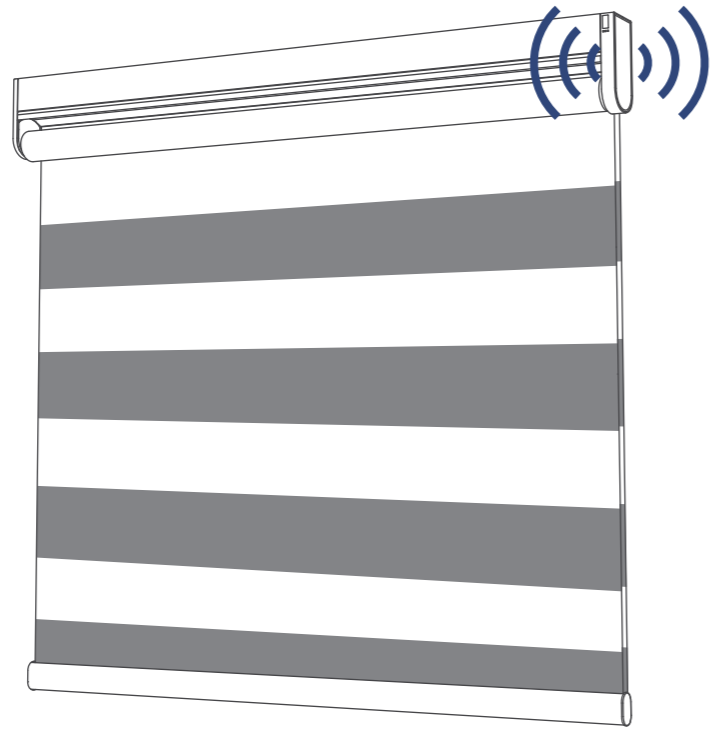
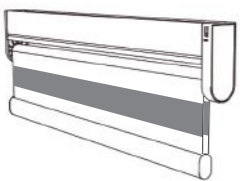
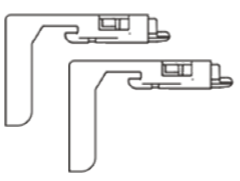




Motorized Zebra Blind Series

INSTALLATION INSTRUCTIONS



Details of Parts Included in Package

<p>A 1 x Motorized Shade</p> 	<p>B 2 x Brackets</p> 
<p>C 4 x Screws</p> 	<p>D 1 x Emitter</p> 



NOTICE

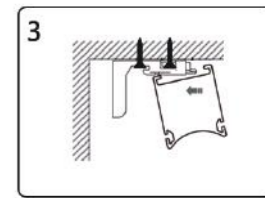
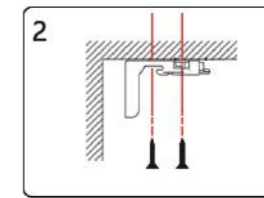
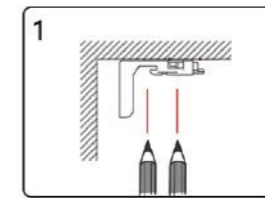
Thank you for purchasing our products.

Please read the installation instructions carefully.
 The brackets and screws apply to the wooden window frames, plasterboard walls and concrete walls. But they can not be installed on the ceiling.
 The product is only suitable for indoor use, not for outdoor use.
 Please do not use the product in a high heat or humid environment (such as saunas or furnace), or near an open flame.
 If you have any questions, please contact with us at any time: allesin@yeah.net



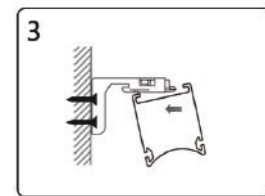
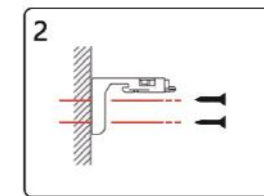
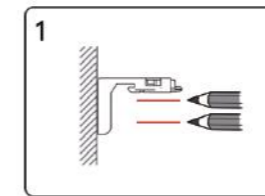
How to install

Inside Mount



1. Decide on and mark the position of the two brackets with a pencil, using pencil marks as a guide, start the screw hole by drilling.
2. Install the two brackets to the window frame with screws or to the inner upper wall.
3. Hook the headrail of the shade into the front of the bracket. Rotate the headrail until the back of it securely snaps into place (When you hear "Click").

Outside Mount


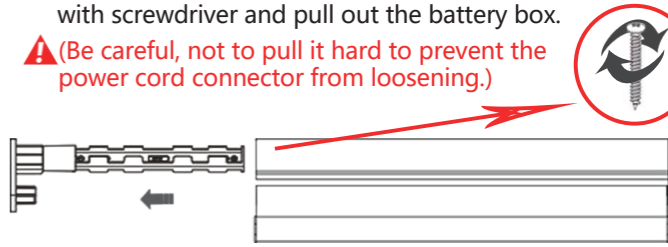
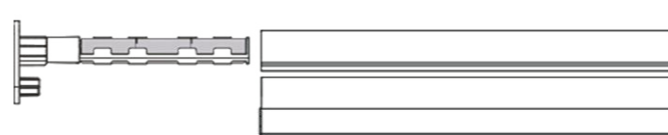
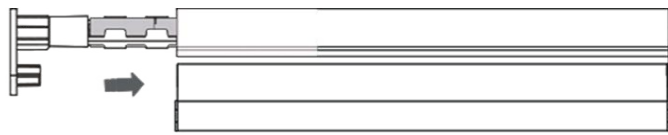


1. Decide on and mark the position of the two brackets with a pencil, using pencil marks as a guide, start the screw hole by drilling (wood, plasterboard and concrete surfaces only); There are two mounting holes on each bracket. It can be installed by one screw. If you want to install more firmly, you can also install two screws.
2. Install the two brackets to the window frame with screws or to the outer wall;
3. Hook the headrail of the shade into the front of the bracket. Rotate the headrail until the back of it securely snaps into place (When you hear "Click").



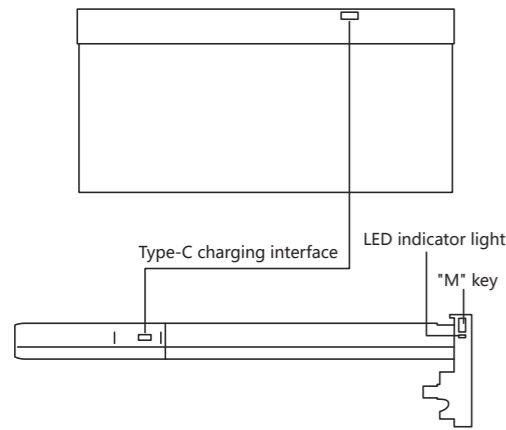
Install the battery

1. Battery Version

<p>1. Roll up the blinds, lay it flat on the table.</p> 	<p>2. Unscrew the screw on the left side of the motor with screwdriver and pull out the battery box. ⚠ (Be careful, not to pull it hard to prevent the power cord connector from loosening.)</p> 
<p>3. According to the battery box tips, correctly install 6 AA dry batteries.</p> 	<p>4. Install the battery box into the upbeam and install the blinds.</p> 

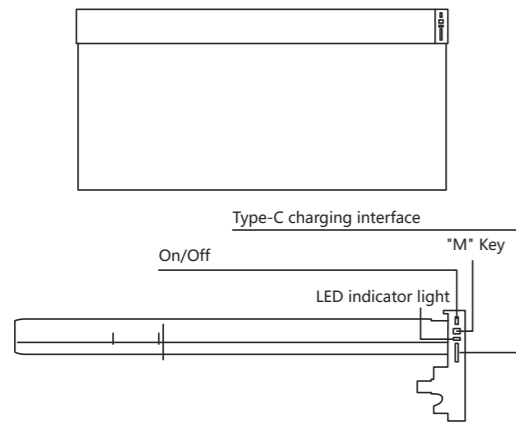
2.Rechargeable version(Lithium Battery)

2-1 (Width<=47" & Height<=78 1/2")



This motor is equipped with built-in lithium batteries and does not require external power supply. Before using the motor for the first time, please fully charge the motor once. During the process of charging, the LED charging light on the motor flashes red. When the batteries are fully charged, the LED will turn pure red and the motor is ready for use. Use the separately available cable(Type-C port at one end, USB port at one end) with three meters length. Connect the cable to the Type-C port on the motor. You can charge the motor with any commercially available Type-C power supply.

2-2 (Width>47" OR Height>78 1/2")



This motor is equipped with built-in lithium batteries and does not require external power supply. Before using the motor for the first time, please fully charge the motor once. During the process of charging, the LED charging light on the motor flashes red. When the batteries are fully charged, the LED will turn pure red and the motor is ready for use. Use the separately available cable(Type-C port at one end, USB port at one end) with three meters length. Connect the cable to the Type-C port on the motor. You can charge the motor with any commercially available Type-C power supply.

Advanced Settings

"admin" mode

Emitter channel shows slow flash

1.Motor reversing

The running direction of the blinds is oppsite to what shows on the emitter button.

Method 1

- ▲ Press both together until the motor rotates once
- ▼

2.Delete emitter matches

- (1)The swich selects "admin" mode.
- (2)Press "S" 5 times, motor, rotates once, the match is deleted.

"user" mode

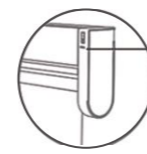
In user mode,you can operate and use this product normally without worrying about any misoperation to the motor.

Add a new emitter

A motor can match one or more emitters
Emitters need to be matched. See "emitter quick matching"

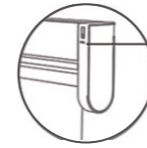
There's a quick way to copy it

- (1)The switch selects "user" mode.
- (2)Operate mached emitter(Select the channel you want to copy). Press "S" 1 time, motor rotates once. Press "S" 1 time again, motor rotates once.
- (3)Operate emitter to be added(Select the channel you want to add). Press "S" 1 time, motor rotates once. Copy complete. Repeat 1-2, delete emitter.



Motor "M" Key

OPERATION	THE MOTOR FEEDBACK	FUNCTION
repeated short press	Turn-Stop-Turn-Stop Circular motion	emergency use in case of travel
press for 2"	motor rotates once	the motor enters the matching state
press for 5"	motor rotates twice	/
press for 10"	motor rotates three times	motor reversing
press for 15"	motor rotates four times	restore the factory

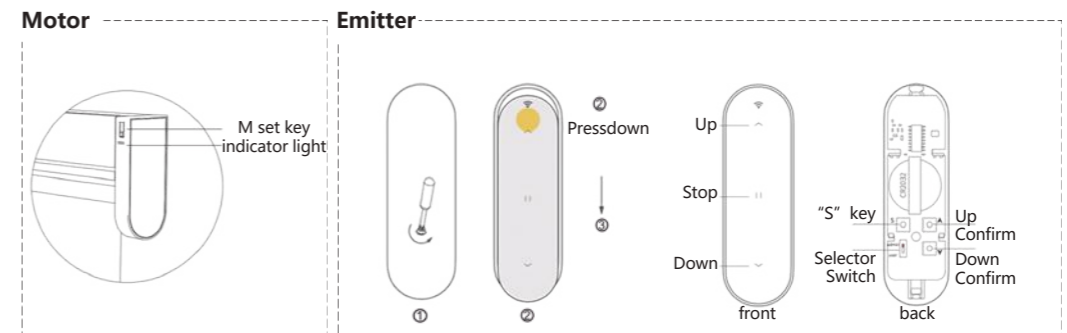


Motor Indicator Light

Indicator Status	Reason
slow flash	low battery warning



Function Key Description



Quick Matching

STEP 1: (1)Battery Version-Install the dry battery.

OR (2)Rechargeable Version-Make sure the motor is energized.

STEP 2: Press the motor "M" button for 2", the motor rotates back and forth once. The motor enters the matching state(Valide for 60 seconds).

STEP 3: The switch selects "admin" mode.

STEP 4: Long press "S" for 2", the motor will rotate back and forth once. Match successfully.

▲ The running direction of the blinds is opposite to that of the emitter button. Refer to "motor reversing".



"admin" mode

STEP 1: Set Highest Point

Use the button on the front to adjust the shade at the position you want. Press ▲ for 2", the motor rotates once. This position is set as the highest point.

STEP 2: Set Lowest Point

Use the button on the front to adjust the shade at the position you want. Press ▼ for 2", the motor rotates once. This position is set as the lowest point.

▲ In "admin" mode, you can switch between inching operation and continuous operation, to adjust it more accurately. Press 1 time, the shades will be in inching operation. Press 2 times, the shades will be in continuous operation.