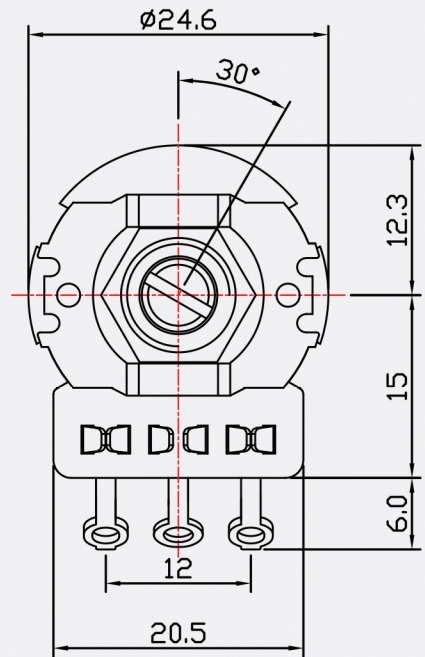
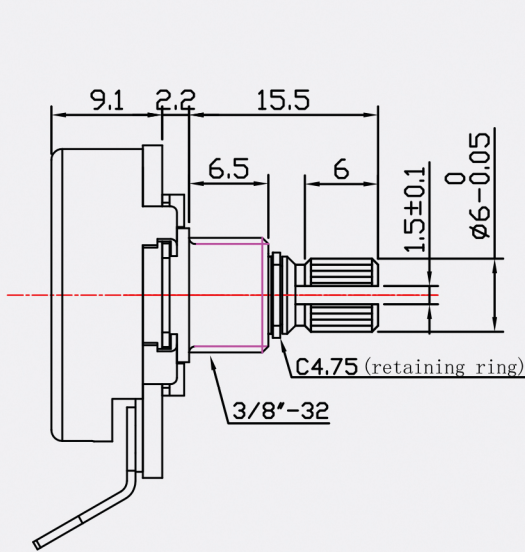


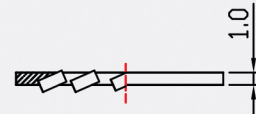
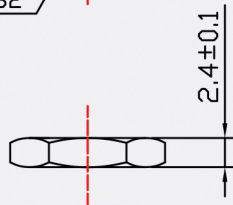
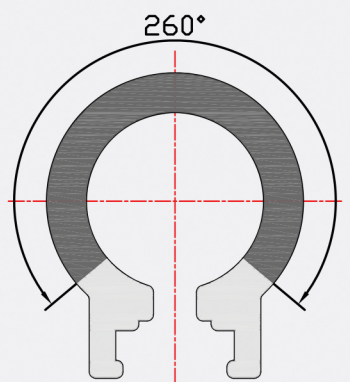
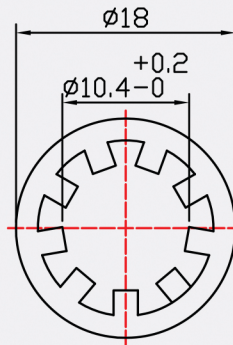
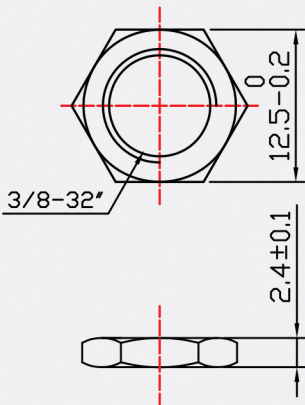
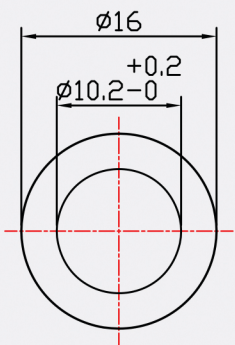


AXLABS
GUITAR HARDWARE

AX-L500-S / AX-A500-S / AX-L250-S / AX-A250-S
SHORT 5/8" LENGTH, SPLIT 3/8" SHAFT



SHAFT SHOWN IN FULL
C.C.W. POSITION



| TOLERANCE | SCALE |
|-------------------|-----------|
| less than 10 ±0.3 | 1.5:1 |
| above 10-30 ±0.5 | DIMENSION |
| above 30-100 ±1.0 | mm |