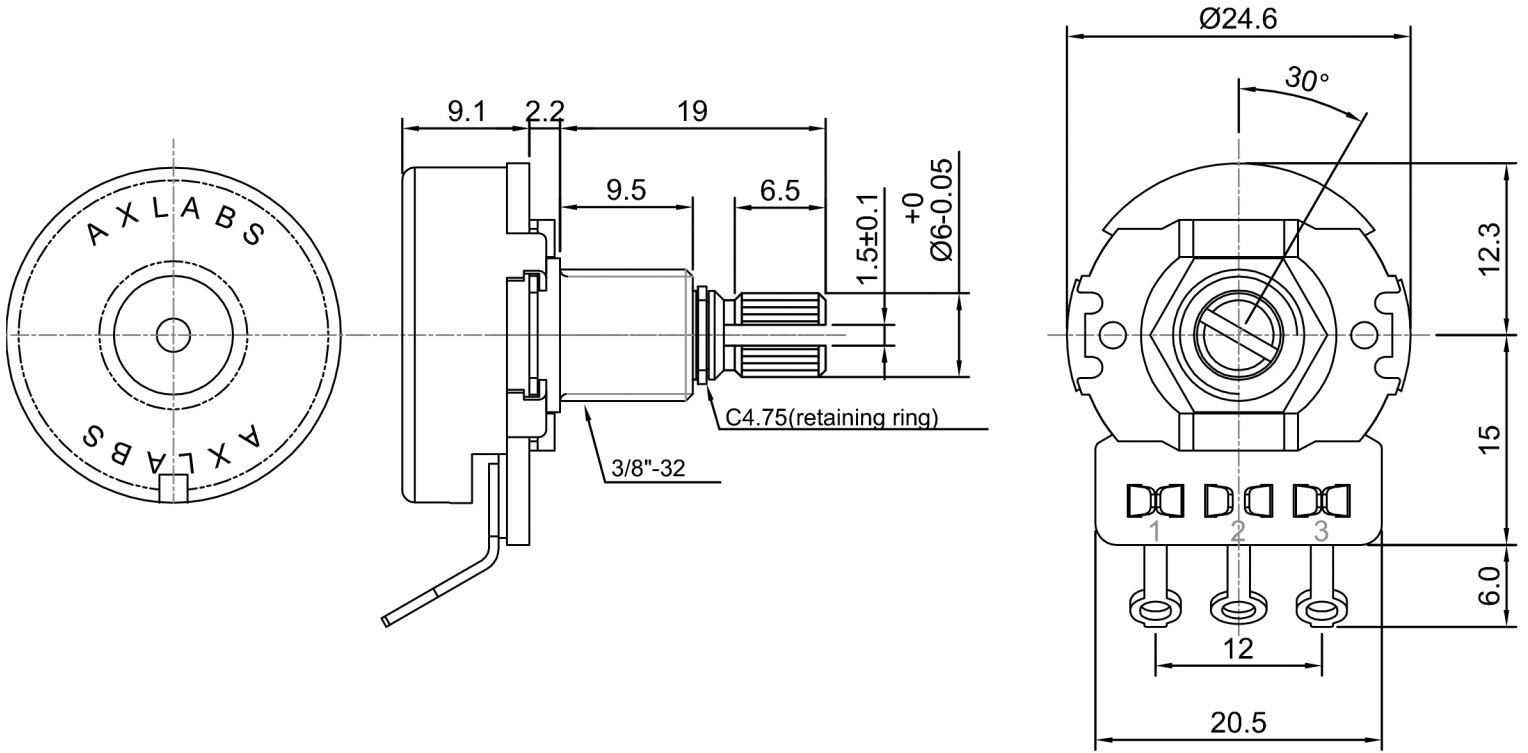
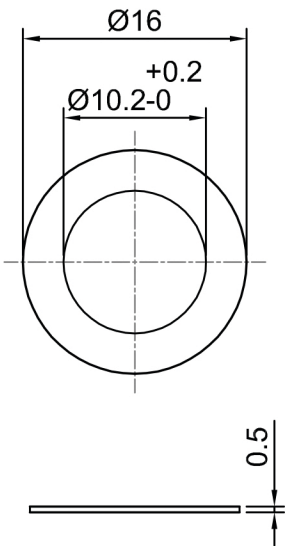


AX-L500-M / AX-A500-M / AX-L250-M / AX-A250M
MEDIUM 3/4" LENGTH, SPLIT 3/8" SHAFT



SHAFT SHOWN IN FULL C.C.W. POSITION



NOTE: NUT & WASHERS
CONDUCTIVE NICKEL PLATE

