

# HDx1.4

Item No: 600000000059

The HDx1.4 adapts B4 mount video lenses to cover a single sensor Super16, magnifying the image slightly and correcting for the lack of a prism.

This allows a coverage of 1080p on the following cameras with a light loss of just one stop: Phantom Flex 4K, 2K, Sony F5 or F55, Blackmagic Pocket Cinema camera and others.

Like the HDx35 Mark III and HDx2 Mark II the HDx1.4 uses our Universal Mount System (UMS), so the mount can be switched in the field between PL, Sony E, Canon EF, Micro 4/3 and Nikon F.

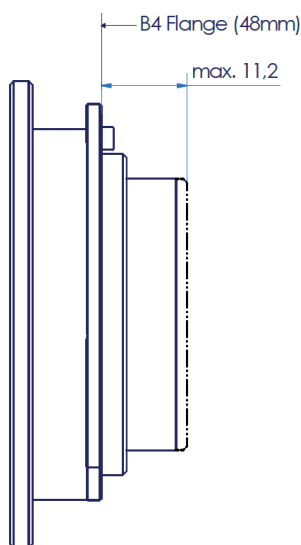


## TECHNICAL DATA

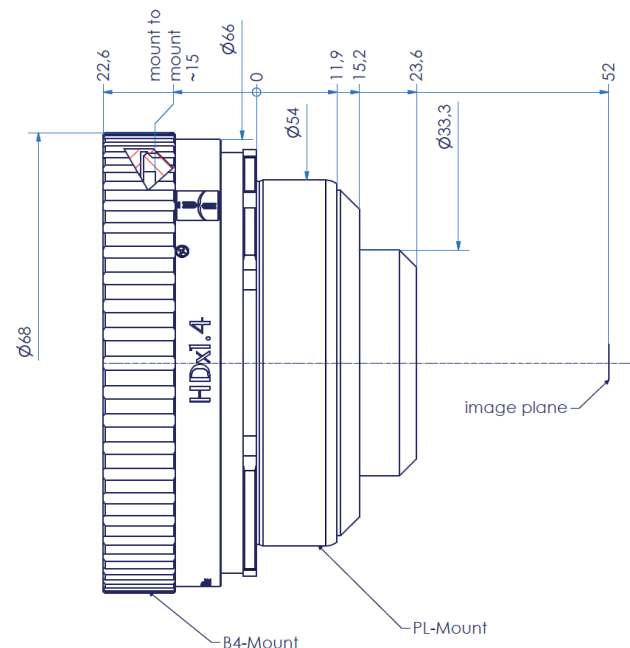
Max. image diameter (mm)*	16.0/ 15.4
Magnification	x1.4
Max. input T-Stop	1.9
Light drop (stops)	1.0
Lens Mount	B4 2/3"

Camera Mount	PL UMS Mount
Diameter (mm)	68.0
Length (mm) B4 to PL	15.0
Weight (kg)	0.3

\* DEPENDING ON MAX. IMAGE DIAMETER OF INPUT LENS



ill. 1: max. measurements of input lens



ill. 2: dimensional drawing

