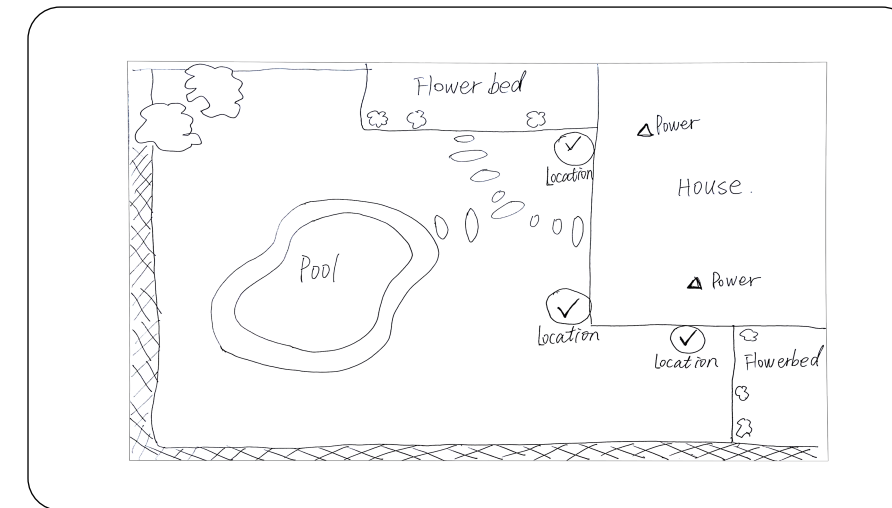
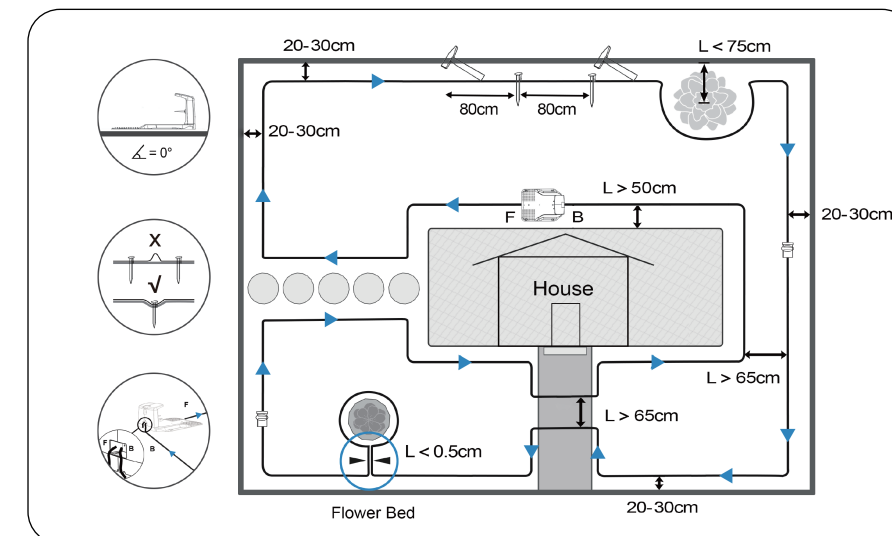


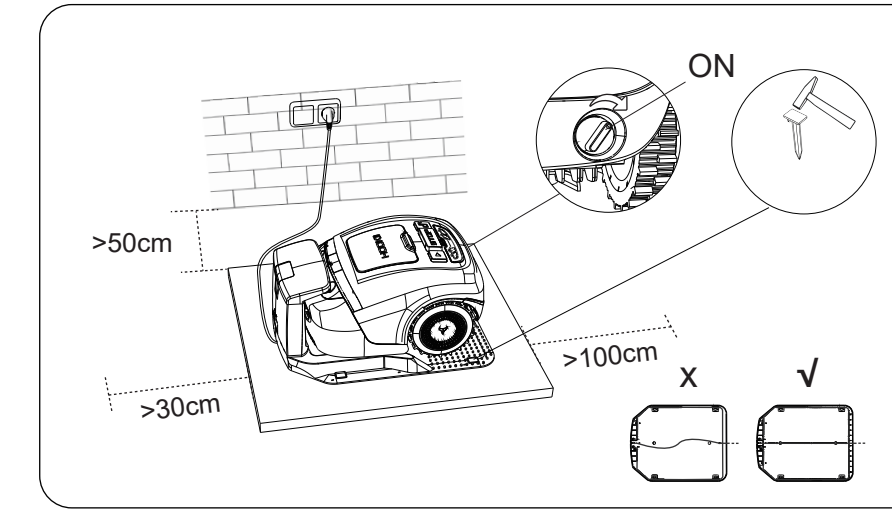
1. Periodically inspect the area where the machine is to be used and remove all stones, sticks, mains cables, bones and other foreign objects. If there are any potholes or bumps in the lawn, please fill /shovel them in.



2. Sketch your lawn area. Identify and mark any objects that are to be excluded from the cutting area such as trees, flower beds, ponds, which will help with the wire layout. Mark a power socket and choose a suitable and flat location for the charging station.



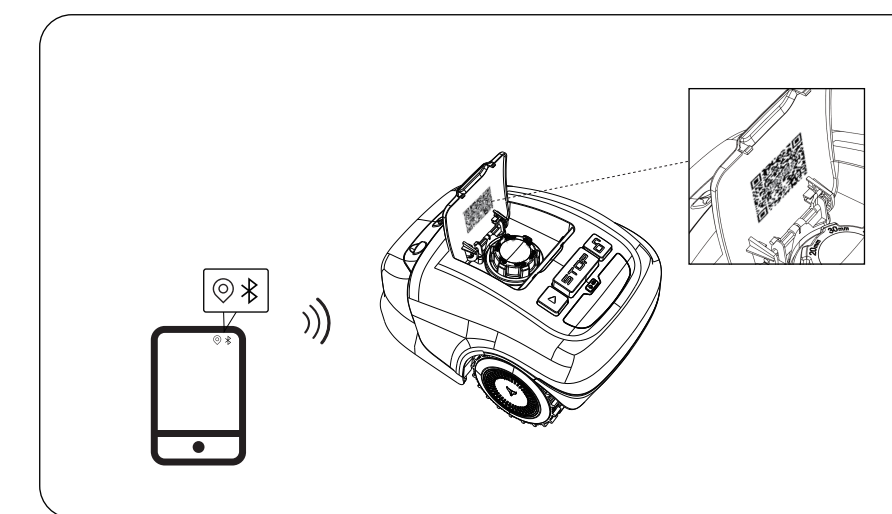
3. Install the boundary wire clockwise and connect the wire to the charging station. (Note: Please refer to the picture for more details)



4. Install the charging station with the nails, and feed the power supply cable into the charging station. Switch the ON/OFF key to on, then place the mower on the charging station to charge.



5. Search HOOKII in the app store or scan the QR code to download the app. Register your account and log in to.



6. Turn on your phone's Bluetooth and location services, scan the QR code on the machine to connect.