

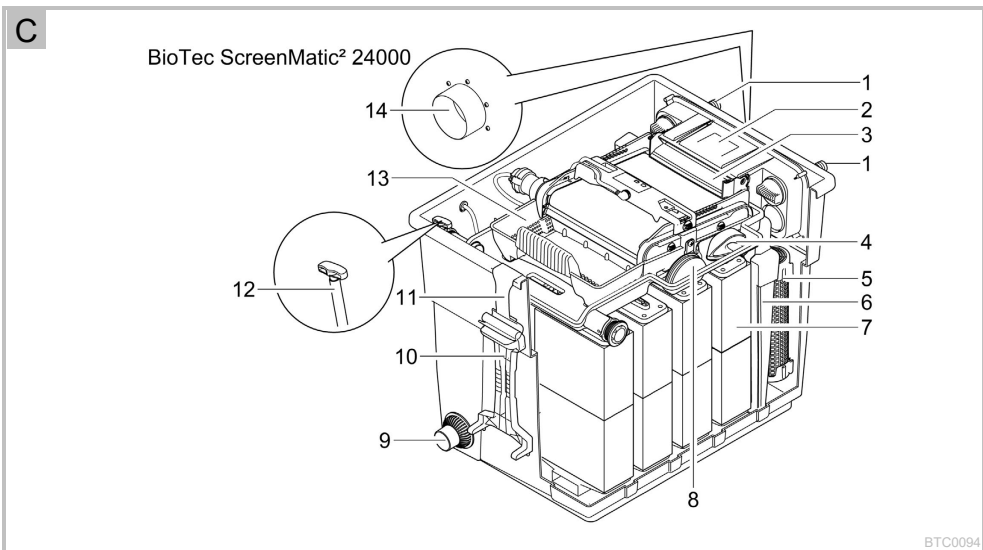
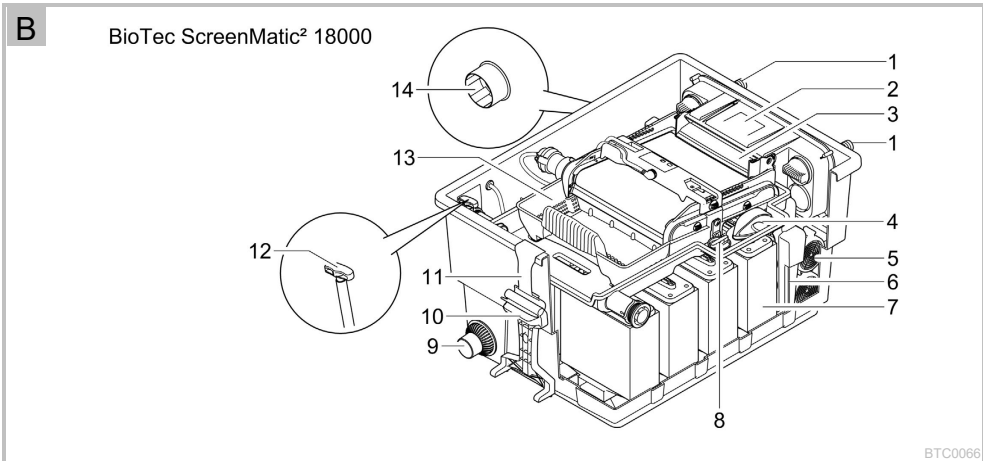
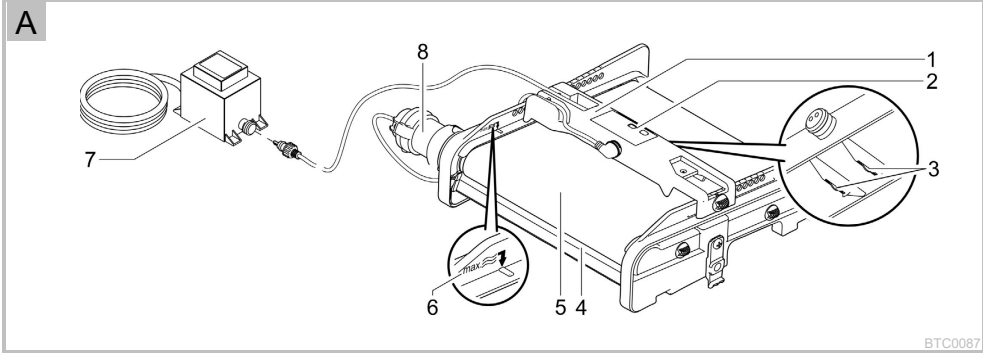
# Oase



## BioTec ScreenMatic<sup>2</sup>

18000, 24000, 38000

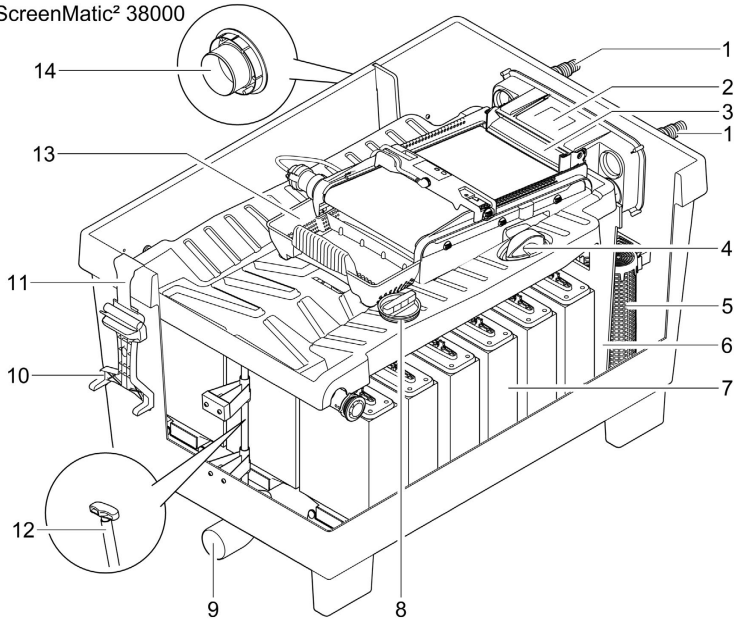
EN Operating instructions  
FR Notice d'emploi  
ES Instrucciones de uso





**D**

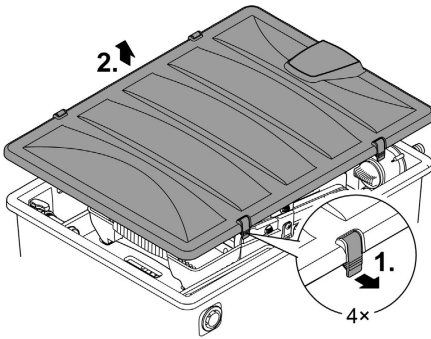
BioTec ScreenMatic<sup>2</sup> 38000



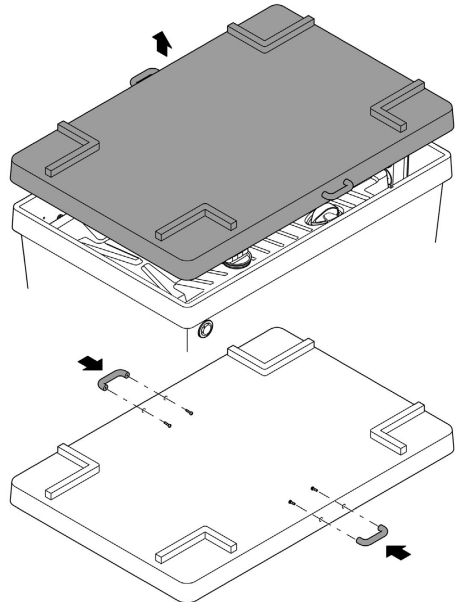
BTC0067

**E**

BioTec ScreenMatic<sup>2</sup> 18000/24000



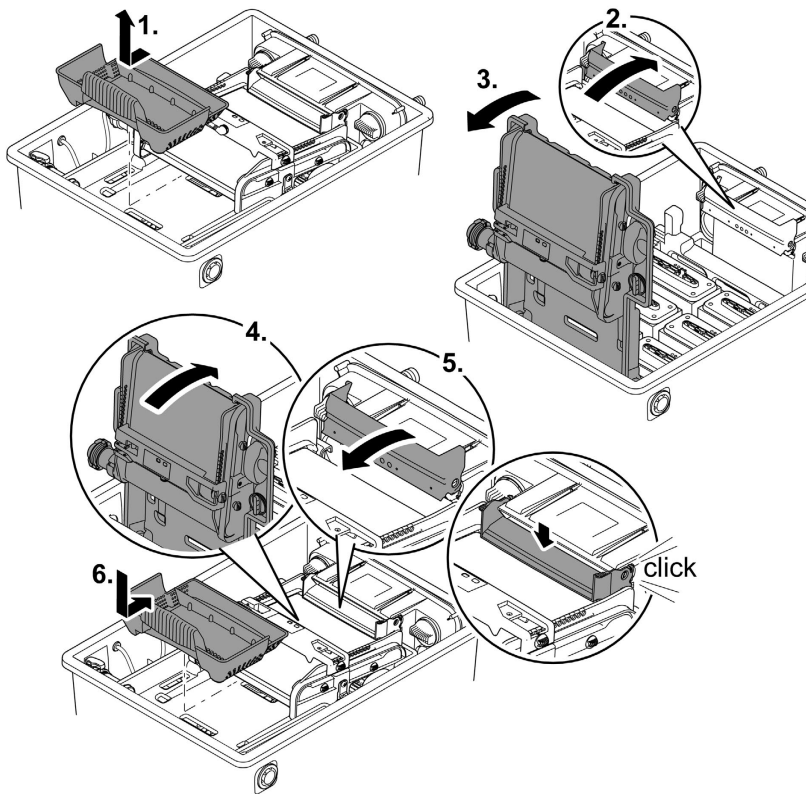
BioTec ScreenMatic<sup>2</sup> 38000



BTC0095



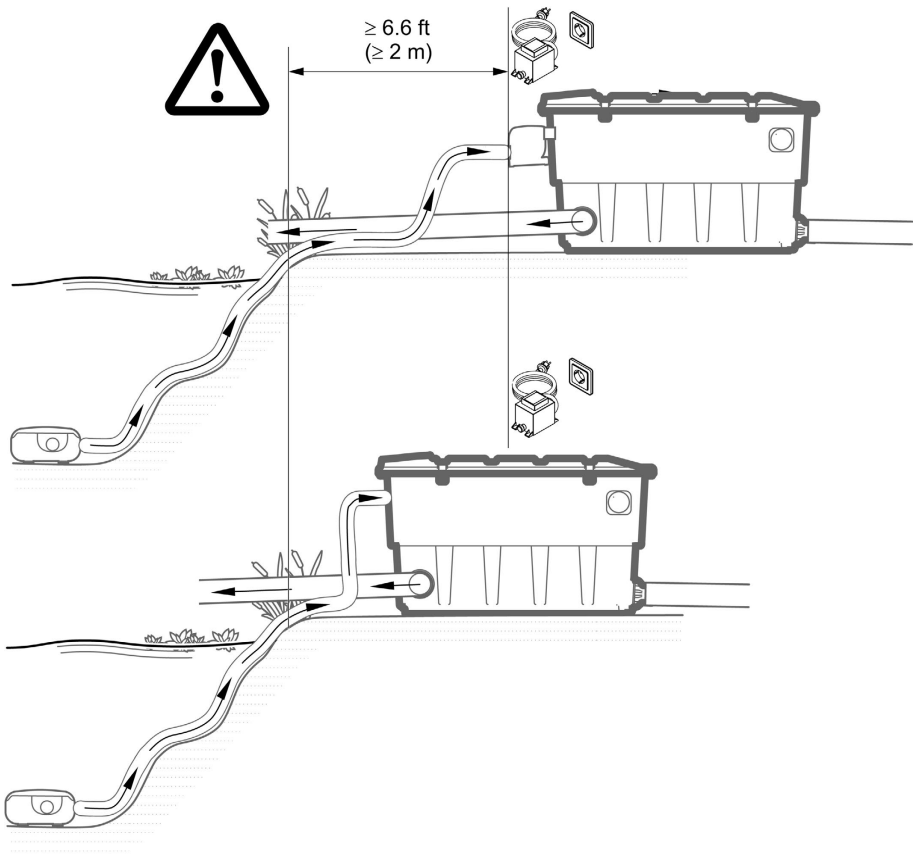
F



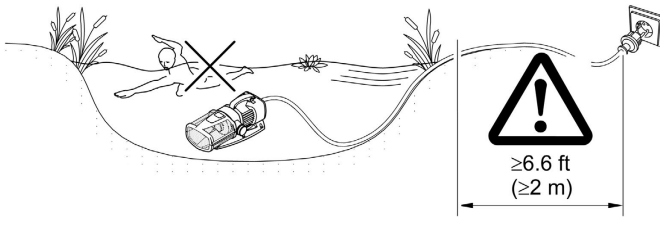
BTC0052



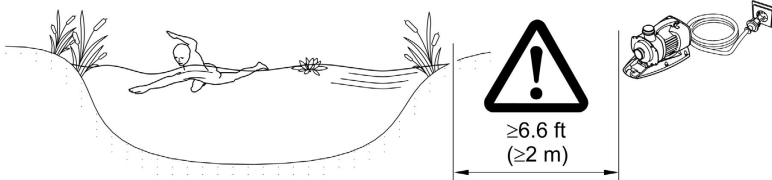
G



H



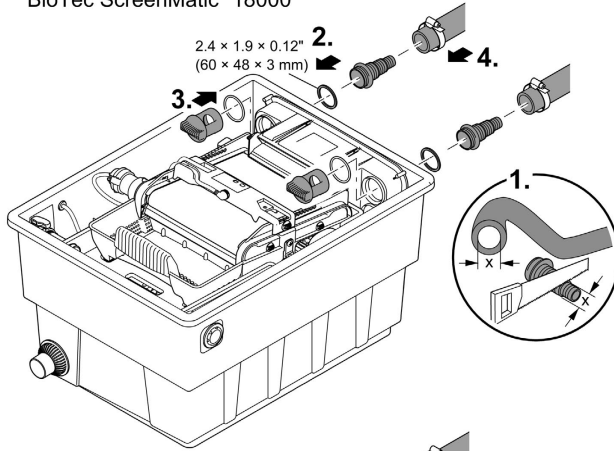
I



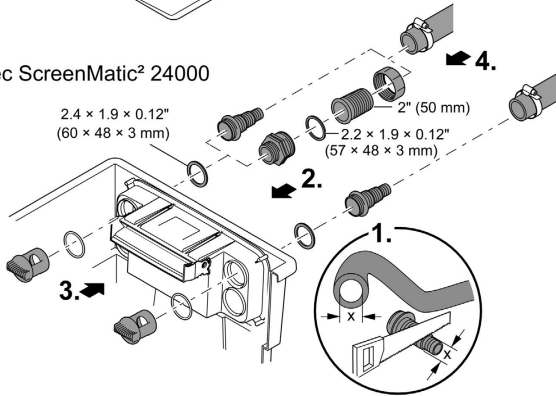


J

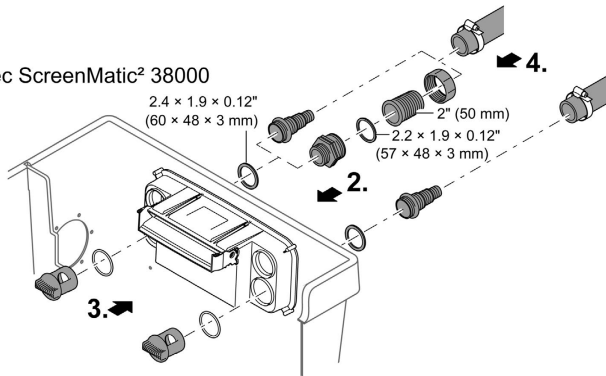
### BioTec ScreenMatic<sup>2</sup> 18000



### BioTec ScreenMatic<sup>2</sup> 24000



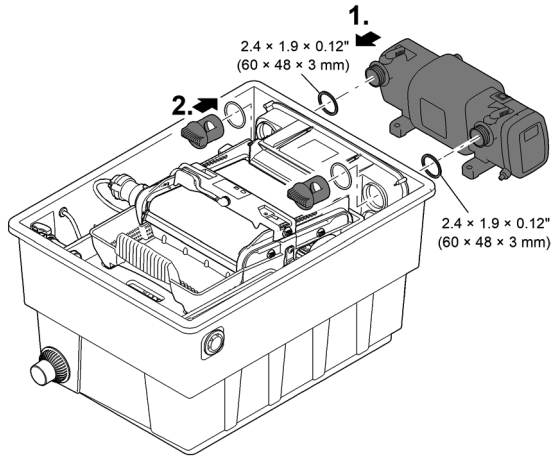
### BioTec ScreenMatic<sup>2</sup> 38000



BTC0096



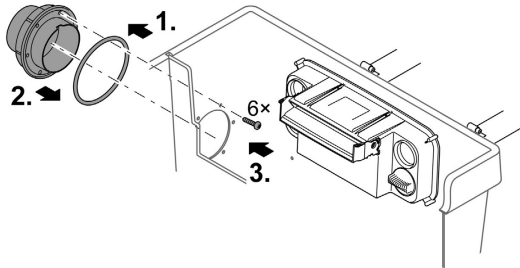
**K**



BTC0104

**L**

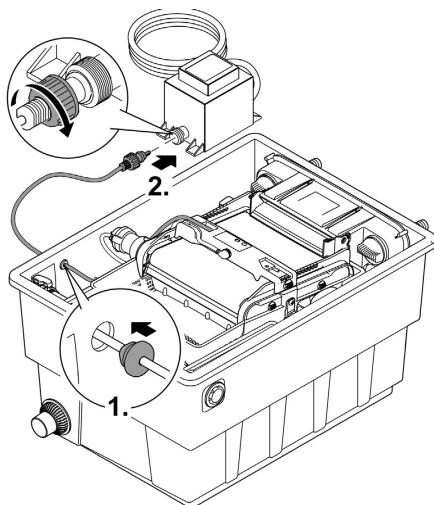
BioTec ScreenMatic<sup>2</sup> 38000



BTC0072

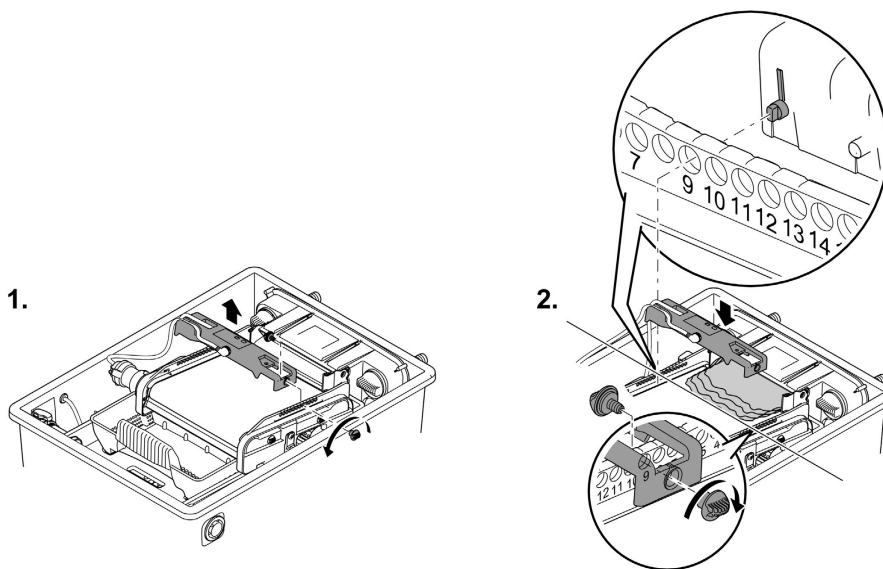


M



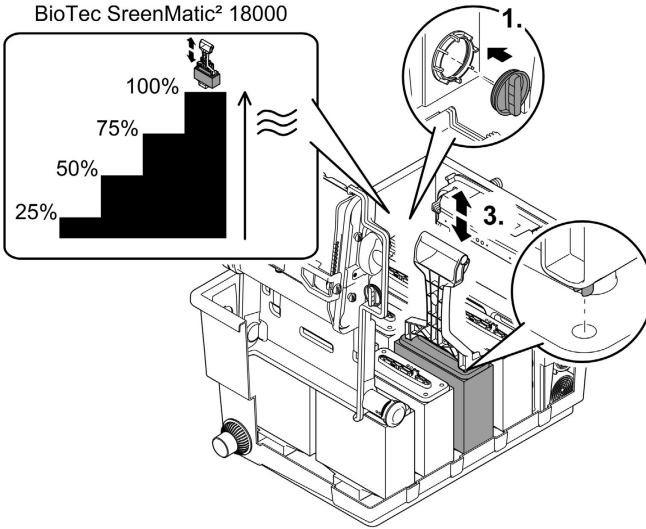
BTC0097

N

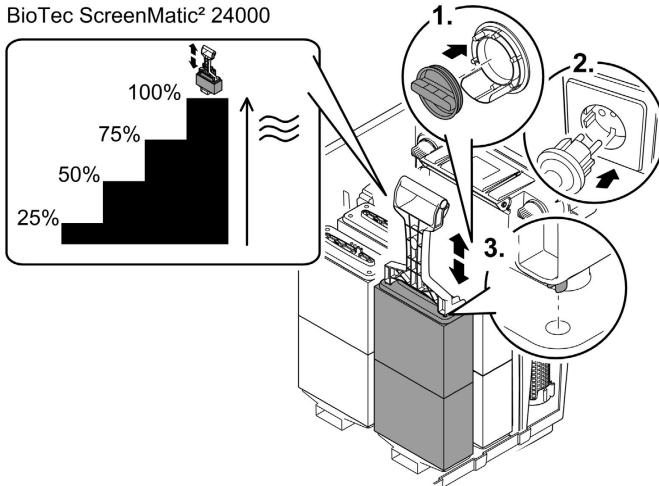


BTC0062



**O****BioTec SreenMatic<sup>2</sup> 18000**

BTC0073

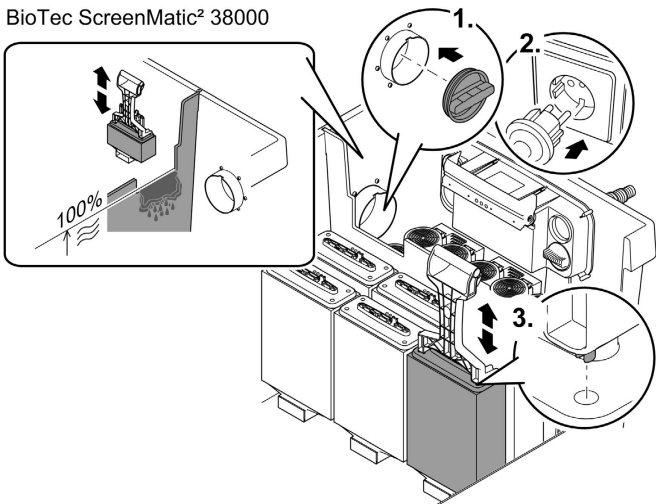
**P****BioTec ScreenMatic<sup>2</sup> 24000**

BTC0099



Q

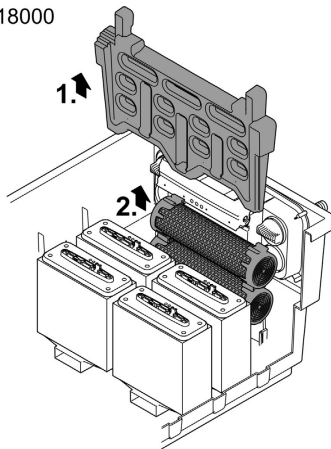
BioTec ScreenMatic<sup>2</sup> 38000



BTC0098

R

BioTec ScreenMatic<sup>2</sup> 18000

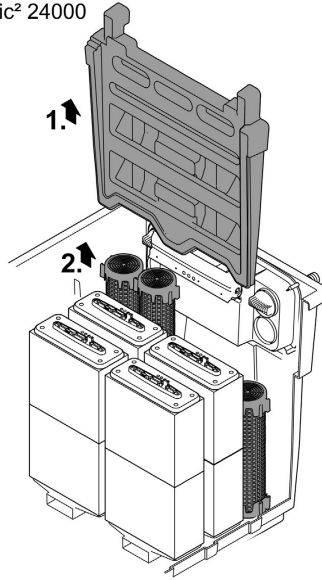


BTC0100



S

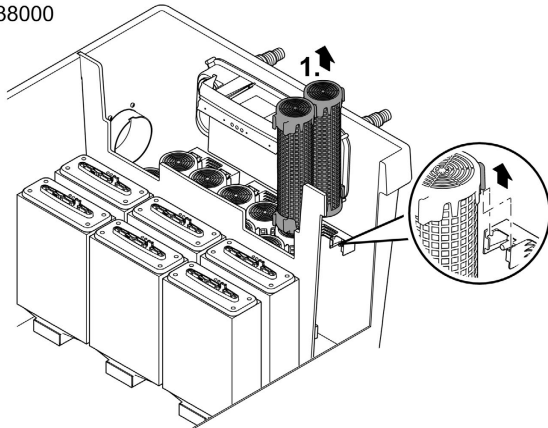
BioTec ScreenMatic<sup>2</sup> 24000



BTC0101

T

BioTec ScreenMatic<sup>2</sup> 38000

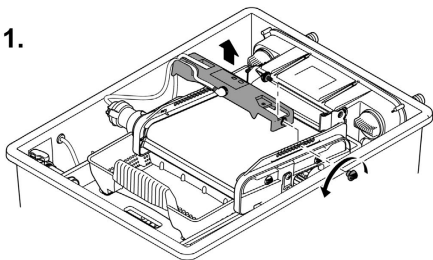


BTC0102



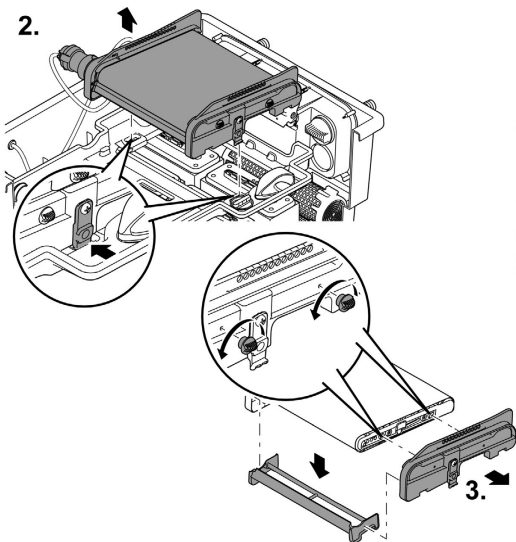
U

1.



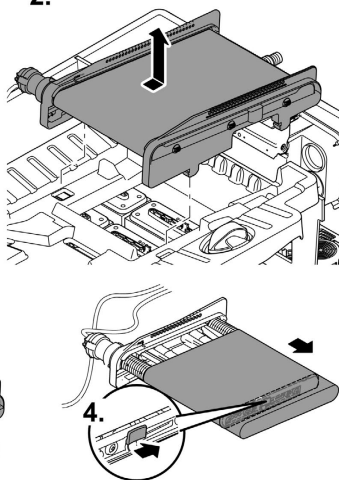
BioTec ScreenMatic<sup>2</sup> 18000/24000

2.



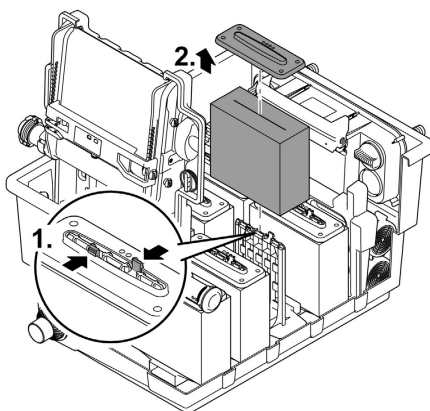
BioTec ScreenMatic<sup>2</sup> 38000

2.



BTC0103

V



BTC0054

**Table of Contents**

1	Information about this operating manual .....	14
1.1	Symbols used in these instructions.....	14
1.1.1	Warnings.....	14
1.1.2	Additional information.....	14
2	Product Description .....	14
2.1	Unit configuration .....	14
2.2	Properties .....	15
2.3	Intended use.....	15
2.4	Possible incorrect use .....	15
2.5	Accessing the unit .....	16
2.5.1	Opening the container .....	16
2.5.2	Hinging the screen holder up/down.....	16
3	Installation and connection .....	16
3.1	Installation planning.....	16
3.1.1	Optimum ambient and operating conditions.....	16
3.1.2	Distance from the water.....	17
3.1.3	Protective measures for swimming ponds .....	17
3.2	Connecting the inlet.....	17
3.3	Connecting a UVC clarifier .....	18
3.4	Connecting the outlet .....	18
3.5	Connecting the dirt outlet .....	18
3.6	Carry out the electrical connection.....	18
4	Commissioning/start-up .....	19
4.1	Biological filter starter .....	19
4.2	Order of starting up steps.....	19
4.3	Aligning the control device .....	20
5	Operation.....	20
5.1	Operating panel .....	20
5.2	Manual cleaning .....	21
5.3	Automatic cleaning.....	21
5.4	Time-dependent cleaning.....	21
5.5	System messages .....	22
6	Remedy of faults .....	22
7	Maintenance and cleaning .....	23
7.1	Regular cleaning work.....	23
7.2	Cleaning foam filters.....	23
7.3	Cleaning/replacing the substrate tubes.....	24
7.4	Cleaning/replacing the ScreenMatic screen .....	25
7.5	Replacing foam filters.....	25
8	Storage/overwintering .....	26
9	Wear parts.....	26
10	Disposal.....	26
11	Technical data .....	27
	Spare parts.....	57

Translation of the original Operating Instructions

## 1 Information about this operating manual

Welcome to OASE Living Water. You made a good choice with the purchase of this product **BioTec ScreenMatic<sup>2</sup> 18000/24000/38000**.

Prior to commissioning the unit, please read the instructions of use carefully and fully familiarise yourself with the unit. Ensure that all work on and with this unit is only carried out in accordance with these instructions.

Adhere to the safety information for the correct and safe use of the unit.

Keep these instructions in a safe place! Please also hand over the instructions when passing the unit on to a new owner.

### 1.1 Symbols used in these instructions

#### 1.1.1 Warnings

The warning information is categorised by signal words, which indicate the extent of the hazard.



#### WARNING

- Indicates a possibly hazardous situation.
- Non-observance may lead to death or serious injuries.



#### NOTE

Information for the purpose of clarification or for preventing possible damage to assets or to the environment.

#### 1.1.2 Additional information

- A Reference to a figure, e.g. Fig. A.
- Reference to another section.

## 2 Product Description

### 2.1 Unit configuration

<input type="checkbox"/> A	<b>ScreenMatic rotating screen unit</b>
1	Control device
2	Operating panel
3	Sensor underneath the control device <ul style="list-style-type: none"> <li>• When the sensor comes into contact with the water on the ScreenMatic screen, an automatic cleaning process is triggered.</li> </ul>
4	Stripper <ul style="list-style-type: none"> <li>• scrapes the debris from the ScreenMatic screen and conveys it into the debris tray.</li> </ul>
5	ScreenMatic screen
6	"Max. water jet" mark <ul style="list-style-type: none"> <li>• Debris may be washed out of the debris collection tray if the water jet from the water distributor exceeds this mark.</li> </ul>
7	Transformer <ul style="list-style-type: none"> <li>• Voltage supply for the control device and motor</li> </ul>
8	Motor <ul style="list-style-type: none"> <li>• Drive of the ScreenMatic rotating screen unit</li> </ul>

□ B, C	BioTec ScreenMatic <sup>2</sup> 18000/24000/38000
1	Inlets, 2 x
2	Water distributor
3	Distributor extension
4	Brush for regularly cleaning the ScreenMatic screen
5	Substrate tube <ul style="list-style-type: none"> <li>• BioTec ScreenMatic<sup>2</sup> 18000: 3 x</li> <li>• BioTec ScreenMatic<sup>2</sup> 24000: 4 x</li> <li>• BioTec ScreenMatic<sup>2</sup> 38000: 12 x</li> </ul>
6	Separating plate <ul style="list-style-type: none"> <li>• Can be removed from the BioTec ScreenMatic<sup>2</sup> 18000/24000 for maintenance purposes</li> </ul>
7	Foam filter <ul style="list-style-type: none"> <li>• BioTec ScreenMatic<sup>2</sup> 18000: 8 x</li> <li>• BioTec ScreenMatic<sup>2</sup> 24000: 16 x</li> <li>• BioTec ScreenMatic<sup>2</sup> 38000: 18 x</li> </ul>
8	Blind plug for closing the outlet (13) <ul style="list-style-type: none"> <li>• Closing the outlet before cleaning the foam filters prevents dirty water from flowing back into the pond.</li> </ul>
9	Dirt outlet
10	Foam cleaning device
11	Holder for the foam cleaning device
12	Dirt outlet slide valve
13	Debris tray
14	Outlet

## 2.2 Properties

- High-performance flow-through filter for ponds for up to 18000/24000/38000 gal.
- Electrically driven ScreenMatic rotating screen for automatic removal of coarse debris.
- Low-maintenance filter due to the automatic removal of coarse debris.
- Bottom dirt outlet with slide valve for removal of dirt/debris from the filter system.
- Convenient cleaning of the foam filters directly inside the filter.
- Perfectly tailored to the OASE AquaMax Eco filter pumps.
- Direct connection of the OASE UVC clarifiers of the Vitronic 18W/36W and Bitron C series possible.
- Use of different filter medium types to ensure optimum colonisation of bacteria for biological filtration.

## 2.3 Intended use

BioTec ScreenMatic<sup>2</sup> 18000/24000/38000, referred to as "unit", may only be used as specified in the following:

- For cleaning garden ponds.
- Operate in accordance with instructions. (→ Technical data)

## 2.4 Possible incorrect use

The following restrictions apply to the unit:

- Only operate with water at a water temperature of +4 °C to +35 °C.
- Never use the unit to convey fluids other than water.
- Do not use for commercial or industrial purposes.
- Not suitable for salt water.
- Do not use in conjunction with chemicals, foodstuff, easily flammable or explosive substances.

## 2.5 Accessing the unit

- Remove the container cover: Access to the control device.
- Hinge up the screen holder: Access to the foam filters, substrate tubes, separating plate and outlet.

### 2.5.1 Opening the container

E

- BioTec ScreenMatic<sup>2</sup> 18000/24000: Release the locking clips, lift up the cover and remove.
- BioTec ScreenMatic<sup>2</sup> 38000: Lift the cover using the handles and remove.
  - Screw the handles onto the cover. The handles are not fitted on delivery.



#### NOTE

Only operate the unit with the container cover in place.

### 2.5.2 Hinging the screen holder up/down

How to proceed:

F

To hinge up/open

1. Remove the debris tray.
2. Hinge up the distributor extension.
3. Hinge up the screen holder with the ScreenMatic rotating screen unit.

To hinge down/close

4. Carefully hinge down the screen holder.
5. Push the distribution extension down until it audibly engages.
6. Replace the debris tray.

## 3 Installation and connection

### 3.1 Installation planning



#### NOTE

Use suitable transport and lifting aids to transport and install the unit.  
The unit weighs more than 25 kg. (→ Technical data)

#### 3.1.1 Optimum ambient and operating conditions

Optimum operating results can be obtained with careful planning, taking the ambient conditions into account.

- As the filter is very heavy when filled, it must be placed on a suitable base (at least on slabs, but preferably on a poured concrete base) to prevent it from subsiding.
- Align the base slab horizontally.
- Ensure sufficient room for movement for carrying out cleaning and maintenance work.
- Allow the dirty water to drain out into a drain or far enough away from the pond to ensure that it cannot flow back into the pond.
- Do not position the inlet into the pond higher than the outlet of the filter system (e.g. above a water course or waterfall).



#### NOTE

A water course or waterfall guarantees optimum water return to the pond.  
In this way, the filtered pond water is enriched with oxygen before it is returned to the pond.



### 3.1.2 Distance from the water

G

Electrical components of the filter system operate with a rated voltage of  $U_{DC} = 12\text{ V}$ . The supply voltage is supplied via an external transformer connected to the mains.

- Filter system with UVC clarifier fitted:
  - The filter system and transformer must be located at a distance of at least 2 m from the water.
- Filter system without UVC clarifier fitted:
  - The filter system can be installed directly next to the water. The transformer must be located at a distance of at least 2 m from the water.

### 3.1.3 Protective measures for swimming ponds

Adhere to the following conditions for dry installation:

H, I

- Only pumps with a voltage of  $\leq 12\text{ V}$  permit immersion set-up.
- Pumps with a voltage of  $\geq 12\text{ V}$  permit dry set-up, provided the required safety distance from the pond is observed.

### 3.2 Connecting the inlet

The filter system has two inlets with stepped hose adapters.

- For connecting a filter pump
- For connecting a UVC clarifier (→ Connecting a UVC clarifier)
- If an inlet is not used, fit a closed stepped hose adapter.
  - The stepped hose adapters are delivered closed.

Prerequisite:

- The container is open. (→ Opening the container)
- The screen holder is hinged up. (→ Hinging the screen holder up/down)

How to proceed:

J

1. Shorten the stepped hose adapter to the diameter of the hose used.
  - This reduces pressure losses.
2. Insert the stepped hose adapter with flat seal into the inlet opening.
3. Screw the distributor nut with O ring onto the stepped hose adapter and hand tighten.
  - BioTec ScreenMatic<sup>2</sup> 38000: Alternatively fit a 50 mm (2") hose connector.
4. Slip the hose clip over the hose, fit the hose onto the hose connector and secure with the hose clip.

### 3.3 Connecting a UVC clarifier

Prerequisite:

- The container is open. (→ Opening the container)
- The screen holder is hinged up. (→ Hinging the screen holder up/down)

How to proceed:

K

1. Fit the UVC clarifier with flat seal into the inlet opening.
2. Screw the distributor nut with O ring onto the stepped hose adapter and hand tighten.
  - Read the UVC clarifier operating instructions.

### 3.4 Connecting the outlet

- Use suitable pipes.
- Do not use any right-angled bends. Bends with a maximum angle of 45° are very efficient.
- Standing water in pipes can freeze when there is a hard frost and cause pipes to burst. For this reason, lay the pipes and hoses with a gradient (50 mm/m) to ensure that they can run empty.
- Pipe dimensions: (→ Technical data)

#### Fitting the DN 110 outlet

BioTec ScreenMatic<sup>2</sup> 38000: The outlet is not fitted on delivery.

Prerequisite:

- The container is open. (→ Opening the container)

How to proceed:

L

1. Fit the O ring onto the outlet.
2. Fit the outlet into the respective hole of the container wall from the outside.
  - Ensure that the raised marking is at the top and aligned in relation to the hole pattern.
3. Fasten the outlet from the inside with oval head screws.
  - Tighten all screws diagonally using the cordless screwdriver to ensure that the sealing ring is uniformly applied. Further tighten the screws using a Phillips screwdriver.



#### NOTE

Build supports to increase the stability of the pipe construction and to prevent the pipe construction from sagging at the discharge.

### 3.5 Connecting the dirt outlet

The water in the container can be drained via the dirt outlet with slide valve at the bottom of the container when required (for cleaning, repair, overwintering).

- Connect the pipe and drain the dirty water, for example, into a flower bed or into the sewage system.
- Pipe dimensions: (→ Technical data)

### 3.6 Carry out the electrical connection

How to proceed:

M

1. Thread the connection cable through the opening in the container wall and seal off the opening using the sealing plug.
  - Ensure that the connection cable inside the container is sufficiently long so that it is not subjected to tension when the ScreenMatic rotating screen unit is hinged up.
  - Avoid tangling of the cable inside the container.
2. Connect the plug of the connection cable to the socket on the transformer and hand-tighten the union nut.

## 4 Commissioning/start-up



### NOTE

Remove the protective film from the substrate tubes and insert the substrate tubes into the container. (→ Cleaning/replacing the substrate tubes)

- The substrate tubes are sealed in protective film on delivery.

- Thoroughly clean the pond before starting up the filter system for the first time to ensure that the filter system is not overloaded by excessively soiled water. OASE recommends using the PondoVac pond vacuum cleaner for cleaning the pond.
  - This cleaning measure is normally not necessary for newly installed ponds.
- It is necessary to operate the filter system for 24 hours a day during the pond season.

### 4.1 Biological filter starter

The foam filters take several weeks to reach their full biological cleaning effect. We recommend using the OASE filter starter Biokick to ensure fast growth of bacterial populations. Micro-organisms colonise the filter system, multiply and ensure an enhanced quality of the pond water by the decomposition of excess nutrients.



### NOTE

When using filter starter, medicines or pond water treatments, leave the UVC clarifying unit switched off for at least 36 hours so as not to impair their efficacy.

### 4.2 Order of starting up steps

How to proceed:

1. Close the slide valve of the dirt outlet.
2. Check that the filter system (pipes and hoses) is complete.
3. Remove the container cover.
4. Connect the transformer for the control device to the power supply.
5. Switch on the filter pump and UVC clarifier (if applicable).
  - Ensure that the water is returned to the pond via the return pipe.
6. Check all pipes, hoses and their connections for leaks.
  - Expansion seals may leak initially until they have fully expanded on contact with water.
7. Adjust the control device to the flow rate if necessary. (→ Aligning the control device)
8. Check the function of the ScreenMatic rotating screen unit. (→ Operation)
9. Fit the container cover.



### NOTE

The final water level is not reached in the container until the bacteria are established and the filter becomes fully effective.

- New foam filters take 3 to 4 weeks to reach their full biological cleaning effect. The water level is initially lower; the foam filters are not completely covered by the water. The filter may overflow while the beneficial bacteria colonies are being established. Do not clean the foam filters for 3 to 4 weeks.
- The biological cleaning effect ceases at temperatures under 10 °C. The filter may overflow. Cleaning is not necessary.



### NOTE

The substrate tubes should remain completely under water to ensure maximum effectiveness. Depending on the system configuration, the level of the water in the container may be too low for this.

- In this case, place the top substrate tube directly into the pond at a point where there is good water circulation.

**4.3 Aligning the control device**

**Do not align the control device until after the running-in period**

- Lowering the pump into the pond may swirl up so much debris that starting up the filter system straight away could cause the ScreenMatic screen to overflow.
- The filter system requires a running-in period of 2 to 3 hours. After this, the control device can be aligned if necessary.
- Align the control device such that the sensor only switches when a well-formed line of debris has formed on the screen.
  - A well-formed line of debris can be optimally removed by the stripper and conveyed into the debris tray.
  - The stripper brush under the ScreenMatic screen collects the fine debris, which falls into the debris tray.

How to proceed:

N

1. Remove the screw from the control device and take out the control device.
2. Insert the control device into the determined position, insert the screw and hand tighten.

**Aligning the control device depending on the degree of soiling of the pond**

In order to prevent premature soiling of the foam filters, ensure that the dirty water does not flow beyond the "Max. water jet" mark directly into the debris tray.

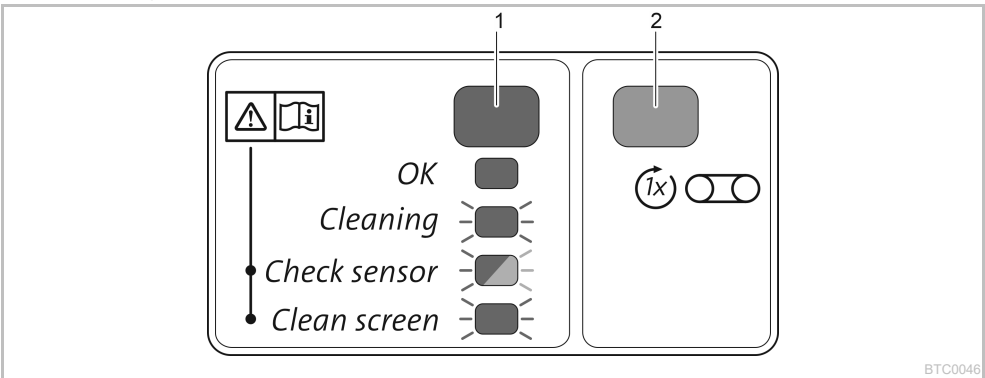
- Do not change the position of the control device unless the water flows as far as or beyond the "Max. water jet" mark, even when the ScreenMatic screen has been cleaned (with the enclosed brush).  
(→ Cleaning/replacing the ScreenMatic screen)

**Typical position of the control device**

BioTec ScreenMatic <sup>2</sup> 18000		BioTec ScreenMatic <sup>2</sup> 24000		BioTec ScreenMatic <sup>2</sup> 38000	
<2110 gal/h (<8000 l/h)	<9	<2400 gal/h (<9000 l/h)	<10	<3170 gal/h (<12000 l/h)	<18
>2380 gal/h (>9000 l/h)	>9	>2900 gal/h (>11000 l/h)	>10	>4000 gal/h (>15000 l/h)	>18
Delivery state	9	Delivery state	10	Delivery state	18

**5 Operation**


**5.1 Operating panel**



BTC0046

1	LED, 2 colours	
	• Lit green	The ScreenMatic rotating screen unit is operational
	• Flashes green	Cleaning active
	• Flashes green/red	Malfunction (→ System messages)
2	• Flashes red	Malfunction (→ System messages)
	Button, start/stop manual cleaning	(→ Manual cleaning)

## 5.2 Manual cleaning

Proceed as follows	Description
Press  for 1 s.	The ScreenMatic screen is rotated by 1 revolution. <ul style="list-style-type: none"> <li>• Press the button again for 1 s: The rotational movement stops prematurely.</li> </ul>

## 5.3 Automatic cleaning

Due to the build-up of debris the water level on the ScreenMatic screen also rises. When the sensor in the control device comes into contact with the water, it triggers the rotational movement of the ScreenMatic screen.

By briefly moving the ScreenMatic screen back several times a larger line of debris is formed, which can be better removed by the stripper.

Sequence of an automatic cleaning cycle	Rotational movement of the ScreenMatic screen
Normal soiling	
1. Contact of the sensor with water	Brief movement backward
2. Contact of the sensor with water	Brief movement backward
3. Contact of the sensor with water	Brief movement backward
4. Contact of the sensor with water	One rotation forward <ul style="list-style-type: none"> <li>• The debris is conveyed into the debris tray.</li> </ul>
Heavy soiling or incorrectly aligned control device (permanently high water level on the ScreenMatic screen)	
1. Contact of the sensor with water	Brief movement backward, then one rotation forward <ul style="list-style-type: none"> <li>• The debris is conveyed into the debris tray.</li> </ul>

## 5.4 Time-dependent cleaning

The ScreenMatic rotating screen unit executes a cleaning cycle after a set interval depending on the ambient temperature. This ensures cleaning at regular intervals

- if the sensor is soiled or defective,
- if there is very little soiling on the screen and/or low flow rates (e.g. when the SFC of the filter pump is activated).

Ambient temperature	Interval	Rotational movement of the ScreenMatic screen
≤10 °C	6 hours	One rotation forward
10 °C ... 20 °C	4 hours	<ul style="list-style-type: none"> <li>• The debris is conveyed into the debris tray.</li> </ul>
≥20 °C	3 hours	

## 5.5 System messages

LED	Malfunction	Possible cause	Remedy	Resetting the system message
Flashes green/red	No automatic cleaning cycle within 48 hours	Sensor soiled	<ul style="list-style-type: none"> <li>Clean the sensor.</li> <li>Descale the sensor.</li> </ul>	Automatic reset after remedy of malfunction
		No dirty water, cleaning is not necessary	–	
	No flow of water	Filter pump is not operating	Start up the filter pump.	
	No water detected by the sensor	Control device incorrectly positioned	Correctly position the control device	
		Control device defective	Replace the control device.	
		Insufficient conductivity of the water	Increase the water hardness with OptiPond	
	Insufficient pump capacity	Adjust the pump capacity accordingly		
Flashes red	20 automatic cleaning cycles in succession	ScreenMatic screen soiled	<ul style="list-style-type: none"> <li>Start manual the cleaning cycle and use a brush to clean the ScreenMatic screen on the side of the water distributor (→ Manual cleaning)</li> <li>Clean the ScreenMatic screen from the inside if the mesh is clogged by a biofilm (→ Cleaning/replacing the ScreenMatic screen)</li> </ul>	Automatic reset after remedy of malfunction
		Sensor soiled	Clean the sensor.	
		Control device incorrectly positioned	Correctly position the control device	
		Pump capacity too high	Adjust the pump capacity accordingly	
Flashes green	ScreenMatic screen not rotating although a manual cleaning cycle was triggered.	Motor cable plug not connected or incorrectly connected to the control device	Connect the plug, check that it is correctly seated.	–
		Motor defective	Replace motor	
Off	ScreenMatic screen not rotating although a manual cleaning cycle was triggered.	Connection cable plug not connected or incorrectly connected to the transformer	Connect the plug, check that it is correctly seated.	–
		Transformer not connected to the mains voltage	Connect the transformer to the mains voltage.	
		Transformer defective	Replace transformer	
		Control device defective	Replace the control device.	

## 6 Remedy of faults

Malfunction	Possible cause	Remedy
No flow of water	Filter pump not switched on	Switch on the filter pump, connect the power plug
	Supply to filter system or return to pond blocked	Clean the supply and/or return
Water flow insufficient	Hose kinked or clogged	Check, clean or replace the hose if necessary.
	Excessive loss in the hoses due to friction	Reduce hose length to reduce frictional loss
	Insufficient pump capacity	Adjust the pump capacity accordingly
Water remains cloudy	Insufficient circulation of the water	<ul style="list-style-type: none"> <li>Adjust the pump capacity accordingly</li> </ul>
	The water is extremely soiled.	<ul style="list-style-type: none"> <li>Optimise the circulation of the water in the pond.</li> <li>Remove algae and leaves from the pond.</li> <li>Change the water.</li> <li>If the water is particularly contaminated, change 30% of the water to avoid damage to the fish.</li> </ul>
	Too many pond animals	Reduce number of pond animals Guide value: approx. 2 ft (60 cm) fish length per 265 gal (1 m <sup>3</sup> ) pond water
	ScreenMatic screen is clogged	Clean or replace the ScreenMatic screen.
No water at the pond inlet	Foam filters soiled	Clean foam filters
	Pond inlet blocked	Clean the pond inlet.
Water level in the container too low, foam filters are not completely immersed in water.	Filter pump is not operating.	Start up the filter pump.
	The water level is initially lower when new foam filters are fitted as they have not yet been colonised by bacteria.	<ul style="list-style-type: none"> <li>It takes several weeks for the bacteria to become established and the foam filters to become fully effective.</li> <li>Use OASE filter starter Biokick to speed up the colonisation of bacteria.</li> </ul>
	The separating plate is missing. (Only BioTec ScreenMatic <sup>2</sup> 18000)	<ul style="list-style-type: none"> <li>Insert the separating plate.</li> </ul>

## 7 Maintenance and cleaning



### WARNING

Possible death or severe injury from hazardous electrical voltage!

- Prior to reaching into the water, isolate (switch off and disconnect) all units/devices used in the water.
- Isolate the device (disconnect from the power supply) before carrying out any work on it.
- Do not use aggressive cleaning agents or chemical solutions as they could attack the housing or impair the function of the unit.
- Recommended cleaning agent for removing stubborn limescale deposits:
  - Pump cleaning agent PumpClean from OASE.
  - Vinegar- and chlorine-free household cleaning agent.
- After cleaning, thoroughly rinse all parts in clean water.

### 7.1 Regular cleaning work

- Empty the debris tray:
  - The cleaning cycle is dependent on the degree of soiling of the pond.
  - Remove the debris tray. (→ Hinging the screen holder up/down)
- Clean the ScreenMatic screen:
  - If the ScreenMatic screen becomes clogged, clean the ScreenMatic screen downstream of the water distributor using the brush. For this, manually activate the ScreenMatic screen. (→ Manual cleaning)
  - Carry out intensive cleaning with the pump cleaning agent PumpClean from OASE: (→ Cleaning/replacing the ScreenMatic screen)

### 7.2 Cleaning foam filters

- It is necessary to clean the foam filters as soon as the water exceeds the 100% mark on the separating plate.
- Do not use any chemical cleaning agents as they would kill the filter bacteria.

Prerequisite:

- The filter pump is switched off.
- The container is open. (→ Opening the container)
- The screen holder is hinged up. (→ Hinging the screen holder up/down)
- BioTec ScreenMatic<sup>2</sup> 24000: Separating plate has been pulled out and the substrate tubes have been removed. (→ Cleaning/replacing the substrate tubes)
- The water level in the container has lowered to the height of the outlet or below.

How to proceed:

O, P

BioTec ScreenMatic<sup>2</sup> 18000/24000:

1. Insert the plug into the outlet from the inside to close off the outlet.
  - Remove the separating plate to facilitate access if applicable.
2. Switch on the filter pump until the foam filters are covered with water, then switch off the filter pump.
3. Compress all foam filters several times with the foam cleaning device.
4. Allow the dirty water to drain away.
  - Open the dirt outlet slide valve and close it again when the container is empty.
5. Repeat steps 2 ... 4 as required.
6. Rinse the container with clear water to remove any loosened dirt particles. To do this, first carry out step 2, then step 4.
7. Remove the plug from the inside of the outlet.
8. Close the dirt outlet slide valve.
9. Hinge down the screen holder (→ Hinging the screen holder up/down), insert the debris tray (→ switch on the filter pump).

Q

BioTec ScreenMatic<sup>2</sup> 38000:

1. Insert the plug into the outlet from the inside to close off the outlet.
2. Switch on the filter pump until the foam filters are covered with water, then switch off the filter pump.
3. Compress all foam filters several times with the foam cleaning device.
4. Allow the dirty water to drain away.
  - Open the dirt outlet slide valve and close it again when the container is empty.
5. Repeat steps 2 ... 4 as required.
6. Rinse the container with clear water to remove any loosened dirt particles. To do this, first carry out step 2, then step 4.
7. Remove the plug from the inside of the outlet.
8. Close the dirt outlet slide valve.
9. Hinge down the screen holder (→ Hinging the screen holder up/down), insert the debris tray and switch on the filter pump.

### 7.3 Cleaning/replacing the substrate tubes

The substrate tubes are filled with zeolite on delivery. OASE recommends replacing the zeolite with Phosless when the bacteria are established and the foam filters are fully effective.

Prerequisite:

- The filter pump is switched off.
- The container is open. (→ Opening the container)
- The screen holder is hinged up. (→ Hinging the screen holder up/down)

How to proceed:

R

BioTec ScreenMatic<sup>2</sup> 18000:

1. Remove the separating plate.
2. Remove the substrate tubes and clean them or replace their contents.
  - BioTec ScreenMatic<sup>2</sup> 18000: Three substrate tubes
  - When inserting, push the substrate tubes against the wall opposite to the outlet.

S

BioTec ScreenMatic<sup>2</sup> 24000:

1. Remove the separating plate.
2. Remove the substrate tubes and clean them or replace their contents.
  - BioTec ScreenMatic<sup>2</sup> 24000: Four substrate tubes
  - Two substrate tubes each to the left of the outlet and two substrate tubes each to the right of the outlet.

T

BioTec ScreenMatic<sup>2</sup> 38000:

- Remove the substrate tubes individually and clean them or replace their contents.
  - BioTec ScreenMatic<sup>2</sup> 38000: Twelve substrate tubes



## 7.4 Cleaning/replacing the ScreenMatic screen

Prerequisite:

- The filter pump is switched off.
- The container is open. (→ Opening the container)
- The debris tray is removed. (→ Hinging the screen holder up/down)

How to proceed:

U

1. Remove the screw for fastening the control device, remove the control device and place it carefully to the side.
  - If necessary, disconnect the motor cable plug from the control device.
  - Mark the position of the control device on a side section for reassembly.
2. Take the ScreenMatic rotating screen unit out of the screen holder.
  - Biotec ScreenMatic<sup>2</sup> 18000: Press the locking clips on both sides and remove the ScreenMatic rotating screen unit.
  - Biotec ScreenMatic<sup>2</sup> 38000: Press the ScreenMatic rotating screen unit in the direction of the water distributor and remove.
3. Undo the nuts on the side section, and remove the side section and stripper.
4. Release the clamping lever and remove the ScreenMatic screen.
  - Thoroughly clean the stripper.
  - Thoroughly clean both sides of the ScreenMatic screen. Replace the ScreenMatic screen if necessary.
  - Use the pump cleaning agent PumpClean from OASE.
5. Reassemble the ScreenMatic rotating screen unit in the reverse order and place it into the screen holder.
  - When tensioning the ScreenMatic screen, ensure that the clamping lever engages.

## 7.5 Replacing foam filters

Prerequisite:

- The filter pump is switched off.
- The container is open. (→ Opening the container)
- The screen holder is hinged up. (→ Hinging the screen holder up/down)

How to proceed:

V

1. Press both locking clips on the foam holder.
2. Remove the foam holder plate and foam filter.
3. Push a new foam filter onto the foam holder, fit the foam holder plate and push down until the two locking clips engage in the foam holder plate.



### NOTE

Recommendation regarding the replacement of foam filters:

- Only partially replace the foam filters at intervals of at least a week so as not to impair the biological cleaning action too much.
- Never replace more than 50 % of the foam filters at any one time.

## 8 Storage/overwintering

### The unit is protected from frost:

The unit can be operated as long as the water temperature does not go below +4 °C.

The deeper areas of the pond have a water temperature of approx. +4 °C in winter and are essential for the fish. By taking the following measures it is possible to reduce the cooling effect on the water of the circulation by the filter system:

- Position the pump nearer to the surface of the water so that only colder water closer to the surface of the pond enters the pump.
- Insulate the return pipes from the filter system into the pond.
- Do not allow water to flow into the pond via a water course.

### The unit is not protected from frost:

Take the unit out of operation at water temperatures below +8° C or, at the latest, when freezing temperatures are to be expected.

- Drain the unit as far as possible, clean thoroughly and check for damage.
- Empty all hoses, pipes and connections as far as possible.
- Leave the slide valves open.
- Cover the filter container to prevent the penetration of rain water.
- Protect pipes and slide valves that are in contact with water from frost.

## 9 Wear parts

- Foam filters
- Substrate tubes
- ScreenMatic screen

## 10 Disposal



### NOTE

Do not dispose of this unit with domestic waste.

- Render the unit unusable beforehand by cutting the cables and dispose of the unit via the return system provided for this purpose.

## 11 Technical data

Description			BioTec ScreenMatic <sup>2</sup>		
			18000	24000	38000
Power pack	Primary rated voltage	V AC	120	120	120
	Mains frequency	Hz	60	60	60
	Secondary rated voltage	V DC	12	12	12
	Permissible ambient temperature	°F (°C)	14 ... 95 (-10 ... +35)	14 ... 95 (-10 ... +35)	14 ... 95 (-10 ... +35)
Control device	Power consumption	W	5	5	5
	Permissible ambient temperature	°F (°C)	14 ... 95 (-10 ... +35)	14 ... 95 (-10 ... +35)	14 ... 95 (-10 ... +35)
Cable length	Power pack	ft (m)	7 (2.10)	7 (2.10)	7 (2.10)
	Control device	ft (m)	16.4 (5.00)	16.4 (5.00)	16.4 (5.00)
Foam filter	Number of blue foam filters	pcs.	2	4	4
	Number of red foam filters	pcs.	3	6	7
	Number of purple foam filters	pcs.	3	6	7
Special filter pellets	lbs (kg)	7.7 (3.50)	11 (5.00)	31.9 (14.50)	
Removal of coarse dirt particles	µm	300	300	300	
Permissible water temperature	°F (°C)	39 ... 95 (+4 ... +35)	39 ... 95 (+4 ... +35)	39 ... 95 (+4 ... +35)	
Inlet	Quantity	pcs.	2	2	2
	Connection, stepped hose adapter	mm	25, 32, 38	25, 32, 38, 50	25, 32, 38, 50
		inch	1, 1¼, 1½	1, 1¼, 1½, 2	1, 1¼, 1½, 2
	Connection, UVC clarifier		Bitron C 55 W / 110 W Vitronic 18 W / 36 W		
Outlet	Quantity	pcs.	1	1	1
	Connection		DN 75	DN110	DN 110
Dirt outlet	Quantity	pcs.	1	1	1
	Connection		DN 50	DN50	DN 75
Circulation capacity	Min.	gal/h (l/h)	1580 (6000)	2100 (8000)	2110 (8000)
	Max.	gal/h (l/h)	2900 (11000)	3300 (12500)	4620 (17500)
Maximum pond volume	Without fish population	gal (m <sup>3</sup> )	18000 (68)	24000 (90)	38000 (144)
	With fish population	gal (m <sup>3</sup> )	9000 (34)	12000 (45)	19000 (72)
	Including koi carp	gal (m <sup>3</sup> )	4500 (17)	6000 (22.5)	9500 (36)
Dimensions	Length	inch (mm)	31.2 (788)	31 (788)	47.2 (1200)
		inch (mm)	23.2 (590)	23.2 (590)	31.5 (800)
	Height	inch (mm)	21.8 (554)	25.75 (654)	30 (760)
Weight	Without water	lbs (kg)	55 (25)	66.1 (30)	209 (95)

**Table des matières**

- 1 En ce qui concerne cette notice d'emploi ..... 29
  - 1.1 Symboles dans cette notice d'emploi ..... 29
    - 1.1.1 Avertissements ..... 29
    - 1.1.2 Autres remarques ..... 29
- 2 Description du produit ..... 29
  - 2.1 Structure de l'appareil ..... 29
  - 2.2 Propriétés ..... 30
  - 2.3 Utilisation conforme à la finalité ..... 30
  - 2.4 Éventuelle utilisation incorrecte ..... 30
  - 2.5 Accès à l'appareil ..... 31
    - 2.5.1 Ouverture du récipient ..... 31
    - 2.5.2 Ouverture/fermeture du porte crépine ..... 31
- 3 Mise en place et raccordement ..... 31
  - 3.1 Planification de la mise en place ..... 31
    - 3.1.1 Conditions ambiantes et de fonctionnement optimales ..... 31
    - 3.1.2 Distance par rapport à l'eau ..... 32
    - 3.1.3 Mesures préventives pour les piscines naturelles ..... 32
  - 3.2 Brancher l'entrée ..... 32
  - 3.3 Raccordement du préclarificateur à UVC ..... 33
  - 3.4 Brancher la sortie ..... 33
  - 3.5 Raccordement du conduit d'écoulement de particules ..... 33
  - 3.6 Procéder au raccordement électrique ..... 33
- 4 Mise en service ..... 34
  - 4.1 Starter de filtre biologique : ..... 34
  - 4.2 Succession des étapes de la mise en service ..... 34
  - 4.3 Ajustement de la commande ..... 35
- 5 Utilisation ..... 35
  - 5.1 Tableau de commande ..... 35
  - 5.2 Nettoyage manuel ..... 36
  - 5.3 Nettoyage automatique ..... 36
  - 5.4 Nettoyage en fonction du temps ..... 36
  - 5.5 Messages du système ..... 37
- 6 Dépannage ..... 37
- 7 Nettoyage et entretien ..... 38
  - 7.1 Opérations de nettoyage périodiques ..... 38
  - 7.2 Nettoyage des mousses filtrantes ..... 38
  - 7.3 Nettoyage/Remplacement des tubes à substrat ..... 39
  - 7.4 Nettoyage/Remplacement de la crépine-ScreenMatic ..... 40
  - 7.5 Remplacement des mousses filtrantes ..... 40
- 8 Stockage / entreposage pour l'hiver ..... 41
- 9 Pièces d'usure ..... 41
- 10 Recyclage ..... 41
- 11 Caractéristiques techniques ..... 42
- Pièces de rechange ..... 57

Traduction de la notice d'emploi originale

## 1 En ce qui concerne cette notice d'emploi

Bienvenue chez OASE Living Water. Avec l'acquisition du produit, **BioTec ScreenMatic<sup>2</sup> 18000/24000/38000** vous avez fait le bon choix.

Avant la première utilisation de l'appareil, lire attentivement cette notice d'emploi et se familiariser avec l'appareil. Tous les travaux effectués avec et sur cet appareil devront être exécutés conformément aux directives ci-jointes.

Respecter impérativement les consignes de sécurité relatives à une utilisation correcte et en toute sécurité.

Conserver soigneusement cette notice d'emploi. Lors d'un changement de propriétaire, prière de transmettre également cette notice d'emploi.

### 1.1 Symboles dans cette notice d'emploi

#### 1.1.1 Avertissements

Dans cette notice, les avertissements sont classés par mots de signalisation qui indiquent l'ampleur du risque.



#### AVERTISSEMENT

- signale une situation éventuellement dangereuse.
- Le non-respect risque d'entraîner la mort ou des blessures graves.



#### REMARQUE

Informations permettant d'assurer une meilleure compréhension et d'éviter des dommages matériels ou environnementaux.

#### 1.1.2 Autres remarques

- A Renvoi à l'illustration, p. ex. Figure A.
- Renvoi à un autre chapitre.

## 2 Description du produit

### 2.1 Structure de l'appareil

<input type="checkbox"/> A	Unité à bandeScreenMatic
1	Commande
2	Tableau de commande
3	Capteur sur la partie inférieure de la commande <ul style="list-style-type: none"> <li>• Un nettoyage automatique de la crépine-ScreenMatic se déclenche lors d'un contact du capteur avec l'eau.</li> </ul>
4	Racleur <ul style="list-style-type: none"> <li>• Enlève les salissures se trouvant sur la crépine ScreenMatic et les transportent dans le collecteur de salissures</li> </ul>
5	Crépine-ScreenMatic
6	Marquage « Cascade d'eau max. » <ul style="list-style-type: none"> <li>• Les salissures sont, le cas échéant, évacuées par rinçage hors du collecteur de salissures lorsque la cascade d'eau dépasse le marquage dans le distributeur d'eau.</li> </ul>
7	Transformateur <ul style="list-style-type: none"> <li>• Alimentation en tension pour la commande et le moteur</li> </ul>
8	Moteur <ul style="list-style-type: none"> <li>• Entraînement de l'unité à bande ScreenMatic</li> </ul>

<input type="checkbox"/> B, C	<b>BioTec ScreenMatic<sup>2</sup> 18000/24000/38000</b>
1	Entrées, deux unités
2	Distributeur d'eau
3	Rallonge de distributeur
4	Brosse pour nettoyage périodique de la crépine-ScreenMatic
5	Tube à substrat <ul style="list-style-type: none"> <li>• BioTec ScreenMatic<sup>2</sup> 18000 : 3 unités</li> <li>• BioTec ScreenMatic<sup>2</sup> 24000 : 4 unités</li> <li>• BioTec ScreenMatic<sup>2</sup> 38000 : 12 unités</li> </ul>
6	Paroi de séparation <ul style="list-style-type: none"> <li>• Amovible pour les besoins d'entretien sur BioTec ScreenMatic<sup>2</sup> 18000/24000</li> </ul>
7	Mousse filtrante <ul style="list-style-type: none"> <li>• BioTec ScreenMatic<sup>2</sup> 18000 : 8 unités</li> <li>• BioTec ScreenMatic<sup>2</sup> 24000 : 16 unités</li> <li>• BioTec ScreenMatic<sup>2</sup> 38000 : 18 unités</li> </ul>
8	Capuchon obturateur de fermeture de sortie (13) <ul style="list-style-type: none"> <li>• Aucune eau souillée ne s'écoule dans la pièce d'eau lors du nettoyage des mousses filtrantes lorsque la sortie est fermée</li> </ul>
9	Conduit d'écoulement des impuretés
10	Nettoyant moussant
11	Support pour le nettoyant moussant
12	Vanne guillotine pour conduit d'écoulement des impuretés
13	Collecteur de salissures
14	Sortie

## 2.2 Propriétés

- Filtre à filtration continue très efficace pour pièces d'eau jusqu'à 18000/24000/38000 gal.
- Crépine ScreenMatic à entraînement électrique pour la séparation automatique des particules grossières.
- Entretien réduit du filtre grâce à la séparation des particules grossières.
- Bonde de fond avec coulisseau pour l'élimination des salissures dans le système de filtration.
- Nettoyage facile des mousses filtrantes directement dans le filtre.
- Adaptation optimale aux pompes filtrantes OASE AquaMax Eco.
- Possibilité de raccordement direct pour clarificateurs UVC OASE des séries Vitronic 18W/36W et Bitron C.
- Utilisation de différents moyens de filtration pour un développement optimal de la biologie de filtration.

## 2.3 Utilisation conforme à la finalité

BioTec ScreenMatic<sup>2</sup> 18000/24000/38000, appelé par la suite «appareil», doit être utilisé exclusivement comme suit :

- Pour le nettoyage de bassins de jardin.
- Exploitation dans le respect des données techniques. (→ Caractéristiques techniques)

## 2.4 Événuelle utilisation incorrecte

Les restrictions suivantes sont valables pour l'appareil :

- A utiliser uniquement avec de l'eau à une température entre +4 °C et +35 °C.
- Ne jamais refouler des liquides autres que de l'eau.
- Ne pas utiliser à des fins commerciales ou industrielles.
- Non compatible à l'eau salée.
- Ne pas utiliser en relation avec des produits chimiques, des produits alimentaires, des matériaux facilement inflammables ou explosifs.

## 2.5 Accès à l'appareil

- Ôter le couvercle du récipient. Accès à la commande.
- Lever le porte-crêpine : accès aux mousses filtrantes tubes à substrat, paroi de séparation et sortie.

### 2.5.1 Ouverture du récipient

E

- BioTec ScreenMatic<sup>2</sup> 18000/24000 : Débloquer les crochets de verrouillage, soulever le couvercle et le retirer.
- BioTec ScreenMatic<sup>2</sup> 38000 : Soulever le couvercle par les poignées et le retirer.
  - Visser les poignées sur le couvercle. Les poignées ne sont pas fournies montées.



#### REMARQUE

N'utiliser l'appareil qu'avec le couvercle de récipient en place.

### 2.5.2 Ouverture/fermeture du porte crêpine

Voici comment procéder :

F

Ouverture

1. Retirer le collecteur de salissures.
2. Lever la rallonge du distributeur.
3. Rabattre le porte-crêpine avec l'unité à bande ScreenMatic vers le haut.

Fermeture

4. Rabattre le porte-crêpine vers le bas avec précaution.
5. Appuyer sur la rallonge du distributeur jusqu'à ce qu'elle s'emboîte de manière audible.
6. Mettre le collecteur de salissures en place.

## 3 Mise en place et raccordement

### 3.1 Planification de la mise en place



#### REMARQUE

Utiliser des moyens d'aide au transport et à la manutention appropriés pour le transport et la mise en place de l'appareil.

Le poids de l'appareil dépasse 25 kg. (→ Caractéristiques techniques)

#### 3.1.1 Conditions ambiantes et de fonctionnement optimales

Une planification minutieuse et une prise en considération des conditions ambiantes permettront d'obtenir des conditions de fonctionnement optimales.

- Rempli, le filtre est très lourd. Pour cela, choisir un support approprié (au moins un dallage, ou mieux encore une surface bétonnée) pour éviter tout effondrement.
- Aligner la plaque de fond à l'horizontale.
- Prévoir suffisamment d'espace autour des appareils, pour pouvoir exécuter les travaux de nettoyage et de maintenance.
- Laisser l'eau souillée s'écouler dans les canalisation ou le plus loin possible du bassin pour éviter absolument son retour dans la pièce d'eau.
- Ne pas positionner l'arrivée dans la pièce d'eau plus haut que la sortie du système de filtration (par ex. cours d'eau ou chute d'eau).



#### REMARQUE

Un cours de ruisseau ou une cascade sont appropriés de manière optimale à la reconduite de l'eau vers l'étang.

Ceci permet d'oxygéner l'eau filtrée de l'étang avant qu'elle ne retourne dans l'étang.

### 3.1.2 Distance par rapport à l'eau

G

Les composants électriques du système de filtration fonctionnent avec une tension assignée de  $U_{CC} = 12\text{ V}$ . La tension d'alimentation est fournie par un transformateur externe raccordé au secteur.

- Système de filtration avec clarificateur UVC :
  - Placer le système de filtration et le transformateur à une distance d'au moins 2 m par rapport à l'eau.
- Système de filtration sans clarificateur UVC :
  - Le système de filtration peut être installé à proximité immédiate de l'eau. Placer le transformateur à une distance d'au moins 2 m par rapport à l'eau.

### 3.1.3 Mesures préventives pour les piscines naturelles

Respecter les conditions suivantes lors d'une mise en place à sec :

H, I

- Pour une mise en place immergée, seules des pompes avec une tension de  $\leq 12\text{ V}$  sont autorisées.
- Pour une mise en place au sec, des pompes avec une tension de  $\geq 12\text{ V}$  sont autorisées lorsque la distance de sécurité par rapport à la pièce d'eau est respectée.

### 3.2 Brancher l'entrée

Le système de filtration dispose de deux entrées avec des embout à étages.

- Raccordement d'une pompe de filtration.
- Raccordement d'un préclarificateur à UVC. (→ Raccordement du préclarificateur à UVC)
- Si une entrée est inutilisée, monter un embout à étages fermé.
  - Les embouts à étages sont livrés à l'état fermé.

Prérequis :

- Le récipient est ouvert. (→ Ouverture du récipient)
- Le porte-crèpine est rabattu vers le haut. (→ Ouverture/fermeture du porte crèpine)

Voici comment procéder :

J

1. Raccourcir l'embout à étages sur le diamètre du tuyau utilisé.
  - On réduit de cette manière les pertes de pression.
2. Introduire l'embout à étages avec le joint plat dans l'ouverture d'arrivée.
3. Introduire et visser la vis traversante avec le joint torique sur l'embout à étages et la serrer à la main.
  - BioTec ScreenMatic<sup>2</sup> 38000 : Comme alternative, il est possible de monter un raccord de tuyau de 50 mm (2").
4. Glisser le collier de serrage sur le tuyau, enfiler le tuyau sur le raccord de tuyau et le fixer avec le collier de serrage.



### 3.3 Raccordement du préclarificateur à UVC

Prérequis :

- Le récipient est ouvert. (→ Ouverture du récipient)
- Le porte-crèpine est rabattu vers le haut. (→ Ouverture/fermeture du porte crèpine)

Voici comment procéder :

K

1. Introduire le clarificateur UVC avec le joint plat dans l'ouverture d'arrivée.
2. Introduire et visser la vis traversante avec le joint torique sur l'embout à étages et la serrer à la main.
  - Lire les instructions de service du clarificateur UVC.

### 3.4 Brancher la sortie

- Utiliser des conduites appropriées.
- Ne pas utiliser des sections de conduites perpendiculaires. Des coudes d'un angle maximal de 45° sont fortement efficaces.
- En cas de fort gel, l'eau stagnante ne pouvant s'écouler risque de faire éclater les conduites. De ce fait, poser les conduites et les tuyaux avec une inclinaison (50 mm/m) de sorte qu'ils puissent se vider.
- Dimensions de conduite : (→ Caractéristiques techniques)

#### Montage du conduit d'écoulement DN 110

BioTec ScreenMatic<sup>2</sup> 38000 : La sortie n'est pas fournie montée.

Prérequis :

- Le récipient est ouvert. (→ Ouverture du récipient)

Voici comment procéder :

L

1. Poser le joint torique sur le conduit d'écoulement
2. de l'extérieur, placer le conduit d'écoulement dans la paroi du récipient.
  - Le repère ressortant en saillie doit être tourné vers le haut et aligné sur le trou.
3. Fixer le conduit d'écoulement, de l'intérieur, avec les vis à tête bombée.
  - Serrer toutes les vis en diagonale au moyen d'une visseuse sans fils pour un contact uniforme du joint. Resserrer les vis au moyen des tournevis cruciformes.



#### REMARQUE

Monter les supports pour accroître la stabilité des constructions en tubes et pour éviter que la construction en tubes en s'affaisse pendant le fonctionnement.

### 3.5 Raccordement du conduit d'écoulement de particules

En cas de besoin (nettoyage, réparations, entreposage pour l'hiver), il est possible de laisser l'eau s'écouler dans le conteneur par le biais du conduit d'écoulement de salissures avec robinet d'arrêt en bas sur le réservoir.

- Raccorder la conduite et acheminer l'eau polluée par ex. dans un parterre de fleurs ou vers les canalisations d'eaux usées.
- Dimensions de conduite : (→ Caractéristiques techniques)

### 3.6 Procéder au raccordement électrique

Voici comment procéder :

M

1. Faire passer le câble de raccordement à travers l'ouverture de la paroi du récipient et la fermer avec le bouchon d'étanchéité.
  - Laisser le câble de raccordement suffisamment long dans le récipient afin qu'il ne subisse aucune traction lors du rabattement de l'unité à bande ScreenMatic.
  - Éviter tout enchevêtrement du câble dans le récipient.
2. Brancher la fiche du câble de raccordement sur la prise du transformateur et bloquer l'écrou-raccord en le serrant à la main.

## 4 Mise en service



### REMARQUE

Retirer le film protecteur des tubes à substrat et placer les tubes à substrat dans le récipient.  
(→ Nettoyage/Remplacement des tubes à substrat)

- Les tubes à substrat sont fournis emballés dans un film protecteur.

- Lors de la première mise en service, méticuleusement nettoyer l'étang pour que le système de filtration ne soit pas soumis à une contrainte extrême en raison d'une eau excessivement polluée. Pour ce nettoyage, OASE préconise l'usage de l'aspirateur de boue d'étang PondoVac.
  - Lorsque l'étang vient juste d'être construit, ce nettoyage est en principe superflu.
- Le système de filtration est à utiliser toute la journée pendant la saison de l'étang.

### 4.1 Starter de filtre biologique :

Les mousses filtrantes atteignent leur pleine capacité d'épuration biologique uniquement après quelques semaines. Nous conseillons d'utiliser l'activateur de filtration Biokick OASE pour la prolifération rapide des populations bactériennes. Des microorganismes s'installent dans le système de filtration, se multiplient et assurent une meilleure qualité de l'eau de l'étang en décomposant les substances nutritives superflues.



### REMARQUE

En cas d'utilisation d'activateurs de filtre, de médicaments ou de produits d'entretien du bassin, laisser l'appareil de pré-clarification à UVC hors circuit pendant au moins 36 heures, pour ne pas entraver l'effet du produit.

### 4.2 Succession des étapes de la mise en service

Voici comment procéder :

1. Fermer le robinet d'arrêt du conduit d'écoulement des salissures.
2. Contrôler le système de filtration (conduites et tuyaux) pour s'assurer que rien ne manque.
3. Ôter le couvercle du conteneur.
4. Brancher le transformateur de la commande sur le secteur.
5. Connecter la pompe de filtration et évent. le préclarificateur à UVC.
  - L'eau doit être refoulée dans l'étang par le biais de la conduite de retour.
6. Vérifier l'étanchéité de toutes les conduites, tuyaux et raccords.
  - Au début, les joints gonflants risquent de ne pas être étanches, car ils ne sont complètement étanches qu'après le contact avec l'eau.
7. Si besoin, ajuster la commande au débit. (→ Ajustement de la commande)
8. Contrôler le fonctionnement de l'unité à bande ScreenMatic. (→ Utilisation)
9. Remettre le couvercle du conteneur en place.



### REMARQUE

Le niveau d'eau final dans le récipient se règle une fois que la pleine capacité d'épuration biologique est atteinte.

- Les nouvelles mousses filtrantes atteignent leur pleine capacité d'épuration biologique uniquement après env. 3 à 4 semaines. Le niveau d'eau est tout d'abord plus faible, les mousses filtrantes ne sont pas entièrement recouvertes par l'eau. Le filtre doit déborder pendant la constitution de la biologie. Ne laver les mousses filtrantes pour la première fois qu'après 3 à 4 semaines.
- Le filtre n'exerce plus d'action biologique nettoyante lorsque les températures sont inférieures à 10 °C. Le filtre doit déborder. Un nettoyage n'est pas nécessaire.



### REMARQUE

Pour un maximum d'efficacité, les tubes à substrat doivent être entièrement immergés. En fonction de la configuration du système, le niveau de l'eau du réservoir peut s'avérer trop bas.

- Dans ce cas, placer le tube à substrat supérieur directement dans l'étang à un endroit où l'écoulement est fort.

### 4.3 Ajustement de la commande

#### Ajuster la commande uniquement après la phase de mise en route

- Suite à l'immersion de la pompe dans la pièce d'eau, il peut arriver qu'une grande quantité de salissures soit brassée ce qui provoque alors un débordement de la crépine ScreenMatic lors d'une mise en service directe du système de filtration.
- Le système de filtration nécessite une phase de mise en route de 2 à 3 heures. Si besoin, ajuster la commande par la suite.
- Ajuster la commande de sorte que le capteur ne s'enclenche qu'à la formation d'un bourrelet de salissures suffisant.
  - Un bourrelet de salissures bien formé peut être pris en charge de manière optimale par le racleur et ensuite acheminé dans le collecteur de salissures.
  - La brosse de raclage sous la crépine ScreenMatic collecte les particules de salissures fines qui tombent dans le collecteur de salissures.

Voici comment procéder :

N

1. Retirer la vis sur la commande et sortir la commande.
2. Placer la commande à la position déterminée, réimplanter la vis et la serrer à la main.

#### Ajuster la commande en fonction du taux de pollution de la pièce d'eau

Afin d'éviter tout encrassement prématuré des mousses filtrantes, l'eau polluée ne doit pas s'écouler directement dans le collecteur de salissures en dépassant le marquage « Cascade d'eau max. ».

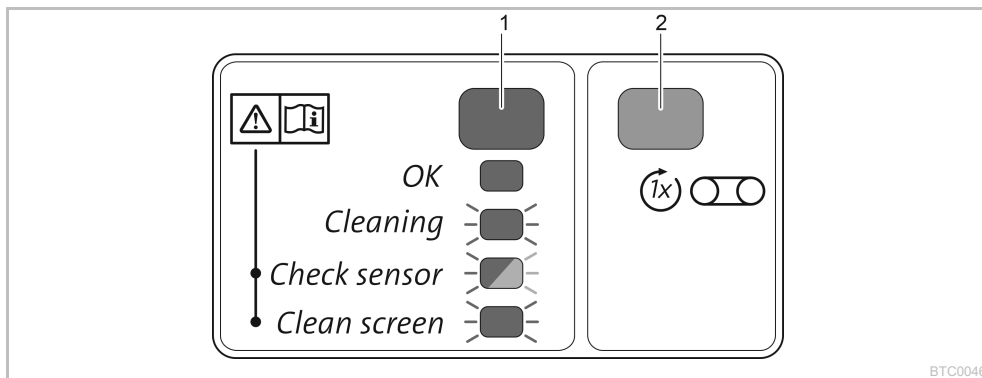
- Modifier la position de la commande uniquement lorsque l'eau, malgré le nettoyage de la crépine ScreenMatic (avec la brosse jointe), arrive au niveau ou s'écoule en dépassant le marquage « Cascade d'eau max. ». (→ Nettoyage/Remplacement de la crépine-ScreenMatic)

#### Positions typiques de la commande

BioTec ScreenMatic <sup>2</sup> 18000		BioTec ScreenMatic <sup>2</sup> 24000		BioTec ScreenMatic <sup>2</sup> 38000	
<2110 gal/h (<8000 l/h)	<9	<2400 gal/h (<9000 l/h)	<10	<3170 gal/h (<12000 l/h)	<18
>2380 gal/h (>9000 l/h)	>9	>2900 gal/h (>11000 l/h)	>10	>4000 gal/h (>15000 l/h)	>18
État à la livraison	9	État à la livraison	10	État à la livraison	18


## 5 Utilisation

### 5.1 Tableau de commande



1	LED, bicolore	
	• Éclairée en vert	L'unité à bande ScreenMatic est opérationnelle
	• Clignote en vert	Nettoyage actif
	• Clignote en vert/rouge	Défaut (→ Messages du système)
	• Clignote en rouge	Défaut (→ Messages du système)
2	Touche, démarrage/arrêt du nettoyage manuel	(→ Nettoyage manuel)

## 5.2 Nettoyage manuel

La manière de procéder	Description
 y appuyer pendant 1 s.	La crépine ScreenMatic avance d'1 tour. <ul style="list-style-type: none"> <li>• Maintenir la touche enfoncée pendant 1 s : La rotation s'arrête prématurément.</li> </ul>

## 5.3 Nettoyage automatique

L'augmentation de la charge polluante entraîne automatiquement la hausse du niveau de l'eau dans la crépine ScreenMatic. Lors du contact avec l'eau, le capteur déclenche un mouvement de rotation de la crépine ScreenMatic dans la commande.

La brève rotation arrière répétée de la crépine ScreenMatic forme un bourrelet de salissures plus gros qui se laissera plus aisément prendre par le racleur.

Déroulement du cycle de nettoyage automatique	Rotation de la crépine ScreenMatic
Colmatage normal	
1. Contact du capteur avec l'eau	Léger retour
2. Contact du capteur avec l'eau	Léger retour
3. Contact du capteur avec l'eau	Léger retour
4. Contact du capteur avec l'eau	Un tour en avant <ul style="list-style-type: none"> <li>• La charge polluante est amenée dans le collecteur de salissures</li> </ul>
Forte pollution ou ajustage incorrect de la commande (augmentation permanente du niveau de l'eau dans la crépine ScreenMatic)	
1. Contact du capteur avec l'eau	Léger retour puis un tour en avant <ul style="list-style-type: none"> <li>• La charge polluante est amenée dans le collecteur de salissures</li> </ul>

## 5.4 Nettoyage en fonction du temps

En fonction de la température ambiante, l'unité à bande ScreenMatic effectue un cycle de nettoyage à périodicité fixe. Ceci permet d'assurer un nettoyage régulier

- en cas de salissure ou de défectuosité du capteur,
- ou lors de charges polluantes minimales et/ou en présence de faibles débits (par ex. lorsque la pompe de filtration SFC) est activée.

Température ambiante	Intervalle	Rotation de la crépine ScreenMatic
≤10 °C	6 heures	Un tour en avant
10 °C ... 20 °C	4 heures	<ul style="list-style-type: none"> <li>• La charge polluante est amenée dans le collecteur de salissures</li> </ul>
≥20 °C	3 heures	

## 5.5 Messages du système

DEL	Défaut	Cause éventuelle	Remède	Réinitialisation du message système
Clignote en vert/rouge	Aucun nettoyage automatique au cours des dernières 48 heures	CaptEUR encrassé	<ul style="list-style-type: none"> <li>Nettoyer le capteur</li> <li>Détartrer le capteur</li> </ul>	Automatique après dépannage
		Pas d'eau sale, pas de nettoyage nécessaire	–	
	Pas de débit d'eau	La pompe de filtration n'est pas en service	Connecter la pompe de filtration	
		Commande sur la mauvaise position	Correctement positionner la commande	
		Commande défectueuse	Remplacer la commande	
		Conductivité de l'eau trop faible	Augmenter la dureté de l'eau avec OptiPond	
Clignote en rouge	20 nettoyages automatiques successifs	Le débit de pompage est insuffisant	Adapter le débit du pompage	Automatique après dépannage
		Crépine ScreenMatic colmatée	<ul style="list-style-type: none"> <li>Démarrer le nettoyage manuel et nettoyer la crépine ScreenMatic sur le côté du distributeur d'eau (→ Nettoyage manuel) avec la brosse</li> <li>Nettoyer l'intérieur de la crépine ScreenMatic lorsque les mailles sont recouvertes d'une pellicule de résidus biologiques (→ Nettoyage/Remplacement de la crépine-ScreenMatic)</li> </ul>	
		CaptEUR encrassé	Nettoyer le capteur	
		Commande sur la mauvaise position	Correctement positionner la commande	
		Le débit de pompage est excessif	Adapter le débit du pompage	
Clignote en vert	La crépine ScreenMatic ne tourne pas malgré l'activation d'un nettoyage manuel	La fiche du câble de moteur n'est pas branchée ou mal branchée sur la commande	Enficher la fiche, vérifier la mise en place	–
		Moteur défectueux	Remplacer le moteur	
éteinte	La crépine ScreenMatic ne tourne pas malgré l'activation d'un nettoyage manuel	La fiche du câble de raccordement n'est pas branchée ou mal branchée sur le transformateur	Enficher la fiche, vérifier la mise en place	–
		Le transformateur n'est pas raccordé au secteur	Raccorder le transformateur au secteur	
		Transformateur défectueux	Remplacer le transformateur	
		Commande défectueuse	Remplacer la commande	

## 6 Dépannage

Défaut	Cause éventuelle	Remède
Pas de débit d'eau	La pompe de filtration n'est pas connectée	Connecter la pompe de filtration, brancher la fiche secteur.
	Conduit d'alimentation bouché en direction du système de filtration ou conduit de retour bouché en direction du bassin	Nettoyer les conduits d'alimentation ou de retour
Débit d'eau insuffisant	Tuyau plié/coudé ou bouché	Contrôler le tuyau, le nettoyer, éventuellement le remplacer
	Pertes excessives dans les tuyaux	Réduire la longueur du tuyau au minimum requis
	Le débit de pompage est insuffisant	Adapter le débit du pompage
L'eau ne devient pas claire	Brassage de l'eau trop faible	<ul style="list-style-type: none"> <li>Adapter le débit du pompage</li> </ul>
	L'eau est extrêmement sale	<ul style="list-style-type: none"> <li>Optimiser le brassage de l'eau dans l'étang</li> <li>Enlever les algues et les feuilles de l'étang</li> <li>Changer l'eau</li> <li>En cas de charge élevée, remplacer 30% de l'eau pour éviter de nuire aux poissons.</li> </ul>
	Population animale trop élevée	Réduire la population animale Valeur indicative : env. 2 ft (60 cm) de longueur de poisson pour 265 gal (1 m <sup>3</sup> ) d'eau d'étang/bassin
	La crépine ScreenMatic est bouchée Les mousses filtrantes sont colmatées	Nettoyer ou remplacer la crépine ScreenMatic Nettoyage des mousses filtrantes
Aucune arrivée d'eau à l'entrée du bassin	L'entrée dans le bassin est bouchée	Nettoyer l'entrée dans le bassin
	La pompe de filtration n'est pas en service	Connecter la pompe de filtration
Le niveau d'eau dans le récipient est trop bas, les mousses filtrantes ne sont pas complètement sous l'eau	Avec des mousses filtrantes neuves, le niveau d'eau est tout d'abord plus faible car il n'existe pas encore de populations bactériennes.	<ul style="list-style-type: none"> <li>Attendre quelques semaines jusqu'à ce que la pleine capacité d'épuration biologique soit atteinte.</li> <li>Nous conseillons d'utiliser l'activateur de filtration Biokick pour accélérer la prolifération des populations bactériennes.</li> </ul>
	Absence de paroi de séparation (uniquement BioTec ScreenMatic <sup>2</sup> 18000)	<ul style="list-style-type: none"> <li>Mettre la paroi de séparation en place</li> </ul>

## 7 Nettoyage et entretien



### AVERTISSEMENT

La mort ou des blessures graves dues à une tension électrique dangereuse !

- Toujours couper l'alimentation électrique de tous les appareils se trouvant dans l'eau avant tout contact avec l'eau.
- Couper la tension secteur avant toute exécution de travaux sur l'appareil.
- N'utiliser ni des produits de nettoyage agressifs, ni des solutions chimiques qui risqueraient d'attaquer le corps ou d'entraver le fonctionnement de l'appareil.
- Produits de nettoyage recommandés en cas d'entartrages tenaces :
  - Nettoyant pour pompe PumpClean de OASE.
  - Détergents ménagers exempts de vinaigre et de chlore.
- Après le nettoyage, rincer méticuleusement toutes les pièces à l'eau claire.

### 7.1 Opérations de nettoyage périodiques

- Vider le collecteur de salissures :
  - Le cycle de nettoyage dépend du taux de pollution de la pièce d'eau.
  - Retirer le collecteur de salissures : (→ Ouverture/fermeture du porte crépine)
- Nettoyer la crépine ScreenMatic
  - En cas de crépine ScreenMatic bouchée, nettoyer la crépine ScreenMatic en aval du distributeur d'eau avec la brosse. Pour cela, manuellement activer la crépine SceenMatic. (→ Nettoyage manuel)
  - Effectuer un nettoyage intensif avec le nettoyant pour pompe PumpClean de OASE : (→ Nettoyage/Remplacement de la crépine-ScreenMatic)

### 7.2 Nettoyage des mousses filtrantes

- Les mousses filtrantes doivent être nettoyées dès que l'eau dépasse de 100 % le marquage sur la paroi de séparation.
- Ne pas utiliser de produits chimiques pour le nettoyage, car ceux-ci tuent les bactéries filtrantes.

Prérequis :

- La pompe filtrante est déconnectée.
- Le récipient est ouvert. (→ Ouverture du récipient)
- Le porte-crèpine est rabattu vers le haut. (→ Ouverture/fermeture du porte crépine)
- BioTec ScreenMatic<sup>2</sup> 24000: La paroi de séparation est retirée et les tubes à substrat sont détachés. (→ Nettoyage/Remplacement des tubes à substrat)
- Le niveau de l'eau a baissé pour atteindre le niveau de la sortie voire un niveau inférieur.

Voici comment procéder :

O, P

BioTec ScreenMatic<sup>2</sup> 18000/24000:

1. Fermer la sortie en introduisant le capuchon obturateur de l'intérieur dans la sortie.
  - Pour faciliter l'accès, retirer la paroi de séparation.
2. Mettre la pompe de filtration en marche jusqu'à ce que les mousses filtrantes soient recouvertes d'eau puis ensuite arrêter la pompe de filtration.
3. Presser plusieurs fois les mousses filtrantes avec le nettoyeur pour mousse.
4. Laisser l'eau souillée s'écouler.
  - Ouvrir la vanne guillotine pour le conduit d'écoulement des impuretés et vider le récipient, puis la refermer.
5. En cas de besoin, répéter les étapes 2... 4.
6. Rincer le récipient à l'eau claire pour éliminer les salissures dissoutes. Pour cela, exécuter l'étape 2 puis ensuite l'étape 4.
7. Enlever le capuchon obturateur à l'intérieur de la sortie.
8. Fermer la vanne guillotine du conduit d'écoulement des salissures.
9. Fermer le porte-crèpine en le rabattant (→ Ouverture/fermeture du porte crépine), mettre le collecteur de salissures en place et connecter la pompe de filtration.

Q

BioTec ScreenMatic<sup>2</sup> 38000:

1. Fermer la sortie en introduisant le capuchon obturateur de l'intérieur dans la sortie.
2. Mettre la pompe de filtration en marche jusqu'à ce que les mousses filtrantes soient recouvertes d'eau puis ensuite arrêter la pompe de filtration.
3. Presser plusieurs fois les mousses filtrantes avec le nettoyeur pour mousse.
4. Laisser l'eau souillée s'écouler.
  - Ouvrir la vanne guillotine pour le conduit d'écoulement des impuretés et vider le récipient, puis la refermer.
5. En cas de besoin, répéter les étapes 2 ... 4.
6. Rincer le récipient à l'eau claire pour éliminer les salissures dissoutes. Pour cela, exécuter l'étape 2 puis ensuite l'étape 4.
7. Enlever le capuchon obturateur à l'intérieur de la sortie.
8. Fermer la vanne guillotine du conduit d'écoulement des salissures.
9. Fermer le porte-crêpine en le rabattant (→ Ouverture/fermeture du porte crêpine), mettre le collecteur de salissures en place et connecter la pompe de filtration.

### 7.3 Nettoyage/Remplacement des tubes à substrat

Les tubes à substrat sont fournis remplis de zéolithe. OASE conseille de remplacer la zéolithe par du Phosless lorsque la pleine capacité d'épuration biologique des mousses filtrantes est atteinte.

Prérequis :

- La pompe filtrante est déconnectée.
- Le récipient est ouvert. (→ Ouverture du récipient)
- Le porte-crêpine est rabattu vers le haut. (→ Ouverture/fermeture du porte crêpine)

Voici comment procéder :

 R

BioTec ScreenMatic<sup>2</sup> 18000:

1. Retirer la paroi de séparation.
2. Retirer les tubes à substrat et les nettoyer ou remplacer le remplissage.
  - BioTec ScreenMatic<sup>2</sup> 18000: Trois tubes à substrat
  - Lors de la mise en place des tubes à substrat, les pousser contre la paroi opposée à la sortie.

 S

BioTec ScreenMatic<sup>2</sup> 24000:

1. Retirer la paroi de séparation.
2. Retirer les tubes à substrat et les nettoyer ou remplacer le remplissage.
  - BioTec ScreenMatic<sup>2</sup> 24000: Quatre tubes à substrat
  - Deux tubes à substrats à gauche et à droite de la sortie.

 T

BioTec ScreenMatic<sup>2</sup> 38000:

- Séparément enlever les tubes à substrat et les nettoyer ou remplacer le remplissage.
  - BioTec ScreenMatic<sup>2</sup> 38000: Douze tubes à substrat

## 7.4 Nettoyage/Remplacement de la crépine-ScreenMatic

Prérequis :

- La pompe filtrante est déconnectée.
- Le récipient est ouvert. (→ Ouverture du récipient)
- Le collecteur de salissures est retiré. (→ Ouverture/fermeture du porte crépine)

Voici comment procéder :

U

1. Enlever la vis de fixation de commande, retirer la commande et la mettre de côté avec précaution.
  - Si nécessaire, retirer la fiche de conduite de moteur sur la commande.
  - Marquer la position de la commande sur un côté pour le remontage.
2. Sortir l'unité à bande ScreenMatic du porte-crépine.
  - Biotec ScreenMatic<sup>2</sup> 18000: Appuyer des deux côtés sur les crochets de verrouillage et retirer l'unité à bande ScreenMatic.
  - Biotec ScreenMatic<sup>2</sup> 38000: Appuyer l'unité à bande-ScreenMatic en direction du distributeur d'eau et la retirer.
3. Desserrer les écrous sur la partie latérale, retirer l'élément latéral et le racleur.
4. Débloquer le levier de serrage et retirer la crépine ScreenMatic.
  - Meticuleusement nettoyer le racleur.
  - Meticuleusement nettoyer la crépine ScreenMatic des deux côtés. Si nécessaire, remplacer la crépine ScreenMatic.
  - Pour le nettoyage, utiliser le nettoyant pour pompe PumpClean de OASE.
5. Remonter l'unité à bande ScreenMatic en suivant l'ordre inverse et mettre le porte-crépine en place.
  - La manette de serrage doit s'enclencher lors de la tension de la crépine ScreenMatic.

## 7.5 Remplacement des mousses filtrantes

Prérequis :

- La pompe filtrante est déconnectée.
- Le récipient est ouvert. (→ Ouverture du récipient)
- Le porte-crépine est rabattu vers le haut. (→ Ouverture/fermeture du porte crépine)

Voici comment procéder :

V

1. Presser contre les deux crochets de verrouillage sur le support de mousse.
2. Retirer la plaque de support de mousse et la mousse filtrante.
3. Mettre une nouvelle mousse filtrante en place sur le support de mousse, recouvrir avec la plaque de maintien de mousse et presser jusqu'à ce que les deux crochets de verrouillage s'enclenquent dans la plaque de maintien.



### REMARQUE

Recommandation pour le remplacement des mousses filtrantes :

- Toujours partiellement remplacer les mousses filtrantes et à intervalle hebdomadaire afin que la capacité d'épuration biologique ne soit pas trop perturbée.
- Simultanément remplacer au maximum 50% des mousses filtrantes.



## 8 Stockage / entreposage pour l'hiver

### L'appareil est protégé contre le gel :

L'exploitation de l'appareil est possible lorsque la température minimale de l'eau de +4 °C est respectée.

En hiver, la température de l'eau des zones d'étang qui se trouvent en grande profondeur est d'env. +4°C et celles-ci sont d'une importance vitale pour les poissons. Les mesures à prendre qui suivent permettent la réduction du refroidissement de l'eau par la circulation à travers le système de filtration.

- Positionner la pompe plus près de la surface de l'eau pour que seule l'eau froide soit pompée dans les zones de bassin qui se trouvent plus haut.
- Isoler les conduites de retour du système de filtration dans le bassin.
- Ne pas laisser l'eau s'écouler dans le bassin par le biais d'un cours de ruisseau.

### L'appareil n'est pas protégé contre le gel :

Mettre l'appareil hors service lors de températures inférieures à +8 °C ou au plus tard lorsque le gel est annoncé.

- Vidanger l'appareil autant qu'il est possible de le faire, procéder à un nettoyage soigneux et vérifier l'absence de dommages.
- Vider l'ensemble des tuyaux, conduites et raccords autant que possible.
- Laisser le robinet d'arrêt ouvert.
- Couvrir le récipient pour filtre pour empêcher l'eau de pluie d'y pénétrer.
- Protéger les conduites et les robinets d'arrêt contenant de l'eau contre le gel.

## 9 Pièces d'usure

- Mousses filtrantes
- Tube à substrat
- Crépine ScreenMatic

## 10 Recyclage



### REMARQUE

Il est interdit de mettre cet appareil au rebut en l'évacuant vers la gestion des ordures ménagères.

- Rendre l'appareil inutilisable en coupant le câble et le mettre au rebut en utilisant le système de retour prévu à cet effet.

## 11 Caractéristiques techniques

Descriptif			BioTec ScreenMatic <sup>2</sup>		
			18000	24000	38000
Bloc d'alimentation électrique	Tension de mesure, primaire	V CA	120	120	120
	Fréquence de réseau	Hz	60	60	60
	Tension assignée, secondaire	V CC	12	12	12
	Température ambiante admissible	*F (*C)	14 ... 95 (-10 ... +35)	14 ... 95 (-10 ... +35)	14 ... 95 (-10 ... +35)
Commande	Puissance absorbée	W	5	5	5
	Température ambiante admissible	*F (*C)	14 ... 95 (-10 ... +35)	14 ... 95 (-10 ... +35)	14 ... 95 (-10 ... +35)
Longueur de câble	Bloc d'alimentation électrique	ft (m)	7 (2.10)	7 (2.10)	7 (2.10)
	Commande	ft (m)	16.4 (5.00)	16.4 (5.00)	16.4 (5.00)
Éponge filtrante	Nombre bleu	pce.	2	4	4
	Nombre rouge	pce.	3	6	7
	Nombre violet	pce.	3	6	7
Granulés filtrants spéciaux	lbs (kg)	7.7 (3.50)	11 (5.00)	31.9 (14.50)	
Séparation des grosses impuretés	µm	300	300	300	
Température d'eau admissible	*F (*C)	39 ... 95 (+4 ... +35)	39 ... 95 (+4 ... +35)	39 ... 95 (+4 ... +35)	
Entrée	Nombre	pce.	2	2	2
	Raccordement embout à étage	mm	25, 32, 38	25, 32, 38, 50	25, 32, 38, 50
		inch	1, 1¼, 1½	1, 1¼, 1½, 2	1, 1¼, 1½, 2
	Raccordement préclarificateur à UVC			Bitron C 55 W / 110 W Vitronic 18 W / 36 W	
Sortie	Nombre	pce.	1	1	1
	Prise		DN 75	DN110	DN 110
Sortie de salissures	Nombre	pce.	1	1	1
	Prise		DN 50	DN50	DN 75
Débit de recirculation	minimal	gal/h (l/h)	1580 (6000)	2100 (8000)	2110 (8000)
	maximal	gal/h (l/h)	2900 (11000)	3300 (12500)	4620 (17500)
Volume de pièce d'eau maximal	sans poissons	gal (m <sup>3</sup> )	18000 (68)	24000 (90)	38000 (144)
	avec poissons	gal (m <sup>3</sup> )	9000 (34)	12000 (45)	19000 (72)
	avec koi (carpe japonaise)	gal (m <sup>3</sup> )	4500 (17)	6000 (22.5)	9500 (36)
Dimensions	Longueur	inch (mm)	31.2 (788)	31 (788)	47.2 (1200)
		inch (mm)	23.2 (590)	23.2 (590)	31.5 (800)
	Hauteur	inch (mm)	21.8 (554)	25.75 (654)	30 (760)
Poids	sans eau	lbs (kg)	55 (25)	66.1 (30)	209 (95)

## Índice

1	Sobre estas instrucciones de uso .....	44
1.1	Símbolos en estas instrucciones.....	44
1.1.1	Indicaciones de advertencia.....	44
1.1.2	Otras indicaciones.....	44
2	Descripción del producto.....	44
2.1	Estructura del equipo .....	44
2.2	Características.....	45
2.3	Uso conforme a lo prescrito .....	45
2.4	Posible uso erróneo .....	45
2.5	Acceso al equipo .....	46
2.5.1	Abertura del recipiente .....	46
2.5.2	Abertura/ cierre del soporte de la criba .....	46
3	Emplazamiento y conexión .....	46
3.1	Planificación del emplazamiento.....	46
3.1.1	Condiciones óptimas del entorno y de servicio.....	46
3.1.2	Distancia a las aguas .....	47
3.1.3	Medidas de protección en piscinas naturales .....	47
3.2	Conexión de la entrada .....	47
3.3	Conexión del equipo clarificador UVC .....	48
3.4	Conexión de la salida.....	48
3.5	Conexión de la salida de suciedad .....	48
3.6	Establecimiento de la conexión eléctrica .....	48
4	Puesta en marcha .....	49
4.1	Activador de filtrado biológico .....	49
4.2	Secuencia de la puesta en marcha.....	49
4.3	Ajuste del control.....	50
5	Operación .....	50
5.1	Panel de control .....	50
5.2	Limpieza manual .....	51
5.3	Limpieza automática .....	51
5.4	Limpieza en función del tiempo.....	51
5.5	Mensajes del sistema.....	52
6	Eliminación de fallos .....	52
7	Limpieza y mantenimiento .....	53
7.1	Trabajos de limpieza regulares.....	53
7.2	Limpieza de los elementos de espuma filtrantes.....	53
7.3	Limpieza/ sustitución de los tubos de sustrato .....	54
7.4	Limpieza/ sustitución de la criba ScreenMatic.....	55
7.5	Sustitución de los elementos de espuma filtrantes.....	55
8	Almacenamiento / Conservación durante el invierno .....	56
9	Piezas de desgaste.....	56
10	Desecho .....	56
11	Datos técnicos.....	57
	Piezas de recambio .....	57

Traducción de las instrucciones de uso originales

## 1 Sobre estas instrucciones de uso

Bienvenido a OASE Living Water. La compra del producto **BioTec ScreenMatic<sup>2</sup> 18000/24000/38000** es una buena decisión.

Lea minuciosamente las instrucciones y familiarícese con el equipo antes de usar el mismo por primera vez. Todos los trabajos en y con este equipo sólo se deben ejecutar conforme a estas instrucciones.

Tenga necesariamente en cuenta las indicaciones de seguridad para garantizar un uso correcto y seguro del equipo.

Guarde cuidadosamente estas instrucciones. Entregue estas instrucciones al nuevo propietario en caso de cambio de propietario.

### 1.1 Símbolos en estas instrucciones

#### 1.1.1 Indicaciones de advertencia

Las indicaciones de advertencia contenidas en estas instrucciones están clasificadas mediante palabras de advertencia que muestran la dimensión del peligro.



#### ADVERTENCIA

- Denomina una situación posiblemente peligrosa.
- En caso de incumplimiento, la consecuencia puede ser la muerte o una lesión muy grave.



#### INDICACIÓN

Informaciones que sirven para una mejor comprensión o la prevención de posibles daños materiales o medioambientales.

#### 1.1.2 Otras indicaciones

- A Referencia a una ilustración, p. ej. ilustración A.
- Referencia a otro capítulo.

## 2 Descripción del producto

### 2.1 Estructura del equipo

<input type="checkbox"/> A	Unidad de cinta <b>ScreenMatic</b>
1	Control
2	Panel de control
3	Sensor en el lado inferior del control <ul style="list-style-type: none"> <li>• En caso de contacto del sensor con el agua en la criba ScreenMatic se activa una limpieza automática.</li> </ul>
4	Rascador <ul style="list-style-type: none"> <li>• Rasca la suciedad de la criba ScreenMatic y la transporta a la cesta de suciedad</li> </ul>
5	Criba ScreenMatic
6	Marca "Chorro de agua máximo" <ul style="list-style-type: none"> <li>• Si fuera necesario evacua la suciedad por enjuague de la cesta de suciedad, cuando el chorro de agua del distribuidor de agua sobrepasa la marca</li> </ul>
7	Transformador <ul style="list-style-type: none"> <li>• Alimentación de tensión para el control y el motor</li> </ul>
8	Motor <ul style="list-style-type: none"> <li>• Accionamiento de la unidad de cinta ScreenMatic</li> </ul>

<input type="checkbox"/> B, C	<b>BioTec ScreenMatic<sup>2</sup> 18000/24000/38000</b>
1	Entradas, dos unidades
2	Distribuidor de agua
3	Prolongación del distribuidor
4	Cepillo para la limpieza regular de la criba ScreenMatic
5	Tubo de sustrato <ul style="list-style-type: none"> <li>• BioTec ScreenMatic<sup>2</sup> 18000: 3 unidades</li> <li>• BioTec ScreenMatic<sup>2</sup> 24000: 4 unidades</li> <li>• BioTec ScreenMatic<sup>2</sup> 38000: 12 unidades</li> </ul>
6	Pared de separación <ul style="list-style-type: none"> <li>• En el BioTec ScreenMatic<sup>2</sup> 18000/24000 desmontable para realizar los trabajos de mantenimiento</li> </ul>
7	España filtrante <ul style="list-style-type: none"> <li>• BioTec ScreenMatic<sup>2</sup> 18000: 8 unidades</li> <li>• BioTec ScreenMatic<sup>2</sup> 24000: 16 unidades</li> <li>• BioTec ScreenMatic<sup>2</sup> 38000: 18 unidades</li> </ul>
8	Tapón para cerrar la salida (13) <ul style="list-style-type: none"> <li>• Durante la limpieza de las esponjas filtrantes con la salida cerrada, el agua sucia no retorna al estanque</li> </ul>
9	Salida de suciedad
10	Limpiador de espuma
11	Soporte para el limpiador de espuma
12	Válvula de compuerta para la salida de suciedad
13	Cesta de suciedad
14	Salida

## 2.2 Características

- Filtro continuo de gran eficacia para estanques hasta 18000/24000/38000 gal.
- Criba ScreenMatic con accionamiento eléctrico para la separación automática de la suciedad gruesa.
- Gracias a la separación de la suciedad gruesa sólo son necesarios pocos trabajos de mantenimiento del filtro.
- Sumidero de fondo con válvula para eliminar la suciedad del sistema de filtrado.
- Limpieza cómoda de las esponjas filtrantes directamente en el filtro.
- Ajustado de forma óptima a las bombas de filtro AquaMax Eco de OASE.
- Posibilidad de conexión directa para los equipos clarificadores UVC de OASE de la serie Vitronic 18W/36W y Bitron C.
- Empleo de diferentes medios filtrantes para el desarrollo óptimo de la biología de filtro.

## 2.3 Uso conforme a lo prescrito

BioTec ScreenMatic<sup>2</sup> 18000/24000/38000, denominado "equipo", se puede utilizar sólo de la forma siguiente:

- Para limpiar los estanques de jardín.
- Operación observando los datos técnicos. (→ Datos técnicos)

## 2.4 Posible uso erróneo

Para el equipo son válidas las siguientes limitaciones:

- Operación sólo con agua a una temperatura del agua de +4 °C a +35 °C.
- No transporte nunca otros líquidos que no sea el agua.
- No emplee el equipo para fines industriales.
- No apropiado para agua salada.
- No emplee el equipo en combinación con productos químicos, alimentos y sustancias fácilmente inflamables o explosivas.

## 2.5 Acceso al equipo

- Quitar la tapa del recipiente: Acceso al control.
- Poner el soporte de la criba a la posición alta: Acceso a las esponjas filtrantes de los tubos de sustrato, la pared de separación y la salida.

### 2.5.1 Abertura del recipiente

E

- BioTec ScreenMatic<sup>2</sup> 18000/24000: Suelte el gancho de retención, levante la tapa y quítela.
- BioTec ScreenMatic<sup>2</sup> 38000: Eleve la tapa por las empuñaduras y desmóntela.
  - Atornille las empuñaduras en la tapa. Las empuñaduras no están montadas al suministro.



#### INDICACIÓN

Opere el equipo sólo con la tapa del recipiente colocada.

### 2.5.2 Abertura/ cierre del soporte de la criba

Proceda de la forma siguiente:

F

Abertura

1. Saque la cesta de suciedad.
2. Ponga la prolongación del distribuidor a la posición alta.
3. Abra el soporte de la criba con la unidad de cinta ScreenMatic.

Cierre

4. Cierre cuidadosamente el soporte de la criba.
5. Presione la prolongación del distribuidor hacia abajo hasta que se enclave de forma perceptible.
6. Coloque la cesta de suciedad.

## 3 Emplazamiento y conexión

### 3.1 Planificación del emplazamiento



#### INDICACIÓN

Emplee medios de transporte y de agarre apropiados para transportar y emplazar el equipo. El equipo pesa más de 25 kg. (→ Datos técnicos)

#### 3.1.1 Condiciones óptimas del entorno y de servicio

Con una planificación pensada y la consideración de las condiciones del entorno se logran óptimas condiciones de servicio.

- El filtro tiene un peso elevado en estado lleno. Por esta razón seleccione una base apropiada (como mínimo placas, mejor un hormigón) para evitar un hundimiento.
- Alinee la placa de base de forma horizontal.
- Considere un espacio suficiente para realizar los trabajos de limpieza y mantenimiento.
- Guíe el agua sucia al alcantarillado o alejada del estanque para que no pueda retornar al estanque.
- No posicione la entrada en el estanque más alta que la salida del sistema de filtrado (p. ej. sobre un arroyo o una cascada).



#### INDICACIÓN

Para retornar el agua al estanque se apropia de forma óptima un arroyo o cascada.

De esta forma aumenta el contenido de oxígeno del agua de estanque filtrada antes de que refluya al estanque.

### 3.1.2 Distancia a las aguas

G

Los componentes eléctricos del sistema de filtrado trabajan con una tensión de referencia de  $U_{CC} = 12V$ . La tensión de alimentación suministra un transformador externo que se conecta a la red de corriente.

- Sistema de filtrado sin equipo preclarificador UVC montado:
  - El sistema de filtrado y el transformador tienen que tener una distancia mínima de 2 m al agua.
- Sistema de filtrado sin equipo preclarificador UVC montado:
  - El sistema de filtrado puede encontrarse directamente en el agua. El transformador tiene que tener una distancia mínima de 2 m al agua.

### 3.1.3 Medidas de protección en piscinas naturales

Tenga en cuenta las condiciones siguientes para el emplazamiento en seco:

H, I

- Para el emplazamiento sumergido sólo están permitidas bombas con una tensión de  $\leq 12V$ .
- Para el emplazamiento en seco están permitidas bombas con una tensión de  $\geq 12V$  si se cumple la distancia de seguridad necesaria al estanque.

### 3.2 Conexión de la entrada

El sistema de filtrado tiene dos entradas con boquillas de manguera escalonada.

- Conexión de una bomba de filtro.
- Conexión de un equipo preclarificador UVC. (→ Conexión del equipo clarificador UVC)
- En la entrada que no se usa se monta una boquilla de manguera escalonada cerrada.
  - Las boquillas de manguera escalonada están cerradas al suministro.

Condición:

- El recipiente está abierto. (→ Abertura del recipiente)
- El soporte de la criba está abierto. (→ Abertura/ cierre del soporte de la criba)

Proceda de la forma siguiente:

J

1. Acorte la boquilla de manguera escalonada al diámetro de la manguera que se emplea.
  - De esta forma se reducen las pérdidas de presión.
2. Coloque la boquilla de manguera escalonada con la junta plana en la abertura de entrada.
3. Atornille el tornillo de paso con junta tórica en la boquilla de manguera escalonada y apriételo a mano.
  - BioTec ScreenMatic<sup>2</sup> 38000: Como alternativa se puede montar una boquilla de manguera de 50 mm (2").
4. Desplace la abrazadera de manguera sobre la manguera, coloque la manguera en la boquilla de manguera y asegúrela con la abrazadera de manguera.

### 3.3 Conexión del equipo clarificador UVC

Condición:

- El recipiente está abierto. (→ Abertura del recipiente)
- El soporte de la criba está abierto. (→ Abertura/ cierre del soporte de la criba)

Proceda de la forma siguiente:

K

1. Coloque el equipo clarificador UVC con la junta plana en la abertura de entrada.
2. Atornille el tornillo de paso con junta tórica en la boquilla de manguera escalonada y apriételo a mano.
  - Lea las instrucciones de uso del equipo clarificador UVC.

### 3.4 Conexión de la salida

- Emplee tuberías apropiadas.
- No emplee secciones de tubo rectangulares. Los codos con un ángulo máximo de 45° tienen la eficiencia más alta.
- El agua estancada no puede purgar en caso de fuertes heladas y provoca que las tuberías revienten. Tienda por esta razón las tuberías y mangueras con una inclinación (50 mm/m) para que puedan vaciarse.
- Medidas de la tubería: (→ Datos técnicos)

#### Montaje de la salida DN 110

BioTec ScreenMatic<sup>2</sup> 38000: La salida no está montada al suministro.

Condición:

- El recipiente está abierto. (→ Abertura del recipiente)

Proceda de la forma siguiente:

L

1. Coloque la junta tórica en la salida.
2. Coloque la salida por fuera en la pared del recipiente.
  - La marca pronunciada como nariz tiene que indicar hacia arriba y estar alineada con la configuración de agujeros.
3. Fije la salida por dentro con los tornillos alomados.
  - Apriete en cruz todos los tornillos con un destornillador a batería para que la junta se apoye uniformemente. Reapriete los tornillos con un destornillador de estrella.



#### INDICACIÓN

Monte los apoyos para aumentar la estabilidad de las construcciones de tubo y evitar un comado de la construcción de tubo en la salida.

### 3.5 Conexión de la salida de suciedad

Si fuera necesario (limpieza, reparación, conservación durante el invierno), el agua en el recipiente se puede purgar a través de la salida de suciedad con válvula de cierre en el fondo del recipiente.

- Conecte la tubería y guíe el agua sucia p. ej. a la cama de flores o al alcantarillado.
- Medidas de la tubería: (→ Datos técnicos)

### 3.6 Establecimiento de la conexión eléctrica

Proceda de la forma siguiente:

M

1. Guíe el cable de conexión del control por la abertura en la pared del recipiente y cierre la abertura con el tapón.
  - Garantice una longitud del cable de conexión que evite una tracción en el cable de conexión a la abertura de la unidad de cinta ScreenMatic.
  - Evite un nudo de cables en el recipiente.
2. Enchufe la clavija del cable de conexión en el conector del transformador y apriete la tuerca racor con la mano.



## 4 Puesta en marcha



### INDICACIÓN

Quite la lámina protectora de los tubos de sustrato y coloque los tubos de sustrato en el recipiente.  
(→ Limpieza/ sustitución de los tubos de sustrato)

- Los tubos de sustrato están empaquetados en láminas protectoras al suministro.

- Limpie minuciosamente el estanque antes de la primera puesta en marcha para que el sistema de filtrado no sufra una sobrecarga debido a mucha suciedad en el agua. OASE recomienda para la limpieza el aspirador de lodo de estanque PondoVac.
  - La limpieza no es necesaria si el estanque es nuevo.
- El sistema de filtrado se tiene que operar las 24 horas del día durante la temporada de estanque

### 4.1 Activador de filtrado biológico

Las esponjas filtrantes alcanzan su pleno efecto de limpieza biológica sólo después de algunas semanas. Para la colonización rápida de las poblaciones de bacterias se recomienda el activador de filtrado Biokick de OASE. Los microorganismos colonizan el sistema de filtrado, se reproducen y mediante la descomposición de nutrientes excesivos aumentan la calidad del agua de estanque.



### INDICACIÓN

Si se usan activadores de filtrado, medicamentos o productos de limpieza de estanques deje desconectado el equipo preclarificador UVC como mínimo 36 horas para no mermar el efecto de los productos.

### 4.2 Secuencia de la puesta en marcha

Proceda de la forma siguiente:

1. Cierre la válvula de cierre para la salida de suciedad.
2. Controle si el sistema de filtrado (tuberías y mangueras) está completo.
3. Quite la tapa del recipiente.
4. Conecte el transformador para el control con la red de corriente.
5. Conecte la bomba de filtro y el equipo preclarificador UVC si fuera necesario.
  - El agua tiene que retornar al estanque a través del retorno.
6. Compruebe la estanqueidad de todas las tuberías, mangueras y sus conexiones.
  - Las juntas de expansión pueden tener fugas al comienzo porque se obturan completamente cuando contactan con el agua.
7. Si fuera necesario, ajuste el control al caudal. (→ Ajuste del control)
8. Compruebe el funcionamiento de la unidad de cinta ScreenMatic. (→ Operación)
9. Coloque la tapa del recipiente.



### INDICACIÓN

Sólo cuando se alcanza el pleno efecto de limpieza biológica se ajusta el nivel de agua definitivo en el recipiente.

- Las esponjas filtrantes nuevas alcanzan su pleno efecto de limpieza biológica sólo después de aprox. 3 a 4 semanas. El nivel de agua es más bajo al inicio, las esponjas filtrantes no están cubiertas completamente con agua. El filtro puede rebosar durante la formación de la biología. Limpie las esponjas filtrantes sólo después de 3 a 4 semanas.
- El filtro no tiene ningún efecto de limpieza biológica a temperaturas del agua por debajo de 10 °C. El filtro puede rebosar. No es necesario una limpieza.



### INDICACIÓN

Los tubos de sustrato tienen que estar completamente bajo el agua para lograr un efecto máximo. Es posible que el nivel del agua en el recipiente esté demasiado bajo para esto en dependencia de la configuración del sistema.

- En este caso, coloque el tubo de sustrato superior en un lugar bien fluidizado directamente en el estanque.

### 4.3 Ajuste del control

#### Ajuste del control sólo después de la fase de puesta en marcha

- Es posible que por la inmersión de la bomba en el estanque se levante demasiada suciedad y la criba ScreenMatic se rebose a la puesta en marcha inmediata del sistema de filtrado.
- El sistema de filtrado requiere una fase de puesta en marcha de 2 a 3 horas. Ajuste después el control si fuera necesario.
- Ajuste el control de forma que el sensor se conecte sólo cuando el reborde de suciedad esté bien formado.
  - El rascador puede quitar de forma óptima el reborde de suciedad bien formado y transportarlo a la cesta de suciedad.
  - El cepillo rascador debajo de la criba ScreenMatic recoge la suciedad fina que cae a la cesta de suciedad.

Proceda de la forma siguiente:

N

1. Quite el tornillo en el control y saque el control.
2. Coloque el control en la posición determinada, ponga el tornillo y apriételo a mano.

#### Ajuste del control en dependencia de la suciedad del estanque

El agua sucia por encima de la marca "chorro de agua máximo" no debe fluir directamente a la cesta de suciedad para evitar un ensuciamiento prematuro de las esponjas filtrantes.

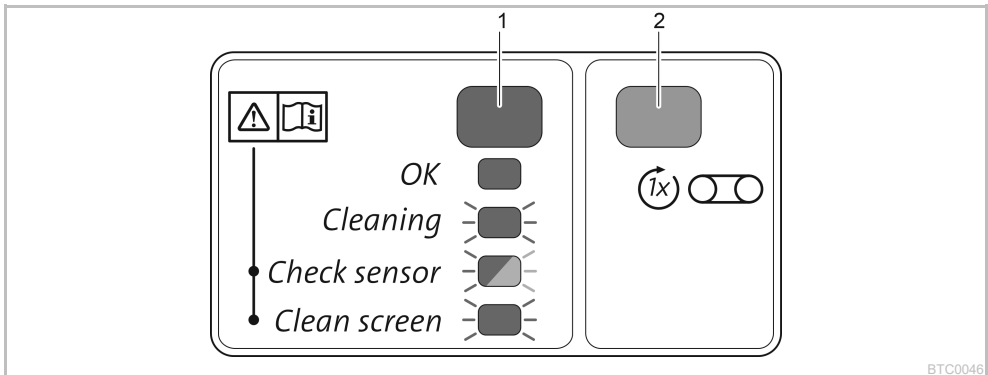
- Modifique la posición del control sólo cuando el agua a pesar de la limpieza de la criba ScreenMatic (con el cepillo adjunto) fluya en o encima de la marca "chorro de agua máximo". (→ Limpieza/ sustitución de la criba ScreenMatic)

#### Posiciones típicas del control

BioTec ScreenMatic <sup>2</sup> 18000		BioTec ScreenMatic <sup>2</sup> 24000		BioTec ScreenMatic <sup>2</sup> 38000	
<2110 gal/h (<8000 l/h)	<9	<2400 gal/h (<9000 l/h)	<10	<3170 gal/h (<12000 l/h)	<18
>2380 gal/h (>9000 l/h)	>9	>2900 gal/h (>11000 l/h)	>10	>4000 gal/h (>15000 l/h)	>18
Estado de suministro	9	Estado de suministro	10	Estado de suministro	18

## 5 Operación


### 5.1 Panel de control



BTC0046

1	LED, 2 colores	
	• Se ilumina verde	Unidad de cinta ScreenMatic lista para el servicio
	• Parpadea verde	Limpieza activa
	• Parpadea verde/ rojo	Error (→ Mensajes del sistema)
2	• Parpadea rojo	Error (→ Mensajes del sistema)
	Tecla, arrancar/ parar limpieza manual	(→ Limpieza manual)

## 5.2 Limpieza manual

Proceda de la forma siguiente	Descripción
Mantenga pulsada  1 s.	<p>La criba ScreenMatic gira 1 vuelta hacia adelante.</p> <ul style="list-style-type: none"> <li>Mantener pulsada de nuevo la tecla 1 s: El movimiento de giro se para antes de tiempo.</li> </ul>

## 5.3 Limpieza automática

Debido al aumento de la carga de suciedad también aumenta el nivel de agua en la criba ScreenMatic. En caso de contacto con el agua, el sensor activa en el control un movimiento de giro de la criba ScreenMatic. Gracias al repetido giro de la criba ScreenMatic hacia atrás de corta duración se forma un reborde de suciedad mayor que el rascador puede quitar mejor.

Secuencia de un ciclo de limpieza automática	Movimiento de giro de la criba ScreenMatic
Ensuciamiento normal	
1. Contacto del sensor con el agua	Brevemente hacia atrás
2. Contacto del sensor con el agua	Brevemente hacia atrás
3. Contacto del sensor con el agua	Brevemente hacia atrás
4. Contacto del sensor con el agua	<p>Una vuelta hacia adelante</p> <ul style="list-style-type: none"> <li>La carga de suciedad se transporta a la cesta de suciedad.</li> </ul>
Ensuciamiento fuerte o control mal ajustado (nivel de agua permanentemente aumentado en la criba ScreenMatic)	
1. Contacto del sensor con el agua	<p>Brevemente hacia atrás, después una vuelta hacia adelante.</p> <ul style="list-style-type: none"> <li>La carga de suciedad se transporta a la cesta de suciedad.</li> </ul>

## 5.4 Limpieza en función del tiempo

En dependencia de la temperatura del entorno, la unidad de cinta ScreenMatic ejecuta un ciclo de limpieza después de un intervalo fijo. De esta forma se garantiza una limpieza regular

- cuando el sensor está sucio o defectuoso,
- en caso de muy escasas cargas de suciedad y/o bajos caudales (p. ej. cuando está activado SFC de la bomba de filtro).

Temperatura del entorno	Intervalo	Movimiento de giro de la criba ScreenMatic
≤10 °C	6 horas	Una vuelta hacia adelante
10 °C a 20 °C	4 horas	<ul style="list-style-type: none"> <li>La carga de suciedad se transporta a la cesta de suciedad.</li> </ul>
≥20 °C	3 horas	

## 5.5 Mensajes del sistema

LED	Error	Causa probable	Acción correctora	Reponer el mensaje del sistema
Parpadea verde/ rojo	Ninguna limpieza automática en el plazo de 48 horas	Sensor sucio	<ul style="list-style-type: none"> <li>Limpiar el sensor</li> <li>Descalcificar el sensor</li> </ul>	Automáticamente después de la eliminación del error
		La limpieza no es necesaria si el agua no está sucia.	–	
	No hay flujo de agua	La bomba de filtro no funciona	Poner la bomba de filtro en funcionamiento	
	El sensor no reconoce el agua	Control en posición errónea	Posicionar correctamente el control	
		Control defectuoso	Sustituir el control	
		Muy poca conductividad del agua	Aumentar la dureza del agua con OptiPond	
Potencia de la bomba muy baja	Adapte la potencia de la bomba			
Parpadea rojo	20 procedimientos de limpieza automática seguidos	Criba ScreenMatic sucia	<ul style="list-style-type: none"> <li>Arrancar la limpieza manual y limpiar la criba ScreenMatic en el lado del distribuidor de agua con el cepillo (→ Limpieza manual)</li> <li>Limpiar la criba ScreenMatic por dentro cuando las mallas estén obstruidas por una película biológica (→ Limpieza/ sustitución de la criba ScreenMatic)</li> </ul>	Automáticamente después de la eliminación del error
		Sensor sucio	Limpiar el sensor	
		Control en posición errónea	Posicionar correctamente el control	
		Muy alta potencia de la bomba	Adapte la potencia de la bomba	
Parpadea verde	La criba ScreenMatic no gira a pesar de la activación de la limpieza manual	Clavija del cable del motor no enchufada o no correctamente enchufada en el control	Enchufar la clavija, comprobar el asiento correcto	–
		El motor está defectuoso	Sustituya el motor	
Apagado	La criba ScreenMatic no gira a pesar de la activación de la limpieza manual	Clavija del cable de conexión no enchufada o no correctamente enchufada en el transformador	Enchufar la clavija, comprobar el asiento correcto	–
		El transformador no está unido con la tensión de red	Unir el transformador con la tensión de red	
		Transformador defectuoso	Sustituir el transformador	
		Control defectuoso	Sustituir el control	

## 6 Eliminación de fallos

Fallo	Causa probable	Acción correctora
Ningún flujo de agua	La bomba de filtro no está conectada	Conecte la bomba de filtro, enchufe la clavija a la red
	Alimentación al sistema de filtrado o retorno al estanque obstruido	Limpie la alimentación y/o el retorno
Flujo de agua insuficiente	Manguera doblada o obstruida	Compruebe la manguera, límpiela, sustitúyala si fuera necesario
	Pérdidas excesivas en las mangueras	Reduzca la longitud de la manguera al mínimo necesario
	Potencia de la bomba muy baja	Adapte la potencia de la bomba
El agua no se aclara	Muy poca circulación del agua	<ul style="list-style-type: none"> <li>Adapte la potencia de la bomba</li> </ul>
	El agua está muy sucia.	<ul style="list-style-type: none"> <li>Optimize la circulación del agua en el estanque</li> <li>Elimine las algas y hojas del estanque</li> <li>Cambie el agua</li> <li>En caso de una alta carga cambie 30 % del agua para evitar daños en los peces.</li> </ul>
	Demasiados peces	Reduzca la cantidad de peces Valor orientativo; peces de aprox. 2 ft (60 cm) de longitud por 265 gal (1 m <sup>3</sup> ) de agua de estanque
	La criba ScreenMatic está obstruida Esponjas filtrantes sucias	Limpie o sustituya la criba ScreenMatic Limpie las esponjas filtrantes
No hay agua en la entrada del estanque	Entrada del estanque obstruida La bomba de filtro no funciona	Limpie la entrada del estanque Poner la bomba de filtro en funcionamiento
Nivel de agua en el recipiente muy bajo, las esponjas filtrantes no están completamente debajo del agua	El nivel de agua en las esponjas filtrantes nuevas es primeramente inferior porque todavía no hay poblaciones de bacterias.	<ul style="list-style-type: none"> <li>Espera algunas semanas hasta que se alcance el pleno efecto de limpieza biológica.</li> <li>Acelere la formación de las poblaciones de bacterias con el activador de filtrado Biokick de OASE.</li> </ul>
	Falta la pared de separación (sólo BioTec ScreenMatic <sup>2</sup> 18000)	<ul style="list-style-type: none"> <li>Coloque la pared de separación</li> </ul>

## 7 Limpieza y mantenimiento



### ADVERTENCIA

Son posibles la muerte o lesiones graves por tensión eléctrica peligrosa.

- Desconecte la tensión de alimentación de todos los equipos que se encuentran en el agua antes de tocar el agua.
- Antes de realizar trabajos en el equipo desconecte la tensión de alimentación.
- No emplee productos de limpieza o soluciones químicas agresivas, porque se puede dañar la caja o mermar el funcionamiento del equipo.
- Productos de limpieza recomendados en caso de calcificaciones persistentes:
  - Producto de limpieza para bombas PumpClean de OASE.
  - Productos de limpieza domésticos sin vinagre y cloro.
- Después de la limpieza enjuague minuciosamente todas las piezas con agua clara.

### 7.1 Trabajos de limpieza regulares

- Vaciado de la cesta de suciedad:
  - El ciclo de limpieza depende del ensuciamiento del estanque.
  - Desmontaje de la cesta de suciedad: (→ Abertura/ cierre del soporte de la criba)
- Limpieza de la criba ScreenMatic:
  - Si la criba ScreenMatic está obstruida, limpie la criba ScreenMatic detrás del distribuidor de agua con el cepillo. Para esto, active la criba SceenMatic de forma manual. (→ Limpieza manual)
  - Ejecute la limpieza intensiva con el limpiador de bomba PumpClean de OASE. (→ Limpieza/ sustitución de la criba ScreenMatic)

### 7.2 Limpieza de los elementos de espuma filtrantes

- Las esponjas filtrantes se tienen que limpiar cuando el agua sobrepase 100 % la marca en la pared de separación.
- No emplee productos de limpieza químicos porque éstos destruyen las bacterias de filtro.

Condición:

- La bomba de filtro está desconectada.
- El recipiente está abierto. (→ Abertura del recipiente)
- El soporte de la criba está abierto. (→ Abertura/ cierre del soporte de la criba)
- BioTec ScreenMatic<sup>2</sup> 24000: La pared de separación está sacada y el tubo de substrato está quitado. (→ Limpieza/ sustitución de los tubos de substrato)
- El nivel de agua en el recipiente ha bajado a la altura de la salida o está por debajo.

Proceda de la forma siguiente:

O, P

BioTec ScreenMatic<sup>2</sup> 18000/24000:

1. Introduzca el tapón desde dentro en la salida para cerrar la salida.
  - Si fuera necesario, saque la pared de separación para tener un mejor acceso.
2. Conecte la bomba de filtro hasta que las esponjas filtrantes estén cubiertas con agua y desconecte después la bomba de filtro.
3. Presione varias veces todas las esponjas filtrantes con el limpiador de espuma.
4. Deje purgar el agua sucia.
  - Abra la válvula de compuerta para la salida de suciedad y ciérrela de nuevo después del vaciado del recipiente.
5. Repita los pasos 2 a 4 si fuera necesario.
6. Enjuague el recipiente con agua clara para eliminar la suciedad suelta. Ejecute para esto primero el paso 2 y después el paso 4.
7. Quite el tapón que está adentro en la salida.
8. Cierre la válvula de compuerta para la salida de suciedad.
9. Cierre el soporte de la criba (→ Abertura/ cierre del soporte de la criba), coloque la cesta de suciedad y conecte la bomba de filtro.

Q

BioTec ScreenMatic<sup>2</sup> 38000:

1. Introduzca el tapón desde dentro en la salida para cerrar la salida.
2. Conecte la bomba de filtro hasta que las esponjas filtrantes estén cubiertas con agua y desconecte después la bomba de filtro.
3. Presione varias veces todas las esponjas filtrantes con el limpiador de espuma.
4. Deje purgar el agua sucia.
  - Abra la válvula de compuerta para la salida de suciedad y ciérrala de nuevo después del vaciado del recipiente.
5. Repita los pasos 2 a 4 si fuera necesario.
6. Enjuague el recipiente con agua clara para eliminar la suciedad suelta. Ejecute para esto primero el paso 2 y después el paso 4.
7. Quite el tapón que está adentro en la salida.
8. Cierre la válvula de compuerta para la salida de suciedad.
9. Cierre el soporte de la criba (→ Abertura/ cierre del soporte de la criba), coloque la cesta de suciedad y conecte la bomba de filtro.

### 7.3 Limpieza/ sustitución de los tubos de sustrato

Los tubos de sustrato están llenos con zeolita al suministro. OASE recomienda sustituir la zeolita por Phos-less cuando se haya alcanzado el pleno efecto de limpieza biológica de las esponjas filtrantes.

Condición:

- La bomba de filtro está desconectada.
- El recipiente está abierto. (→ Abertura del recipiente)
- El soporte de la criba está abierto. (→ Abertura/ cierre del soporte de la criba)

Proceda de la forma siguiente:

R

BioTec ScreenMatic<sup>2</sup> 18000:

1. Saque la pared de separación.
2. Saque los tubos de sustrato y límpielos o sustituya el relleno.
  - BioTec ScreenMatic<sup>2</sup> 18000: Tres tubos de sustrato
  - Desplace los tubos de sustrato a la pared frente a la salida a la colocación.

S

BioTec ScreenMatic<sup>2</sup> 24000:

1. Saque la pared de separación.
2. Saque los tubos de sustrato y límpielos o sustituya el relleno.
  - BioTec ScreenMatic<sup>2</sup> 24000: Cuatro tubos de sustrato
  - Dos tubos de sustrato a la izquierda de la salida y dos tubos de sustrato a la derecha de la salida.

T

BioTec ScreenMatic<sup>2</sup> 38000:

- Saque los tubos de sustrato por separado y límpielos o sustituya el relleno.
  - BioTec ScreenMatic<sup>2</sup> 38000: Doce tubos de sustrato

#### 7.4 Limpieza/ sustitución de la criba ScreenMatic

Condición:

- La bomba de filtro está desconectada.
- El recipiente está abierto. (→ Abertura del recipiente)
- La cesta de suciedad está quitada. (→ Abertura/ cierre del soporte de la criba)

Proceda de la forma siguiente:

U

1. Quite el tornillo para la fijación del control, saque el control y colóquelo cuidadosamente al lado.
  - Si fuera necesario, saque en el control la clavija de la línea del motor.
  - Para el remontaje marque la posición del control en una parte lateral.
2. Quite la unidad de cinta ScreenMatic del soporte de la criba.
  - Biotec ScreenMatic<sup>2</sup> 18000: Presione el gancho de retención a ambos lados y saque la unidad de cinta ScreenMatic.
  - Biotec ScreenMatic<sup>2</sup> 38000: Presione la unidad de cinta ScreenMatic en el sentido del distribuidor de agua y sáquela.
3. Suelte las tuercas en la parte lateral y quite la parte lateral y el rascador.
4. Suelte la palanca de sujeción y saque la criba ScreenMatic.
  - Limpie minuciosamente el rascador.
  - Limpie minuciosamente la criba ScreenMatic por ambos lados. Sustituya la criba ScreenMatic si fuera necesario.
  - Emplee para la limpieza el limpiador de bombas PumpClean de OASE.
5. Monte la unidad de cinta ScreenMatic en secuencia contraria y colóquela en el soporte de la criba.
  - Durante la sujeción de la criba ScreenMatic se tiene que enclavar la palanca de sujeción.

#### 7.5 Sustitución de los elementos de espuma filtrantes

Condición:

- La bomba de filtro está desconectada.
- El recipiente está abierto. (→ Abertura del recipiente)
- El soporte de la criba está abierto. (→ Abertura/ cierre del soporte de la criba)

Proceda de la forma siguiente:

V

1. Presione contra los dos ganchos de retención en el soporte de la esponja.
2. Quite la placa de fijación de la esponja y la esponja filtrante.
3. Desplace la nueva esponja filtrante en el soporte de la esponja, coloque la placa de fijación de la esponja y presiónela hacia abajo hasta que se enclaven los dos ganchos de retención en la placa de fijación de la esponja.



#### INDICACIÓN

Recomendación para la sustitución de las esponjas filtrantes:

- Sustituya siempre una parte de las esponjas filtrantes cada semana para que no se afecte demasiado el efecto de limpieza biológica.
- Sustituya como máximo el 50 % de las esponjas filtrantes al mismo tiempo.

## 8 Almacenamiento / Conservación durante el invierno

### El equipo está protegido contra las heladas:

El equipo se puede operar si se garantiza la temperatura mínima del agua de +4 °C.

Las regiones del estanque más profundas tienen en invierno una temperatura del agua de unos +4 °C y son vitales para los peces. Con las medidas siguientes se reduce el enfriamiento del agua durante la circulación por el sistema de filtrado:

- Posicione la bomba más cerca de la superficie del agua para que se bombee sólo agua más fría de las regiones del estanque más elevadas.
- Aísle las tuberías de retorno del sistema de filtrado en el estanque.
- El agua no debe retornar a través de un riachuelo en el estanque.

### El equipo no está protegido contra las heladas:

El equipo se tiene que poner fuera de servicio si la temperatura del agua baja por debajo de 8 °C o a más tardar cuando se esperen heladas.

- Vacíe el equipo en la medida posible, límpielo minuciosamente y compruebe si está dañado.
- Vacíe en la medida posible todas las mangueras, tuberías y conexiones.
- Mantenga la válvula de cierre abierta.
- Cubra el recipiente de filtro para que no pueda entrar agua de lluvia.
- Proteja las tuberías y las válvulas de cierre en las que hay agua contra las heladas.

## 9 Piezas de desgaste

- Elementos de espuma filtrantes
- Tubos de substrato
- Criba ScreenMatic

## 10 Desecho



### INDICACIÓN

Está prohibido desechar este equipo en la basura doméstica.

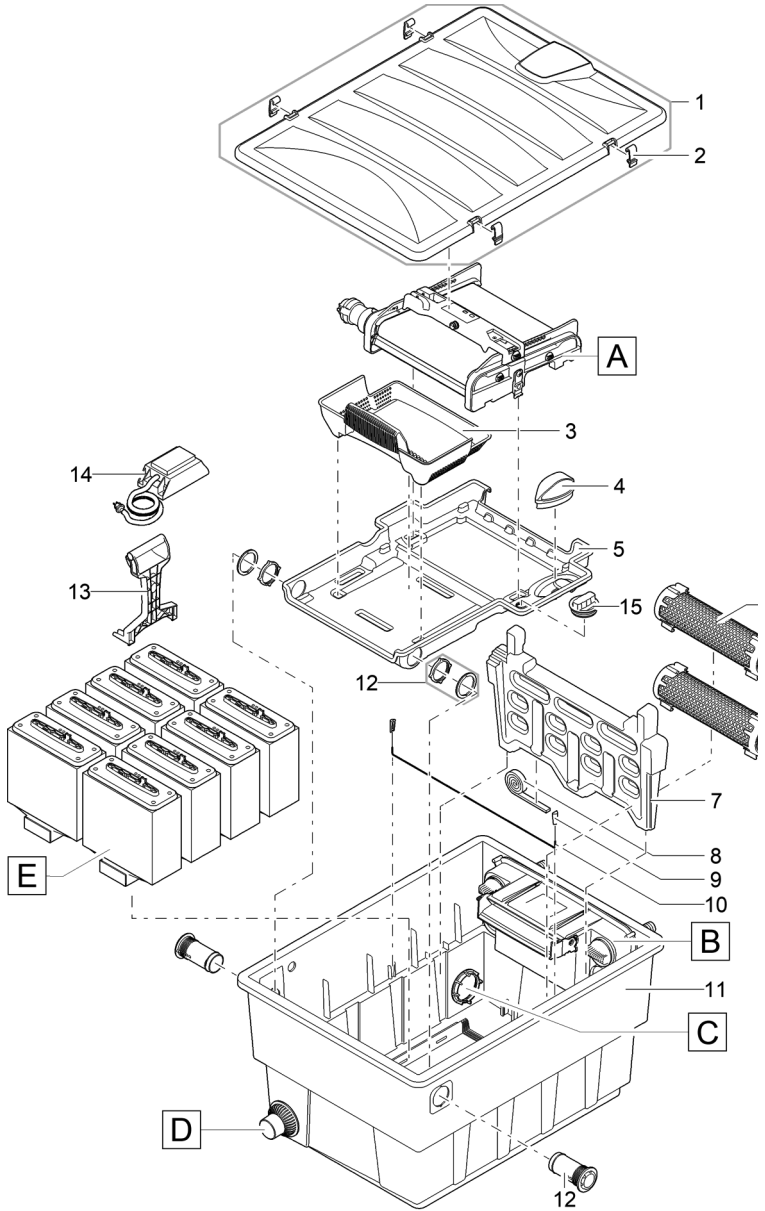
- Inutilice el equipo cortando el cable y entréguelo al sistema de recogida previsto.



## 11 Datos técnicos

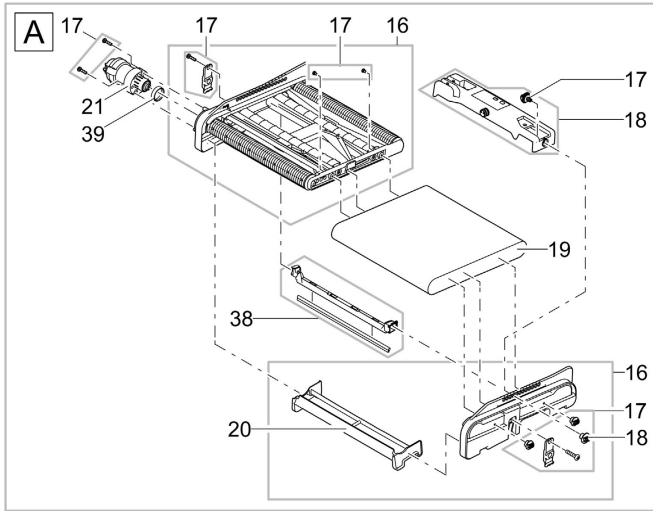
Descripción			BioTec ScreenMatic <sup>2</sup>		
			18000	24000	38000
Bloque de alimentación	Tensión de referencia primaria	V CA	120	120	120
	Frecuencia de red	Hz	60	60	60
	Tensión de referencia secundaria	V CC	12	12	12
	Temperatura permisible del entorno	°F (°C)	14 ... 95 (-10 ... +35)	14 ... 95 (-10 ... +35)	14 ... 95 (-10 ... +35)
Control	Consumo de potencia	W	5	5	5
	Temperatura permisible del entorno	°F (°C)	14 ... 95 (-10 ... +35)	14 ... 95 (-10 ... +35)	14 ... 95 (-10 ... +35)
Longitud del cable	Bloque de alimentación	pie (m)	7 (2.10)	7 (2.10)	7 (2.10)
	Control	pie (m)	16.4 (5.00)	16.4 (5.00)	16.4 (5.00)
Esponja de filtrado	Cantidad azul	pzas.	2	4	4
	Cantidad roja	pzas.	3	6	7
	Cantidad violeta	pzas.	3	6	7
Granulado de filtro especial	lbs (kg)	7.7 (3.50)	11 (5.00)	31.9 (14.50)	
Separación de la suciedad gruesa	µm	300	300	300	
Temperatura permisible del agua	°F (°C)	39 ... 95 (+4 ... +35)	39 ... 95 (+4 ... +35)	39 ... 95 (+4 ... +35)	
Entrada	Cantidad	pzas.	2	2	2
	Conexión boquilla de manguera escalonada	mm	25, 32, 38	25, 32, 38, 50	25, 32, 38, 50
		pulgadas	1, 1¼, 1½	1, 1¼, 1½, 2	1, 1¼, 1½, 2
	Conexión equipo preclarificador UVC		Bitron C 55 W / 110 W Vitronic 18 W / 36 W		
Salida	Cantidad	pzas.	1	1	1
	Conexión		DN 75	DN110	DN 110
Salida de suciedad	Cantidad	pzas.	1	1	1
	Conexión		DN 50	DN50	DN 75
Potencia de circulación	mínima	gal/h (l/h)	1580 (6000)	2100 (8000)	2110 (8000)
	máxima	gal/h (l/h)	2900 (11000)	3300 (12500)	4620 (17500)
Volumen máximo del estanque	Sin peces	gal (m <sup>3</sup> )	18000 (68)	24000 (90)	38000 (144)
	Con peces	gal (m <sup>3</sup> )	9000 (34)	12000 (45)	19000 (72)
	con koi	gal (m <sup>3</sup> )	4500 (17)	6000 (22.5)	9500 (36)
Dimensiones	Longitud	pulgadas (mm)	31.2 (788)	31 (788)	47.2 (1200)
	Anchura	pulgadas (mm)	23.2 (590)	23.2 (590)	31.5 (800)
	Altura	pulgadas (mm)	21.8 (554)	25.75 (654)	30 (760)
Peso	sin agua	lbs (kg)	55 (25)	66.1 (30)	209 (95)

Pos.	BioTec ScreenMatic <sup>2</sup>
1	45320
2	30983
3	42346
4	42449
5	42344
6	25507
7	42341
8	25550
9	34830
10	25624
11	43106
12	44181
13	34734
14	45291
15	44343

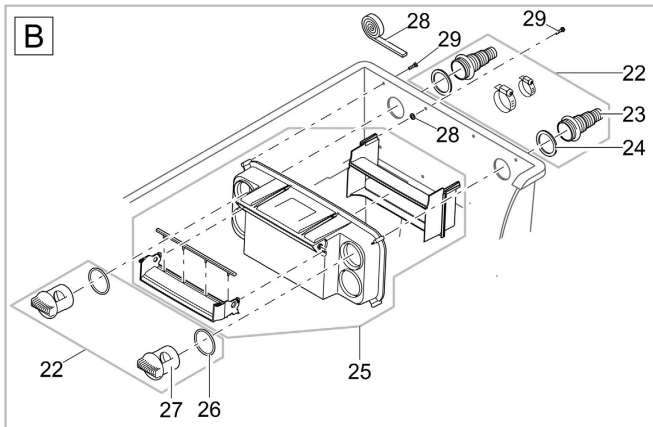


BTC0075

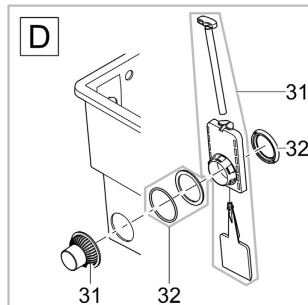
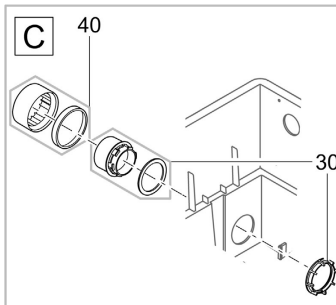
Pos.	BioTec ScreenMatic <sup>2</sup>
16	42383
17	44178
18	44184
19	42325
20	44177
21	44183
22	48674
23	19512
24	19506
25	44180
26	25691
27	42949
28	44179
29	25000
30	45321
31	44182
32	34859
38	44308
39	42450
40	35215



BTC0041

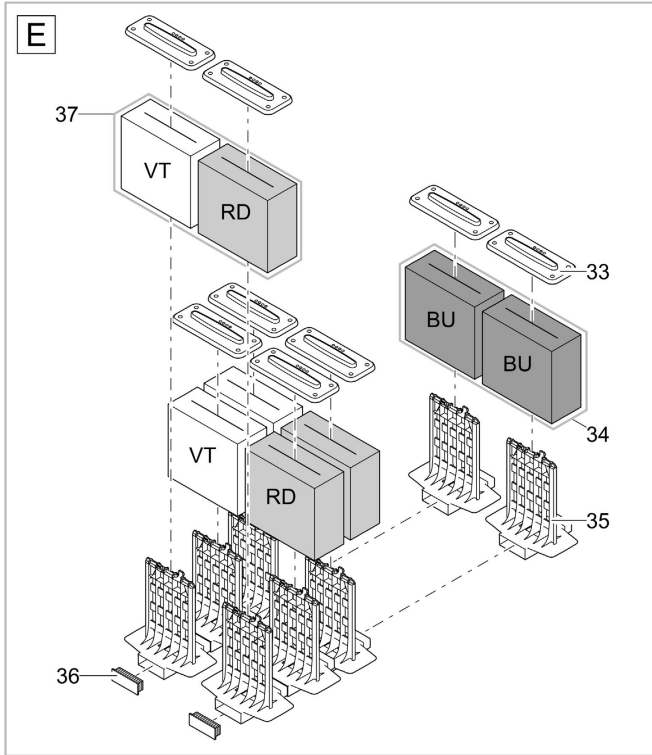


BTC0043



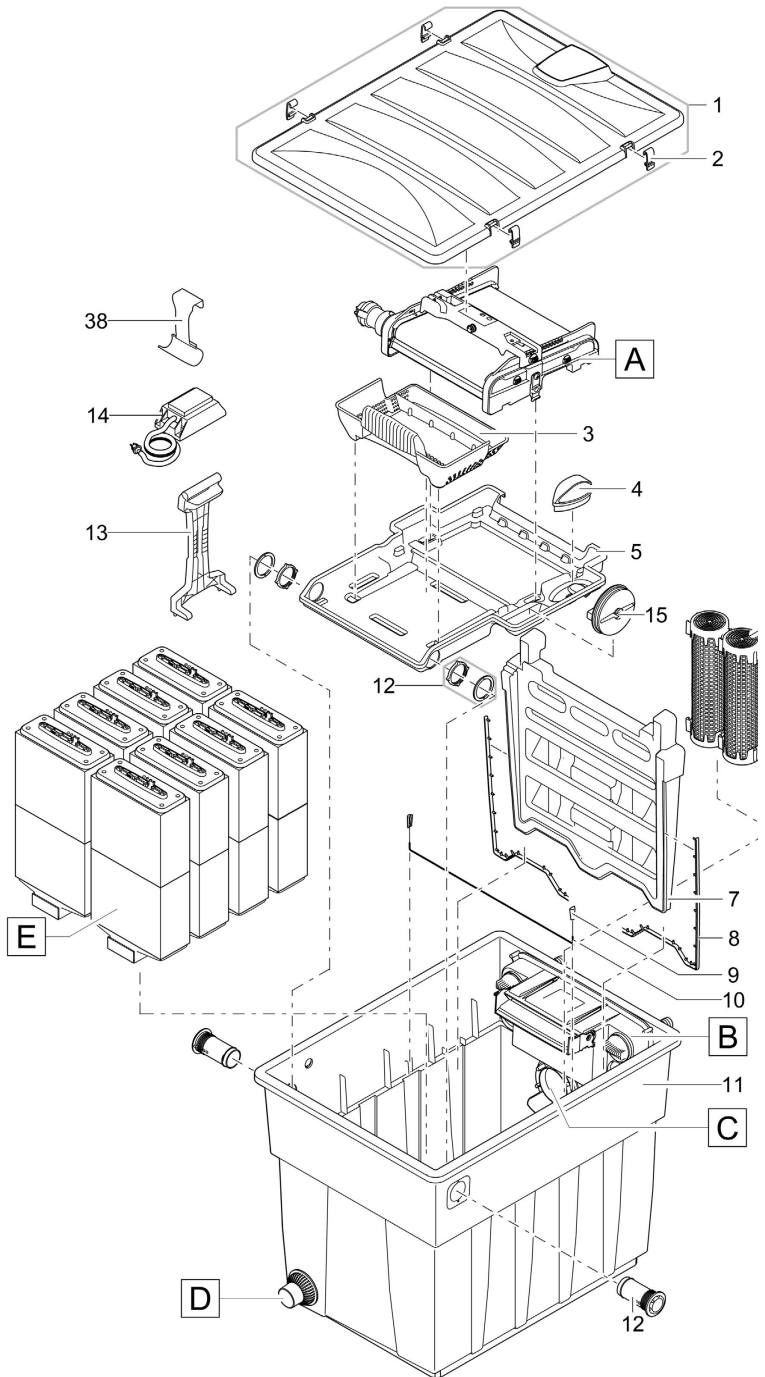
BTC105, BTC0045

BioTec ScreenMatic <sup>2</sup>	
Pos.	18000
33	34670
34	48781
35	34733
36	25524
37	48780



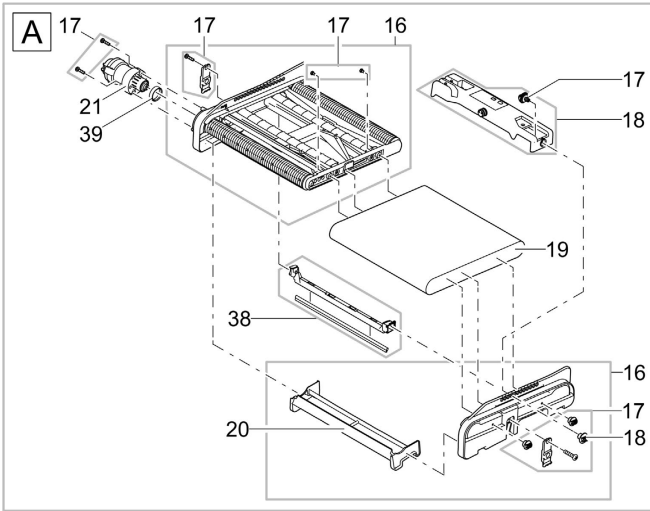
BTC0042

Pos.	BioTec ScreenMatic <sup>2</sup>
1	45320
2	30983
3	42346
4	42449
5	45323
6	25507
7	42342
8	47031
9	34830
10	25624
11	49600
12	44181
13	45252
14	45291
15	44173

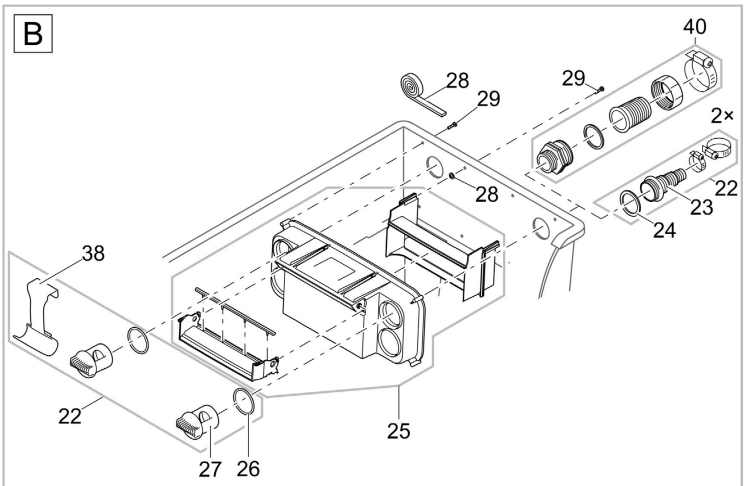


BTC0078

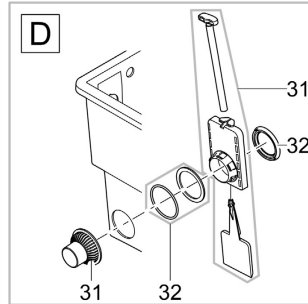
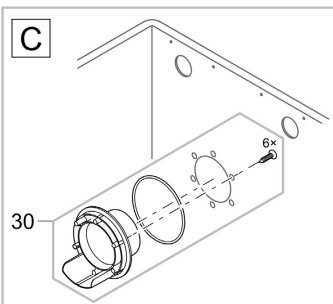
Pos.	BioTec ScreenMatic <sup>2</sup>
16	42383
17	44178
18	44184
19	42325
20	44177
21	44183
22	48674
23	19512
24	19506
25	44180
26	25691
27	42949
28	44179
29	25000
30	45321
31	44182
32	34859
38	44308
39	42450
40	34367



BTC0041

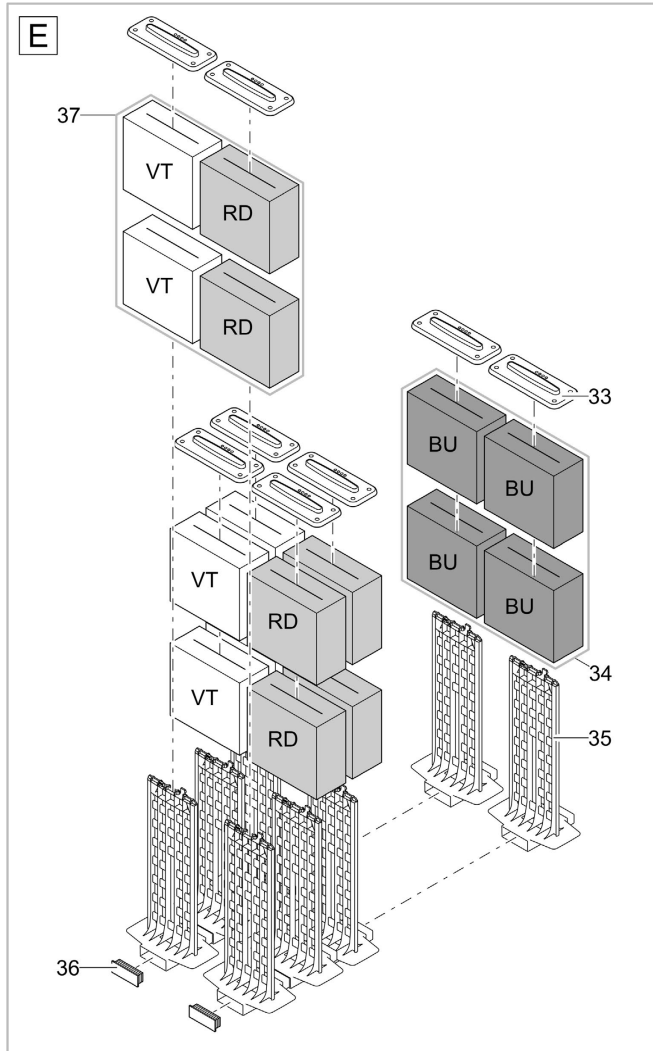


BTC0086



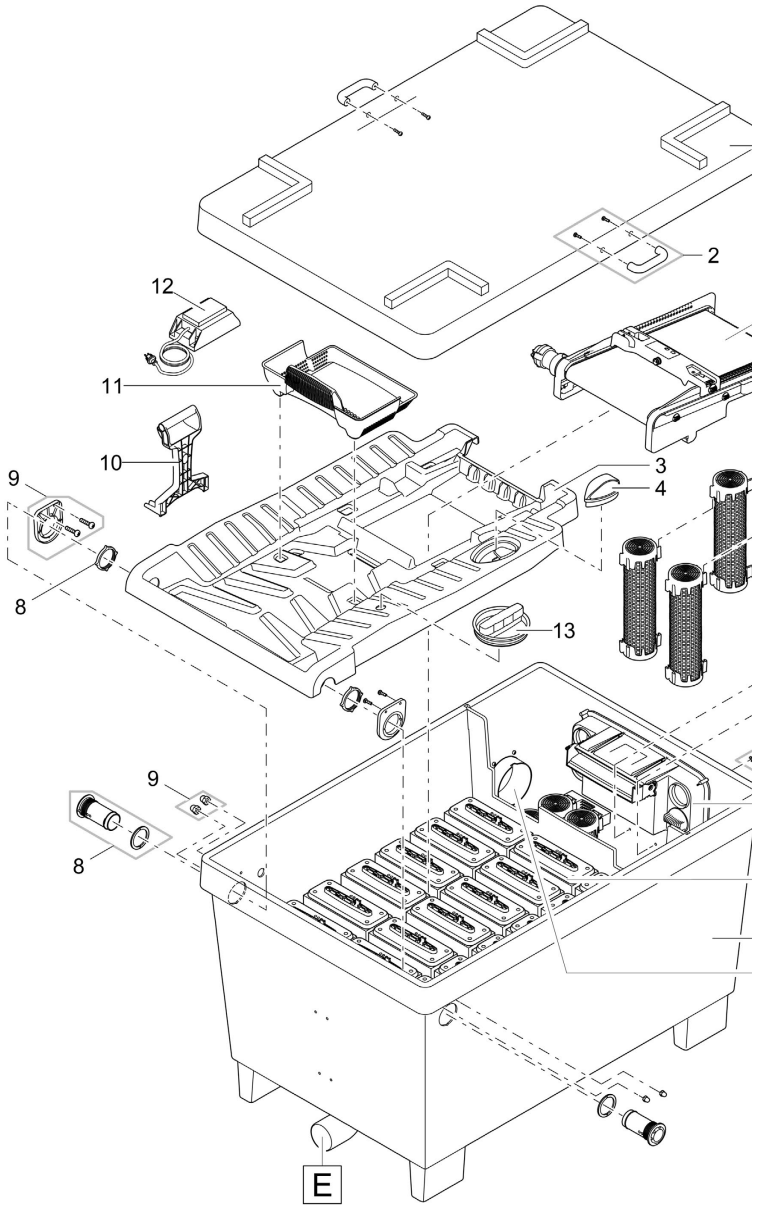
BTC0084, BTC0045

Pos.	BioTec ScreenMatic <sup>2</sup>
33	24000
34	34670
35	48781
36	45254
37	48780



BTC0083

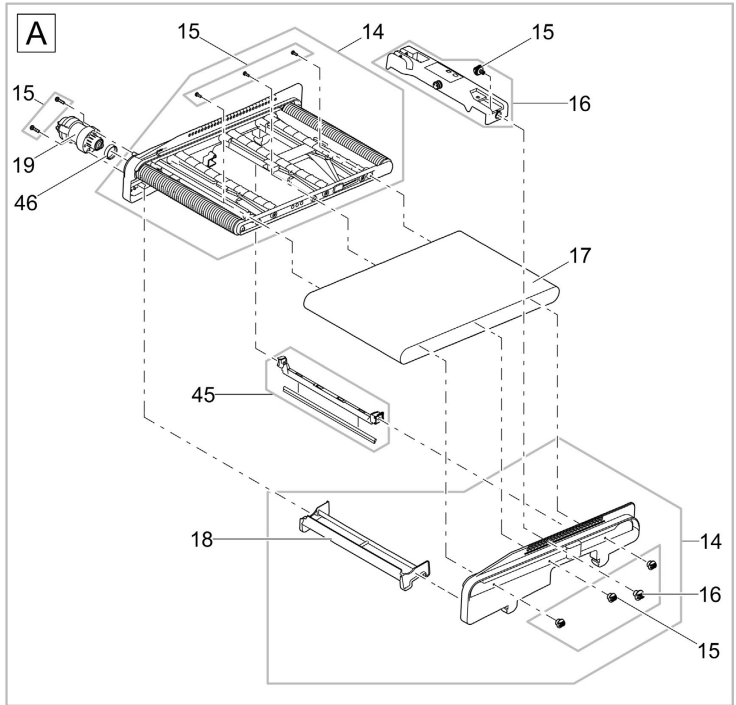
BioTec ScreenMatic <sup>2</sup> 38000	
Pos.	
1	25544
2	34868
3	42345
4	42449
5	34864
6	25507
7	43686
8	44181
9	44336
10	34734
11	42346
12	45291
13	44173



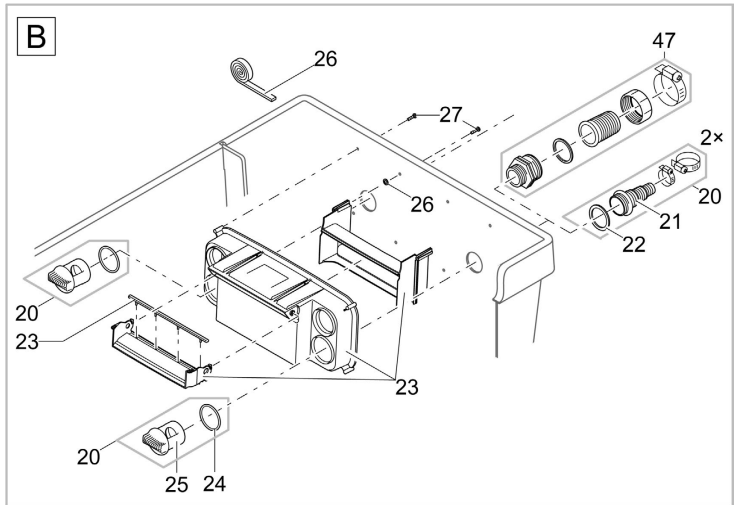
BTC0076



BioTec ScreenMatic <sup>2</sup>	
Pos.	38000
14	42384
15	44178
16	44186
17	42326
18	44177
19	44183
20	48674
21	19512
22	19506
23	44185
24	25691
25	42949
26	44179
27	25000
45	44308
46	42450
47	34367

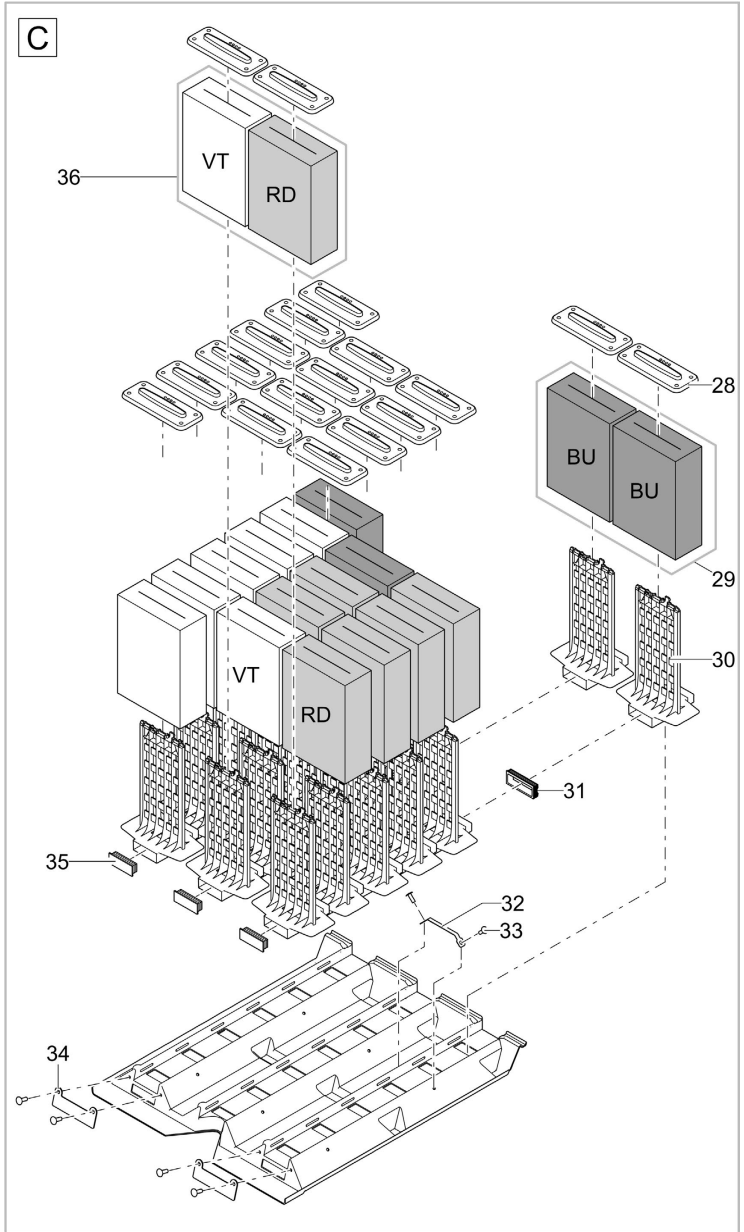


BTC0035



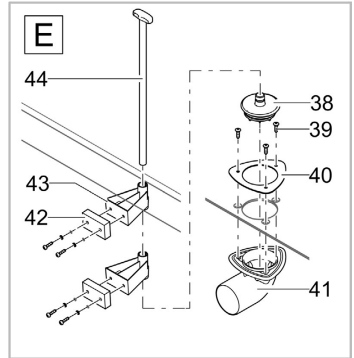
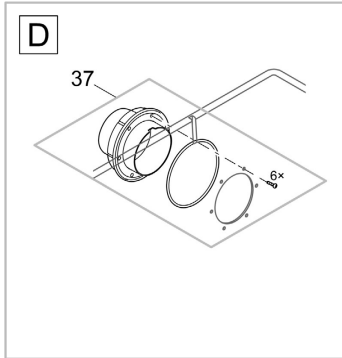
BTC0036

BioTec ScreenMatic <sup>2</sup>	
Pos.	38000
28	34670
29	48781
30	34733
31	25542
32	25922
33	25546
34	25547
35	45325
36	48780



BTC0039

Pos.	BioTec ScreenMatic <sup>2</sup> 38000
37	19005
38	35255
39	24229
40	24230
41	34253
42	25996
43	34835
44	44188



BTC0037, BTC0038

