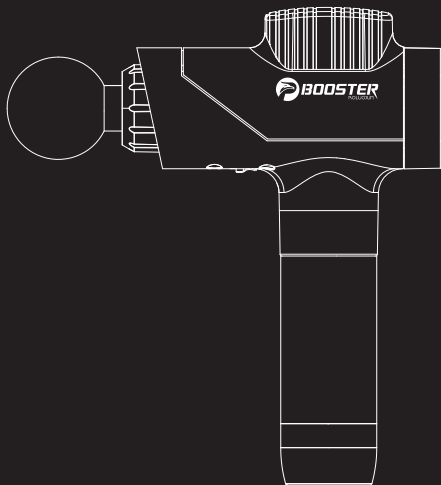




AI INSIDE
Smart-Hit Technology

 **BOOSTER** M2

QUICK START GUIDE



SUZHOU PI FITNESS TECHNOLOGY CO., LTD.

www.boluojun.net

Type-C
12V

TRAIN HARD,
RECOVER HARDER!



FOLLOW US

Thank you for choosing our booster massage gun. Before using it, please read this manual carefully to ensure proper operation and keep this manual for future reference.

Main functions:

Relieving muscle soreness, stimulating the circulation of blood, relieving stiffness of cervical vertebra, and improving muscle recovery.

CONTENTS

Main information	-----	/ 01 - 02
Product introduction	-----	/ 03
Instruction for use	-----	/ 04
Product specification	-----	/ 05
Common problems	-----	/ 05
Maintenance	-----	/ 06
Environment protection	-----	/ 06 - 07
Warranty	-----	/ 07

PRECAUTIONS

To avoid harm, fault, electric shock, fire, death and other equipment damage, please read the instructions and warnings carefully.

PROHIBITION

1. Minors are forbidden to use this product. It is not a toy.
2. Forbid to put this product into water. If it falls into water accidentally, please send it for inspection in time.
3. Forbid to put this product near or into the fire.
4. Forbid to use it on head, neck, heart or genital.
5. Forbid to use it on bones. Use it on soft tissues only when not feeling pain or discomfort.
6. Forbid to use non-original charger to charge the product, otherwise it may cause a fire.
7. Forbid to drop the product intentionally.
8. Forbid to remove the screws or try to disassemble the product.
9. The product is not an alternative or complement of medical treatment. If you are feeling pain, undergoing medical treatment or using any other medical devices, please consult your doctor before using this product.
10. Forbid to put fingers, hair or other body parts near to the back of the massage heads in case of the squashing.



Do not touch this part when the machine is running without the massage heads being installed.



Do not touch this part when the machine is running with the massage heads installed.

DISCLAIMER

If you have any of the following situations, or any health-related problems, please consult your doctor before using this product.

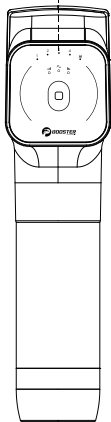
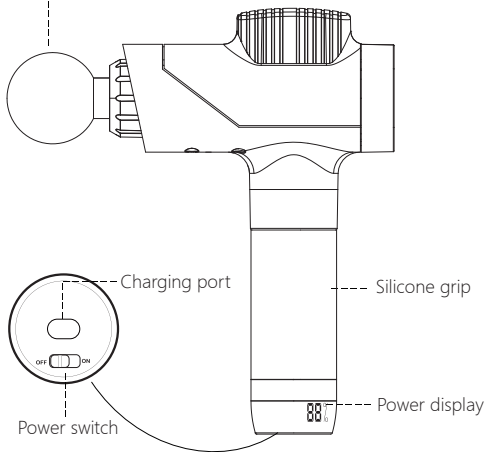
1. Pregnancy, diabetes, mental disorder, retinal damage and other complications.
2. Pacemaker usage, recent surgery, epilepsy, migraine, lumbar disc protrusion, and spondylolisthesis.
3. Recent joint replacement surgery, Intrauterine contraceptive device placing surgery, metal parts implantation, or other concerns about your own body.

Ongoing research on the effect of vibration training toward specific medical diseases may reduce the number of contraindications. Practical experience shows that, in many cases, vibration-training-combined treatment is also an effective medical guidance. However, it must be done with doctor advice.

1. PRODUCT INTRODUCTION

Quick release massage head

Control panel



MASSAGE HEADS



Round head

For large muscle group massage and relaxation.



Round head

For whole body muscle massage and relaxation.



Spinal head

For spine massage.
Strong intensity



Air cushion head

For soft tissue and whole body relaxation.



Flat head

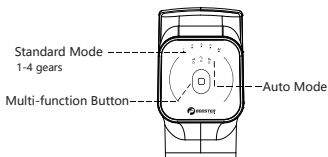
For large muscle group massage and relaxation.



Bullet head

For pain point relaxation.
Strong intensity.

2. INSTRUCTION FOR USE



AI AI vibration

The intensity is adjusted automatically according to the force applied by the user.

⏸ Fade-out vibration

Decreasing vibration intensity, suitable for muscle relaxation after exercise.

⏏ Crescendo vibration

Increasing vibration intensity, suitable for muscle activation before exercise.

🌊 Wave vibration

Vibration fluctuations, suitable for various scenes to relax.

MULTI-FUNCTION BUTTON USE

- Switch the power on key to ON, and the device is on.
- Long press of multifunction button for 2 seconds to switch mode (standard mode / automatic mode):
 - Under the standard mode: short press the adjustment gear briefly, and each time you press it, add a gear. The last one is AI intelligent vibration mode.
 - Under the auto mode: short press to adjust the vibration mode, and switch one mode every time you press. Four modes adjustable (fade-out vibration, crescendo vibration, wave vibration).

CHARGING

The charging port is on the bottom of the massage gun handle.

- Please fully charge the battery for the first use.
- Turn it off when charging.
- Connect the power supply. Charging indicators will flash in turn and it shows that the machine is charging.
- When the power display turns to 100%, it means that the battery is full.
- Do not move the machine when it is charging.

3. SPECIFICATIONS

Product name: Muscle massage gun	Rated speed: 900-3200rpm
Type: M2-C	Stroke: 10mm
Charging interface: Type-c, 5V \leftrightarrow 2A	Maximum power: 120W
Rated voltage: 12V	Net weight: 1.0kg
Battery capacity: 2000mAh/2500mAh	Size: 285×217×64mm

4. FAQ

UNABLE TO POWER ON

a. Low temperature:

Keeping the massage gun below 0°C for a long time will reduce the activity of battery and prevent normal functioning. The product cannot work normally while being power on.

Solutions: Lay the product for two hours at temperature above 0°C, or raise the machine temperature fast with a hair-drier.

b. Low battery:

When the battery is low, or user does not charge it for a long time, the battery will enter the low battery protection mode. The product will not work normally at this time when you start it again.

Solutions: Turn it off with charger connected. Make sure it is fully charged, and it can run normally.

TROUBLESHOOTING	
Slight abnormal noise during use	Slight noise is a normal phenomenon in the period of new machine. If the noise gets louder after a period of use, please send it for inspection.
Battery does not charge	Replace the battery please, for the aging or poor contact of battery.

5. MAINTENANCE

- When you do not use the product for a long time, turn it off and hold electricity while safe-keeping it. Store it in a safe, cool and dry place.
- Charge the product every half a year if you do not use it for a long time. Holding electricity prevents battery damage due to stains.
- Please choose neutral detergent and soft cloth for daily maintenance. Do not use engine oil, organic solvents or other chemicals for cleaning.
- Please turn off the power after using the product, or before cleaning the product.
- The product should be well fixed during transportation. Avoid violent vibration, collision, rolling and falling.

6. ENVIRONMENTAL PROTECTION

Do not discard this product with general household waste at the end of its service life. Put this product in the recycle bin designated by the government or send this product back to the manufacturer's after-sales service center. The service center staff will recycle it in an environmental-friendly manner.

a. Name and content of harmful substances in the product

Part name	Poisonous and harmful substances and elements					
	Pb	Hg	Cd	Cr(VI)	PBB	PBDE
Shell	○	○	○	○	○	○
Circuit board	×	○	○	○	○	○
Metal parts	×	○	○	○	○	○
Rubber parts	○	○	○	○	○	○
Adapter	×	○	○	○	○	○
Connecters	○	○	○	○	○	○
Handle cover	○	○	○	○	○	○

This form is based on the rules of SJ/T 11364.

O: The content of harmful substances in all parts meet the limited requirements of GB/T 26572.

X: The content of harmful substances in at least one part exceeds the limitation of GB/T 26572.

b. Environmental protection use period

The time limit of environmental pollution, serious damage to people and property, or the leakage of toxic and harmful substances, is 10 years in normal use as described in this manual.



This sign indicates that the environmental protection period of this product is 10 years in normal use. Some components may also have environmental protection period signs. The specific period of environmental protection for each component shall be subject to its own sign.

7. WARRANTY

The warranty period of this product is 18 months, and the authority is not transferable. From the date of purchase, you enjoy free warranty within the warranty period with valid documents. (Outward appearance is not covered.)

Disclaimer:

1. Accidental damage, improper use or transportation;
2. Improper maintenance;
3. Operation without following the manual instructions;
4. Unable to provide formal purchase certificate;