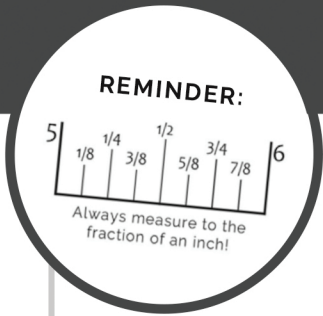
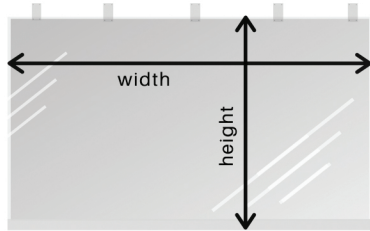


How to Measure Your Mirror



STEP 1

Measure the width and height of your mirror.



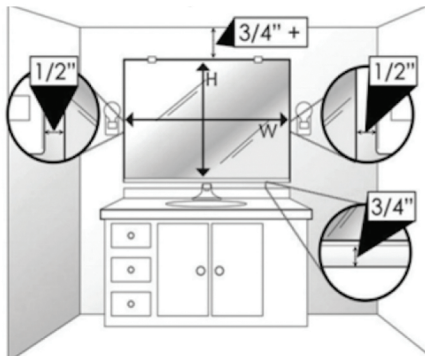
WIDTH:
HEIGHT:

#1

#2
(optional)

STEP 2

When possible, we like to add a 3/8" overhang to fully conceal edges. To do this, we'll need to know the distance from each edge of the mirror to the nearest obstruction (i.e. wall, outlet).



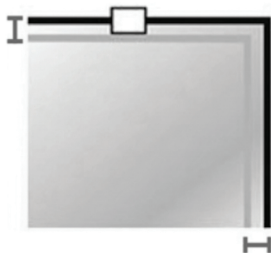
TOP:
LEFT:
RIGHT:
BOTTOM:

#1

#2
(optional)

STEP 3

Answer a few quick questions about your mirror below.



How many clips are on your mirror?

Do they look like this?

Is your mirror beveled?

If so, how wide is the bevel?

#1

#2
(optional)
