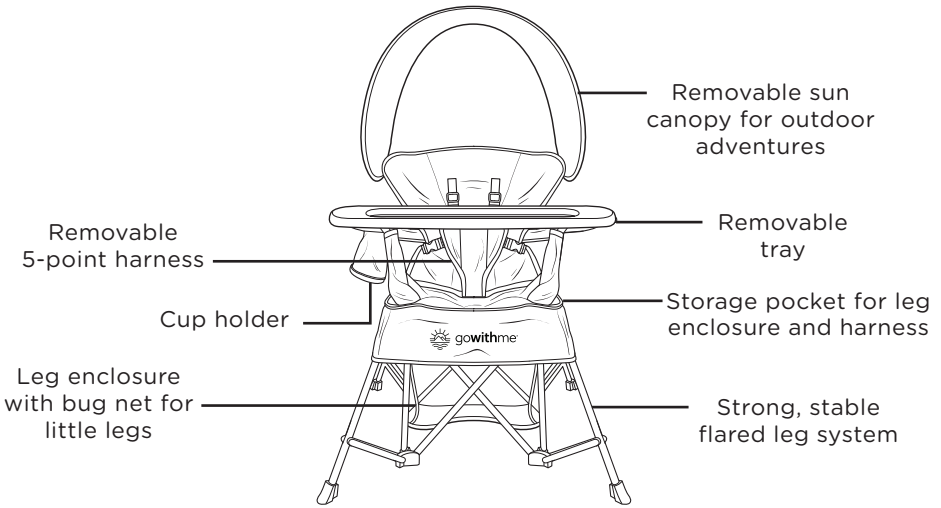


**Read all instructions BEFORE assembly and USE of product.  
KEEP INSTRUCTIONS FOR FUTURE USE.**



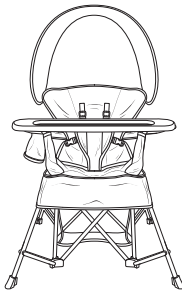
**gowithme**<sup>®</sup>  
by BABY DELIGHT<sup>®</sup>

## **VENTURE** deluxe portable chair



### **Care & Instructions**

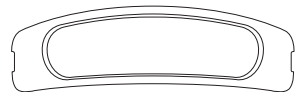
### **Contents**



Chair



Travel Bag



Tray

© 2016 Baby Delight, Inc. | 1-401-333-6800 | [www.babydelight.com](http://www.babydelight.com)

BD05030, BD05040, BD05050, BD05420, BD05430, BD05440, BD05450,  
BD06100, BD06200, BD06360, BD06370, BD06380 | MADE IN CHINA

# **⚠ WARNING: IMPORTANT! KEEP FOR FUTURE REFERENCE!**

## **AMPUTATION HAZARD**

- Chair can fold or collapse if lock not fully engaged. Moving parts can amputate child's fingers.
- Keep fingers away from moving parts.
- Completely unfold chair and fully engage lock before allowing child to sit in a chair.
- **NEVER** allow child to fold or unfold chair.
- Use **ONLY** under adult supervision.
- **NEVER** leave child unattended.
- **NEVER** use on elevated surfaces: such as tabletops, countertops and/or near stairs.
- **NEVER** place near space heaters, camp fires or other heat sources.
- **NEVER** use as a carrier, car seat or lift/carry while child is seated.
- **NEVER** lift or move the product by the tray or canopy.
- **NEVER** place hot liquids in the cup holder.
- The maximum weight this product is intended to hold is 75-lbs.
- **ALWAYS** use 5-point harness when child's feet are unable to reach the floor when seated.
- To avoid tipping, always use on a flat level surface.
- **ALWAYS** use restraint system to prevent falling or sliding out.

## **Leg Openings:**

- Leg holes are to be used **ONLY** when baby can sit up upright unassisted.
- **NEVER** allow child to stand flat footed when using leg enclosure.
- **NEVER** use leg enclosure with children who can walk.

## **3-months through big kid**

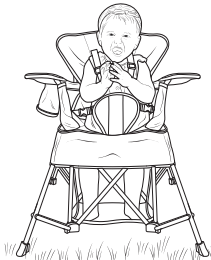
The GoWithMe® Chair will provide years of enjoyment for many stages of growth for your infant through school-aged child (75 lb maximum).

### **Sit & Relax 3-6 Months**



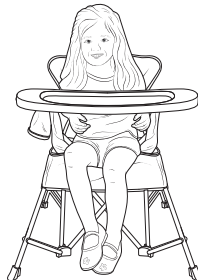
- When baby can hold head up
- 5-point harness keeps baby safe & comfortable
- Slight back recline for relaxing
- Side cushions to stabilize head and body

### **Stand & Play 6-12 Months**



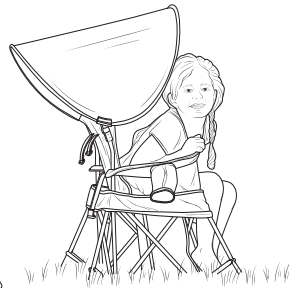
- When baby is a pre-walker
- Baby stands & stretches legs
- Leg enclosure keeps little feet clean & bug free when outdoors
- Tray is attached for snacks or toys

### **Sit & Play Toddler up to 75 lbs**



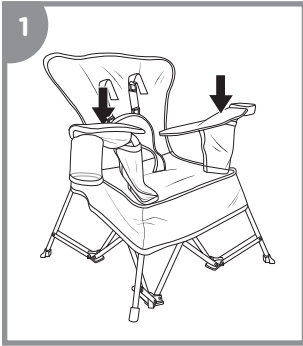
- When child can safely sit alone
- 24 months + up
- Seat cover is re-attached and should be closed
- Leg enclosure & 5-point harness store neatly underneath bottom of seat

### **Canopy**

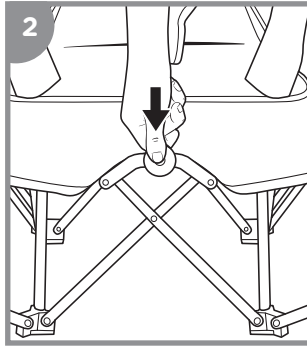


- Canopy can be used at any stage

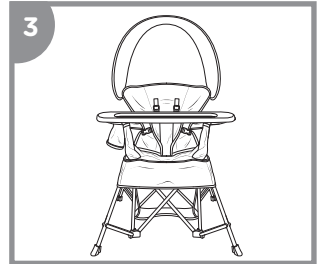
## Assembly



Push down on Arms to open.

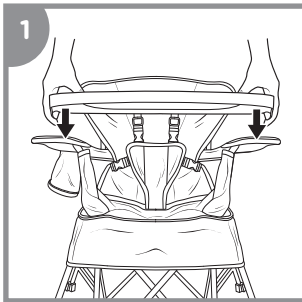


Push Safety Lock on front of Chair down into place.

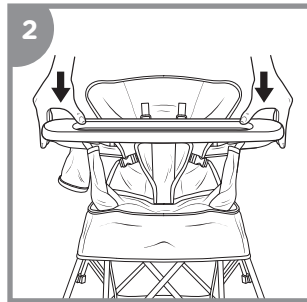


Push Safety Lock on front of Chair, unlatch Buckles of the 5-piece Harness, lay Harness on the Seat, place baby's legs into Leg Holes and buckle the Harness up in front.

## Attaching the Tray

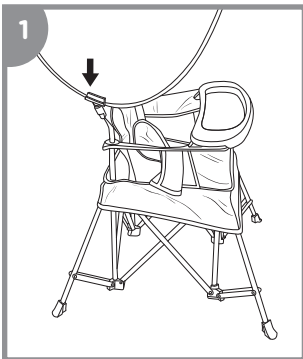


Press the Tray down until the Tabs lock in place.

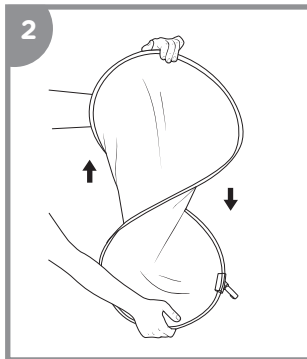


You should hear an audible "click".

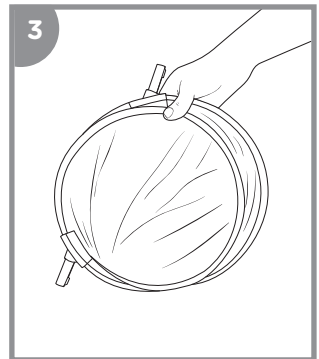
## Attaching & Folding the Canopy



Position largest section of the Canopy over the Seat. Plug Canopy arms in on both sides of the Seatback.

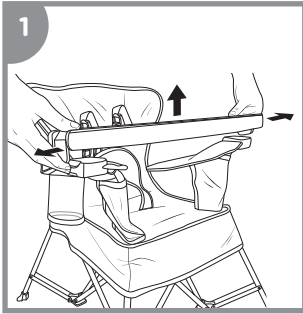


To remove, unplug Canopy arms. Take hold of each end, twist Canopy in half, and bring ends together to form a circle to store.

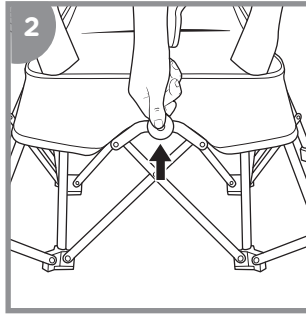


## Assembly - Continued

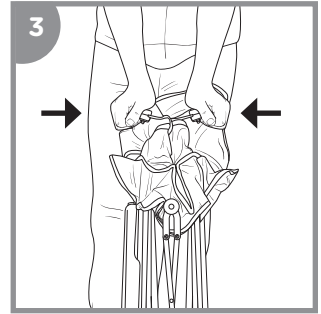
### Closing the Chair



1 To remove Tray, pull side Tabs and lift straight up.

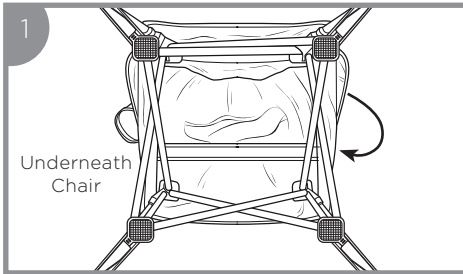


2 Pull up on Safety Lock on front of Chair.

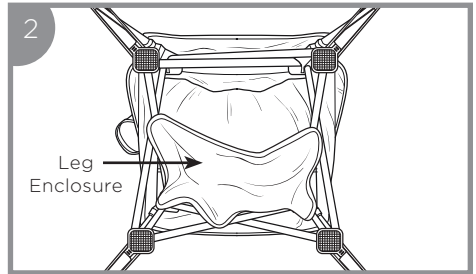


3 Push the Frame of the Chair inward.

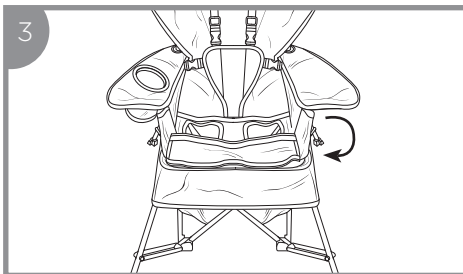
### Using the Leg Enclosure (6-12 Months)



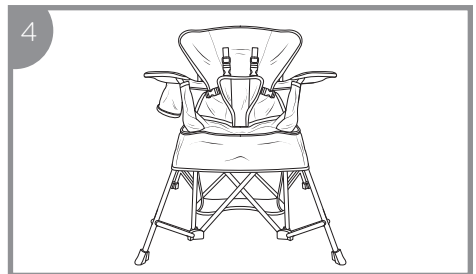
1 Leg enclosure stores neatly under the seat when not in use.



2 Pull leg enclosure netting out from storage pocket and allow leg enclosure to hang down.



3 Open hook and loop fastener from the back of the seat towards the front and re-fasten the front hook and loop fastener strip to the middle strip.



4 Unlatch buckles of the 5-piece harness, lay harness on the seat, place baby's legs into leg holes and buckle the harness up in front of them.

## Care & Cleaning

Caring for your new GoWithMe® Venture chair is very easy.

- Simply use a mild soap and damp cloth to wipe down the chair. You may also rinse off the chair outside with a garden hose and allow to air dry.
- The tray may be rinsed off in the sink and dried prior to use.
- Do not allow the chair to remain outside and exposed to the elements of the sun, wind, and rain for long periods of time.
- Do not fold up a damp chair or put the chair back into the bag until it is completely dry.





# Limited Warranty

At Baby Delight, Inc. we make innovative and high quality products for babies, children and their parents. We warrant this product to be free from defects in material and workmanship existing at the time of manufacture for a period of 90-days from the date of initial purchase (sales receipt is required for proof of purchase). If such a defect is discovered during the limited warranty period, we will, at our sole option, repair or replace your product at no cost to you.

This limited warranty does not cover claims resulting from misuse, failure to follow the instructions on installation, maintenance and use, abuse, alteration, involvement in an accident, and normal wear and tear.

For warranty service or replacement part information:

USA: Please call 1-401-333-6800, email [consumercare@babydelight.com](mailto:consumercare@babydelight.com), or write to Consumer Services: 30 Martin Street, Suite 3C, Cumberland, RI 02864

Some replacement parts may be available for purchase after this limited warranty expires. Please visit us at [www.babydelight.com](http://www.babydelight.com) or call us at 1-401-333-6800 or details.



[www.babydelight.com](http://www.babydelight.com)

© 2016 Baby Delight, Inc. | 30 Martin Street, Suite 3C, Cumberland, RI, 02864, USA

1-401-333-6800 | [consumercare@babydelight.com](mailto:consumercare@babydelight.com)

BD05030, BD05040, BD05050, BD05420, BD05430, BD05440, BD05450,

BD06100, BD06200, BD06360, BD06370, BD06380