

Read all instructions BEFORE assembly and USE of product.
KEEP INSTRUCTIONS FOR FUTURE USE.

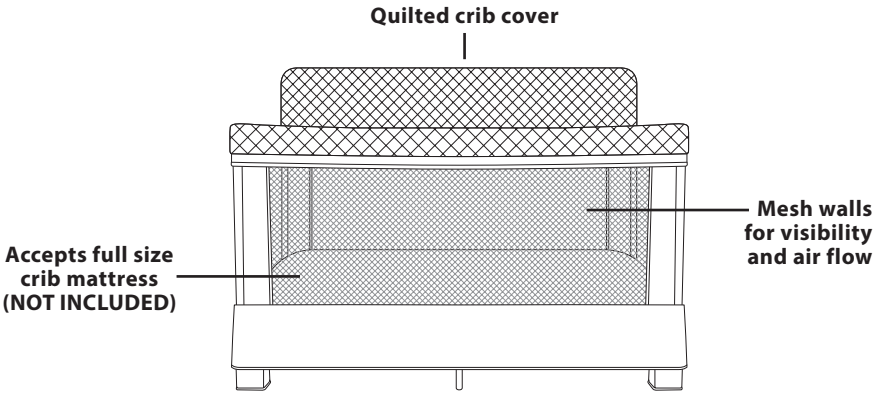
BABY  DELIGHT®

Horizon

Full Size Mesh Crib



Scan Code for more product information



Care & Instructions

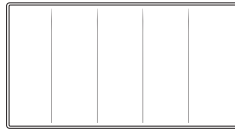
Contents



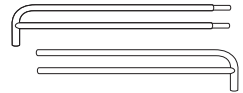
Crib Frame with Cover



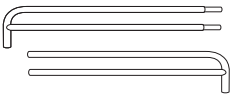
Storage Bag



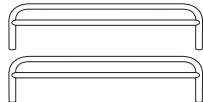
Mattress Support



A Rails (left and right)



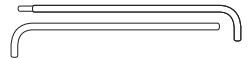
B Rails (left and right)



C Rails (left and right)



D Rails (left and right)



E Rails (left and right)

WARNING:

- Read all instructions before assembling crib.
- Keep instructions for future use.
- Never use plastic shipping bags or other plastic film as mattress covers because they can cause suffocation.
- Infants can suffocate in gaps between crib sides and a mattress that is too small.
- **CAUTION:** Any mattress used in this crib shall be at least 27 1/4 in. (69 cm) by 51 5/8 in. (131 cm) with a thickness not exceeding 6 in. (15 cm).
- The safest place for your baby to sleep is in a JPMA Certified crib.
- Pillows and Blankets have caused infants to suffocate, **NEVER** use in a crib.
- Read all warnings and follow all instructions.
- Missing or broken parts, any questions? CALL Baby Delight, Inc.
- **NEVER** place the crib near a window or any wall hangings.
- Your baby should sleep on a firm mattress.
- **DO NOT** place any items in the crib.
- Infants can suffocate on soft bedding. Never add a pillow or comforter. Never place additional padding under an infant.
- Failure to follow these warnings and the assembly instructions could result in serious injury or death. **DO NOT** use this crib if you cannot exactly follow the accompanying instructions.
- To reduce the risk of SIDS, pediatricians recommend healthy infants be placed on their backs to sleep, unless otherwise advised by your physician.
- The crib, including side rails, must be fully erected and locked prior to use. : Make sure latches are secure/locked in place.
- Check this product for damaged hardware, loose joints, loose bolts or other fasteners, missing parts, or sharp edges before and after assembly and frequently during use. Do not use crib if any parts are missing, damaged or broke. Contact Baby Delight, Inc. for replacement parts and instructional literature if needed. Do not substitute parts.
- Never add an accessory such as a bassinet or changing table that extends over the sleeping area.

FALL HAZARD

- When child is able to pull to a standing position, remove bumper pads, large toys and other objects that could serve as steps for climbing out.
- Stop using crib when child begins to climb out or reaches a height of 35in. (89cm), whichever occurs first. The child should be placed in a youth or regular bed.

Safe Sleep Guidelines from the US Consumer Product Safety Commission:

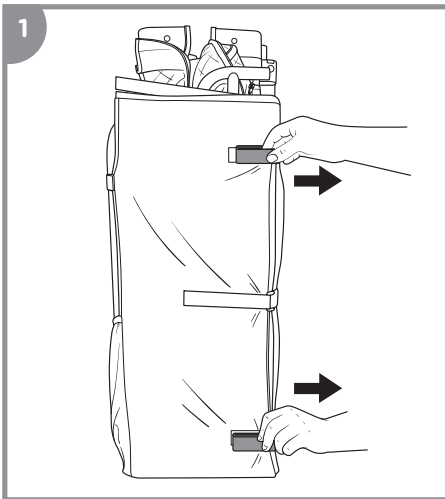
Safe Sleep Guidelines from the US Consumer Product Safety Commission:

- **Back to Sleep:** Always place the baby to sleep on the baby's back to reduce the risk of sudden unexpected infant death syndrome (SUID/ SIDS) and suffocation;
- **Bare is Best:** Always keep the baby's sleep space bare (fitted sheet only) to prevent suffocation. Do not use pillows, padded crib bumpers, quilts or comforters; and
- Only place the baby to sleep in a product that is intended for sleep. Transfer the baby to a crib, bassinet, play yard or bedside sleeper if the baby falls asleep in a swing, bouncer, lounger or similar product.

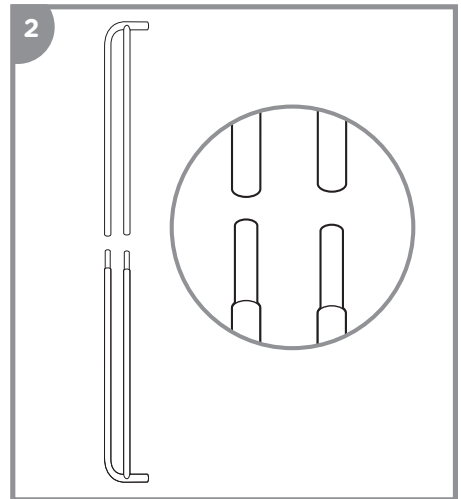
⚠ STRANGULATION HAZARD:

- **STRINGS CAN CAUSE STRANGULATION! DO NOT** place items with a string around a child's neck, such as hood strings or pacifier cords. **DO NOT** suspend strings over a crib or attach strings to toys.
- **DO NOT** place crib near window or patio door where cords from blinds or drapes may strangle a child.

Assembly/Operating Instructions

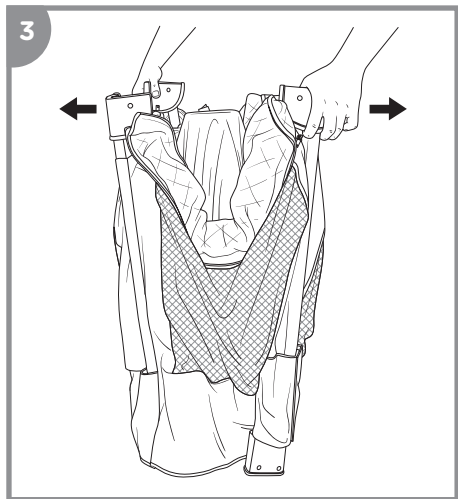


Remove Rails from the MATTRESS SUPPORT STORAGE POCKETS and unfasten MATTRESS SUPPORT around CRIB FRAME and COVER.

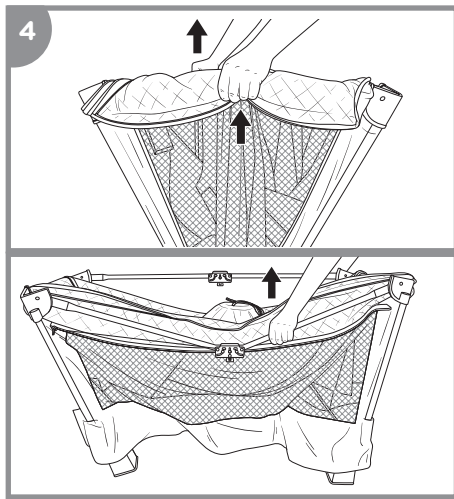


Connect the left and right A RAILS until you hear a "click". Repeat for C, D and E rails.

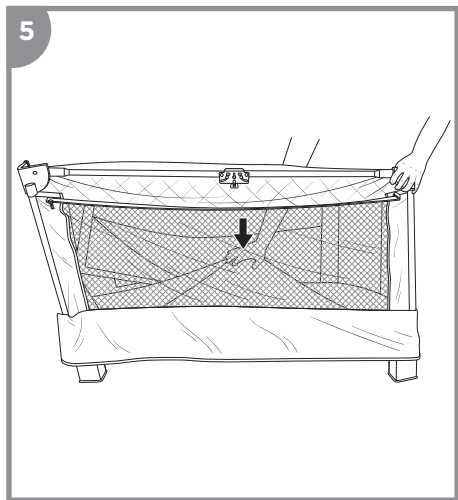
Assembly/Operating Continued:



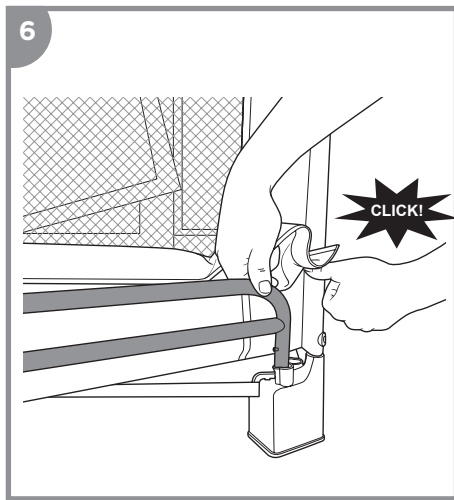
Unfold the CRIB FRAME, but DO NOT PRESS DOWN ON THE CRIB FLOOR CENTER. CRIB FLOOR CENTER should be at least as half as high as the FRAME RAILS.



Pull up on each of the TOP FRAME RAILS until they are securely locked in place.

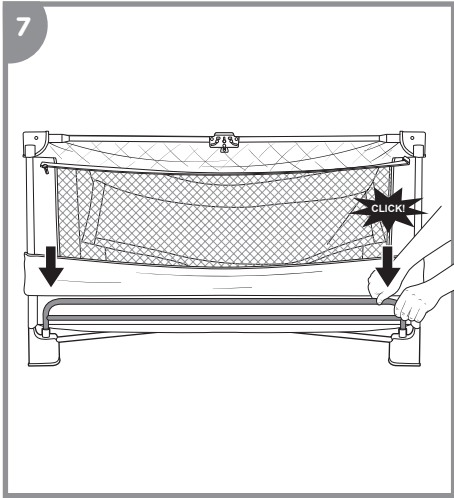


Press down on the center of CRIB FLOOR until it is level.

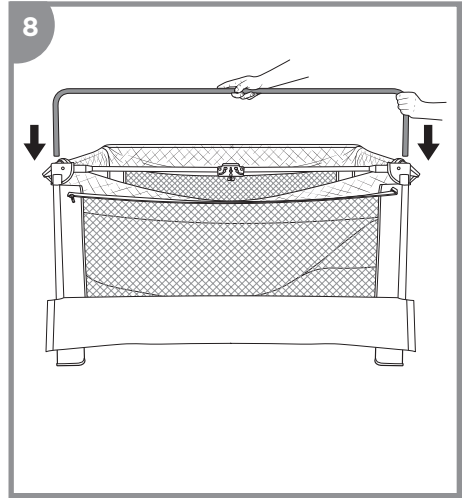


Unfasten the front bottom corners of the CRIB COVER, lift COVER up and insert the RAIL A assembly into the left and right SLOTS until you hear a "click" sound.

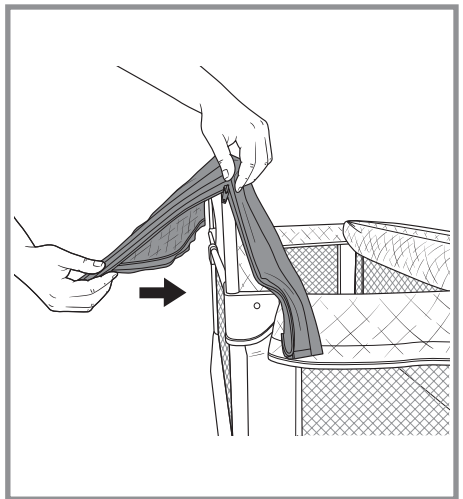
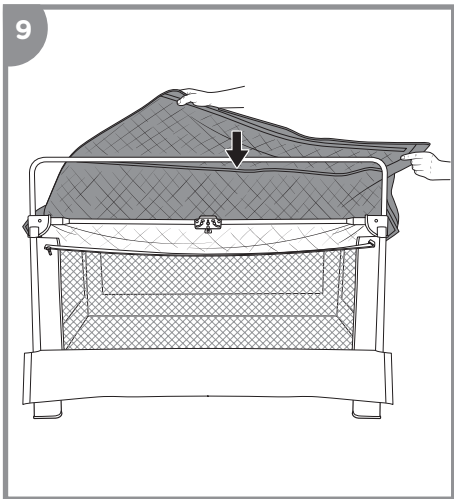
Assembly/Operating Continued:



REPEAT on both sides with RAIL C (left and right) and on rear bottom with RAIL B ASSEMBLY.



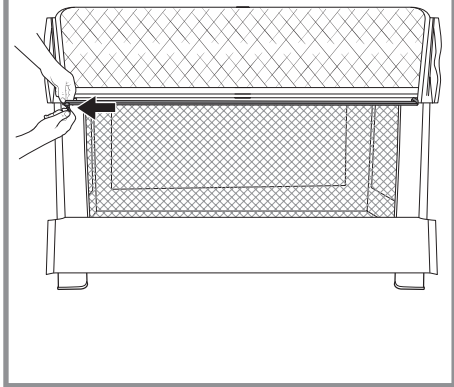
Insert the RAIL D ASSEMBLY into the left and right SLOTS on the top rear corners of the CRIB.



Pull CRIB HEADBOARD COVER over RAIL D assembly and zipper left and right sides of the HEADBOARD.

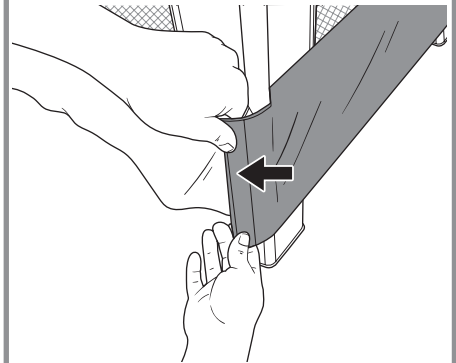
Assembly/Operating Continued:

10



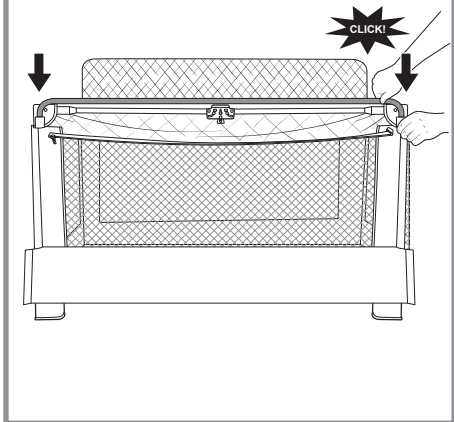
Zipper bottom of
CRIB HEADBOARD COVER.

11



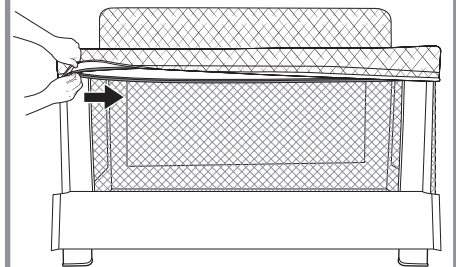
Fasten CRIB COVER HEADBOARD
COVER with hook and loops on the
left and right side.

12



Insert the RAIL E ASSEMBLY into the
left and right SLOTS on the top front
corners of the CRIB until you hear
a "click".

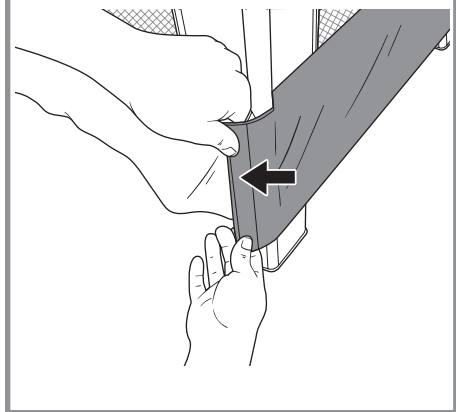
13



Pull CRIB COVER over RAIL E
assembly and zipper under RAIL E
ASSEMBLY.

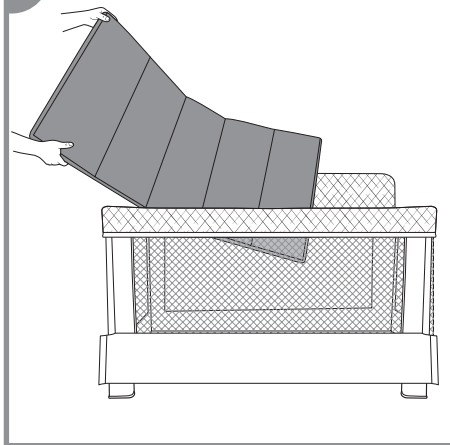
Assembly/Operating Continued:

14



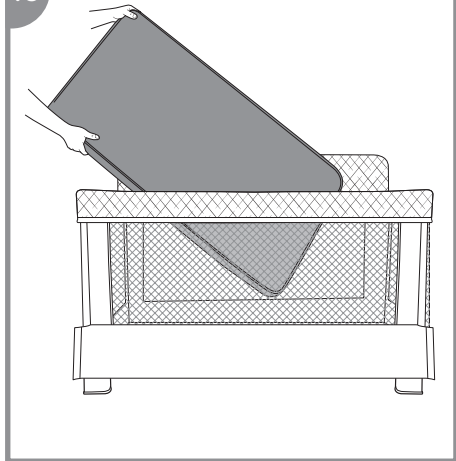
Fasten all four bottom corners of CRIB COVER with hook and loops until tight.

15



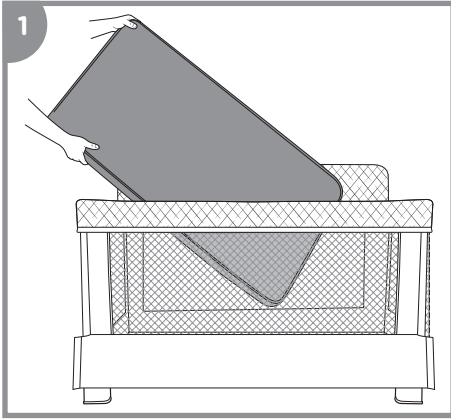
Place MATTRESS SUPPORT inside the crib with INSTRUCTION POCKET facing up.

16

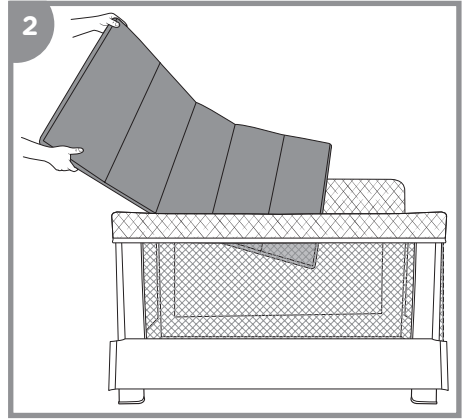


Store this INTRUCTION BOOKLET in this pocket for future reference and place MATTRESS (not included, see the following warning) over MATTRESS SUPPORT.

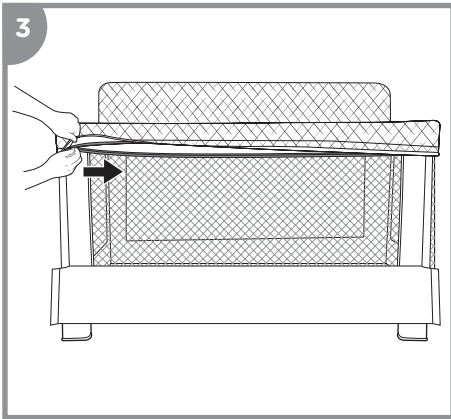
Folding the Crib for Storage:



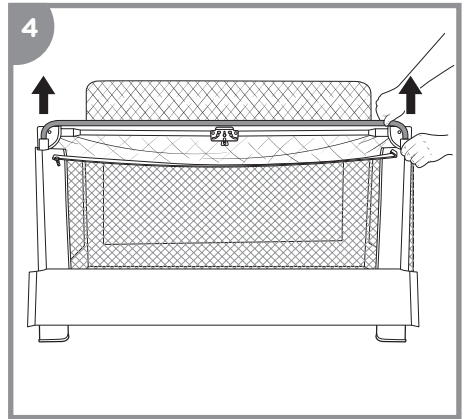
Remove the MATTRESS from the CRIB.



Remove the MATTRESS SUPPORT from the CRIB.

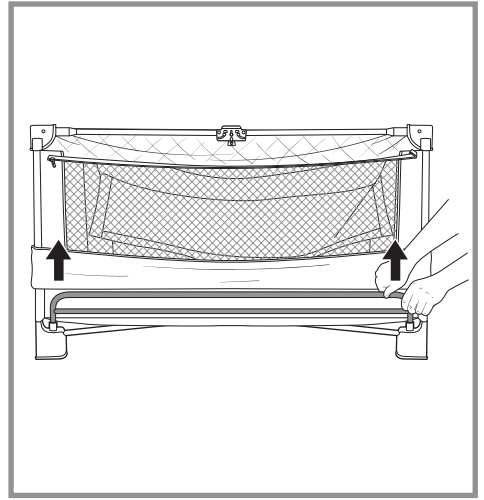
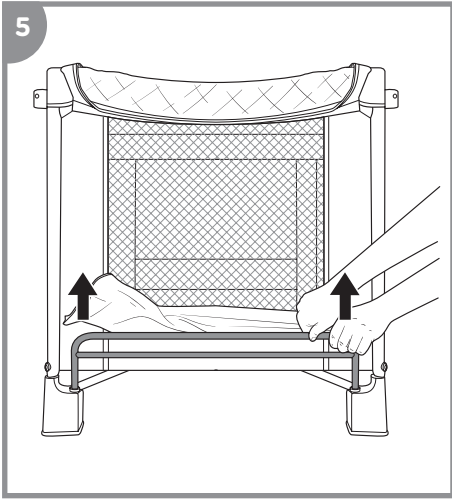


Unzip CRIB COVER under FRONT TOP RAIL.

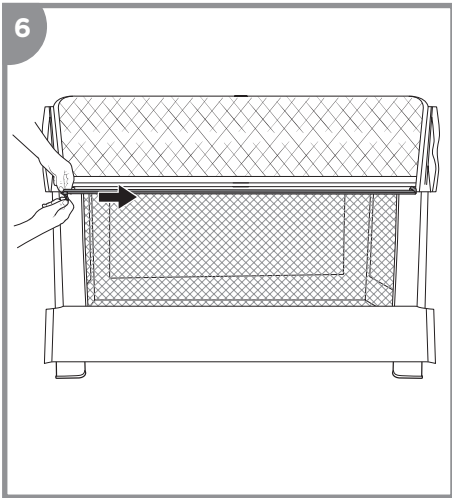


Lift up CRIB COVER and remove RAIL E ASSEMBLY by pressing BUTTONS on each side and lifting UP.

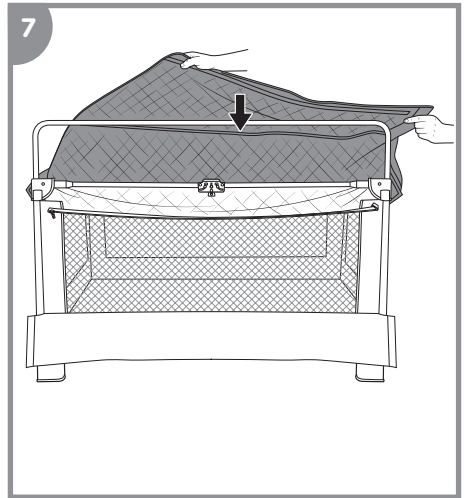
Folding the Crib for Storage (Continued):



Un-fasten CRIB COVER at all four corners and remove both C RAIL ASSEMBLIES on left and right sides of the CRIB and B RAIL ASSEMBLY on the rear bottom of CRIB by pressing BUTTONS on each side and lifting up.

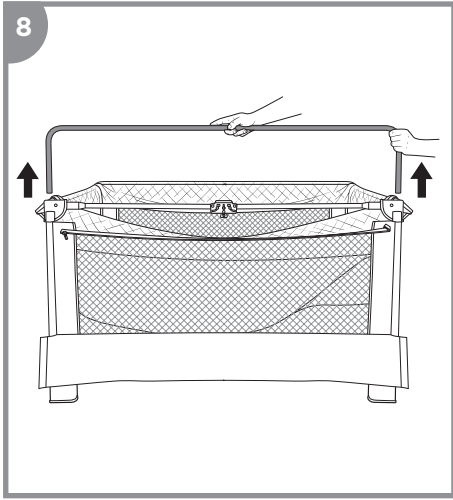


Unzip bottom of CRIB HEADBOARD COVER.

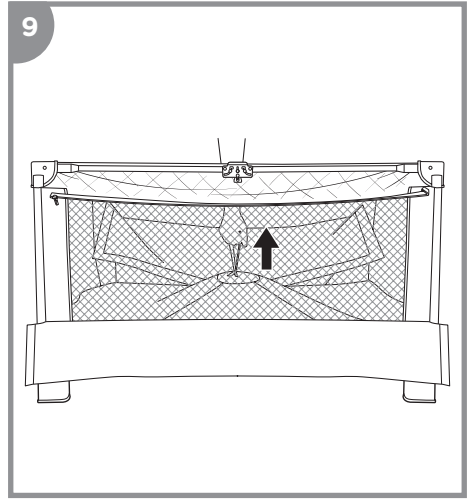


Un-fasten CRIB HEADBOARD COVER on the left and right side and lift up CRIB HEADBOARD COVER.

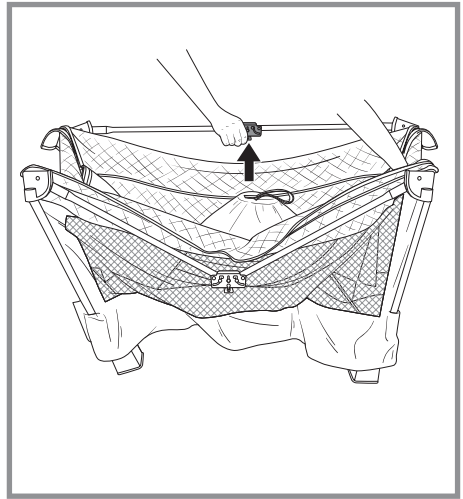
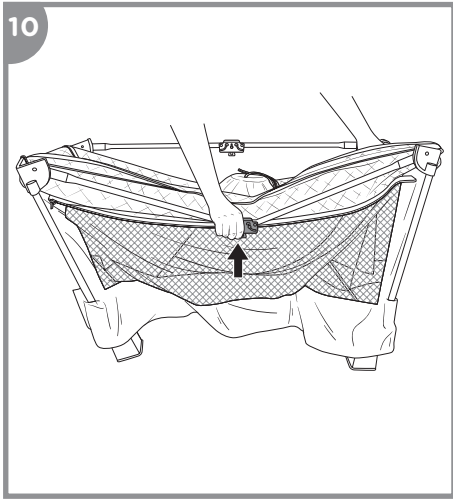
Folding the Crib for Storage (Continued):



Remove D RAIL ASSEMBLY on each side by pressing **BUTTONS** on right and left side and lifting up.

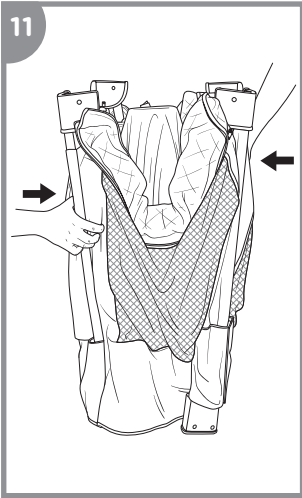


Lift up **CENTER STRAP** on the **CRIB FLOOR**.

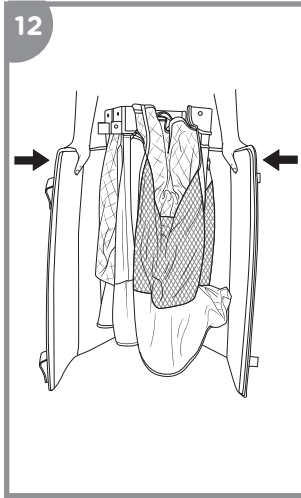


With the **CENTER** of the **CRIB FLOOR** raised, squeeze the **CENTER BUTTONS** on the underside of each of the **FRONT, SIDES AND BACK RAILS** and push down one at a time on each **RAIL**. **DO NOT FORCE THE RAILS DOWN IF THEY DO NOT UNLATCH**. If this happens, lift the **CENTER** of the **CRIB FLOOR** higher and repeat above for each **TOP RAIL**.

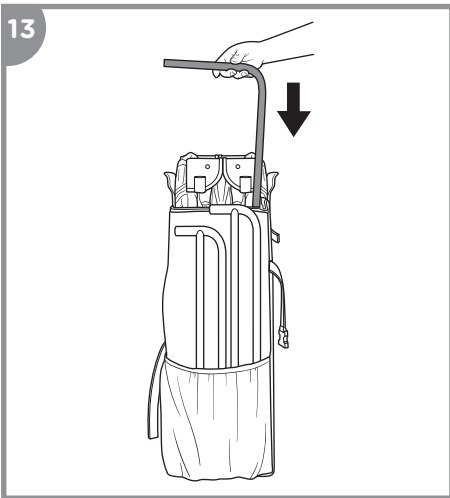
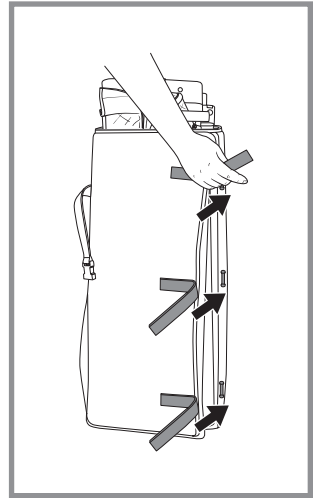
Folding the Crib for Storage (Continued):



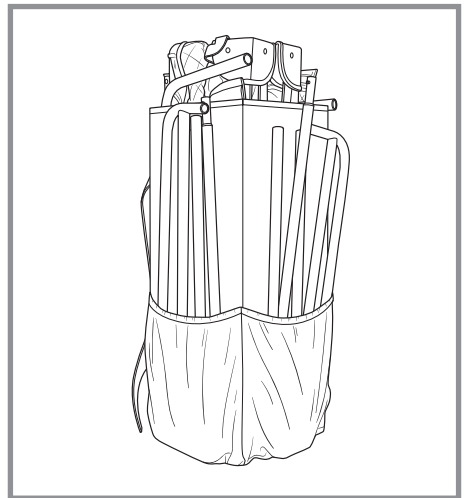
11 PULL THE CENTER STRAP all of the way up and bring all of the CRIB SIDES together. If there is any resistance, squeeze the CENTER BUTTON on any TOP RAILS to make sure it has been released.



12 WRAP the MATTRESS SUPPORT around the CRIB FRAME and secure with straps and pockets facing out.

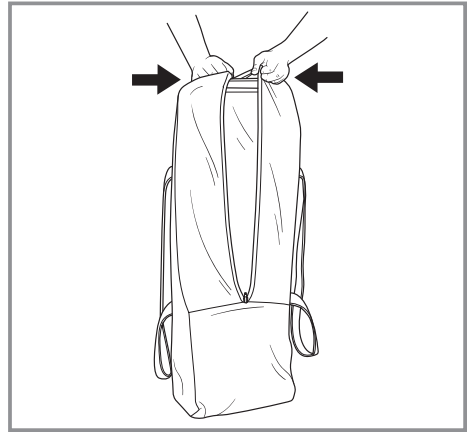
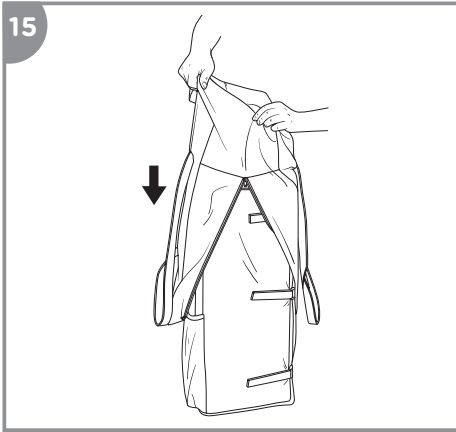


13 Disconnect RAIL A, B, D and E RAIL ASSEMBLIES by pressing the button in the center of RAILS and pulling apart into two pieces.



Store RAILS in the pockets in the MATTRESS SUPPORT.

Folding the Crib for Storage (Continued):



PLACE folded CRIB in the STORAGE BAG.

Care & Cleaning

Simply use a mild soap and damp cloth to wipe down the CRIB.

Limited Warranty

At Baby Delight, Inc. we make innovative and high quality products for babies, children and their parents. We warrant this product to be free from defects in material and workmanship existing at the time of manufacture for a period of 90-days from the date of initial purchase (sales receipt is required for proof of purchase). If such a defect is discovered during the limited warranty period, we will, at our sole option, repair or replace your product at no cost to you.

This limited warranty does not cover claims resulting from misuse, failure to follow the instructions on installation, maintenance and use, abuse, alteration, involvement in an accident, and normal wear and tear.

For warranty service or replacement part information:

Please call 1-401-333-6800, email info@babydelight.com, or write to Consumer Services: 30 Martin Street, Suite 3C, Cumberland, RI 02864

Some replacement parts may be available for purchase after this limited warranty expires. Please visit us at www.babydelight.com or call us at 1-401-333-6800 for details.

BABY  DELIGHT™

www.babydelight.com