

Read all instructions BEFORE assembly and USE of product.
KEEP INSTRUCTIONS FOR FUTURE USE. Do not use this product if it is damaged or broken. Use from birth until baby starts trying to sit up or has reached 20 lb (9 kg), whichever comes first.

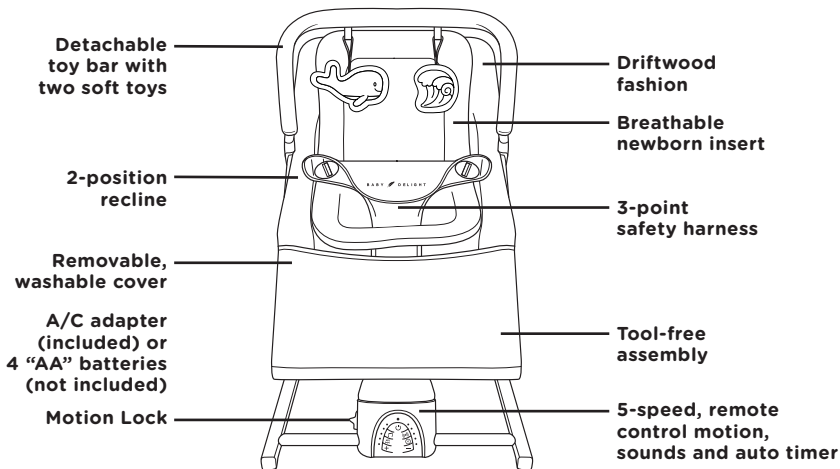
BABY  DELIGHT™

Alpine Wave

Deluxe Bouncer with Motion

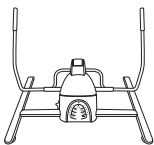


Scan Code for more product information

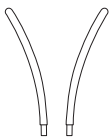


Care & Instructions

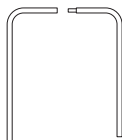
Contents



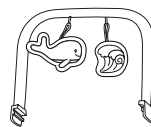
**Motion Unit/
Lower Frame**



**Left and Right
Back Legs**



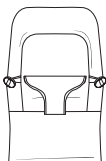
**Left and Right
Upper Frame**



Toy Bar



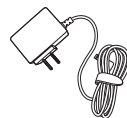
Newborn Insert



Fabric Cover



Remote Control



A/C Adapter

©2021 Baby Delight, Inc. 1-401-333-6800 www.babydelight.com

BD06090 | MADE IN CHINA

Safety Precautions

⚠️ WARNING: FAILURE TO FOLLOW THESE WARNINGS AND THE INSTRUCTIONS COULD RESULT IN SERIOUS INJURY OR DEATH. DO NOT USE THIS PRODUCT IF YOU CANNOT EXACTLY FOLLOW THE INSTRUCTIONS THAT COME WITH IT.

BOUNCER MODE: (without motion activated)

FALL Hazard: Babies have suffered skull fractures falling while in and from bouncers.

- Use bouncer **ONLY** on floor.
- **NEVER** lift or carry baby in bouncer.

SUFFOCATION HAZARD:

- Babies have suffocated when bouncers tipped over on soft surfaces and/or when bouncers have been used as a sleep product.
- **NEVER** use on a *bed, sofa, cushion, or other soft surface*. Stay near and watch baby during use.

To prevent **falls** and **suffocation**:

- **ALWAYS** use restraints and adjust to fit snugly.
- **STOP** using bouncer when baby starts trying to sit up or has reached 20 lbs., whichever comes first.

To prevent injury:

- **NEVER** adjust recline position while baby is in bouncer.
- **ALWAYS** check that recline adjustment is locked **BEFORE** each use.
- **ALWAYS** use the newborn insert until the child is at least 4 months of age and can hold head upright unassisted.

This product is not safe for sleep or unsupervised use. If baby falls asleep, move baby as soon as possible to a firm, flat sleep surface such as a crib or bassinet.

SWING MODE: (motion activated)

FALL and STRANGULATION HAZARDS: Infants have suffered head injuries falling from swings and strangled in straps.

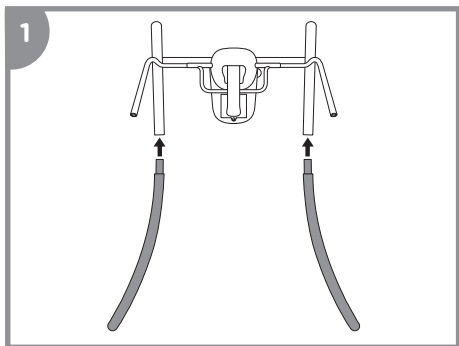
- **ALWAYS** use restraints and adjust to fit snugly.
- **STOP** using product when infant attempts to climb out (approximately 6 months).
- **ALWAYS** stay near and watch infant during use. This product is not safe for sleep or unsupervised use. If baby falls asleep, move baby as soon as possible to a firm, flat sleep surface such as a crib or bassinet.
- **ALWAYS** place swing on floor. Never use on any elevated surface.

SUFFOCATION HAZARD: Young infants have limited head and neck control. If the seat is too upright, infants head can drop forward and compress the airway.

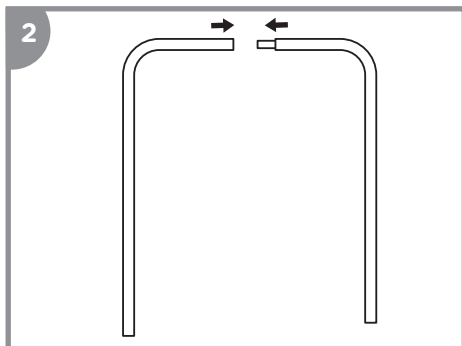
- **ALWAYS** keep swing fully reclined and use newborn insert until infant is at least 4 months old and can hold up head without help.

Warning—Strangulation Hazard—Children have STRANGLED in cords.
Keep the AC Adapter cord out of the reach of children (more than 3 ft (0.9 m) away).

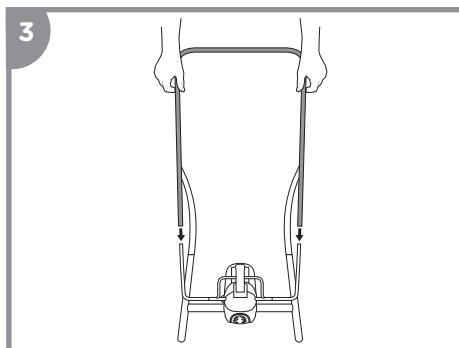
Assembling the Bouncer



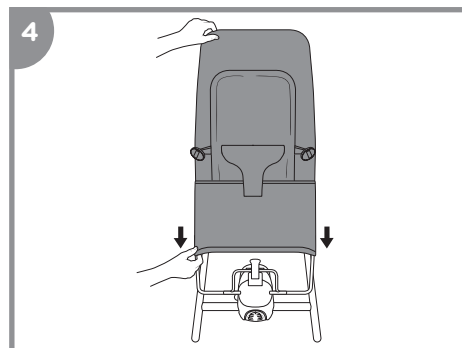
With non-skid feet facing down, plug the **LEFT** and **RIGHT BACK LEGS** into the **LOWER FRAME LEGS** by pressing **BUTTONS** until you hear a click.



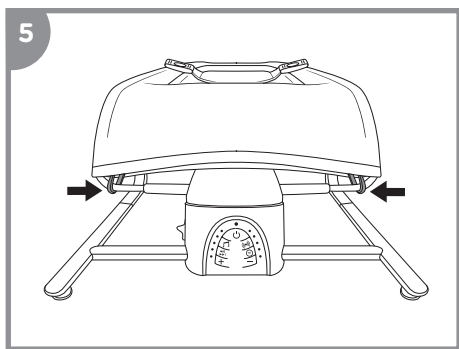
Plug the **LEFT** and **RIGHT UPPER FRAME** pieces into each other by pressing **BUTTON** until you hear a "click".



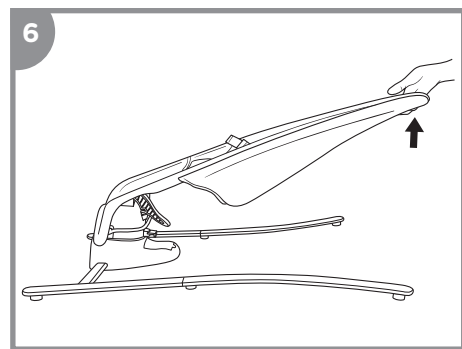
Plug **UPPER FRAME** into **LOWER FRAME** with holes facing inward until you hear a "click".



Slide the **FABRIC COVER** over the **FRAME**.

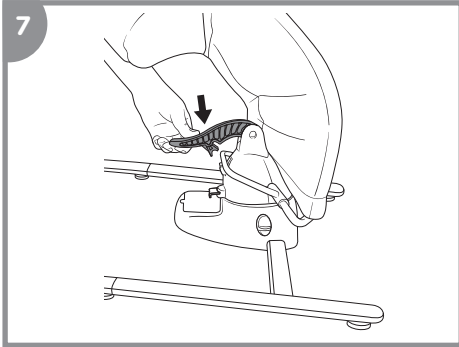


Attach the two **BLACK ELASTIC LOOP** on inside, bottom of **FABRIC COVER** to the **FRAME**.

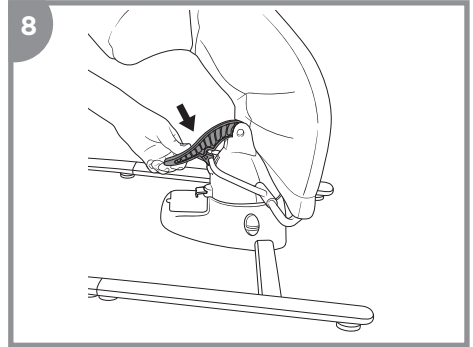


Unfold **BOUNCER** upright.

Assembling the Bouncer (Continued)

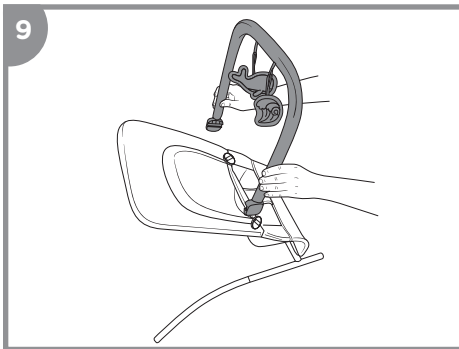


Make sure the FRAME is securely locked into the RECLINE ADJUSTER by pressing down RECLINE LOCK LEVER. You should hear an audible “click”.

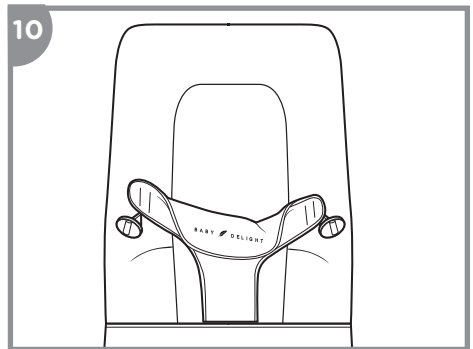


The Bouncer has 3 positions; 2 position recline and 1 position folded (see pg.9). For recline, click the FRAME BACKREST into either of the two positions of the RECLINE ADJUSTER by adjusting the FRAME and pressing down RECLINE LOCK LEVER.

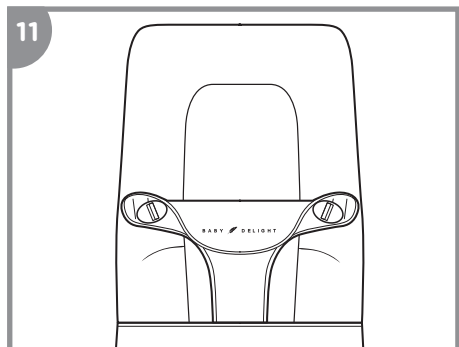
NOTE: Make sure the RECLINE ADJUSTER is locked into the desired recline spot.



Attach the TOY BAR to the FRAME by pressing CLIPS on to the FRAME.



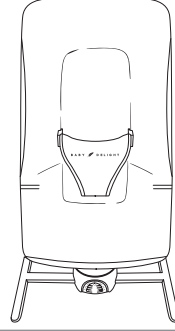
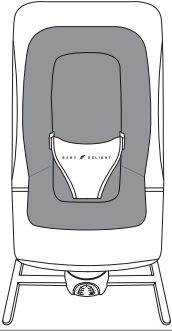
Unbuckle CHILD RESTRAINT STRAPS and place child in BOUNCER.



Buckle child into CHILD RESTRAINT and tighten STRAPS for a snug and secure fit.

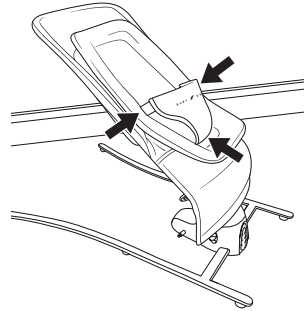
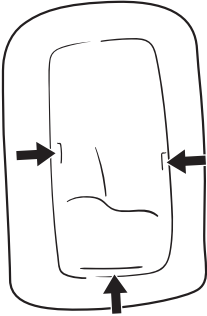
Assembling the Bouncer (Continued)

12



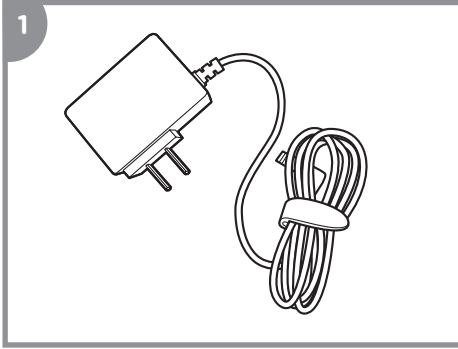
This BOUNCER may be used with or without the NEWBORN INSERT based on the size and comfort of your child.

13

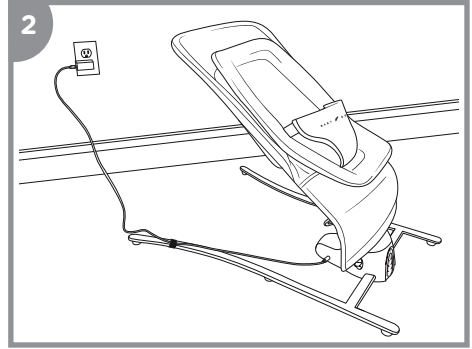


To use the NEWBORN INSERT, insert CHILD RESTRAINT STRAPS through SLOTS in the NEWBORN INSERT and pull the CHILD RESTRAINT through the lower section of the NEWBORN INSERT.

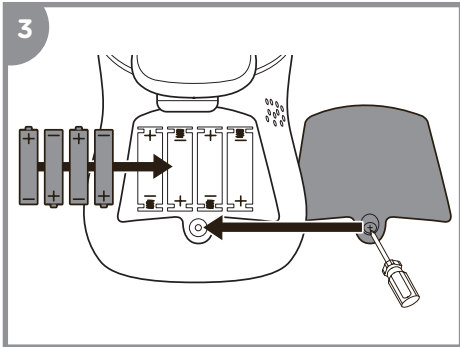
Control Unit Function



This product can be powered by AC ADAPTER (included) or four 1.5V AA batteries (not included).

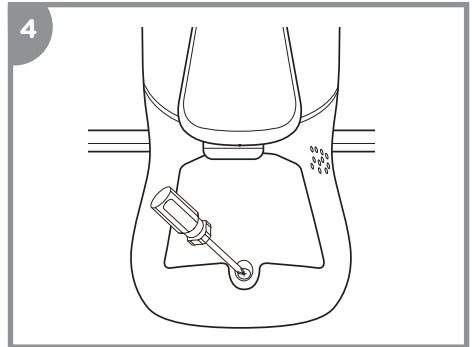


Plug AC ADAPTER JACK into the CONNECTOR on the rear left hand side of the CONTROL UNIT and plug into a wall socket from the back of the CONTROL UNIT. Use the fabric hook and loop fastener to secure the cord to the FRAME LEGS and keep AC ADAPTER CORD away from child.



If using batteries, unscrew BATTERY DOOR with Phillips Head screw driver (not included) on back of CONTROL UNIT.

Insert 4 "AA" batteries (not included) in accordance with the +/- polarity shown inside BATTERY COMPARTMENT and replace BATTERY DOOR with screw.



Battery Warnings:

Do not mix old and new batteries.

Do not mix alkaline, standard (carbon-zinc), or rechargeable (nickel-cadmium) batteries.

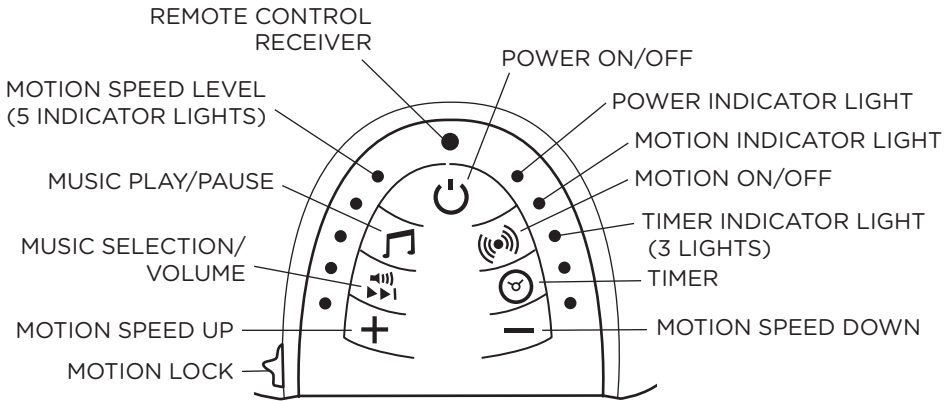
Remove batteries before putting bouncer into storage for a prolonged period of time.

⚠ CAUTION

To prevent battery leaks, which can burn skin and eyes:

- Always replace the entire set of batteries at one time.
- Never mix old and new batteries, or batteries of different brands or types.
- Remove batteries when storing product for a long time.
- Dispose of used batteries immediately.

Control Unit Function



POWER ON/OFF: Press to turn on and off power. Red LED will light when on. **NOTE: Turning unit on or off is only possible on CONTROL UNIT, not on the REMOTE CONTROL.**



MUSIC PLAY/PAUSE: Press the button once to start playing music. Press it second time to stop playing music.



MUSIC SELECTION/VOLUME: Press to scroll through the music/sounds. **HOLD BUTTON DOWN TO ADJUST THE VOLUME** once music is selected.



MOTION SPEED: There are five motion speeds. Press “+” to increase speed and “-” to decrease speed. LEDs will indicate which of 5 speeds is selected. **NOTE: Motion is restricted when MOTION LOCK is in the UP position. Avoid turning motion on when the MOTION LOCK in engaged.**

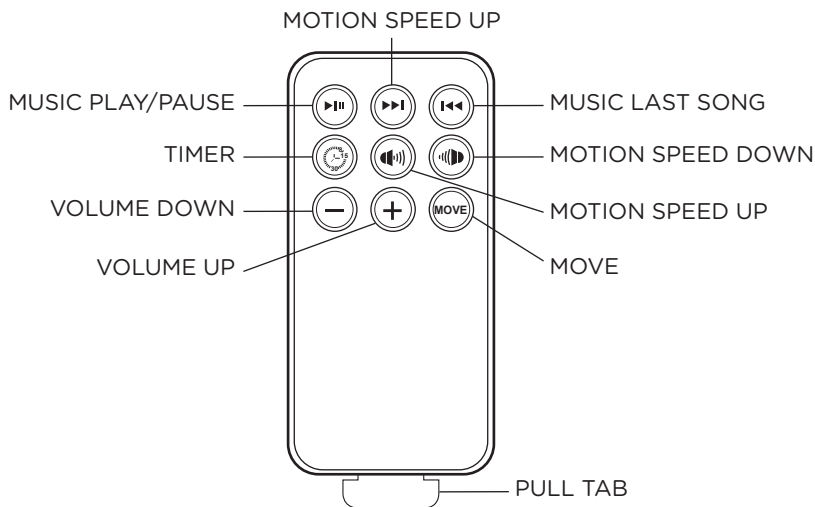


MOTION ON/OFF: Press to turn motion on or off. Orange LED will light when on. (Automatically will start to the lowest motion speed.)












TIMER: There are three timer settings. Press once to illuminate the LED for 8 minutes, twice for 15 minutes, and a third time for 30 minutes. All functions will turn off after chosen time. If a time is not selected, all functions will remain on until CONTROL unit is powered off.

Remote Control Function

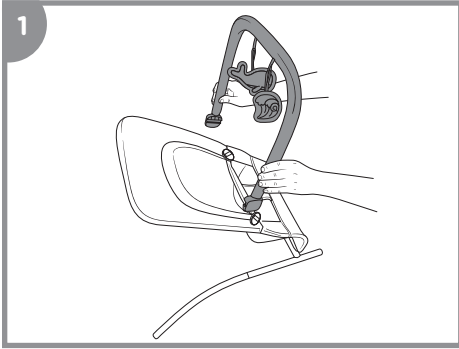


Remove battery pull tab (3V CR2025 lithium coin battery is included) from bottom of remote control before first use.

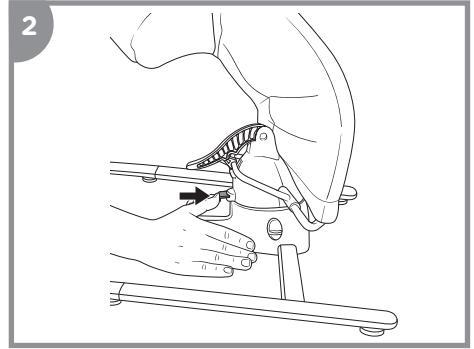
NOTE: To turn power on or off, please press the POWER BUTTON on the CONTROL UNIT on BOUNCER.

-  MUSIC PLAY/PAUSE: Press the button once to start playing music. Press it second time to stop playing music.
-  MUSIC NEXT SOUND: Press to scroll through the music/sounds.
-  MUSIC LAST SOUND: Press to scroll back through the music/sounds.
-  TIMER: There are three timer settings. Press once to illuminate the LED for 8 minute timer, twice for 15 minutes, and a third time for 30 minutes. All functions will turn off after chosen time. If a time is not selected, all functions will remain on until CONTROL unit is powered off.
-  VOLUME UP: Press to increase the volume.
-  VOLUME DOWN: Press to decrease the volume.
-  MOTION SPEED UP: Press to increase the motion.
-  MOTION SPEED DOWN: Press to decrease the motion.
-  MOVE: Press to turn motion on or OFF.

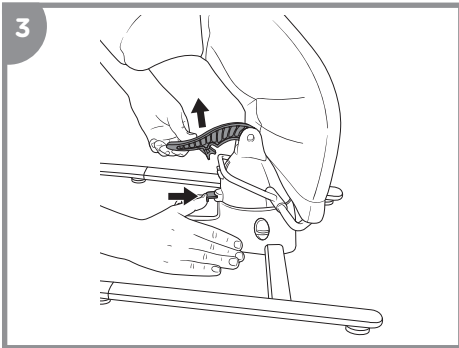
Folding the Bouncer



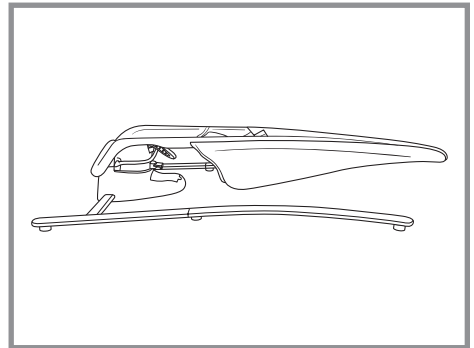
1
Remove the TOY BAR by pulling the TOY BAR off with both hands in a downward direction.



2
Press the SILVER LEVER in on back of CONTROL UNIT.



3
While pressing the SILVER LEVER, lift RECLINE LOCK LEVER up until FRAME folds flat.



This device complies with part 15 of the FCC Rules. Operation is subject to the following two conditions: (1) this device may not cause harmful interference, and (2) this device must accept any interference received, including interference that may cause undesired operation.

⚠ WARNING! Changes or modifications to this unit not expressly approved by the party responsible for compliance could void the user's authority to operate the equipment.

NOTE: This equipment has been tested and found to comply with the limits for a Class B digital device, pursuant to part 15 of the FCC Rules. These limits are designed to provide reasonable protection against harmful interference in a residential installation. This equipment generates, uses and can radiate radio frequency energy and, if not installed and used in accordance with the instructions, may cause harmful interference to radio communications. However, there is no guarantee that interference will not occur in a particular installation. If this equipment does cause harmful interference to radio or television reception, which can be determined by turning the equipment off and on, the user is encouraged to try to correct the interference by one or more of the following measures:

Reorient or relocate the receiving antenna.

Increase the separation between the equipment and receiver.

Connect the equipment into an outlet on a circuit different from that to which the receiver is connected. Consult the dealer or an experienced radio/TV technician for help.

This Class B digital apparatus complies with Canadian ICES-003.

Care & Cleaning

Cleaning:

Simply use a mild soap and damp cloth to wipe down the FRAME and FABRIC SEAT. To machine wash FABRIC COVER, wash on gentle cycle and hang to dry.

Limited Warranty

At Baby Delight, Inc. we make innovative and high quality products for babies, children and their parents. We warrant this product to be free from defects in material and workmanship existing at the time of manufacture for a period of 90-days from the date of initial purchase (sales receipt is required for proof of purchase). If such a defect is discovered during the limited warranty period, we will, at our sole option, repair or replace your product at no cost to you.

This limited warranty does not cover claims resulting from misuse, failure to follow the instructions on installation, maintenance and use, abuse, alteration, involvement in an accident, and normal wear and tear.

DO NOT use BASSINET if any parts are missing, damaged, or broken. Contact for replacement parts and instructional literature if needed. DO NOT substitute parts.

For warranty service or replacement part information:

USA: Please call Customer Service at 1-401-333-6800, email at consumercare@babydelight.com, or mail 30 Martin Street, Suite 3C, Cumberland, RI 02864.

B A B Y  D E L I G H T

www.babydelight.com

©2021 Baby Delight, Inc. | 30 Martin Street, Suite 3C, Cumberland, RI, 02864, USA
1-401-333-6800 | consumercare@babydelight.com

BD06090