

Read all instructions BEFORE assembly and USE of product.
KEEP INSTRUCTIONS FOR FUTURE USE. Do not use this product if it is damaged or broken. Use from birth until the infant begins to push up on hands and knees, can roll over, or has reached 20 lbs., (9.1 kg) whichever comes first.

BABY  DELIGHT™

Beside Me™ Nova

Bassinet with Stand

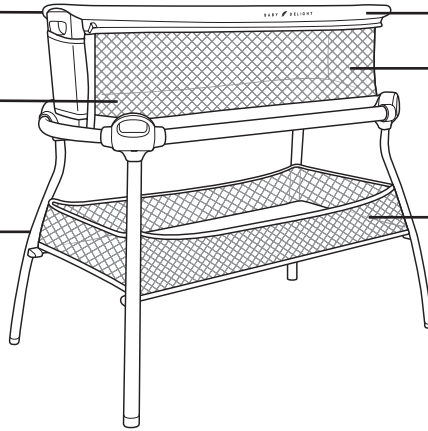


Scan Code for more product information

Removable bassinet can be used in the stand or on the floor

Mattress and sheet included

Tool-free assembly



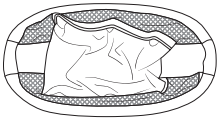
Removable, washable cover

Breathable mesh walls

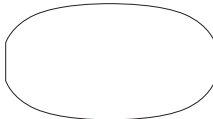
Extra large storage basket

Care & Instructions

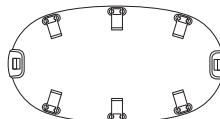
Contents



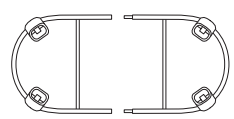
Fabric Cover



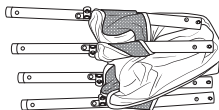
Mattress and Waterproof Sheet



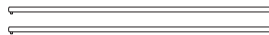
Mattress Support with Legs



Stand Frame (2 pc)



Stand Legs with Storage Basket



Storage Basket Shelf Tubes (2 pc)

Safety Precautions

⚠️ WARNING: FAILURE TO FOLLOW THESE WARNINGS AND THE INSTRUCTIONS COULD RESULT IN SERIOUS INJURY OR DEATH. DO NOT USE THIS PRODUCT IF YOU CANNOT EXACTLY FOLLOW THE INSTRUCTIONS THAT COME WITH IT.

FALL HAZARD

- To help prevent falls, do not use this product when the infant begins to push up on hands and knees, can roll over, or has reached 20 lbs., (9.1 kg) whichever comes first.
- NEVER remove the bassinet bed with the infant in it.
- When using the bassinet bed in portable mode, ALWAYS use on a stable floor with the 6 stabilizing legs extended and locked in position.
- Always check that the bassinet is securely locked on the base/stand by pulling upwards on the bassinet bed. Check regularly and BEFORE each use.

SUFFOCATION HAZARD

 Infants have suffocated:

- In gaps between extra padding and side of bassinet, and
- On soft bedding.

Use only the mattress pad provided by Baby Delight, Inc

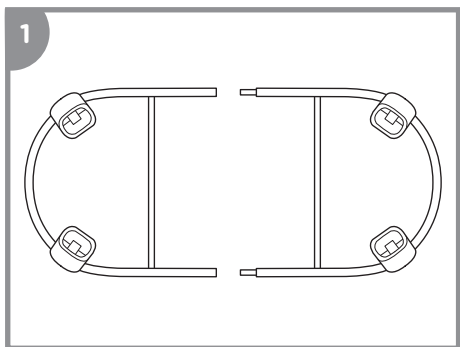
NEVER add a pillow, comforter, or another mattress for padding.

- If a sheet is used with the pad, use only the one provided by Baby Delight or one specifically designed to fit the dimension of the bassinet mattress.
- NEVER use the bassinet bed in portable mode on a bed, sofa, cushion or other soft surface as it can tip over and the infant can suffocate on the soft surface.
- To reduce the risk of SIDS, pediatricians recommend healthy infants be placed on their backs to sleep, unless otherwise advised by your physician.

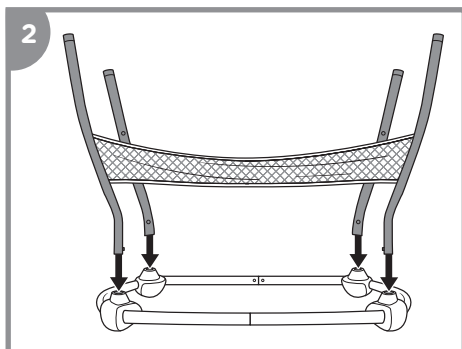
⚠️ ADDITIONAL WARNINGS:

- **STRINGS CAN CAUSE STRANGULATION! DO NOT PLACE ITEMS WITH A STRING AROUND A CHILD'S NECK, SUCH AS HOOD STRINGS OR PACIFIER CORDS. DO NOT SUSPEND STRINGS OVER A BASSINET OR CRADLE OR ATTACH STRINGS TO TOYS.**
- **NEVER PLACE BASSINET NEAR WINDOW BLINDS OR PATIO DOORS WHERE A CHILD COULD REACH THE CORD AND BE STRANGLER.**
- **CHECK THIS BASSINET REGULARLY BEFORE USING IT, AND DO NOT USE IT IF ANY PART IS LOOSE OR MISSING OR IF THERE ARE ANY SIGNS OF DAMAGE. DO NOT SUBSTITUTE PARTS. CONTACT BABY DELIGHT, INC. IF REPLACEMENT PARTS OR ADDITIONAL INSTRUCTIONS ARE NEEDED.**

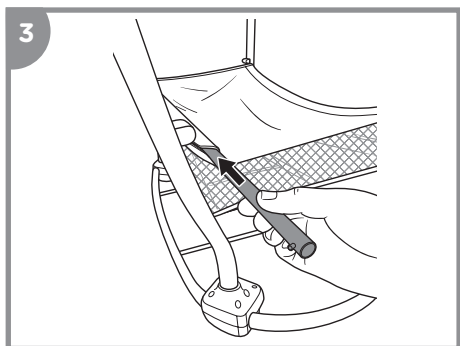
Assembling the Stand



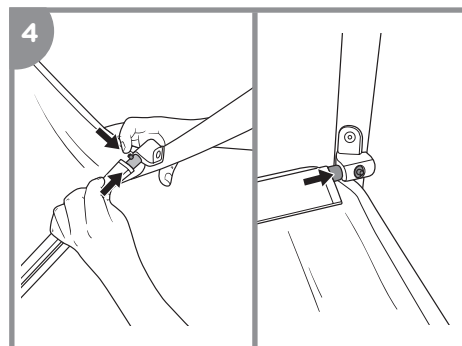
1
Insert both STAND FRAMES into each other until you hear a “click”.



2
Plug the four STAND LEGS (matching “A’s” to “A’s and “B’s” to “B’s”) into the STAND FRAME corners making sure BUTTONS face inward and are clicked into place.

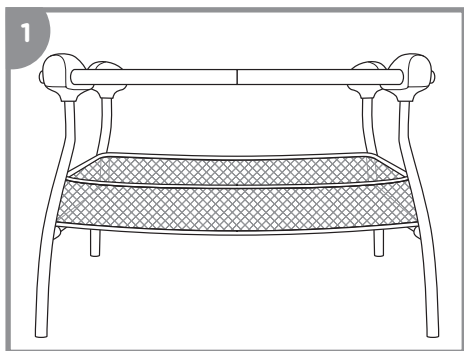


3
Insert STORAGE BASKET SHELF TUBE into STORAGE BASKET sleeve on underside of STORAGE BASKET.

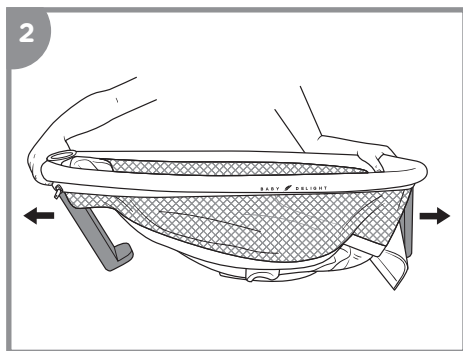


4
Squeeze BUTTON to insert STORAGE BASKET SHELF TUBE into STAND FRAME LEG. Repeat on opposite end of STORAGE BASKET SHELF TUBE. Repeat on opposite side of BASSINET with the other STORAGE BASKET SHELF TUBE.

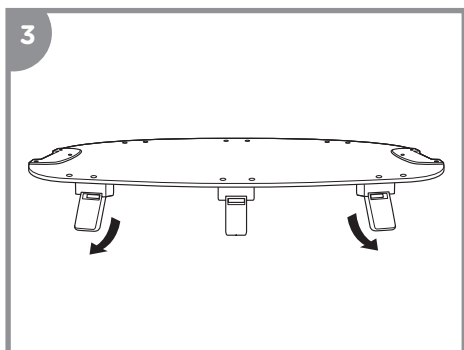
Assembling the Bassinet



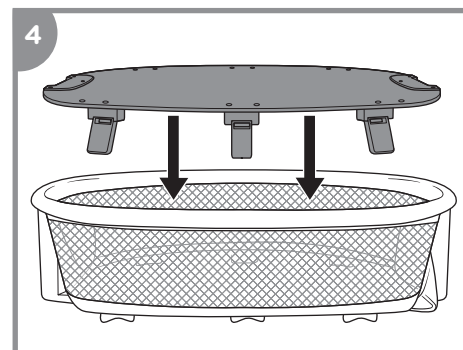
Turn STAND FRAME right side up.



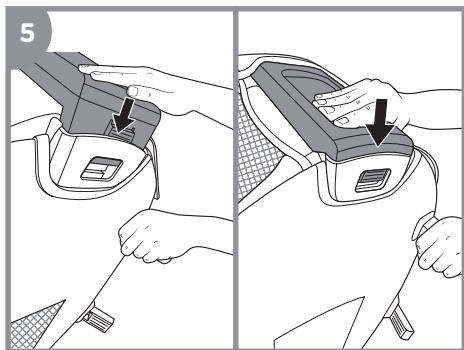
On FABRIC COVER, swing out the BASSINET SUPPORTS.



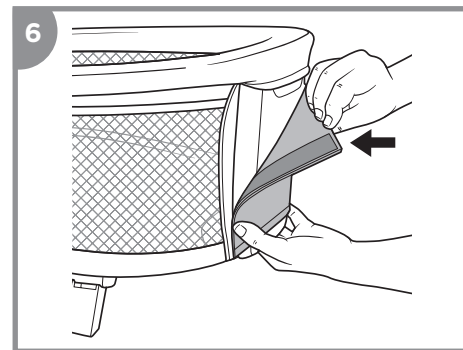
On MATTRESS SUPPORT, unfold each of the six LEGS.



Insert MATTRESS SUPPORT into FABRIC COVER making sure each of the LEGS go through the LEG HOLES in the FABRIC COVER.

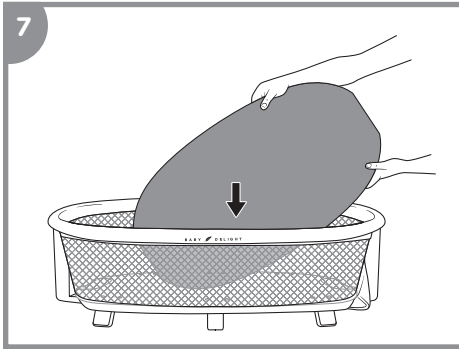


Plug BASSINET SUPPORT into MATTRESS SUPPORT SLOT until BASSINET SUPPORT is engaged. Repeat on opposite end of BASSINET.

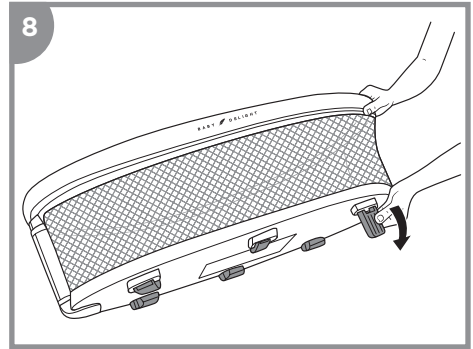


Fasten MATTRESS SUPPORT FABRIC COVERS over each end of BASSINET.

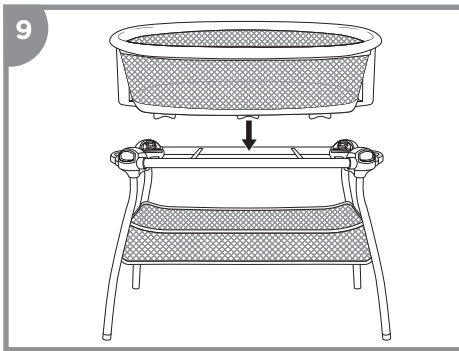
Assembling the Bassinet (Continued)



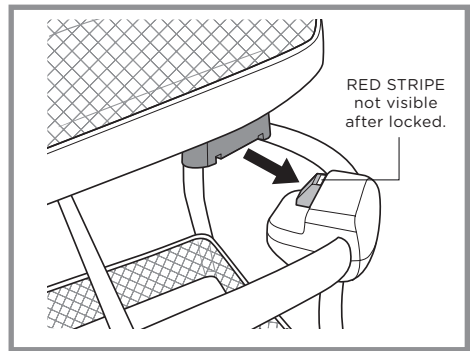
Insert MATTRESS into BASSINET.



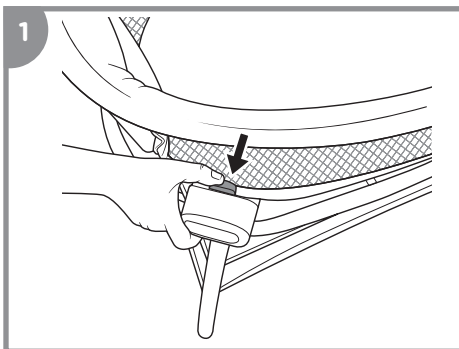
Fold each of the six LEGS under BASSINET.



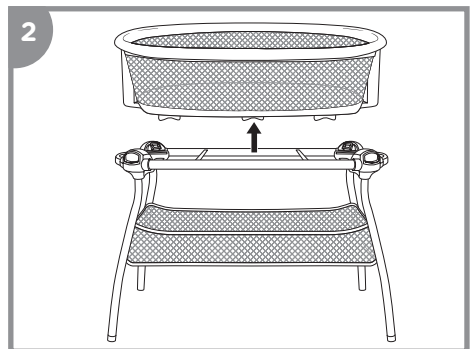
Place BASSINET into STAND making sure each corner clicks into place. The RED STRIPE on the LOCK MECHANISM should not be visible when locked.



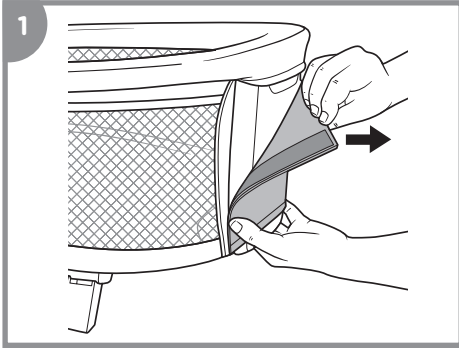
Removing the Bassinet



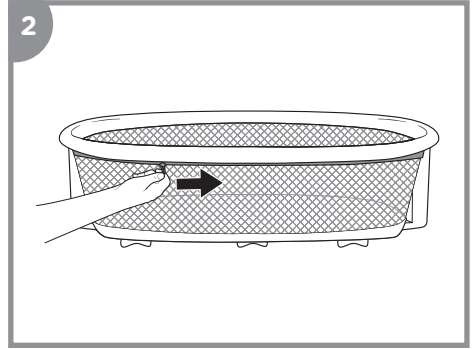
To remove BASSINET, press the BUTTON of one of the LOCK MECHANISMS, lift BASSINET, and press the BUTTON on the LOCK MECHANISM on the same end of BASSINET and lift BASSINET up and out.



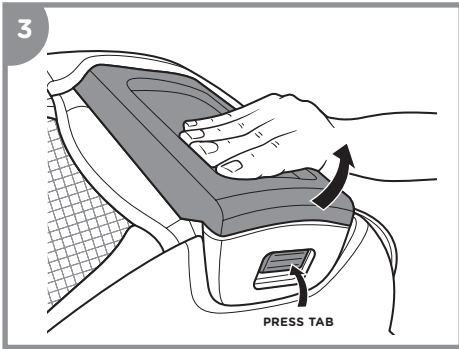
Care & Cleaning/ Removing the Cover



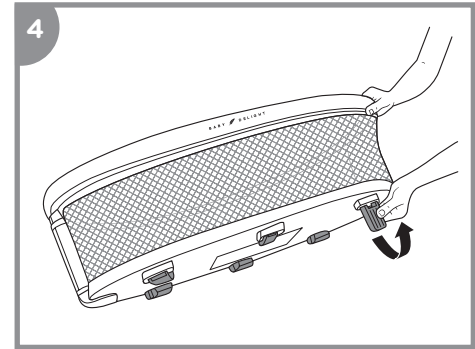
Un-Fasten MATTRESS SUPPORT FABRIC COVERS on each end of BASSINET.



Un-zip FABRIC COVER under top rail of each side.



Un-Plug BASSINET SUPPORT from MATTRESS SUPPORT SLOT by pressing BASSINET SUPPORT TAB and swinging outward. Repeat on opposite end of BASSINET.



Unfold each of the six LEGS and pull off FABRIC COVER.

Reverse steps 1 -4 to reassemble.

Care & Cleaning

Maintenance:

The BASSINET and the MATTRESS have a stain resistant FABRIC COVER which is completely removable and washable.

The removal of the FABRIC COVER should be carried out by an adult only. On a regular basis check the condition of the product and presence of any possible damage. In the case of damage do not use and keep it out of the reach of children.

Cleaning:

Do not use solvents, abrasives or aggressive products. After each wash check the resistance of the FABRIC COVER and the stitching. The Beside Me™ Nova COVER and SHEET are machine washable. Always wash in cold water and dry on low heat to keep your Beside Me™ Nova in the best condition. Do not use bleach. The PAD and COVER can also be cleaned with a wet cloth.

Limited Warranty

At Baby Delight, Inc. we make innovative and high quality products for babies, children and their parents. We warrant this product to be free from defects in material and workmanship existing at the time of manufacture for a period of 90-days from the date of initial purchase (sales receipt is required for proof of purchase). If such a defect is discovered during the limited warranty period, we will, at our sole option, repair or replace your product at no cost to you.

This limited warranty does not cover claims resulting from misuse, failure to follow the instructions on installation, maintenance and use, abuse, alteration, involvement in an accident, and normal wear and tear.

DO NOT use BASSINET if any parts are missing, damaged, or broken. Contact for replacement parts and instructional literature if needed. DO NOT substitute parts.

For warranty service or replacement part information:

USA: Please call Customer Service at 1-401-333-6800, email at consumercare@babydelight.com, or mail 30 Martin Street, Suite 3C, Cumberland, RI 02864.

B A B Y  D E L I G H T

www.babydelight.com

© 2021 Baby Delight, Inc. | 30 Martin Street, Suite 3C, Cumberland, RI, 02864, USA
1-401-333-6800 | consumercare@babydelight.com

BD06080