

**Read all instructions BEFORE assembly and USE of product. KEEP INSTRUCTIONS FOR FUTURE USE. Do not use this product if it is damaged or broken. Use from birth until baby starts trying to sit up or has reached 20 lb (9 kg), whichever comes first.**

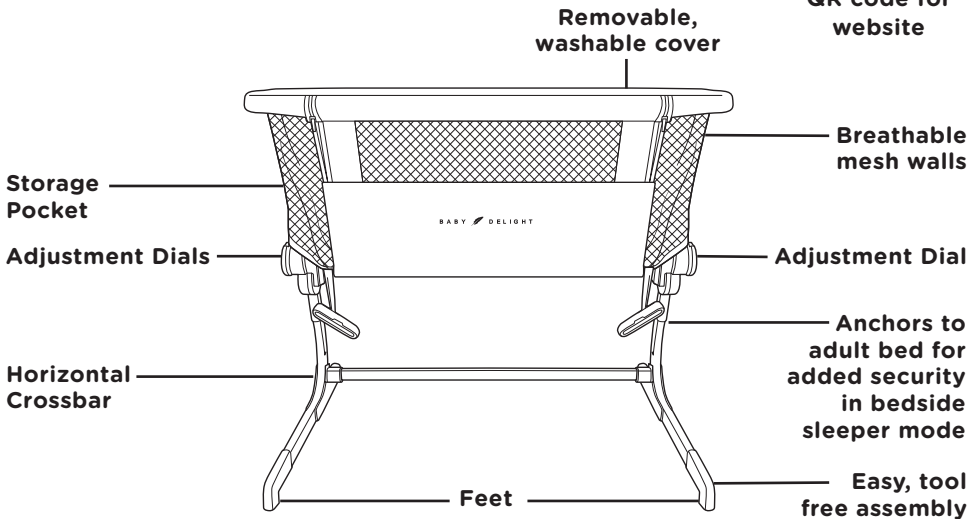
BABY  DELIGHT™

# Beside Me™ Dreamer Summit

Bassinet and Bedside Sleeper

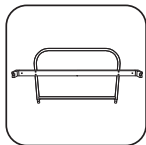


Please scan QR code for website



## Care & Instructions

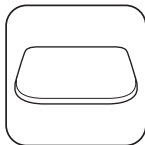
### Contents



Middle support frame



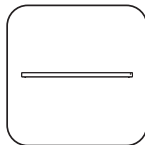
Sleeper frame



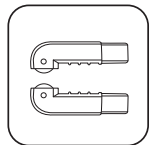
Mattress, cover & waterproof sheet



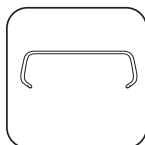
Anchors



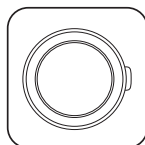
Horizontal Crossbar



Feet



Front support frame



Height adjustment dial cap (2pc)

**⚠ WARNING:** FAILURE TO FOLLOW THESE WARNINGS AND THE INSTRUCTION COULD RESULT IN SERIOUS INJURY OR DEATH.

## **SUFFOCATION HAZARD INFANTS HAVE SUFFOCATED:**

- IN GAPS BETWEEN EXTRA PADDING AND SIDE OF BASSINET/CRADLE, AND ON SOFT BEDDING.
- USE ONLY THE PAD AND SHEET PROVIDED BY MANUFACTURER.
- NEVER ADD A PILLOW, COMFORTER OR ANOTHER MATTRESS FOR PADDING.
- NEVER LEAVE INFANT IN BASSINET WITH SIDE DOWN UNLESS IT IS SECURELY POSITIONED IN SLEEPER MODE ATTACHED TO THE ADULT BED.
- TO REDUCE THE RISK OF SUDDEN INFANT DEATH SYNDROME (SIDS), PEDIATRICIANS RECOMMEND HEALTHY INFANTS BE PLACED ON THEIR BACK TO SLEEP, UNLESS OTHERWISE ADVISED BY YOUR PHYSICIAN.

## **ENTRAPMENT HAZARD**

- TO AVOID DEATH FROM THE INFANT'S NECK BEING CAUGHT ON THE TOP RAIL ON THE SIDE THAT IS NEXT TO THE ADULT BED, THE TOP RAIL MUST BE NO HIGHER THAN THE ADULT BED MATTRESS.
- TO PREVENT DEATH FROM ENTRAPMENT, BEDSIDE SLEEPER MUST BE PROPERLY SECURED TO ADULT BED USING THE ATTACHMENT SYSTEM.
- THERE MUST BE NO MORE THAN 1/2 INCH (13MM) GAP BETWEEN BEDSIDE SLEEPER AND ADULT BED.
- CHECK TIGHTNESS BEFORE EACH USE BY PULLING BEDSIDE SLEEPER IN A DIRECTION AWAY FROM ADULT BED.
- IF GAP EXCEEDS 1/2 INCH (13MM), DO NOT FILL THE GAP WITH PILLOWS, BLANKETS OR OTHER ITEMS THAT ARE SUFFOCATION HAZARDS.
- ALWAYS READ AND FOLLOW ASSEMBLY INSTRUCTIONS FOR EACH PRODUCT USE MODE (BEDSIDE SLEEPER/BASSINET).
- ALWAYS USE ALL REQUIRED PARTS FOR EACH USE MODE (BEDSIDE SLEEPER/BASSINET).
- CHECK INSTRUCTION MANUAL FOR A LIST OF REQUIRED PARTS. PERIODICALLY CHECK PRODUCT FOR LOOSE, DAMAGED, OR MISSING PARTS.

## **FALL HAZARD**

- TO HELP PREVENT FALLS, DO NOT USE THIS PRODUCT WHEN THE INFANT BEGINS TO PUSH UP ON HANDS AND KNEES OR HAS REACHED MANUFACTURER'S RECOMMENDED MAXIMUM WEIGHT OF 20LBS, WHICHEVER COMES FIRST.
- ALWAYS READ AND FOLLOW ASSEMBLY INSTRUCTIONS FOR EACH PRODUCT USE MODE (BEDSIDE SLEEPER/BASSINET).
- ALWAYS USE ALL REQUIRED PARTS FOR EACH USE MODE. CHECK INSTRUCTIONS MANUAL FOR A LIST OF REQUIRED PARTS. PERIODICALLY CHECK PRODUCT FOR LOOSE, DAMAGED OR MISSING PARTS.

# **⚠️ WARNING! - CONTINUED**

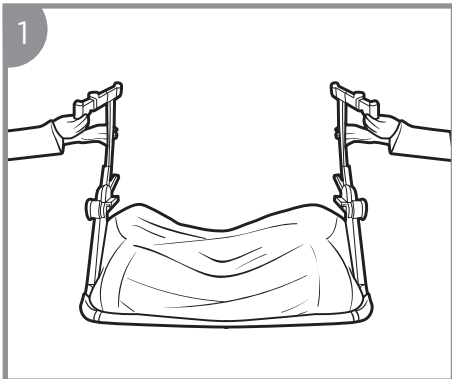
- **RAISE SIDE WITH ZIPPER (COMPLETELY CLOSED) TO USE BASSINET MODE.**
- **PUSH ADULT MATTRESS AGAINST BEDSIDE SLEEPER AFTER SECURING TO BED WITH SAFETY STRAPS.**
- **NEVER LEAVE INFANT IN BASSINET MODE WITH SIDES DOWN.**
- **THE ANCHOR PLATE AND STRAPS ASSEMBLY MUST ALWAYS BE USED IN BEDSIDE SLEEPER MODE. PRODUCT IN BEDSIDE SLEEPER MODE MUST BE TIGHTLY ATTACHED TO ADULT BED MATTRESS TO ENSURE SAFETY.**
- **IT IS RECOMMENDED TO MAKE THE STRAP SHORTER THAN THE WIDTH OF THE MATTRESS TO ENSURE BEDSIDE SLEEPER IS PRESSED SECURELY AGAINST THE PARENTAL BED, WITHOUT ANY GAPS.**
- **A BEDSIDE SLEEPER IS DESIGNED TO PROVIDE A SLEEPING AREA FOR AN INFANT UNTIL HE OR SHE BEGINS TO PUSH UP ON HANDS AND KNEES, OR APPROXIMATELY 5 MONTHS OF AGE, MAXIMUM WEIGHT OF 9KGS. MOVE YOUR CHILD TO ANOTHER SLEEPING PRODUCT WHEN YOUR CHILD REACHES THIS STAGE.**

## **IMPORTANT!**

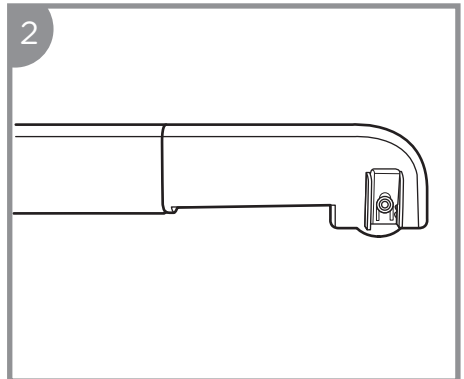
**INSERT THE MATTRESS SUPPORT STRAPS INTO HIDDEN POCKET UNDERNEATH THE BEDSIDE SLEEPER WHEN USING IN FREESTANDING BASSINET MODE TO AVOID ANY LOOSE HANGING STRAPS.**

## **Assembly/Operating Instructions**

### **Assembling the BASSINET:**

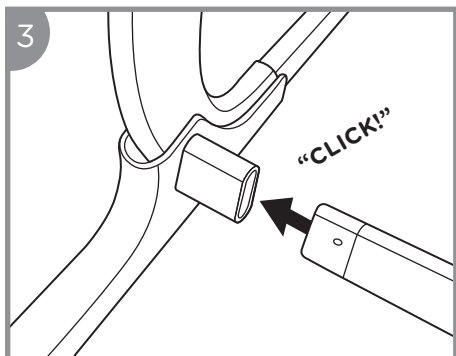


Lay the SLEEPER FRAME face down on a flat surface and open both of the FRAME LEGS outward.

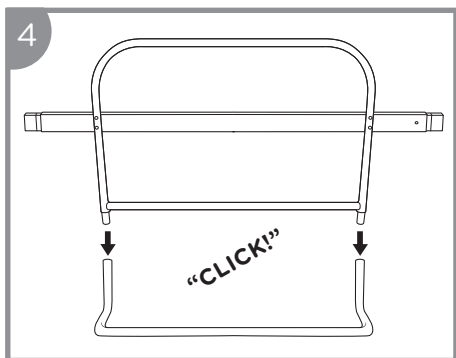
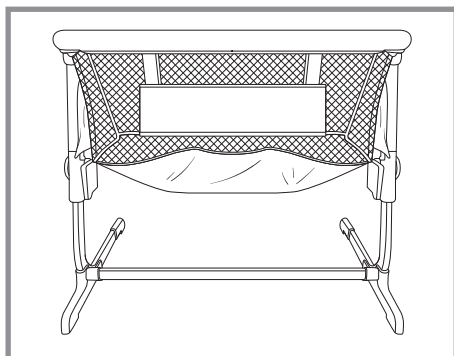


Plug FEET into each LEG with the BRAKE LEVER facing inward.

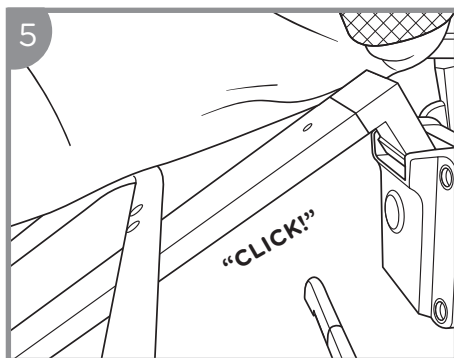
## Assembly/Operating Instructions - Continued



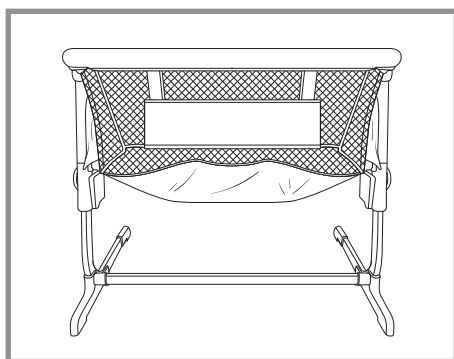
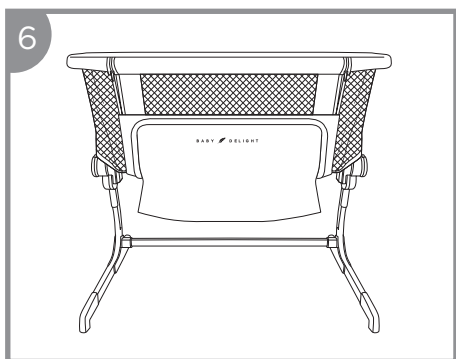
Plug HORIZONTAL SUPPORT BAR with BUTTONS facing down into each FRAME LEG until you hear a "click" sound.



Insert FRONT SUPPORT FRAME into MIDDLE SUPPORT FRAME pressing BUTTONS in until you hear a "click" sound.

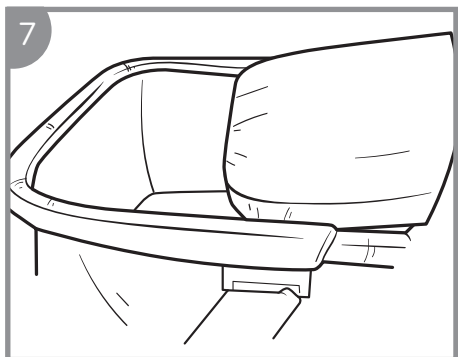


Insert SUPPORT FRAME ASSEMBLY into FRAME on both sides until you hear a "click" sound.

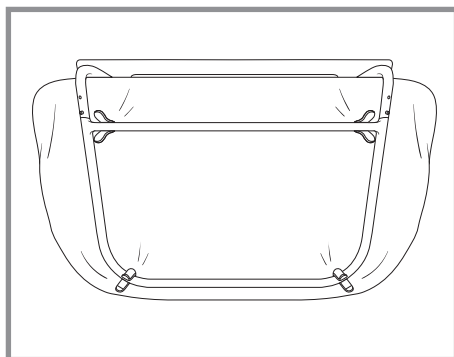


Place COVER over FRONT SUPPORT FRAME and secure underneath to MIDDLE SUPPORT FRAME with three LOOP FASTENERS.

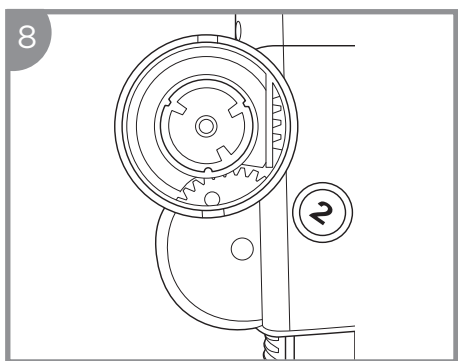
## Assembly/Operating Instructions - Continued



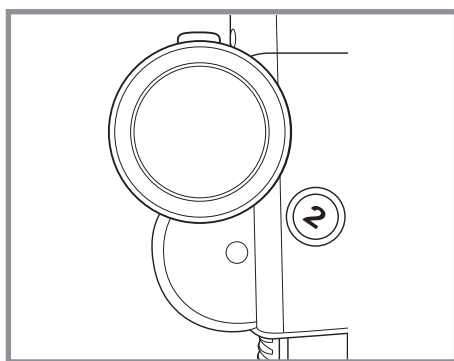
Place **MATTRESS** inside **FRAME** with curved edge facing the curved edge of the **FRAME**.



Press **MATTRESS** down until the **PLASTIC CLIPS** on bottom of mattress snap onto the **MIDDLE SUPPORT FRAME**.



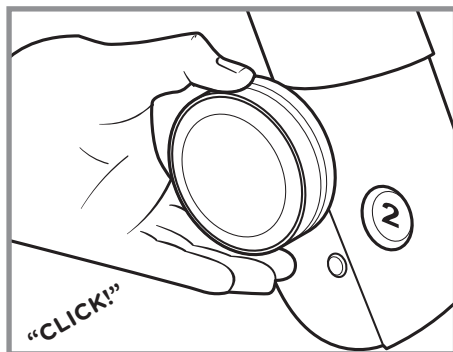
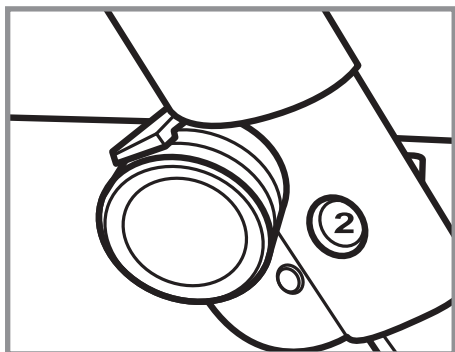
Snap **HEIGHT ADJUSTMENT DIAL CAP** (you may need to rotate cap until it keys itself in) into each side of the **FRAME** until it clicks in.



### Height adjustment of the bassinet:

The **BASSINET** can be adjusted to different height positions:

1. To adjust the height, push the **HEIGHT ADJUSTMENT DIAL BUTTON** and then turn the **HEIGHT ADJUSTMENT DIAL** clockwise to lower the **BASSINET** or counter clockwise to raise the sleeper. Turn the cap to the desired height until number is visible and an audible “click” sound is heard.



2. Repeat this operation on the opposite side. **BASSINET SHOULD ALWAYS BE SET TO THE SAME HEIGHT ON BOTH SIDES.**

3. The bedside sleeper mode of the BASSINET is designed for use only with adult beds that are between 18.5 - 29 inches (47cm-73cm) from floor to top of adult mattress.

### Bedside Sleeping Mode (Attaching to the Bed)

## **⚠ WARNING! - IMPORTANT FOR THE SAFETY OF YOUR CHILD:**

**THIS METHOD IS ONLY POSSIBLE WITH BED TYPES THAT COMPLY WITH ALL OF THE CONDITIONS DESCRIBED IN THIS PARAGRAPH.**

**IN PARTICULAR, THE SIDE SUPPORT OF THE CRIB SHOULD ALWAYS BE PUT CLOSE TO THE PARENT'S MATTRESS AND THE MATTRESS SHOULD ALWAYS BE ALIGNED WITH THE HEIGHT OF THE SIDE SUPPORT FOR RESTRAINT OF THE BEDSIDE SLEEPER. FURTHERMORE, THE BEDSIDE SLEEPER SHOULD BE FIRMLY FIXED TO THE STRUCTURE OF THE PARENT'S BED OR TO THE MATTRESS SUPPORT.**

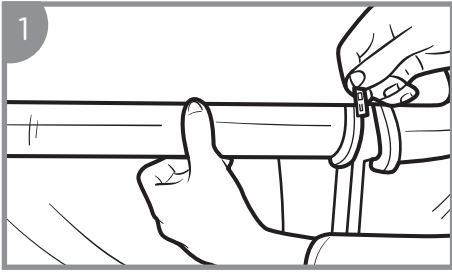
## **⚠ WARNING!**

**CHECK TO MAKE SURE THAT THE BEDSIDE SLEEPER IN THE BEDSIDE SLEEPER MODE DOES NOT INTERFERE WITH THE PARENT'S BED.**

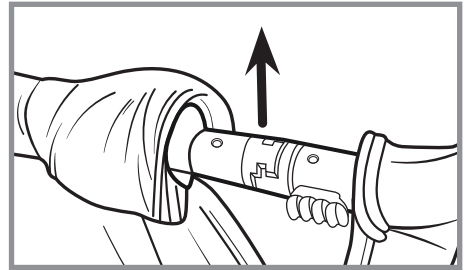
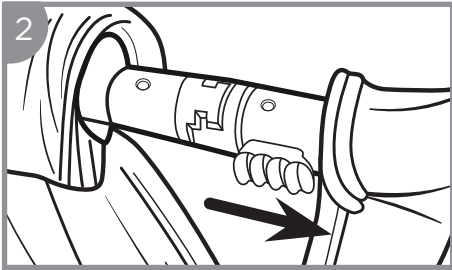
## **⚠ WARNING!**

**DURING USE, MAKE SURE THAT THE PARENT'S BED SHEETS, BLANKETS ETC, DO NOT ENTER AND COVER THE INTERIOR OF THE BEDSIDE SLEEPER.**

## Bedside Sleeping Mode - Continued



Unzip the sides of the BEDSIDE SLEEPER until they are completely unzipped.



Slide the TOP BAR LOCK LEVER away from the TOP BAR and lift top bar out of groove on both sides and fold down.

3. Move the BEDSIDE SLEEPER close to the parent's bed and check the height of the BEDSIDE SLEEPER compared with the MATTRESS on the bed. The SIDE SUPPORT of the BEDSIDE SLEEPER should always be placed close to the parent's MATTRESS and the MATTRESS should always be aligned with the height of the SIDE SUPPORT for restraint of the BEDSIDE SLEEPER.

### **⚠ WARNING:**

**IN THE BEDSIDE SLEEPER MODE THE TWO LEGS OF THE BEDSIDE SLEEPER SHOULD ALWAYS BE ADJUSTED TO THE SAME HEIGHT.**

4. In order to attach the BEDSIDE SLEEPER to the parent's bed in BEDSIDE SLEEPER mode, use the attached pair of ANCHORS provided.

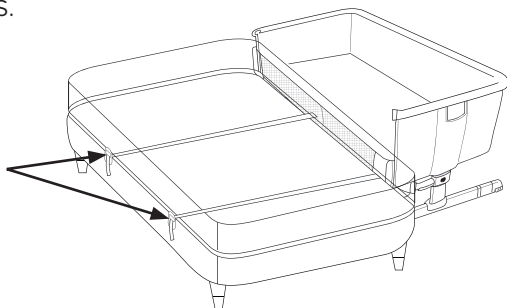
5. Slide the ANCHORS between the top MATTRESS and the base across the opposite side of the bed using a back and forth 'sawing' motion and at the same time pulling downward until the STRAPS and ANCHORS are in the desired position.

### **⚠ WARNING:** ENSURE THE ANCHORS ARE STRAIGHT.

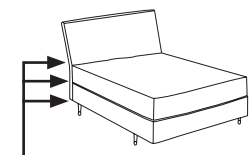
## Bedside Sleeping Mode - Continued

6. Tighten the loop by pulling the ANCHOR STRAPS firmly. Adjust the ANCHOR STRAPS separately until the BEDSIDE SLEEPER is firmly in contact with the parent's MATTRESS.

NEVER USE THIS PRODUCT IN BEDSIDE SLEEPER MODE WITHOUT THE ANCHOR PLATES SECURELY ATTACHED TO THE ADULT BED

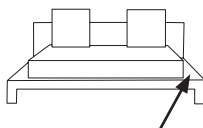


**ACCEPTABLE BED FRAME  
IN-LINE**



**MATTRESS, BOXSPRINGS &  
FRAME ALIGNED**

**UNACCEPTABLE BED, MATTRESS,  
BOXSPRING & FRAME NOT IN-LINE**



**FRAME EXTENDED**

### **⚠️ ADDITIONAL WARNING:**

**STRINGS CAN CAUSE STRANGULATION! DO NOT PLACE ITEMS WITH A STRING AROUND A CHILD'S NECK, SUCH AS HOOD STRINGS OR PACIFIER CORDS. DO NOT SUSPEND STRINGS OVER A BASSINET OR CRADLE OR ATTACH STRINGS TO TOYS.**

### **⚠️ WARNING:**

- **BEFORE EVERY USE ALWAYS CHECK TO MAKE SURE THERE IS NO SPACE BETWEEN THE PARENT'S MATTRESS AND THE SIDE OF THE SLEEPER. IF THERE IS, PULL THE BELTS FIRMLY TO TIGHTEN UNTIL THERE'S NO SPACE AND THE PERMITTED CONDITION OF USE HAS BEEN RESTORED.**
- **USE OF PRODUCT IS ONLY PERMITTED WITH BEDS AND/OR MATTRESSES WITH STRAIGHT SIDES, USE OF THE PRODUCT WITH ROUND MATTRESS AND OR MATTRESS OR WATER BED IS NOT PERMITTED.**
- **WHEN THE PRODUCT IS USED IN THE BEDSIDE SLEEPER MODE, IT SHOULD ALWAYS BE FITTED TO THE LONG SIDE OF ACCESS TO THE BED, DO NOT FIX THE PRODUCT TO THE BED OR BOTTOM OF THE BED.**

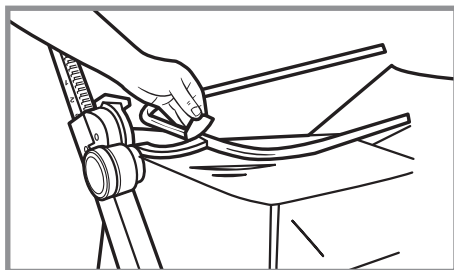
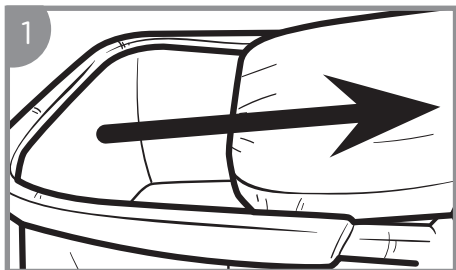


## Bedside Sleeping Mode - Continued

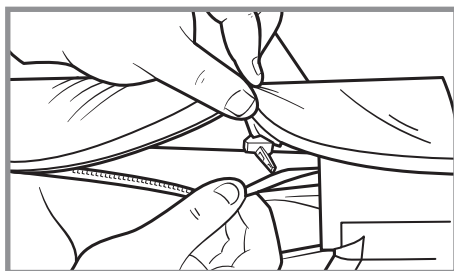
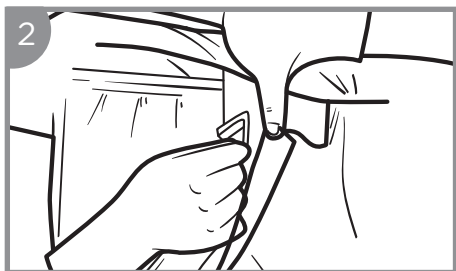
**⚠ WARNING:** THE ATTACHMENT SYSTEM MUST ALWAYS BE USED IN BEDSIDE SLEEPER MODE.

### Care & Cleaning

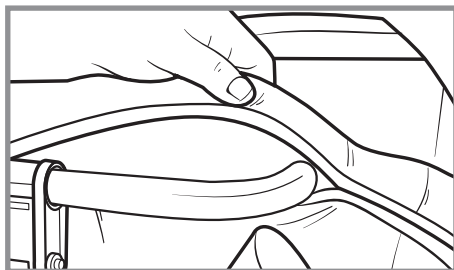
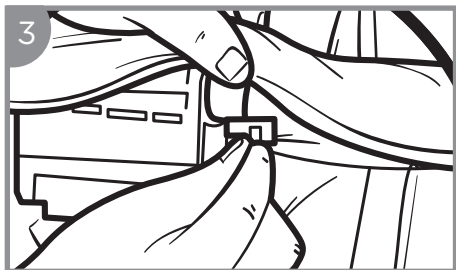
#### Removing the cover:



Remove the MATTRESS, by unfastening the LOOPS under the MATTRESS and lifting MATTRESS up until the PLASTIC CLIPS detach from the FRAME on the underside of the BASSINET.



Release the hook & loop from the SIDE RAIL COVER of the BEDSIDE SLEEPER as per image. Locate the ZIPPER underneath the fabric lip of the structure and unzip.



Gently remove the COVER from the upper tubular structure, making sure not to damage the internal part of the lining.

## How to Care for Your Beside Me Dreamer

### Maintenance:

The BASSINET and the MATTRESS have a stain resistant FABRIC COVER which is completely removable and washable. The removal of the FABRIC COVER should be carried out by an adult only. On a regular basis check the condition of the product and presence of any possible damage. In the case of damage do not use and keep it out of the reach of children.

### Cleaning:

Do not use solvents, abrasives or aggressive products. After each wash check the resistance of the fabric and the stitching. For washing of the fabric, carefully comply with instructions indicated on the label.

## Limited Warranty

At Baby Delight, Inc. we make innovative and high quality products for babies, children and their parents. We warrant this product to be free from defects in material and workmanship existing at the time of manufacture for a period of 90-days from the date of initial purchase (sales receipt is required for proof of purchase). If such a defect is discovered during the limited warranty period, we will, at our sole option, repair or replace your product at no cost to you.

This limited warranty does not cover claims resulting from misuse, failure to follow the instructions on installation, maintenance and use, abuse, alteration, involvement in an accident, and normal wear and tear.

DO NOT use bedside sleeper if any parts are missing, damaged, or broken. Contact for replacement parts and instructional literature if needed. DO NOT substitute parts.

For warranty service or replacement part information:

USA: Please call Customer Service at 1-401-333-6800, email at [consumercare@babydelight.com](mailto:consumercare@babydelight.com), or mail 30 Martin Street, Suite 3C, Cumberland, RI 02864.

B A B Y  D E L I G H T

[www.babydelight.com](http://www.babydelight.com)

©2021 Baby Delight, Inc. 1-401-333-6800 [consumercare@babydelight.com](mailto:consumercare@babydelight.com)

MADE IN CHINA | BD06070