

Read all instructions BEFORE assembly and USE of product.  
KEEP INSTRUCTIONS FOR FUTURE USE. Prior to using the product,  
check that the product and all parts were not damaged during delivery.  
Do not use this product if it is damaged or broken.

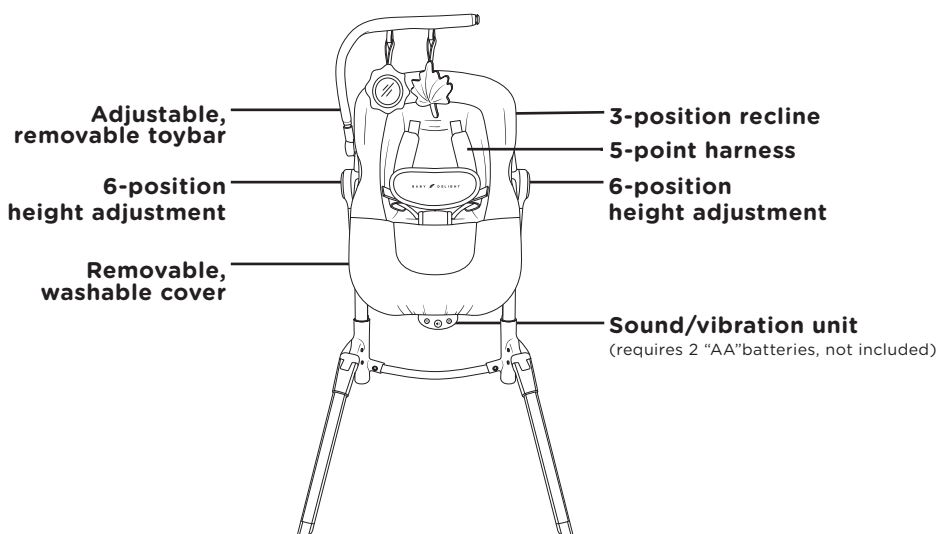
BABY  DELIGHT™

# Bloom

## Soothing Adjustable Lounger

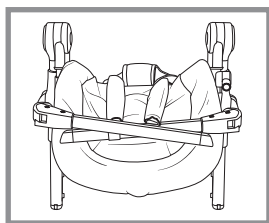


Scan Code for  
more product  
information

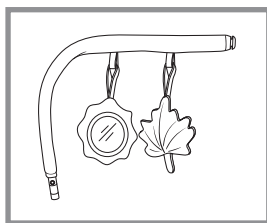


## Care & Instructions

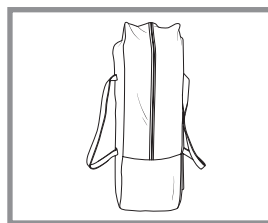
### Contents



Bloom Lounger



Toy Bar



Travel Bag

©2021 Baby Delight, Inc. 1-401-333-6800 [www.babydelight.com](http://www.babydelight.com)

BD06020 | MADE IN CHINA

## Safety Precautions

**⚠ WARNING:** **IMPORTANT!**  
**KEEP FOR FUTURE REFERENCE!**

**FALL HAZARD:** Children have suffered severe head injuries including skull fractures when falling from chairs. Falls can happen suddenly if child is not restrained properly.

Always use restraints, and adjust to fit snugly.

**ONLY** use the seat in the upright position with a child capable of sitting upright unassisted. Otherwise keep child in the recline positions.

Stay near and watch child during use.

**NEVER** lift and/or carry child in product.

**STOP** using product when child has reached 20 lbs (9 kg.).

**Suffocation Hazard :**

**NEVER** allow child to sleep in product.

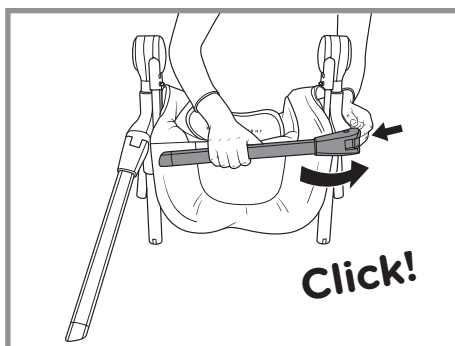
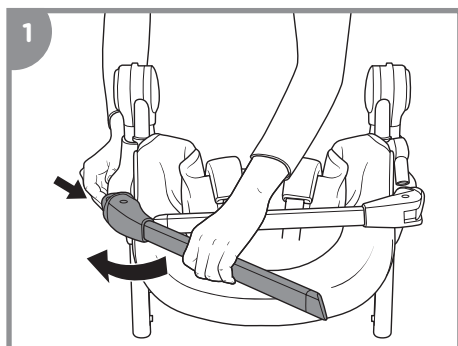
**Battery Warnings:**

Do not mix old and new batteries.

Do not mix alkaline, standard (carbon-zinc), or rechargeable (nickel-cadmium) batteries.

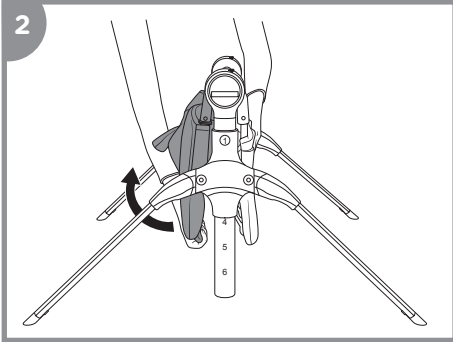
Remove batteries before putting infant lounger seat into storage for a prolonged period of time.

## Assembly/Operating

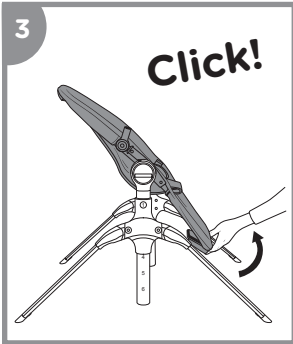
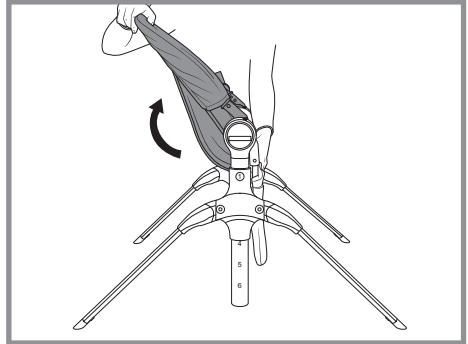


Remove BLOOM from TRAVEL BAG and unfold four LEGS outward and downward until you hear a “click” sound.

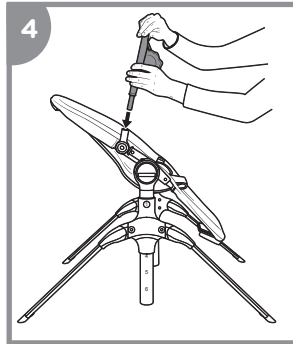
## Assembly/Operating - Continued



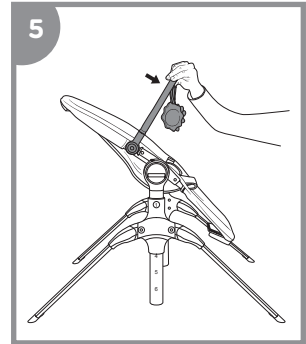
Pull SEAT LATCH under the top of the SEAT and rotate the SEAT up until you hear a “click” sound.



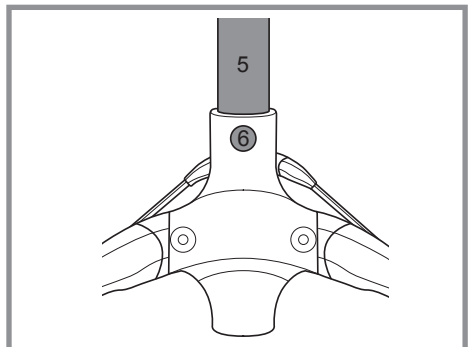
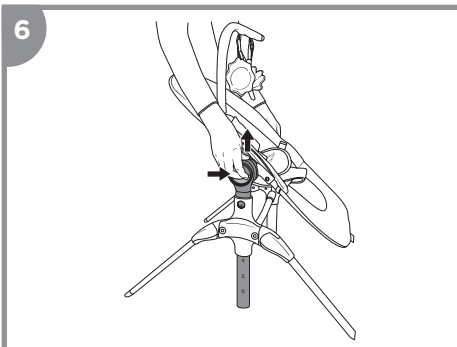
Pull bottom of SEAT upward until you hear a “click” sound.



Plug TOYBAR into TOYBAR CONNECTOR with TOYS oriented over SEAT.



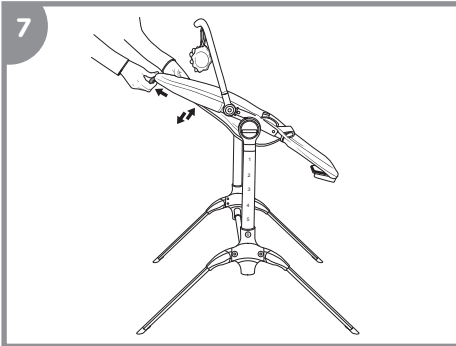
To adjust the TOYBAR, pull the TOYBAR forward or push the TOYBAR back.



The BLOOM has 6 levels of height adjustment. To adjust height, squeeze the HEIGHT ADJUSTMENT LEVERS on each side of the FRAME and adjust the BLOOM up or down until you hear a “click” sound at desired height.

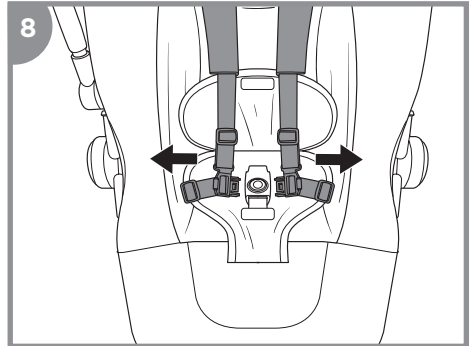
NOTE: Please make sure the HEIGHT ADJUSTMENT NUMBERS on each side match each other.

## Assembly/Operating - Continued

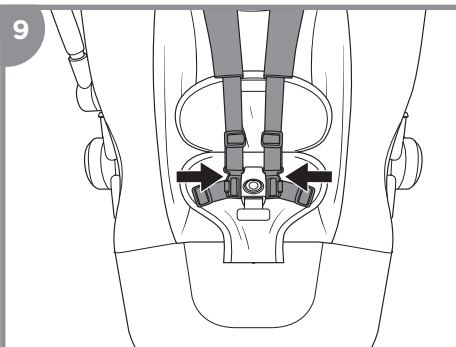


7  
There are three adjustments to the angle of the SEAT. Pull SEAT LATCH on the back of the SEAT outward to adjust angle up or down.

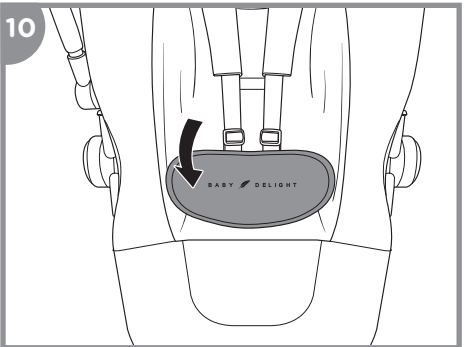
Using the 5-point harness:



8  
Unfasten the CROTCH RESTRAINT COVER up and unbuckle child RESTRAINT STRAPS and place child in SEAT.

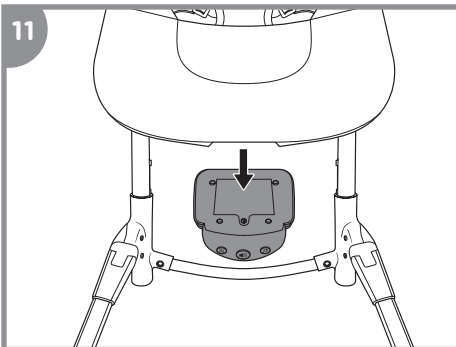


9  
Buckle child into child RESTRAINT and tighten STRAPS for a snug and secure fit.

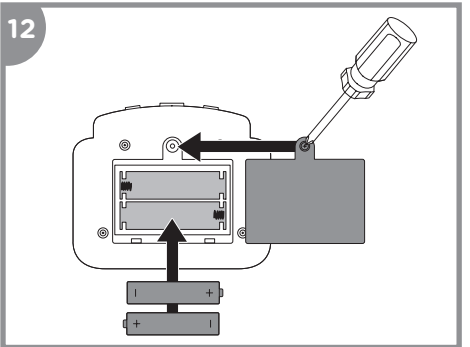


10  
Refasten the CROTCH RESTRAINT COVER.

**Sound/Vibration Unit:**

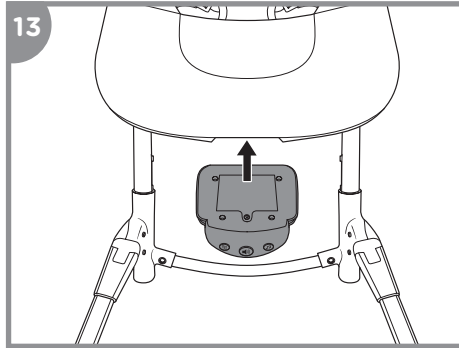


11  
Slide SOUND/VIBRATION UNIT off the LOWER FRONT FRAME.

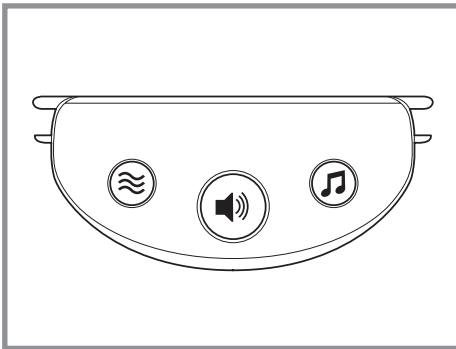


12  
Unscrew BATTERY DOOR on back of UNIT and insert 2 "AA" batteries, in accordance with the +/- polarity shown, and replace BATTERY DOOR and secure with screw.




## Assembly/Operating - Continued



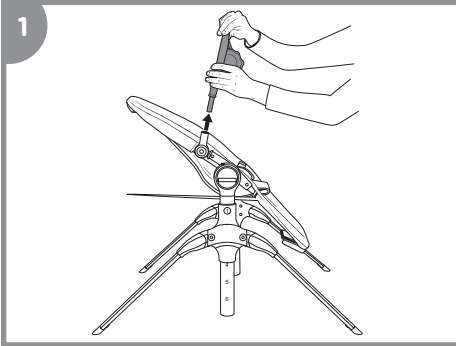
Slide SOUND/VIBRATION back onto LOWER FRONT FRAME.



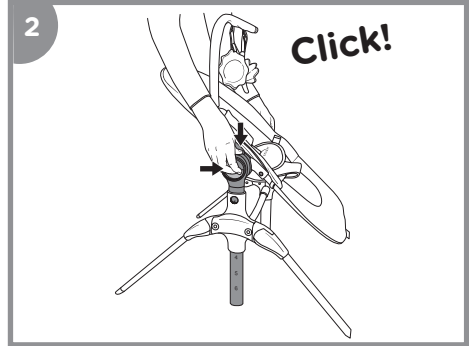
### Functions:

-  There are two vibration levels. Press VIBRATION BUTTON to turn vibration on high and again to change level to low. Press a third time to turn vibration off.
-  There are three volume levels. Press VOLUME BUTTON to adjust high to medium to low.
-  Press MUSIC BUTTON to play music. Press again to turn sound off. Press again to play swooshing womb sound. Press gain to turn sound off. Sounds automatically shut off after five minutes.

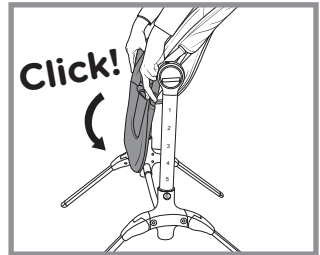
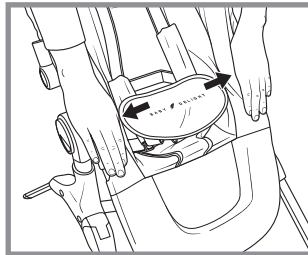
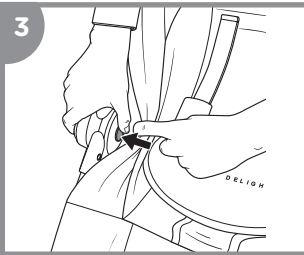
## Folding the Bloom Lounger



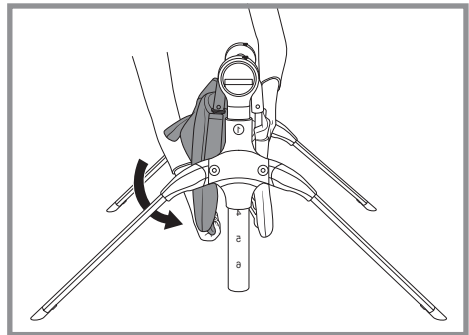
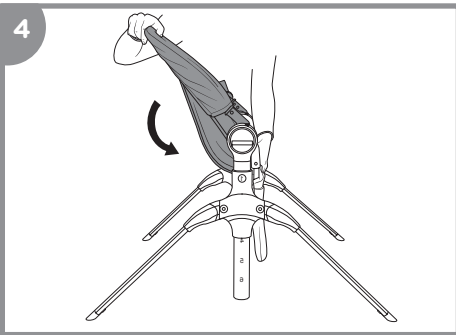
Remove the TOYBAR by lifting it straight up and out of TOYBAR CONNECTER



Squeeze the HEIGHT ADJUSTMENT LEVERS on each side of the FRAME and adjust the BLOOM down until you hear a "click" sound at height #1.

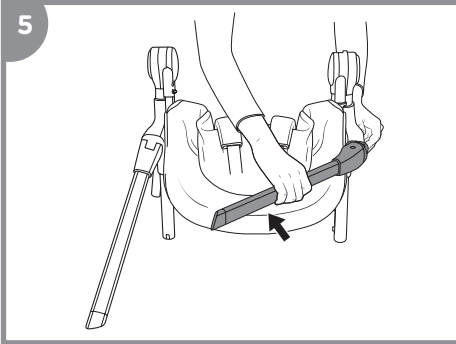


Press **BUTTONS** on the inside of **FRAME KNUCKLES** with thumbs and rotate bottom of **SEAT** down with fingers until it is facing down and you hear a "click" sound.

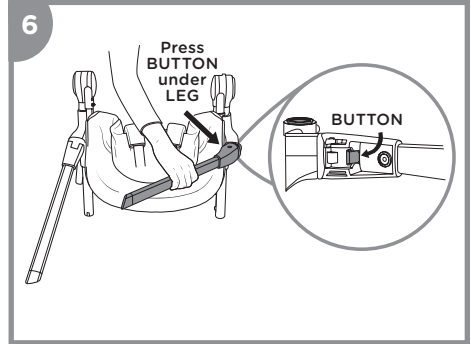


Hold **BOTTOM** of **SEAT** with one hand and pull **SEAT LATCH** and rotate **TOP** of **SEAT** down with the other hand until top **SEAT** is facing down.

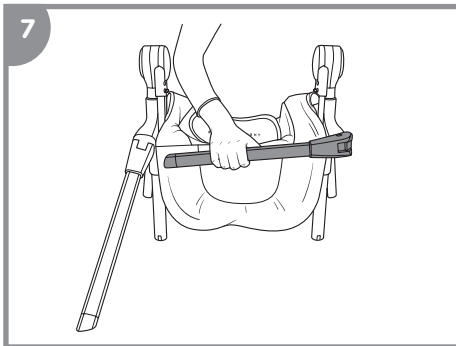
## Folding the Bloom Lounger - Continued



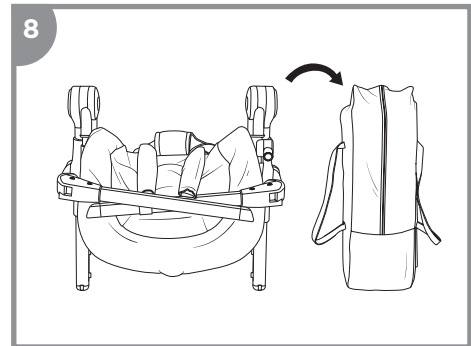
Press **OUTSIDE LEG LOCK BUTTON** on LEG and rotate LEG up.



Press **INSIDE LEG LOCK BUTTON** on the underside of the LEG.



Fold LEG in.  
Repeat for the other three LEGS.



Place **BLOOM** and **TOYBAR** into **TRAVEL BAG**.

## Care & Cleaning

Simply use a mild soap and damp cloth to wipe down the **FRAME** and **SEAT COVER**.

To machine wash the **SEAT COVER**:

Slide sound/vibration unit off the lower frame.

Unzip **SEAT COVER** on the back of the **FRAME** and top and bottom and remove **COVER** and wash on gentle cycle and hang to dry. Replace **COVER** over **FRAME** and zip **COVER** at **TOP** and **BOTTOM** of back of **FRAME**.

This device complies with part 15 of the FCC Rules. Operation is subject to the following two conditions: (1) this device may not cause harmful interference, and (2) this device must accept any interference received, including interference that may cause undesired operation.

**⚠ WARNING!** Changes or modifications to this unit not expressly approved by the party responsible for compliance could void the user's authority to operate the equipment.

**NOTE:** This equipment has been tested and found to comply with the limits for a Class B digital device, pursuant to part 15 of the FCC Rules. These limits are designed to provide reasonable protection against harmful interference in a residential installation. This equipment generates, uses and can radiate radio frequency energy and, if not installed and used in accordance with the instructions, may cause harmful interference to radio communications. However, there is no guarantee that interference will not occur in a particular installation. If this equipment does cause harmful interference to radio or television reception, which can be determined by turning the equipment off and on, the user is encouraged to try to correct the interference by one or more of the following measures:

Reorient or relocate the receiving antenna.

Increase the separation between the equipment and receiver.

Connect the equipment into an outlet on a circuit different from that to which the receiver is connected. Consult the dealer or an experienced radio/TV technician for help.

This Class B digital apparatus complies with Canadian ICES-003.

## Limited Warranty

At Baby Delight, Inc. we make innovative and high quality products for babies, children and their parents. We warrant this product to be free from defects in material and workmanship existing at the time of manufacture for a period of 90-days from the date of initial purchase (sales receipt is required for proof of purchase). If such a defect is discovered during the limited warranty period, we will, at our sole option, repair or replace your product at no cost to you. This limited warranty does not cover claims resulting from misuse, failure to follow the instructions on installation, maintenance and use, abuse, alteration, involvement in an accident, and normal wear and tear.

For warranty service or replacement part information:

USA: Please call 1-401-333-6800, email [consumercare@babydelight.com](mailto:consumercare@babydelight.com), or write to Consumer Services: 30 Martin Street, Suite 3C, Cumberland, RI 02864. Some replacement parts may be available for purchase after this limited warranty expires. Please visit us at [www.babydelight.com](http://www.babydelight.com) or call us at 1-401-333-6800 or details.

BABY  DELIGHT

[www.babydelight.com](http://www.babydelight.com)

© 2021 Baby Delight, Inc. | 30 Martin Street, Suite 3C, Cumberland, RI, 02864, USA  
1-401-333-6800 | [consumercare@babydelight.com](mailto:consumercare@babydelight.com)