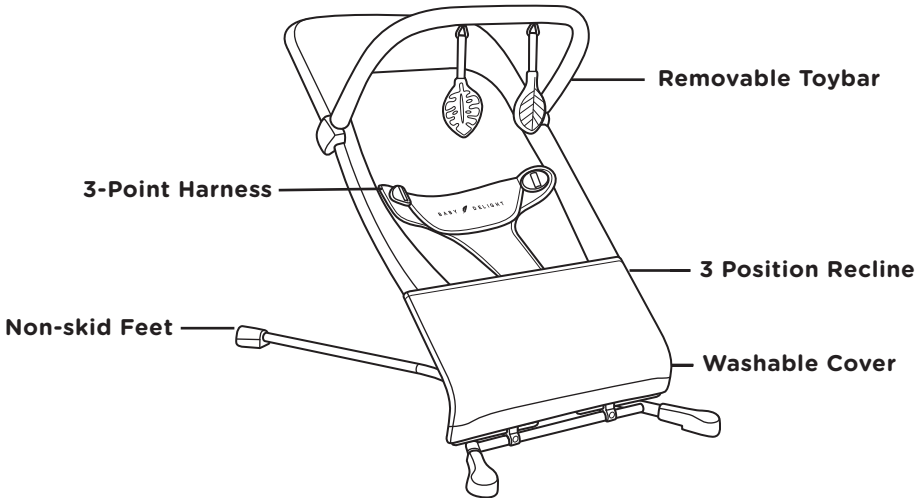


Read all instructions BEFORE assembly and USE of product.  
KEEP INSTRUCTIONS FOR FUTURE USE. Prior to using the product, check that the product and all parts were not damaged during delivery. Use from birth until baby starts trying to sit up or has reached 20 lb (9 kg), whichever comes first.

BABY  DELIGHT®

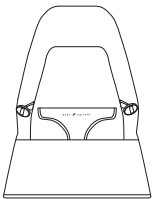
# Alpine Highland Organic

Portable Bouncer



## Care & Instructions

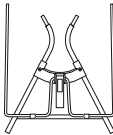
### Contents



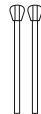
Fabric Cover



Upper Frame



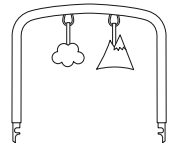
Front Base Frame



Back Base Tubes



Front Feet



Toybar

# ⚠️ WARNING:

**FALL HAZARD:** Babies have suffered skull fractures falling while in and from bouncers.

- Use bouncer **ONLY** on floor.
- **ALWAYS** use restraints. Adjust to fit snugly.
- **NEVER** lift or carry baby in bouncer.

**SUFFOCATION HAZARD:** Babies have suffocated when bouncers tipped over on soft surfaces and/or when bouncers have been used as a sleep product.

- **NEVER** use on a bed, sofa, cushion, or other soft surface.
- Stay near and watch baby during use. This product is not safe for sleep or unsupervised use. If baby falls asleep, remove baby as soon as possible and place baby on a firm, flat sleep surface such as a crib or bassinet.

To prevent **falls** and **suffocation**:

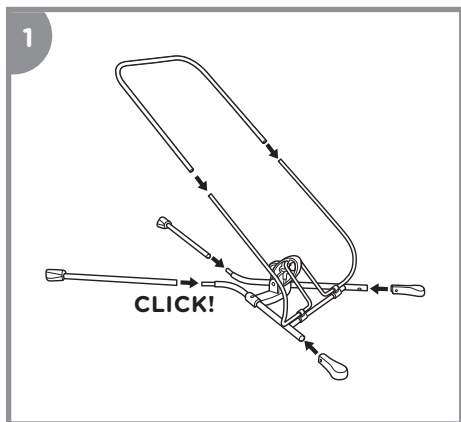
- **ALWAYS** use restraints and adjust to fit snugly.
- **STOP** using bouncer when baby starts trying to sit up or has reached 20 lbs., whichever comes first.

To prevent injury

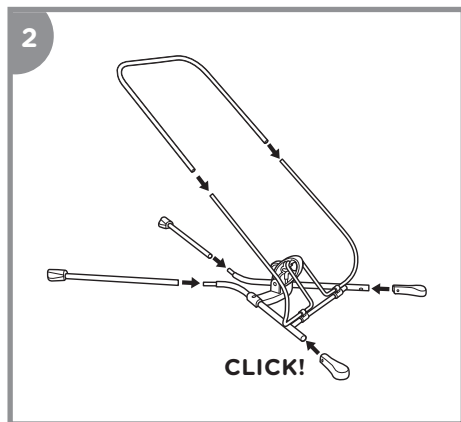
- **NEVER** adjust recline position while baby is in bouncer.
- Always check that recline adjustment is locked **BEFORE** each use.
- Do not use this infant bouncer seat if it is damaged or broken.
- **NEVER** use toy bar as a handle.

## Assembly/Operating

### Assembling the Bouncer



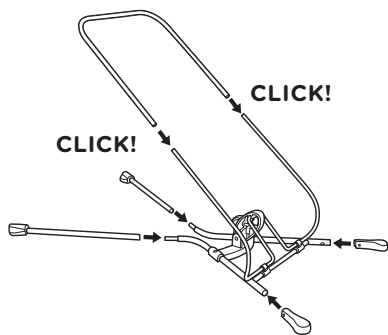
Connect BACK BASE TUBE to FRONT BASE FRAME 2X.



Connect FRONT FOOT to FRONT BASE FRAME 2X.

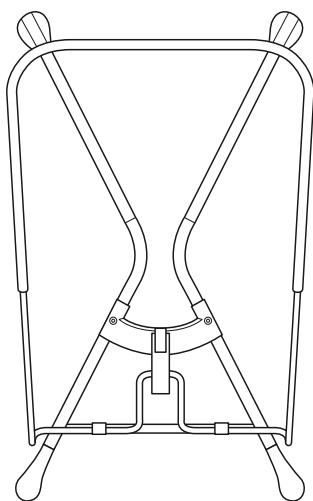
## Assembly/Operating - Continued

3



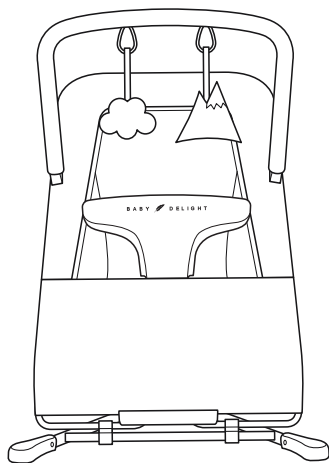
Connect UPPER FRAME to LOWER FRAME.

4



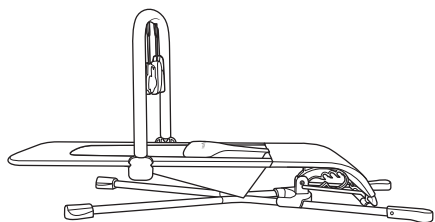
Slide the FABRIC COVER over the FRAME.

5



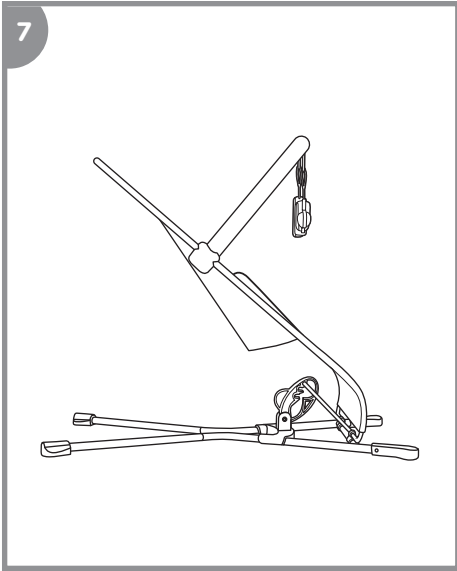
Attach the two black elastic loops on bottom of FABRIC COVER to the chrome STEEL FRAME.

6

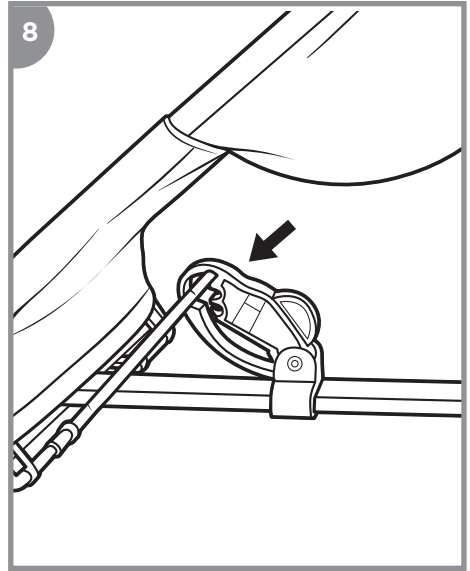


Attach the TOY BAR to the FRAME by pressing clips onto the FRAME.

## Assembly/Operating - Continued

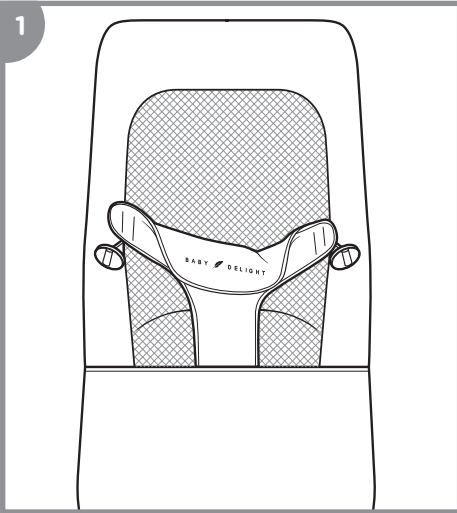


Fold bouncer seat upright.

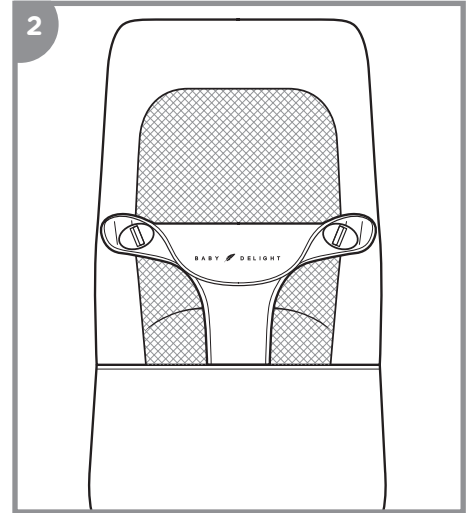


Make sure that the FRAME is securely locked into the RECLINE ADJUSTER. You should hear an audible 'CLICK!'

### Using the 3-point harness:



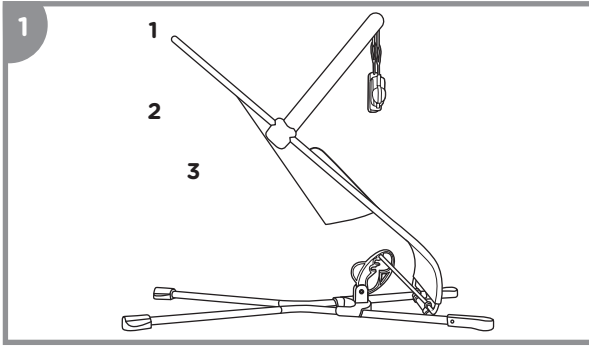
Unbuckle child restraint straps and place child in seat.



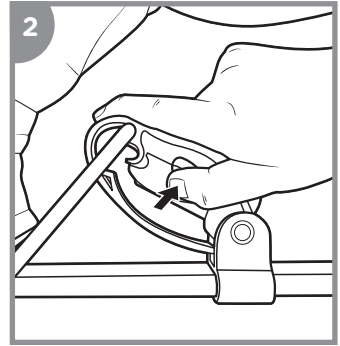
Buckle child into child restraint and secure buckles through either slot on each side (depending on size of child).

# Assembly/Operating - Continued

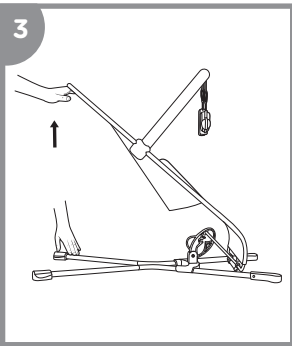
## Reclining the Bouncer:



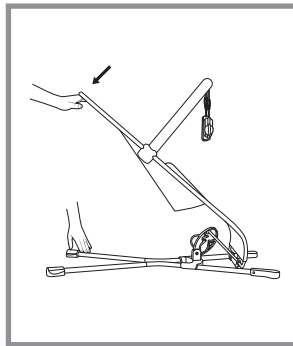
The Bouncer has a 3 position recline. Click the FRAME BACKREST into any of the three positions of the RECLINE ADJUSTER until FRAME snaps into place.



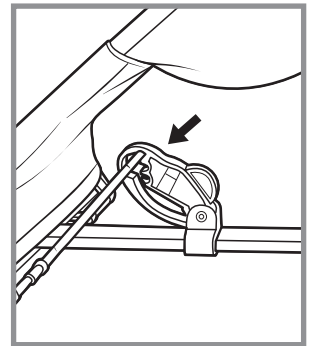
To do this, squeeze the red tab to unlock the RECLINE ADJUSTER.



Push seat back forward.



Pull seat back to desired incline position.



Make sure the RECLINE ADJUSTER is locked into the desired recline spot.

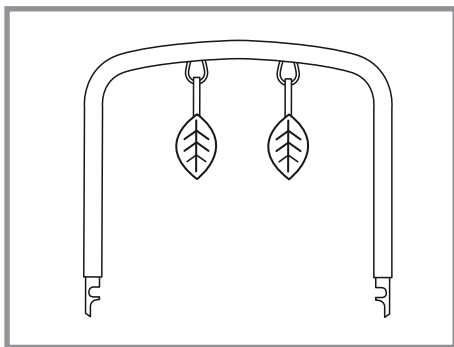
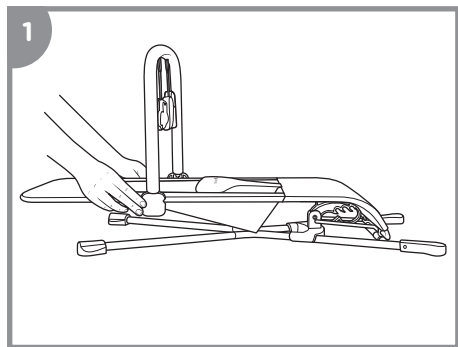
# Assembly/Operating - Continued

## Recommended Positions by Weight:

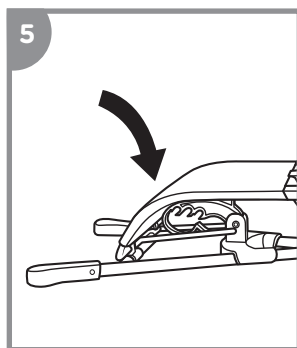
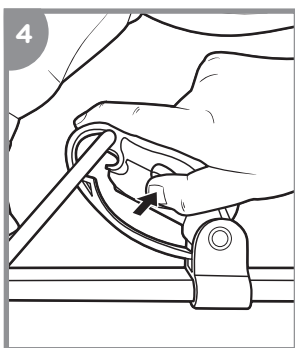
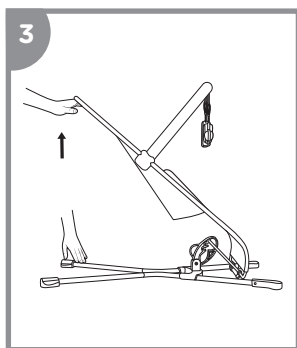
Highest and Middle Position: up to 20lbs

Lowest Position: up to 15lbs

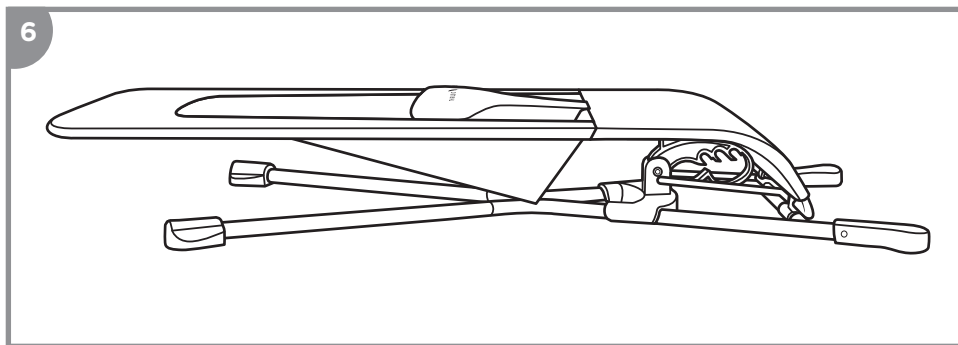
## Folding the Bouncer:



Remove the TOY BAR flexing TOYBAR away from FRAME.



Firmly pull the FRAME out of the RECLINE ADJUSTER by lifting the FRAME with one hand and lift red RECLINE ADJUSTMENT tab up while folding FRAME down flat.



## Care & Cleaning

- Simply use a mild soap and damp cloth to wipe down the FRAME and FABRIC SEAT. To machine wash FABRIC COVER, wash on gentle cycle and hang to dry

## Limited Warranty

At Baby Delight, Inc. we make innovative and high quality products for babies, children and their parents. We warrant this product to be free from defects in material and workmanship for a period of 90-days from the date of initial purchase (sales receipt is required for proof of purchase). If such a defect is discovered during the limited warranty period, we will, at our sole option, repair or replace your product at no cost to you.

This limited warranty does not cover claims resulting from misuse, failure to follow the instructions on installation, maintenance and use, abuse, alteration, involvement in an accident, and normal wear and tear.

For warranty service or replacement part information:

Please call 1-401-333-6800, email [consumercare@babydelight.com](mailto:consumercare@babydelight.com), or write to Consumer Services: 30 Martin Street, Cumberland, RI 02864

Some replacement parts may be available for purchase after this limited warranty expires. Please visit us at [www.babydelight.com](http://www.babydelight.com) or call us at 1-401-333-6800 for details.

B A B Y  D E L I G H T

[www.babydelight.com](http://www.babydelight.com)

©2019 Baby Delight, Inc. 1-401-333-6800 [consumercare@babydelight.com](mailto:consumercare@babydelight.com)

ITEM #: BD05760, BD05761, BD05740 | MADE IN CHINA