

Read all instructions BEFORE assembly and USE of product.
KEEP INSTRUCTIONS FOR FUTURE USE. Do not use this product if it is damaged or broken. Use from birth until baby starts trying to sit up or has reached 30 lb (13.6 kg), whichever comes first.

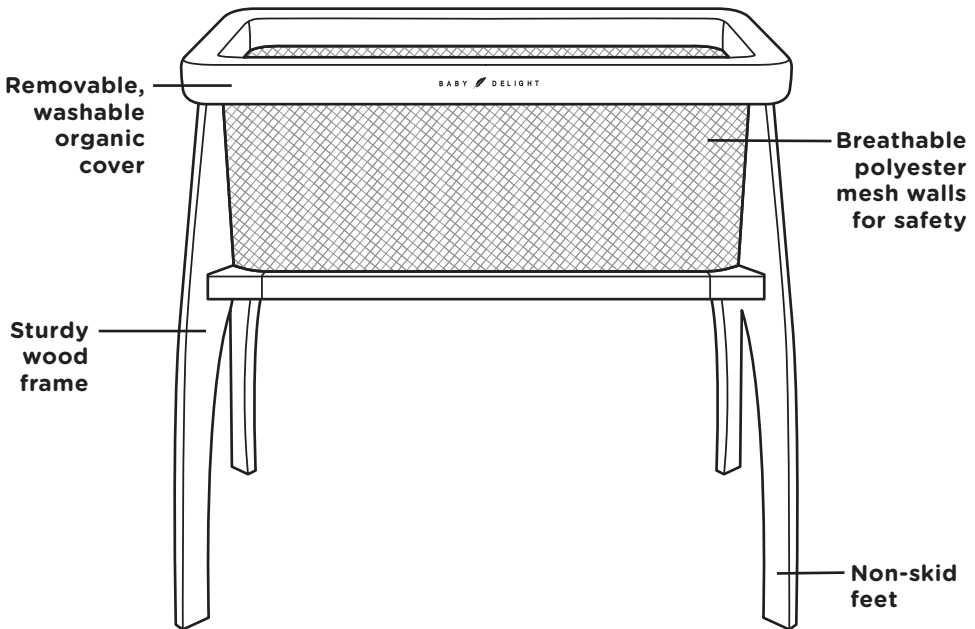
BABY DELIGHT

Heirloom Willow

Wood Bassinet



Please scan
QR code for
website

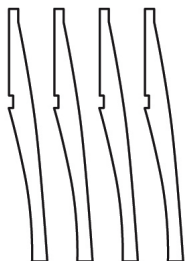


Care & Instructions

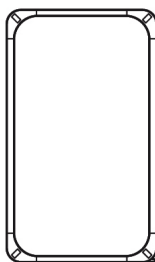
©2023 Baby Delight, Inc. 1-401-333-6800 www.babydelight.com

MADE IN CHINA | BD05670

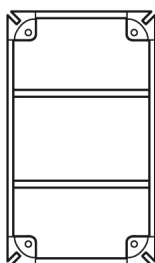
Contents



Legs (4)



Top Ring



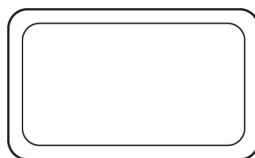
Bottom Ring



8 Screws



Mattress



Fabric cover

Safety Precautions (Continued)

⚠️ WARNING: FAILURE TO FOLLOW THESE WARNINGS AND THE INSTRUCTIONS COULD RESULT IN SERIOUS INJURY OR DEATH. DO NOT USE THIS PRODUCT IF YOU CANNOT EXACTLY FOLLOW THE INSTRUCTIONS THAT COME WITH IT.

FALL HAZARD

- To help prevent falls, do not use this product when the infant begins to push up on hands and knees, can roll over, or has reached 30 lbs., (13.6 kg) whichever comes first.
- NEVER remove the bassinet bed with the infant in it.
- When using the bassinet bed in portable mode, ALWAYS use on a stable floor with the 6 stabilizing legs extended and locked in position.
- Always check that the bassinet is securely locked on the base/stand by pulling upwards on the bassinet bed. Check regularly and BEFORE each use.

SUFFOCATION HAZARD

 Infants have suffocated:

- In gaps between extra padding and side of bassinet, and
- On soft bedding.

Use only the mattress pad provided by Baby Delight, Inc

NEVER add a pillow, comforter, or another mattress for padding.

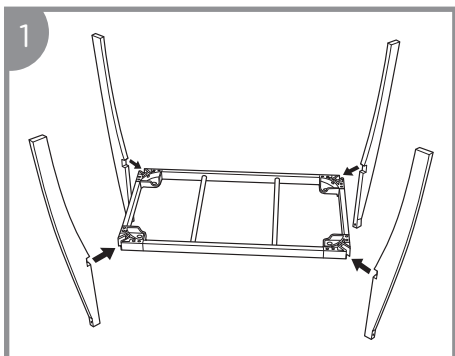
- If a sheet is used with the pad, use only the one provided by Baby Delight or one specifically designed to fit the dimension of the bassinet mattress.
- NEVER use the bassinet bed in portable mode on a bed, sofa, cushion or other soft surface as it can tip over and the infant can suffocate on the soft surface.
- To reduce the risk of SIDS, pediatricians recommend healthy infants be placed on their backs to sleep, unless otherwise advised by your physician.

⚠️ ADDITIONAL WARNINGS:

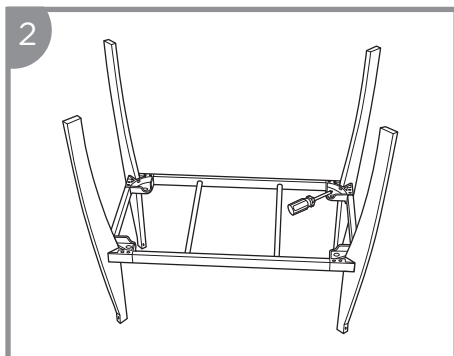
- **STRINGS CAN CAUSE STRANGULATION! DO NOT PLACE ITEMS WITH A STRING AROUND A CHILD'S NECK, SUCH AS HOOD STRINGS OR PACIFIER CORDS. DO NOT SUSPEND STRINGS OVER A BASSINET OR CRADLE OR ATTACH STRINGS TO TOYS.**
- **NEVER PLACE BASSINET NEAR WINDOW BLINDS OR PATIO DOORS WHERE A CHILD COULD REACH THE CORD AND BE STRANGLED.**
- **CHECK THIS BASSINET REGULARLY BEFORE USING IT, AND DO NOT USE IT IF ANY PART IS LOOSE OR MISSING OR IF THERE ARE ANY SIGNS OF DAMAGE. DO NOT SUBSTITUTE PARTS. CONTACT BABY DELIGHT, INC. IF REPLACEMENT PARTS OR ADDITIONAL INSTRUCTIONS ARE NEEDED.**

Assembly/Operating Instructions

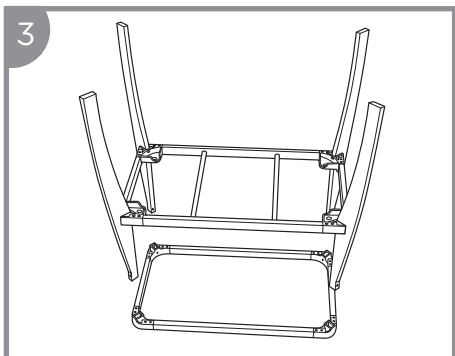
Assembling the BASSINET:



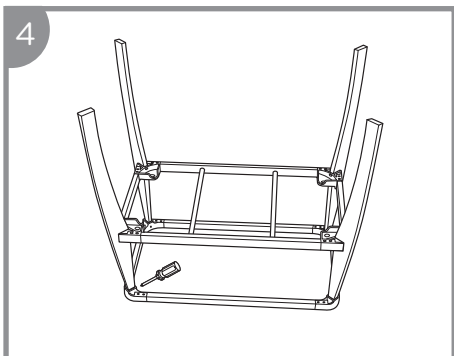
Place the **BOTTOM RING** upside down and attach **4 LEGS**.



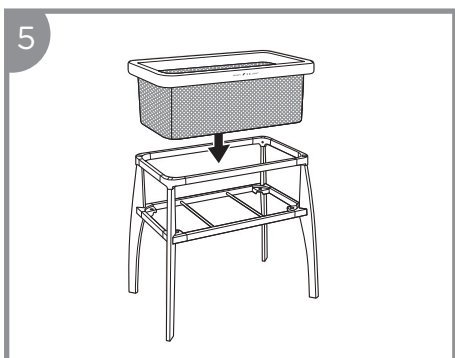
Secure with screws in all four corners.



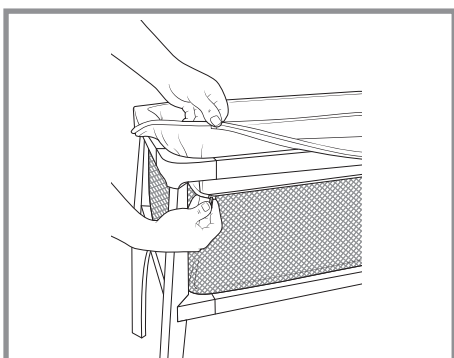
Place **TOP RING** upside down and connect **4 LEGS** into corner plastic in **TOP RING**.

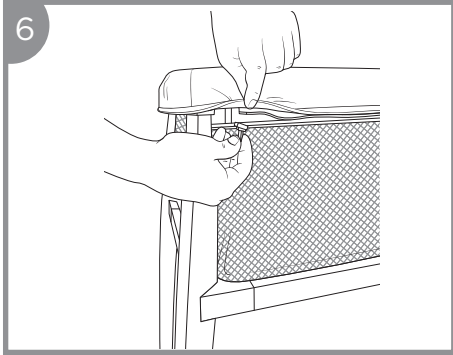


Secure with screws in all four corners.

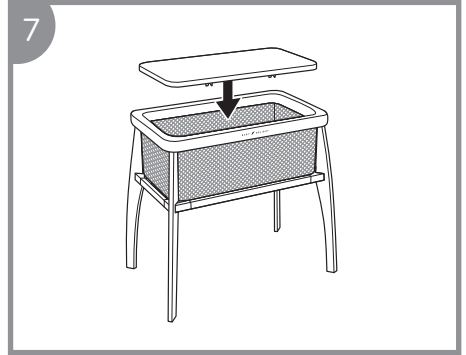


Place **FABRIC COVER** onto **BASSINET** frame

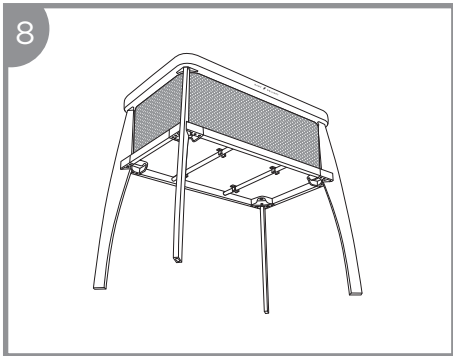




Zipper FABRIC COVER around TOP RING. All 4 sides.



Place MATTRESS into BASSINET until all 4 plastic clips attach to BOTTOM RING.



Ensure PLASTIC CLIPS on bottom of mattress are attached to BOTTOM RING.

Care & Cleaning

Maintenance:

The BASSINET and the MATTRESS have a stain resistant FABRIC COVER which is completely removable and washable. The removal of the FABRIC COVER should be carried out by an adult only. On a regular basis check the condition of the product and presence of any possible damage. In the case of damage do not use and keep it out of the reach of children.

Cleaning:

Do not use solvents, abrasives or aggressive products. After each wash check the resistance of the fabric and the stitching. For washing of the fabric, carefully comply with instructions indicated on the label.

Limited Warranty

At Baby Delight, Inc. we make innovative and high quality products for babies, children and their parents. We warrant this product to be free from defects in material and workmanship existing at the time of manufacture for a period of 90-days from the date of initial purchase (sales receipt is required for proof of purchase). If such a defect is discovered during the limited warranty period, we will, at our sole option, repair or replace your product at no cost to you.

This limited warranty does not cover claims resulting from misuse, failure to follow the instructions on installation, maintenance and use, abuse, alteration, involvement in an accident, and normal wear and tear.

DO NOT use bedside sleeper if any parts are missing, damaged, or broken. Contact for replacement parts and instructional literature if needed. DO NOT substitute parts.

For warranty service or replacement part information:

USA: Please call Customer Service at 1-401-333-6800, email at consumercare@babydelight.com, or mail 30 Martin Street, Suite 3C, Cumberland, RI 02864.

B A B Y  D E L I G H T

www.babydelight.com

©2023 Baby Delight, Inc. 1-401-333-6800 consumercare@babydelight.com

MADE IN CHINA | BD05670