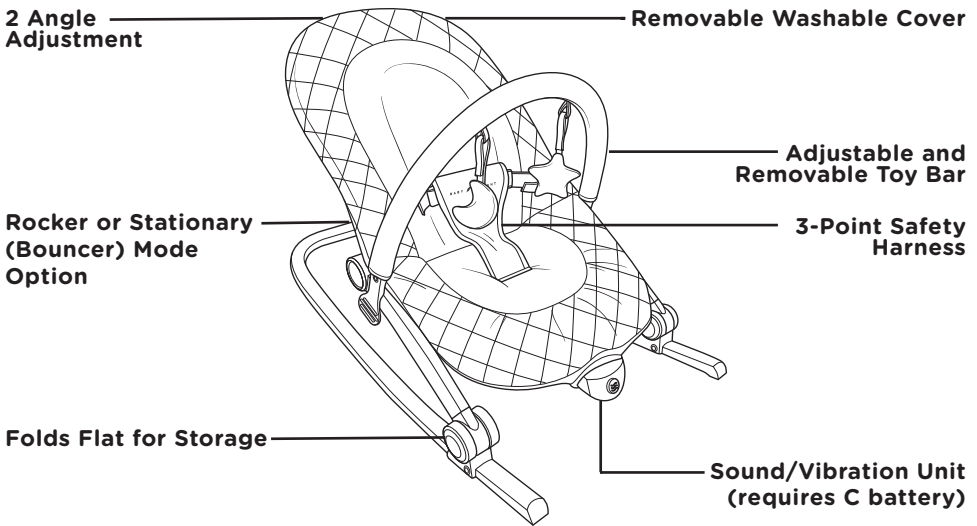


Read all instructions BEFORE assembly and USE of product.  
KEEP INSTRUCTIONS FOR FUTURE USE. Do not use this product if it is  
damaged or broken. Use from birth until baby starts trying to sit up or  
has reached 20 lb (9 kg), whichever comes first.

BABY  DELIGHT®

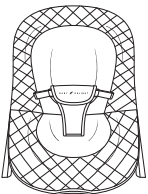
# Go With Me™ Aura

Deluxe Portable Bouncer & Rocker

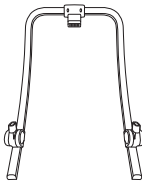


## Care & Instructions

### Contents



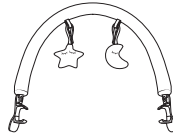
Upper  
Frame



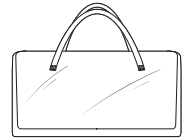
Lower  
Frame



Sound/Vibration  
Unit



Toy Bar



Travel Bag

# **WARNING:**

**Read and follow all warnings and instructions. Failure to do so could result in serious injury or death.**

## **BOUNCER MODE**

**FALL HAZARD:** Babies have suffered skull fractures falling while in and from bouncers.

- Use bouncer **ONLY** on floor.
- **NEVER** lift or carry baby in bouncer.

**SUFFOCATION HAZARD:** Babies have suffocated when bouncers tipped over on soft surfaces.

- **NEVER** use on a bed, sofa, cushion, or other soft surface.
- **NEVER** leave baby unattended.

To prevent **falls** and **suffocation**:

- **ALWAYS** use restraints and adjust to fit snugly, even if baby falls asleep.
- **STOP** using bouncer when baby starts trying to sit up or has reached 20 lbs., whichever comes first.

To prevent injury:

- **NEVER** adjust recline position while baby is in bouncer.
- **ALWAYS** check that recline adjustment is locked **BEFORE** each use.

This product is not intended to replace a crib or bassinet for prolonged periods of sleep.

- Do not use this infant bouncer seat if it is damaged or broken.
- **NEVER** use toy bar as a handle to lift and carry the product

## **ROCKER MODE**

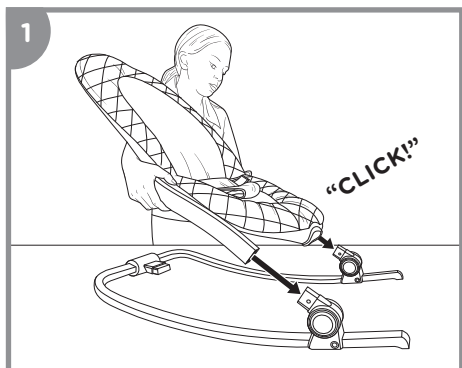
**FALL HAZARD:** Children have suffered head injuries falling from rockers.

- **ALWAYS** use restraints. Adjust to fit snugly.
- **NEVER** lift or carry baby in rocker.
- **STOP** using product when baby has reached 20 lbs.
- The upright position is only for children who have developed enough upper body control to sit up without tipping forward.
- **ALWAYS** place rocker on floor. Never use on any elevated surface.

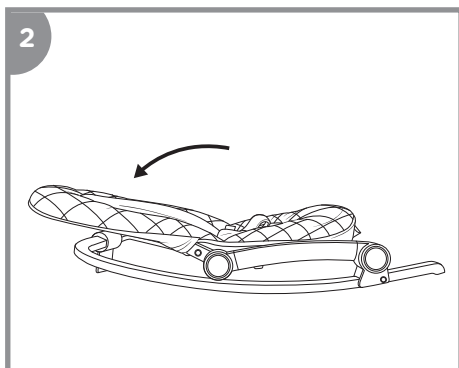
**SUFFOCATION HAZARD:** Babies have suffocated when seats tipped over on soft surfaces.

- **NEVER** use on a bed, sofa, cushion, or other soft surface.
- Stay near and watch child during use. This product is not safe for unsupervised use or unattended sleep.

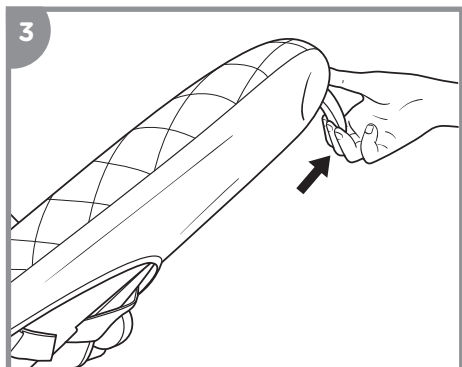
# Assembly/Operating



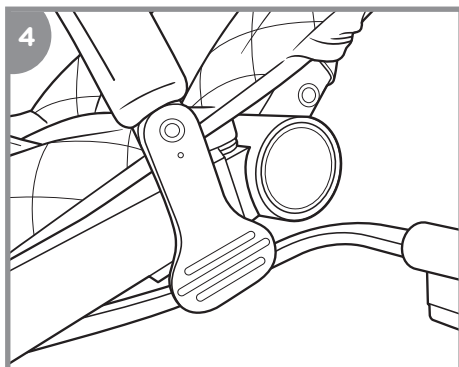
Insert UPPER FRAME into LOWER FRAME until both buttons are engaged and you hear an audible click.



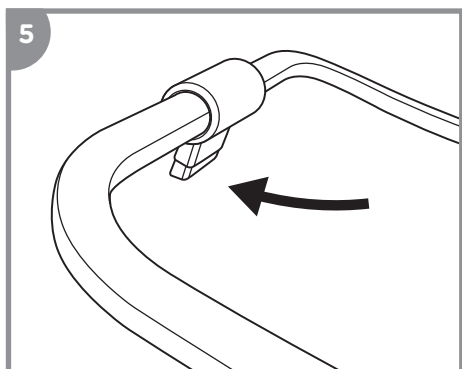
Unfold SEAT upright.



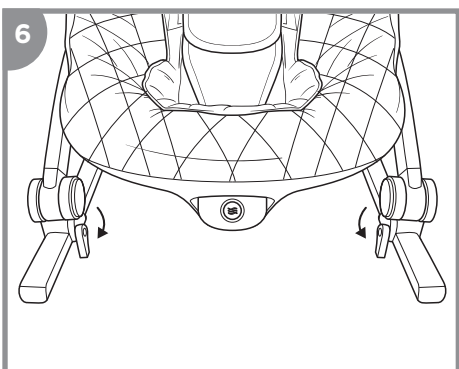
The SEAT has two positions. Rotate UPPER SEAT LEVER outward to change positions. NEVER adjust angle of SEAT with child in the SEAT.



Attach the TOYBAR to the FRAME by pressing CLIPS onto FRAME. The TOYBAR can be adjusted forward or back.



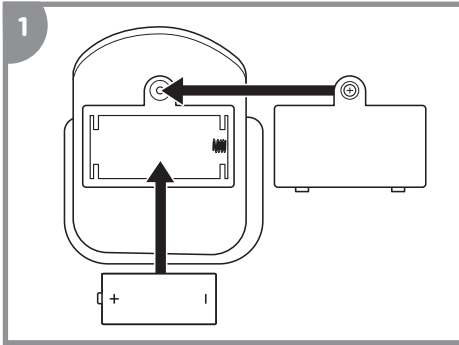
Rotate BACK ROCKER LOCK outward to switch from ROCKER mode to BOUNCER mode.



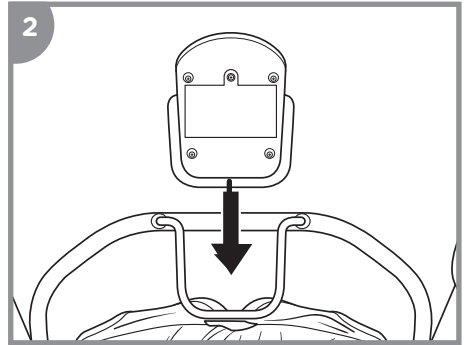
Rotate FRONT ROCKER LOCKS outward to switch from ROCKER mode to BOUNCER mode.

# Assembly/Operating - Continued

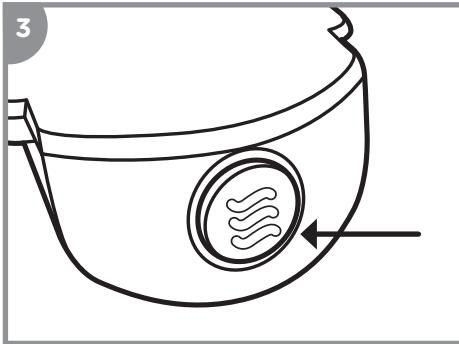
## Sound/Vibration Unit:



Unscrew BATTERY DOOR on back of VIBRATION UNIT and insert 1 "C" battery and replace BATTERY DOOR, with a Phillips head screwdriver, and secure with screw.

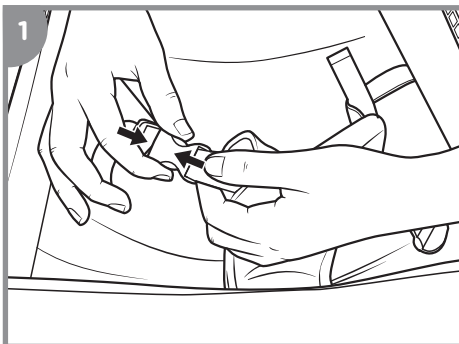


Unzip fabric FABRIC COVER on the bottom on FRAME and slide SOUND/VIBRATION UNIT onto FRAME until tight. Re-zip COVER.

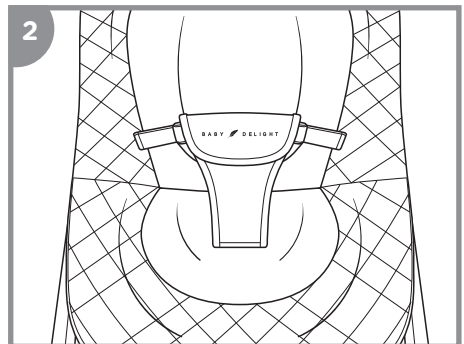


Press button to turn vibration and music on and off. There is a 15 minute auto shut-off.

## Using the 3-point harness:



Unbuckle child RESTRAINT STRAPS and place child in SEAT.



Buckle child into child RESTRAINT and tighten STRAPS for a snug and secure fit.

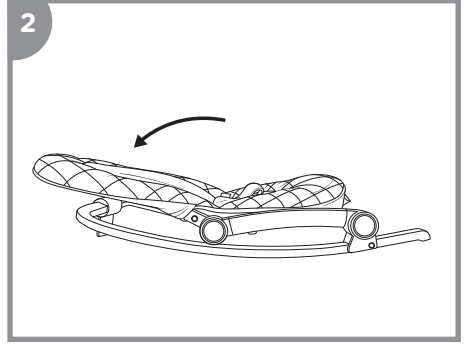
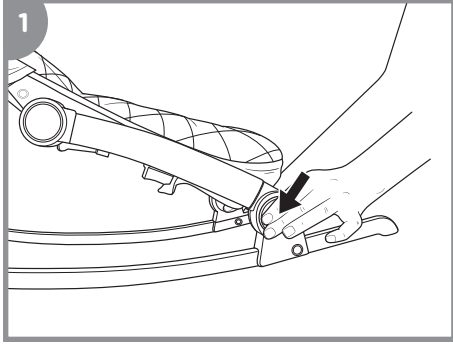
# Assembly/Operating - Continued

## Recommended Positions by Weight:

Highest position: up to 20 lbs.

Lowest position: up to 15 lbs.

## Folding the Bouncer:



To fold the BOUNCER/ROCKER flat, simply press both LOWER FRAME BUTTONS.

## Care & Cleaning

- Simply use a mild soap and damp cloth to wipe down the FRAME and FABRIC COVER. To machine wash the FABRIC COVER, remove the FABRIC COVER. Turn the FRAME over and unzip the FABRIC COVER (near the SOUND/VIBRATION UNIT) and unsnap FABRIC COVER under MIDDLE HINGES and slide FABRIC COVER off FRAME.

## Limited Warranty

At Baby Delight, Inc. we make innovative and high quality products for babies, children and their parents. We warrant this product to be free from defects in material and workmanship for a period of 90-days from the date of initial purchase (sales receipt is required for proof of purchase). If such a defect is discovered during the limited warranty period, we will, at our sole option, repair or replace your product at no cost to you.

This limited warranty does not cover claims resulting from misuse, failure to follow the instructions on installation, maintenance and use, abuse, alteration, involvement in an accident, and normal wear and tear.

For warranty service or replacement part information:

Please call 1-401-333-6800, email [info@babydelight.com](mailto:info@babydelight.com), or write to Consumer Services: 30 Martin Street, Suite 3C, Cumberland, RI 02864

Some replacement parts may be available for purchase after this limited warranty expires. Please visit us at [www.babydelight.com](http://www.babydelight.com) or call us at 1-401-333-6800 for details.



B A B Y  D E L I G H T

[www.babydelight.com](http://www.babydelight.com) ©2020 Baby Delight, Inc. 1-401-333-6800 [info@babydelight.com](mailto:info@babydelight.com)

**BD05490**