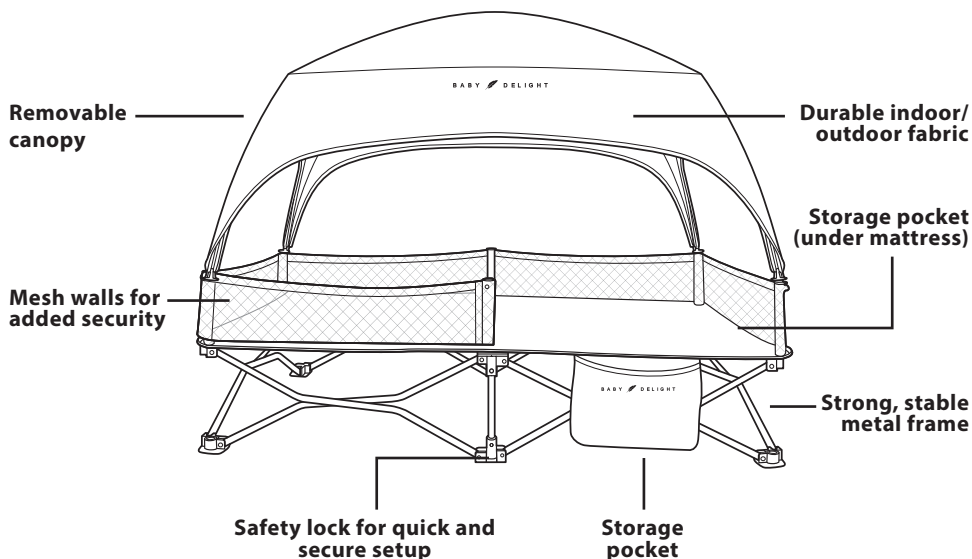


Read all instructions BEFORE assembly and USE of product.  
KEEP INSTRUCTIONS FOR FUTURE USE.

BABY  DELIGHT®

# GoWithMe® Bungalow

Deluxe Portable Toddler Cot

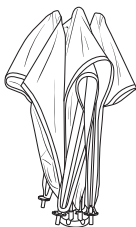


## Care & Instructions

### Contents



Cot



Canopy



Travel Bag

# ⚠️ WARNING:

**FAILURE TO FOLLOW THESE WARNINGS AND THE INSTRUCTIONS COULD RESULT IN SERIOUS INJURY OR DEATH.**

- Only use with a child who can get in and out of the cot/bed unassisted (approximately 15 months)
- STOP using when child exceeds 75 lbs or 50 inches, whichever comes first.
- Prevent injuries to fingers- Keep fingers away from hinges when opening and folding the cot.
- Not intended to be used as a permanent bed.
- Discontinue use if product is damaged or broken.
- Always follow assembly and set up instructions and check that the product and canopy are locked and secure before each use.
- ALWAYS provide the supervision necessary for the continued safety of your child.

# ⚠️ FALL HAZARD:

**PREVENT INJURIES FROM FALLS.**

- NEVER allow child to stand or jump on the cart.

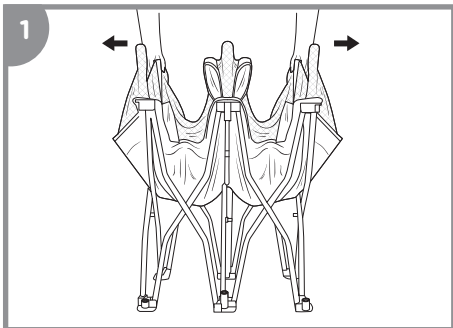
# ⚠️ STRANGULATION HAZARD:

**STRINGS AND CORDS CAN CAUSE STRANGULATION! KEEP STRINGS AND CORDS AWAY FROM CHILD:**

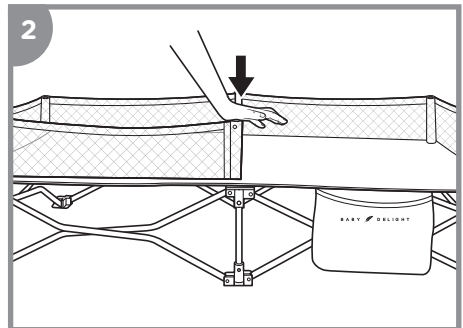
- NEVER place cot near windows where cords from blinds or drapes may entangle a child
- NEVER suspend strings over cot
- NEVER place items with a string, cord or ribbon, such as hood strings or pacifier cords around a child's neck. These items may catch on the cot and canopy structure.

## Assembly/Operating

### Assembling the Cot:



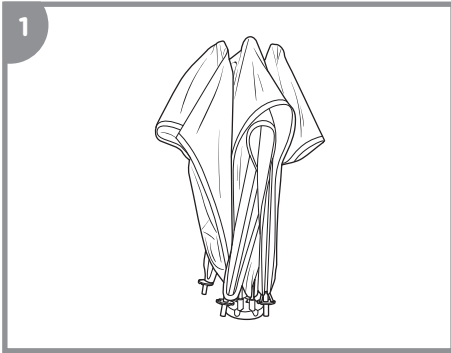
Remove COT from TRAVEL BAG and pull open COT



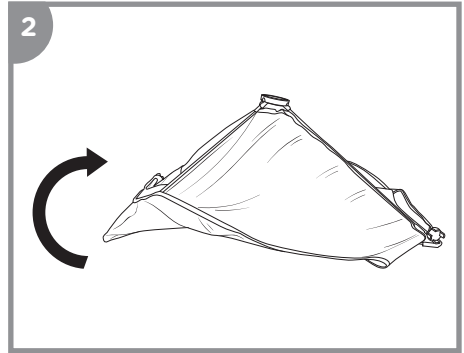
Press down FRONT CENTER POST and push LOCK BUTTON until LOCK BUTTON engages.

# Assembly/Operating Continued

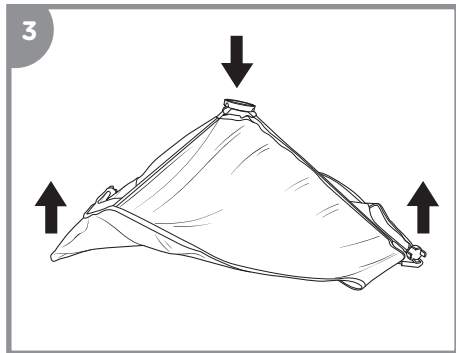
## Attaching the Canopy:



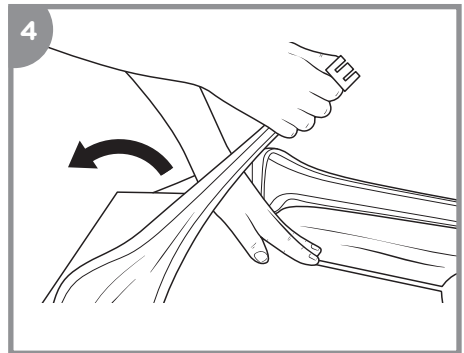
The CANOPY is stored inside out.



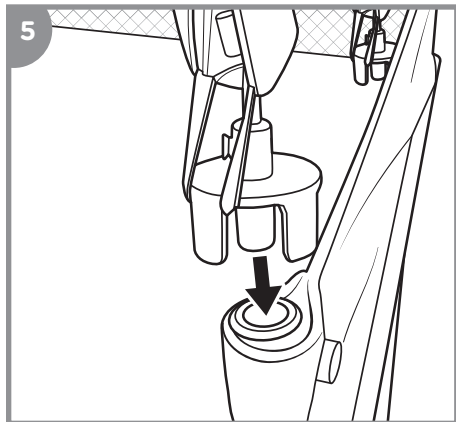
Lay CANOPY on a flat surface with bottom of MIDDLE HINGE facing UP.



Push MIDDLE HINGE down towards the floor and until CANOPY is inverted.



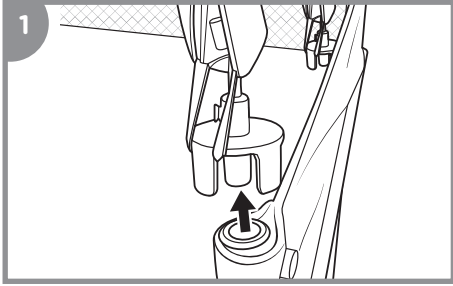
Grab each end of CANOPY ARMS and pull towards you until full extended at each corner.



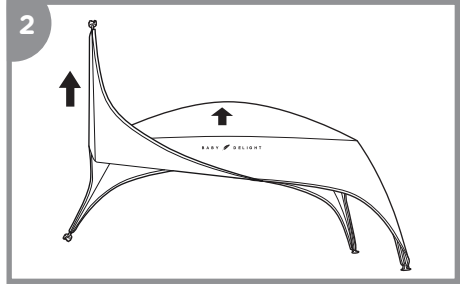
Insert the four CANOPY POSTS into COT FRAME CORNERS making sure the LOGO of the CANOPY is on the same side as the STORAGE POCKET.

# Assembly/Operating Continued

## Removing the Canopy:

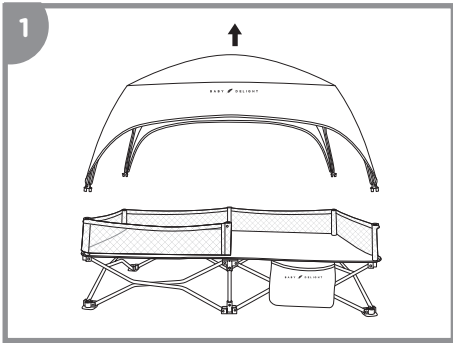


To remove CANOPY, unplug each of the CANOPY POSTS from the COT FRAME CORNERS.

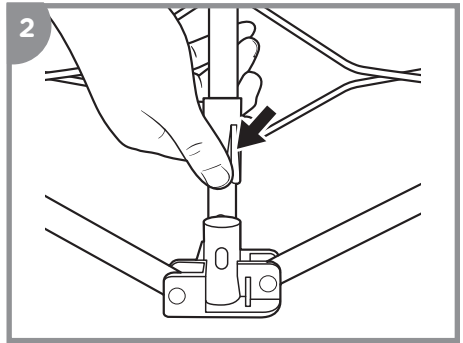


Fold each of the CANOPY ARMS inward until canopy is collapsed. Push MIDDLE HINGE away from you to collapse CANOPY.

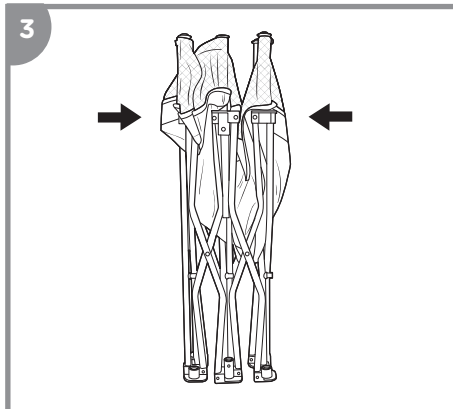
## Folding the Cot:



Remove CANOPY (NOTE: See previous section).



Press LOCK BUTTON on CENTER FRONT POST until LOCK TAB disengages.



Collapse corners of the COT FRAME into each other.

## Care & Cleaning

Simply use a mild soap and damp cloth to wipe down the COT and CANOPY.

## Limited Warranty

At Baby Delight, Inc. we make innovative and high quality products for babies, children and their parents. We warrant this product to be free from defects in material and workmanship existing at the time of manufacture for a period of 90-days from the date of initial purchase (sales receipt is required for proof of purchase). If such a defect is discovered during the limited warranty period, we will, at our sole option, repair or replace your product at no cost to you.

This limited warranty does not cover claims resulting from misuse, failure to follow the instructions on installation, maintenance and use, abuse, alteration, involvement in an accident, and normal wear and tear.

For warranty service or replacement part information:

Please call 1-401-333-6800, email [consumercare@babydelight.com](mailto:consumercare@babydelight.com), or write to Consumer Services: 30 Martin Street, Cumberland, RI 02864

Some replacement parts may be available for purchase after this limited warranty expires. Please visit us at [www.babydelight.com](http://www.babydelight.com) or call us at 1-401-333-6800 for details.





**B A B Y  D E L I G H T™**

**[www.babydelight.com](http://www.babydelight.com)**

©2019 Baby Delight, Inc. 1-401-333-6800 [consumercare@babydelight.com](mailto:consumercare@babydelight.com)  
BD05320, BD06300