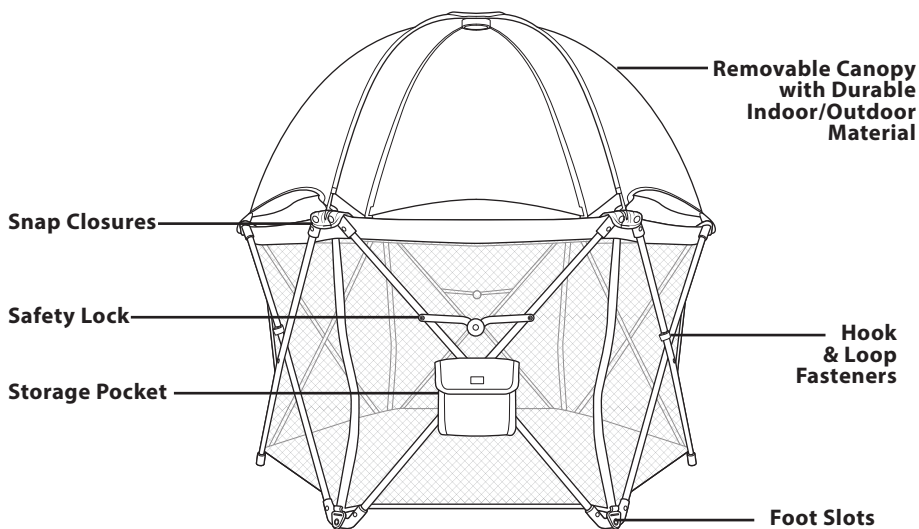


Read all instructions BEFORE assembly and USE of product.
KEEP INSTRUCTIONS FOR FUTURE USE.

BABY  DELIGHT

GoWithMe® Eclipse

Portable Playard with Canopy



Care & Instructions

Contents



Canopy



Playard



Travel Bag

WARNING:

FAILURE TO FOLLOW THESE WARNINGS AND THE INSTRUCTIONS COULD RESULT IN SERIOUS INJURY OR DEATH. PLEASE READ INSTRUCTION MANUAL BEFORE SET-UP. IF YOU MISPLACE YOUR INSTRUCTION MANUAL, NEVER USE THIS PRODUCT. CONTACT BABY DELIGHT, INC. FOR A REPLACEMENT INSTRUCTION MANUAL.

- The playard, including all rails, must be fully erected prior to use.
- Make sure all latches are secure.
- Discontinue use of the product when child is able to climb out or reaches the height of 35 inches (890 mm).
- Child can become entrapped and die when improvised netting or covers are placed on top of playard. Never add such items to confine child in playard.
- When child is able to pull to standing position, remove bumper pads, large toys, and other objects that could serve as steps for climbing out.
- Never place playard near a window where cords from blinds or drapes can strangle a child.
- Always provide the supervision necessary for the continued safety of your child.
- When used for playing, never leave child unattended.
- To reduce the risk of SIDS, pediatricians recommend healthy infants be placed on their back to sleep, unless otherwise advised by your physician.
- Never use this product if there are any loose or missing fasteners, loose joints, broken parts, or torn mesh/fabric. Check before assembly and periodically during use. Contact Baby Delight, Inc. for replacement parts. Never substitute parts.
- Never use plastic shipping bags or plastic film. They can cause suffocation.
- Never use a water mattress with this product.

SUFFOCATION HAZARD:

INFANTS CAN SUFFOCATE:

- In the gaps between an extra pad and side of the playard.
- In gaps between a mattress too small or too thick and product sides.
- On soft bedding.
- NEVER add a mattress, pillow, comforter or pad/padding.

STRANGULATION HAZARD:

STRINGS AND CORDS CAN CAUSE STRANGULATION! KEEP STRINGS AND CORDS AWAY FROM CHILD:

- NEVER place the playard near a window where cords from blinds or drapes can strangle a child.
- NEVER hang strings on or over the playard.
- NEVER place items with a string around a child's neck, such as hood strings, pacifier cords, etc.
- NEVER attach strings to toys.

PLAYARD SET-UP:

- Keep fingers clear of folding mechanism during folding and unfolding.

⚠ PLAYARD SET-UP - CONT.:

- Keep all children away from the playard during assembly and take down (sides not fully expanded).
- ALWAYS set up playard on a flat, level surface. Check floor/ground surface underneath playard floor to assure that it is clear of any objects that may injure your child. Insure surface is suitable for your child to play on.

Conforms to ASTM F 406 Standard Consumer Safety Specification for Playards.

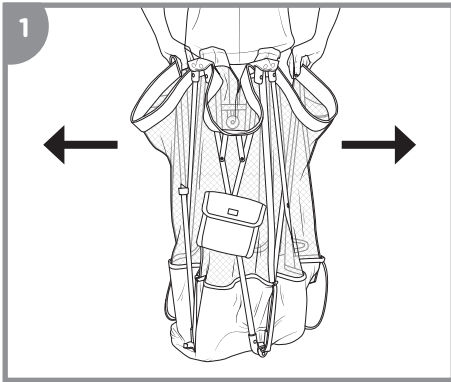
⚠ CAUTION: KEEP SMALL PARTS OUT OF CHILD'S REACH.

IMPORTANT - READ THE INSTRUCTIONS CAREFULLY BEFORE USE AND KEEP THEM FOR FUTURE REFERENCE.

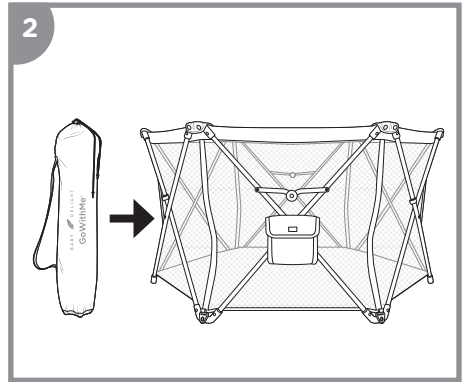
⚠ WARNING: Avoid Entanglement, Entrapment & Suffocation Hazards

- Read ALL warnings on the playard and in the instructions prior to canopy setup and use.
- The canopy including all clips, must be properly assembled PRIOR to use.
- Make sure that all clips are firmly locked onto the frame and latches of playard are secure.
- DISCONTINUE use if child can remove or disassemble canopy or canopy components.
- Never use this playard if there are any loose or missing fasteners, loose joints, broken parts, or torn mesh/fabric.
- Check canopy for proper assembly periodically during use and between each use.
- This canopy is to be used as a sun shade only. It is not a rain shield and should only be used when weather conditions are such that the canopy can safely remain attached. Do not use if high winds are present or the threat of high winds exist.
- NEVER use the canopy as a structure to attach or support other objects or items.
- When not in use, canopy should be stored out of children's reach in a dry location.
- DO NOT attempt to attach the canopy to anything other than the product with which it is sold, or recommended by the manufacturer.

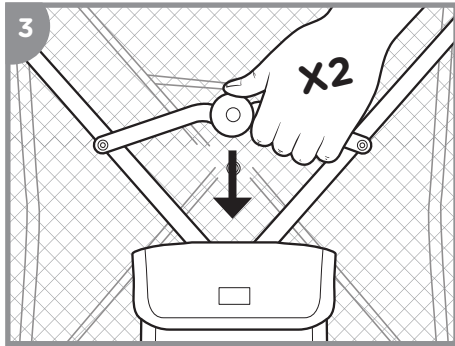
Assembly/Operating Instructions



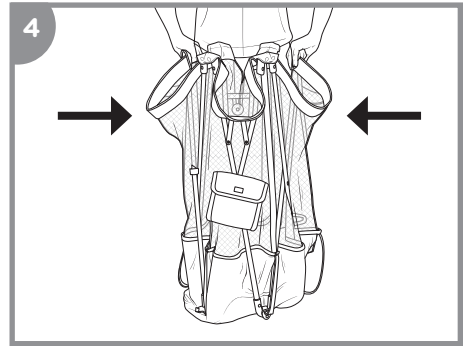
Remove Playard from Travel Bag and pull open Playard.



Place Travel Bag & Instructions in Storage Pockets.

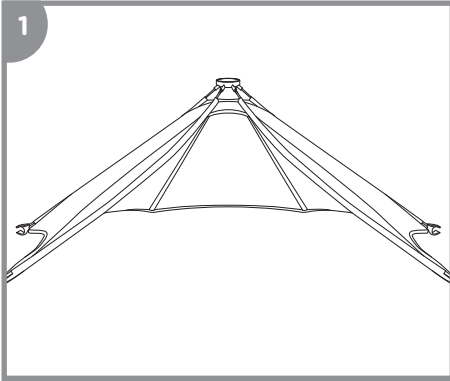


Press down Safety Lock in **TWO** locations until secure.

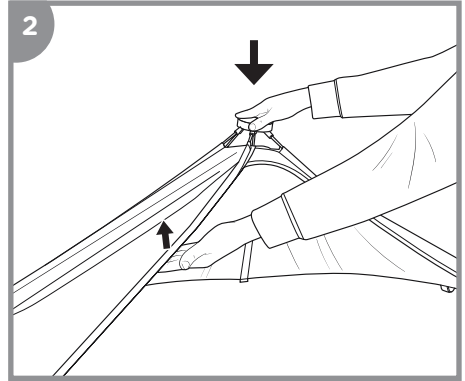


To fold up, lift Safety Locks up and collapse sides into each other. Store in Travel Bag.

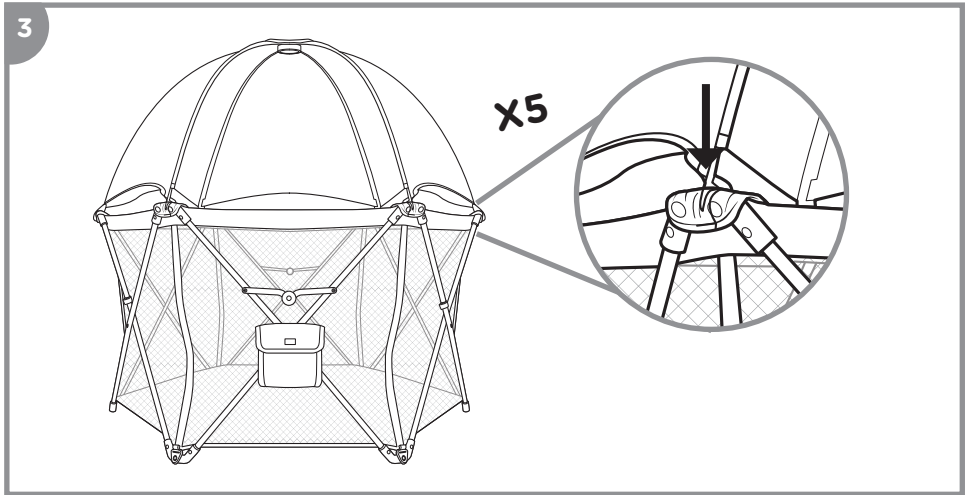
Attaching the Canopy



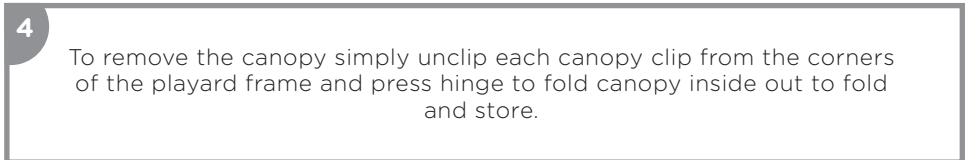
The canopy is stored inside out. Open canopy so top canopy hinge is facing up.



Press hinge down with one hand while lifting up side until it is right side out.



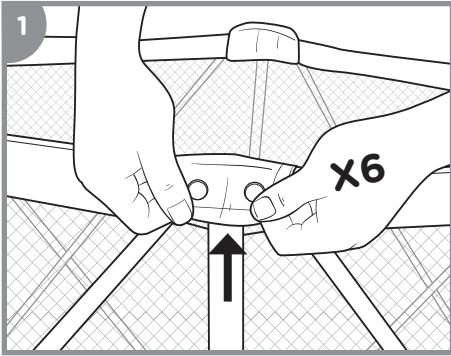
Attach five canopy clips to the five corners of the playard frame.



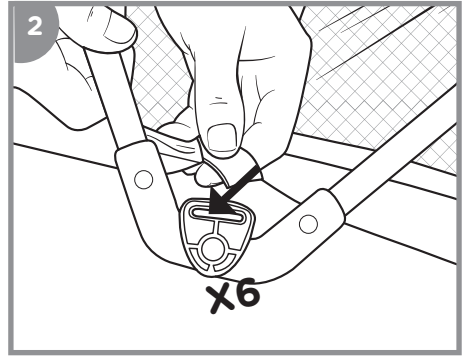
To remove the canopy simply unclip each canopy clip from the corners of the playard frame and press hinge to fold canopy inside out to fold and store.

Care & Cleaning

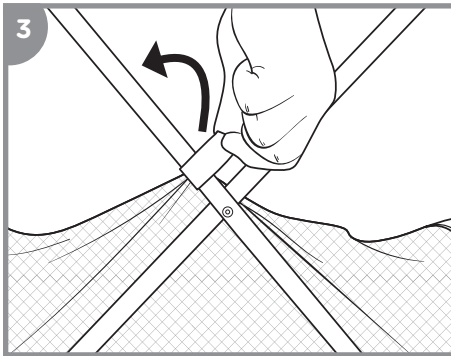
Wipe surface with a damp cloth using mild detergents and warm water to clean. Wipe with a towel or air dry.



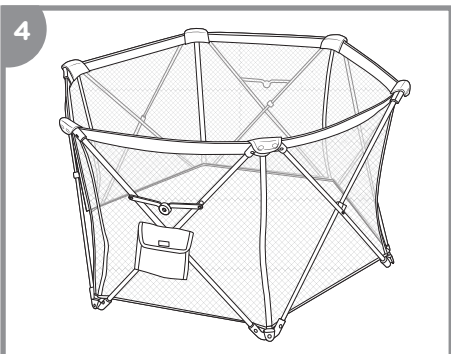
The cover of the Playard is also removable and machine washable. Unsnap the top Snap Closures in 6 places.



Slide the 6 Nylon Loops on the Playard Cover through the Foot Slots.



Unfasten the 6 Hook and Loop Fasteners from around the center of each frame to finish removing the entire cover.



Washing

Use a mild soap, machine wash on the gentle cycle, and hang to dry.

Do not use solvents, abrasives or aggressive products.

After each wash, check the resistance of the fabric and the stitching.

Reassembly

To re-assemble the Cover, re-snap the 6 Snap Closures, re-secure Hook and Loop fasteners around the crossbars and feed Nylon Fabric Loops through the 6 Foot Slots in the feet.

Limited Warranty

At Baby Delight, Inc. we make innovative and high quality products for babies, children and their parents. We warrant this product to be free from defects in material and workmanship existing at the time of manufacture for a period of 90-days from the date of initial purchase (sales receipt is required for proof of purchase). If such a defect is discovered during the limited warranty period, we will, at our sole option, repair or replace your product at no cost to you.

This limited warranty does not cover claims resulting from misuse, failure to follow the instructions on installation, maintenance and use, abuse, alteration, involvement in an accident, and normal wear and tear.

For warranty service or replacement part information:

Please call 1-401-333-6800, email info@babydelight.com, or write to Baby Delight Consumer Services: 30 Martin Street, Suite 3C, Cumberland, RI 02864.

Some replacement parts may be available for purchase after this limited warranty expires. Please visit us at www.babydelight.com or call us at 1-401-333-6800 for details.

B A B Y  D E L I G H T

www.babydelight.com

©2018 Baby Delight, Inc.

1-401-333-6800

info@babydelight.com

BD05240