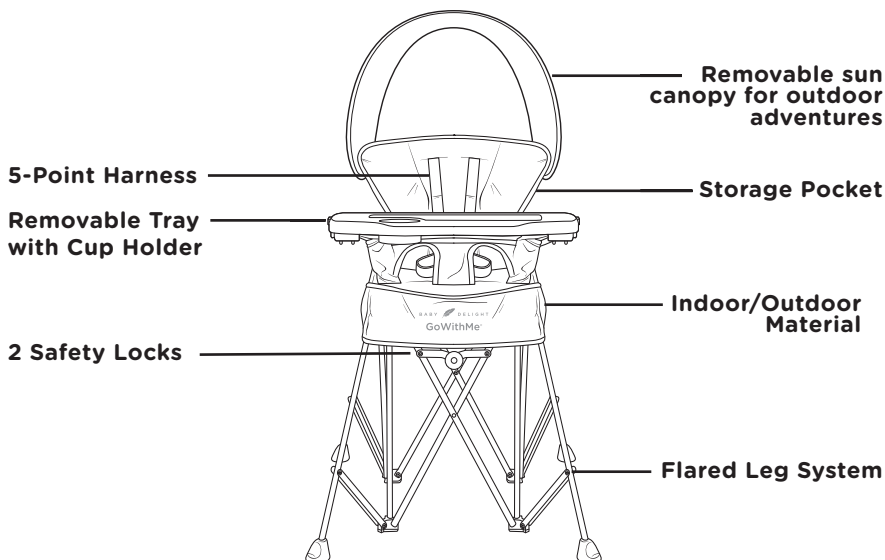


Read all instructions BEFORE assembly and USE of product. KEEP INSTRUCTIONS FOR FUTURE USE.

BABY  DELIGHT®

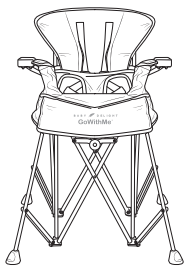
# GoWithMe® Uplift

Deluxe Portable High Chair with Canopy



## Care & Instructions

### Contents



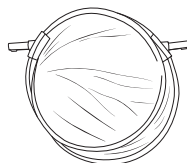
High Chair



Travel Bag



Tray



Canopy

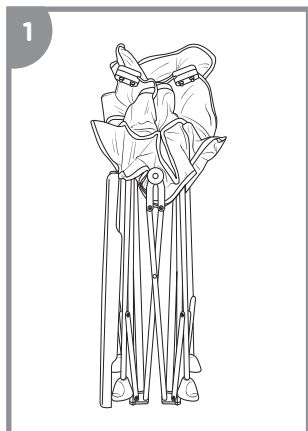
# **⚠ WARNING: IMPORTANT! KEEP FOR FUTURE REFERENCE!**

**FALL HAZARD:** Children have suffered severe head injuries including skull fractures when falling from HIGH CHAIRS. Falls can happen suddenly if child is not restrained properly.

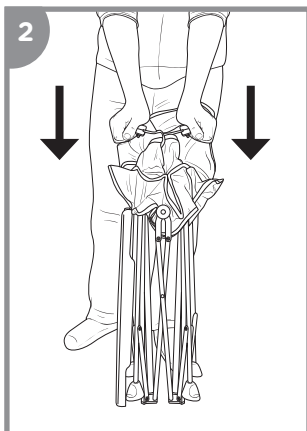
- Always use RESTRAINTS, and adjust to fit snugly.
- TRAY is not designed to hold child in CHAIR.
- Stay near and watch your child during use.
- The child should be secured in the HIGH CHAIR at all times by the restraining system.
- It is recommended that the HIGH CHAIR be used only by children capable of sitting upright unassisted.
- Check front and rear LATCHES to assure that they are locked before each use.
- Keep children's fingers away from HINGES when opening and closing the HIGHCHAIR.
- **NEVER** leave child unattended.
- **NEVER** place HIGHCHAIR near space heaters, camp fires or other heat sources.
- **NEVER** lift and/or carry HIGHCHAIR with child in it.
- **ALWAYS** use on a flat, level surface.
- **NEVER** use for a child who exceeds 3 years of age or 50 lbs.

## Assembly/Operating

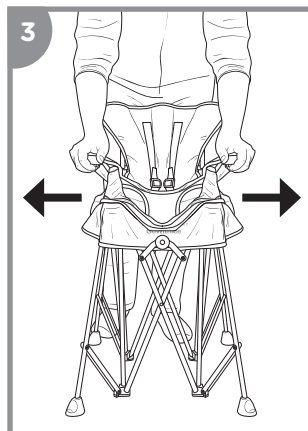
### Assembling the HIGH CHAIR:



1 Remove HIGH CHAIR from BAG.

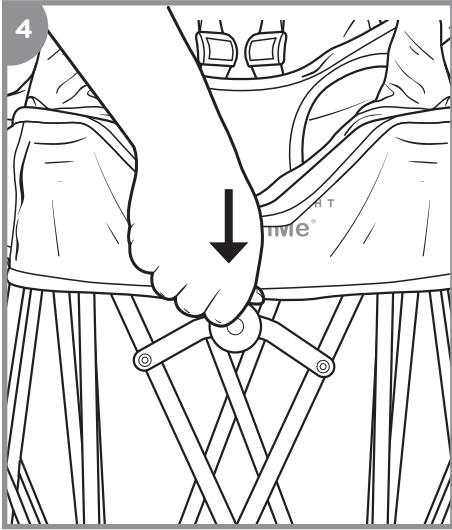


2 Push down on ARMS to open.



3 Push down until the CHAIR is open fully.

## Assembly/Operating - Continued

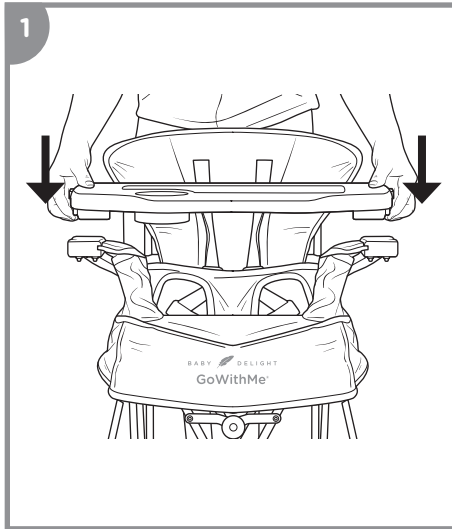


Push SAFETY LOCK down on back and front of CHAIR into place.

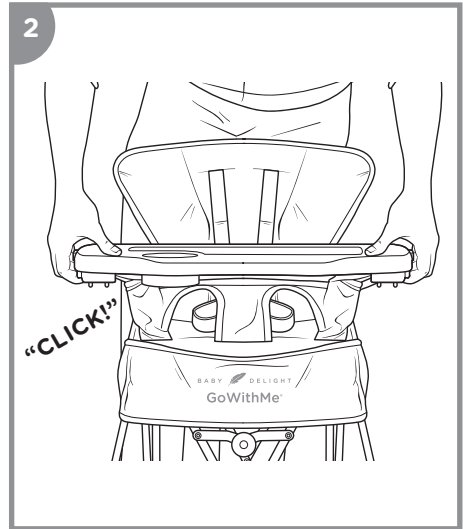


Unlatch BUCKLES of 5-POINT HARNESS. Place baby's legs into the LEG HOLES and buckle the 5-POINT HARNESS.

### Attaching the Tray:

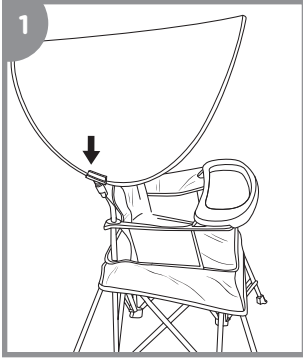


Press the TRAY down until TABS lock in place.

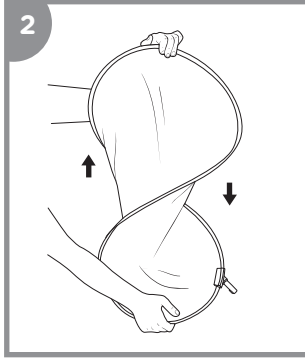


You should hear an audible "click".

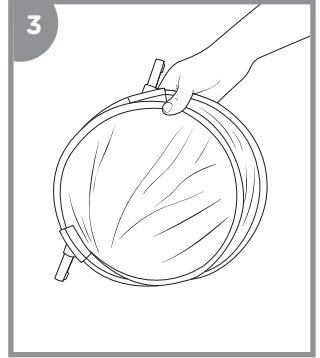
## Attaching & Folding the Canopy



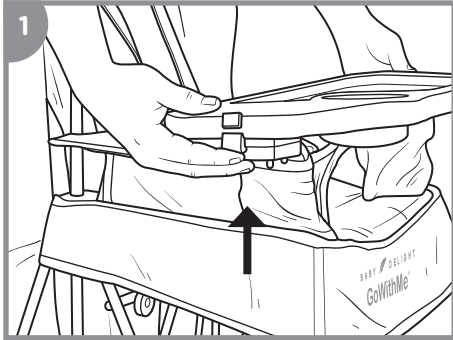
With Baby Delight logo facing forward, plug CANOPY ARMS into the SEAT PLUG on both sides of the SEAT BACK.



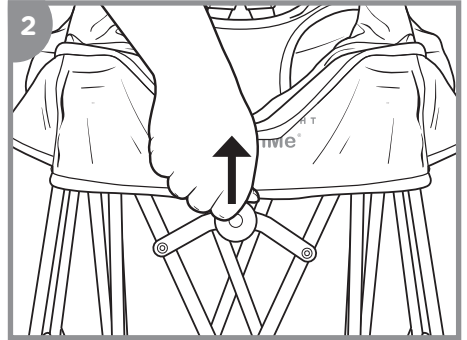
To remove, unplug CANOPY ARMS. Take hold of each end, twist CANOPY in half, and bring ends together to form a circle to store.



### Closing the high chair:

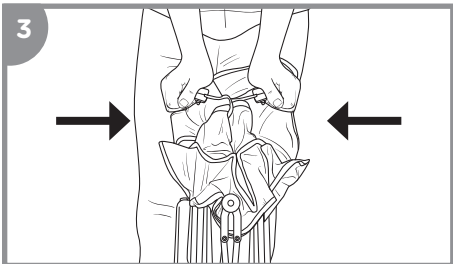


To remove TRAY, pull SIDE TABS and lift straight up.

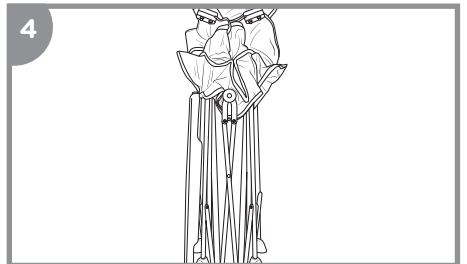


Pull up on SAFETY LOCK on back and front of CHAIR.

## Assembly/Operating - Continued



Push the FRAME of the CHAIR inward.



HIGH CHAIR and TRAY are now disassembled.

## Care & Cleaning

Caring for your new GoWithMe® Uplift high chair is very easy.

- Simply use a mild soap and damp cloth to wipe down the chair. You may also rinse off the chair outside with a garden hose and allow to air dry.
- The tray may be rinsed off in the sink and dried prior to use.
- Do not allow the chair to remain outside and exposed to the elements of the sun, wind, and rain for long periods of time.
- Do not fold up a damp chair or put the chair back into the bag until it is completely dry.

## Limited Warranty

At Baby Delight, Inc. we make innovative and high quality products for babies, children and their parents. We warrant this product to be free from defects in material and workmanship existing at the time of manufacture for a period of 90-days from the date of initial purchase (sales receipt is required for proof of purchase). If such a defect is discovered during the limited warranty period, we will, at our sole option, repair or replace your product at no cost to you.

This limited warranty does not cover claims resulting from misuse, failure to follow the instructions on installation, maintenance and use, abuse, alteration, involvement in an accident, and normal wear and tear.

For warranty service or replacement part information:

Please call 1-401-333-6800, email [info@babydelight.com](mailto:info@babydelight.com), or write to Consumer Services: 30 Martin Street, Cumberland, RI 02864

Some replacement parts may be available for purchase after this limited warranty expires. Please visit us at [www.babydelight.com](http://www.babydelight.com) or call us at 1-401-333-6800 for details.





