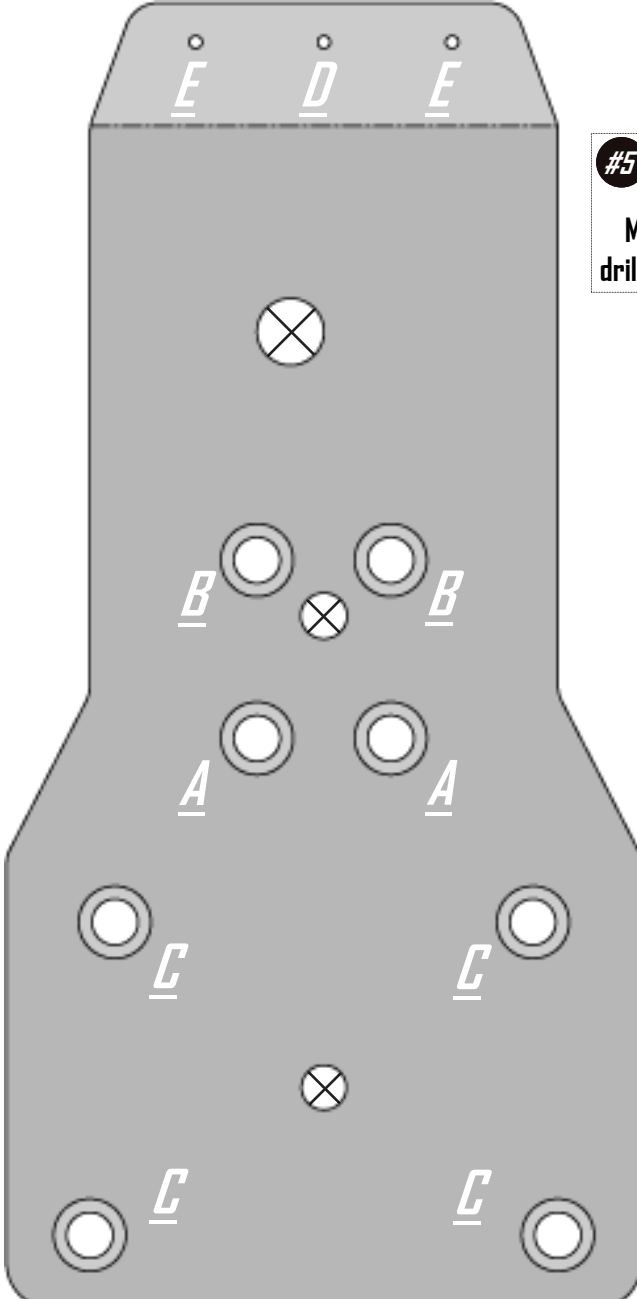
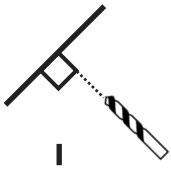


Polaris RZR Pro XP (2020+) Standalone Front Diff skid

Required for installation:
 1 x: 1/4" x 20 Tap
Required
 1 x: 13/64th Drill bit
 Car Jack & Wood Block

- #1** Using 2 stock holes as a guide. Drill smaller 13/64th hole in backing plate for A locations.
 Install: (2x) 1/4"-20 x 1" Self Taping Bolts in A locations, fasten bolts loosely for adjustments.
- #2** With skid plate in place and centered: use B and C holes as a guide to mark remaining locations.
 Drill a 13/64th hole for self taping bolts, use of a 1/4"-20 tap is required to thread thicker metal.
- #3** Install: (2x) 1/4"-20 x 1/2" Self Taping Bolts in B locations, fasten bolts loosely for adjustments.
 Install: (4x) 1/4"-20 x 3/4" Self Taping Bolts in C locations, fasten bolts loosely for adjustments.
- #4** Once all A, B, C Bolts are installed, and skid is centered, fasten all A, B, C Bolts securely.

#5 D and E locations: Use a car jack and/or block to firmly bend diff skid up in to place, flush with plate below the tow hook. You may need to loosen front Torx bolts as skid plate lip sit's behind plastic fascia "tips" - Ensure to fasten after. Mark D and E locations, Drill perpendicular to metal plate, and tap 13/64th holes. -----
 In drilling locations you may need to remove skid plate, drill, and re install skid plate, or bend skid down for clearance.
 Install: (1x) 1/4"-20 x 3/4" Counter Sunk Bolts in D location, & (2x) 1/4"-20 x 1 3/4" Counter Sunk Bolts in E locations.
 Ensure all bolts are fastened securely * (Use of thread locking compound is recommended)



#5 Fasten bolts until flush DO NOT over tighten

#5 Use car jack to firmly bend front plastic up to mounting locations. May need to mark then, remove skid, drill holes, and re-install skid securely.

#1 A locations:
 Use larger stock hole as guide
 To drill mounting hole in back plate

○ = locations require drilling

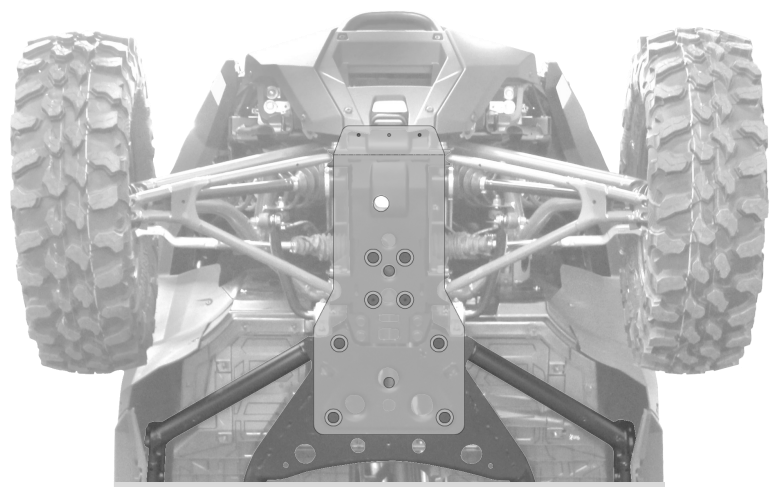
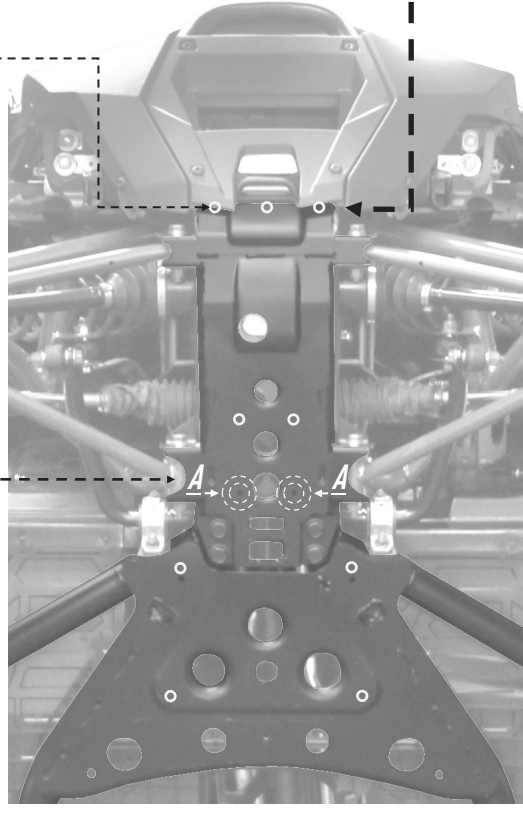
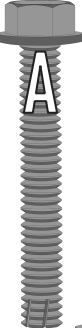
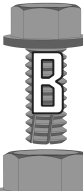


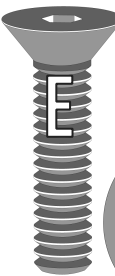
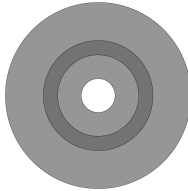


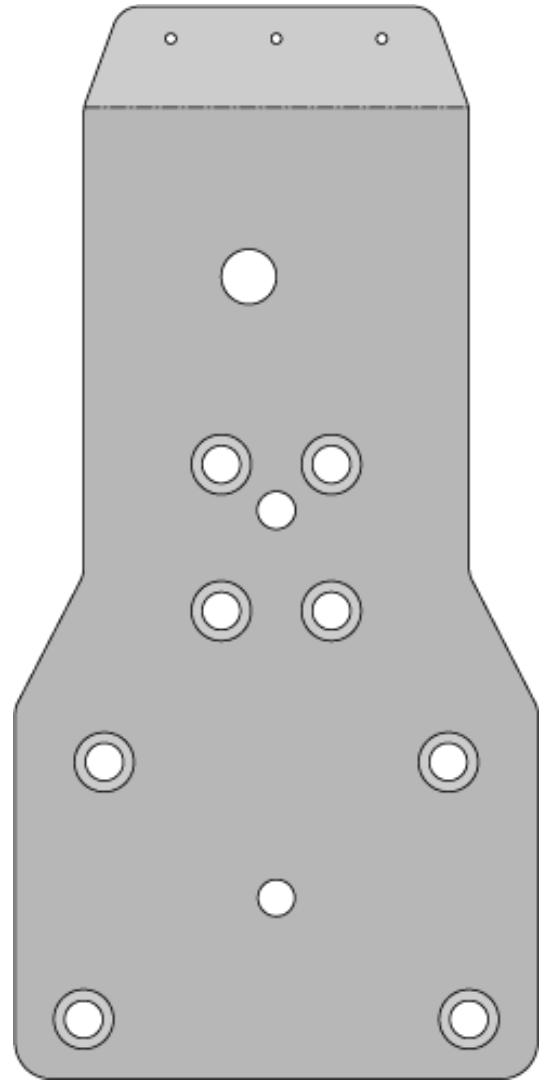
Image shown with out stock mudguards for frame representation.

⊗ = Drainage Holes, Do Not Use For Mounting

Polaris RZR Pro XP (2020+) Standalone Front Diff Skid Hardware .

#1 Front Diff Skid small bag:

-  **2x**
1/4"-20 x 1" Self Taping Bolt (#B-D:3)
-  **2x**
1/4"-20 x 1/2" Self Taping Bolt (#B-D:1)
-  **4x**
1/4"-20 x 3/4" Self Taping Bolt (#B-D:2)
-  **1x**
1/4"-20 x 3/4" Counter sunk Bolt (#B-C:9)
-  **2x**
1/4"-20 x 1 1/4" Counter sunk Bolt (#B-C:2)
-  **8x**
Counter Sunk Washers (#W-1)

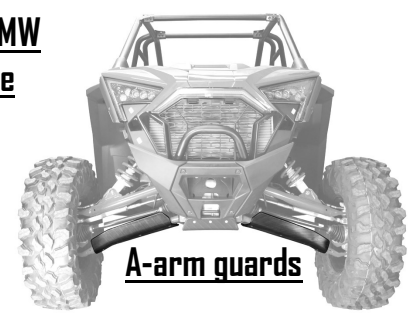
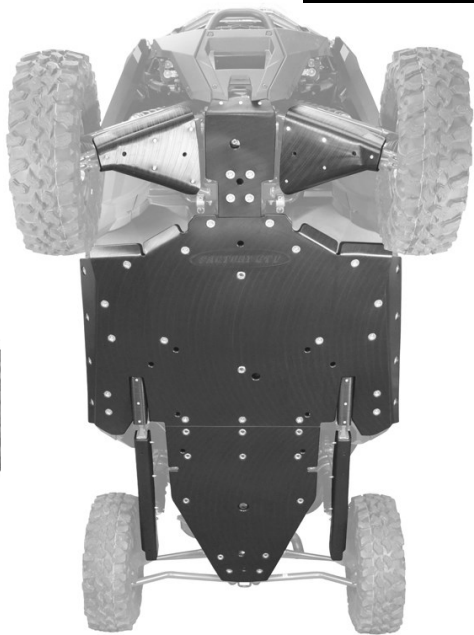


Go online to www.FactoryUTV.net and check out our other PRO XP products:

UHMW products:

Full Coverage UHMW Skid plates plate

Dual Clamp Spare Tire Mount



A-arm guards



Trailing-arm guards