

Contact Us: *FACTORY UTV LLC*

9237 Beatty Drive Sacramento, CA 95826

Phone : (916) 383-2730

E-mail : info@factoryutv.net

Go online: www.Factoryutv.net



Intrusion Bar - harness Bar - Dual Clamp Spare Tire

Ultra. High. Molecular. Weight. polyethylene all terrain skid plate / under armor kit for UTV's

Installation Guide (Metal Products)

Kawasaki

***Teryx KRX 1000* (2020+)**





Kawasaki Teryx KRX 1000 (2020+)

Metal Products Instruction guide:

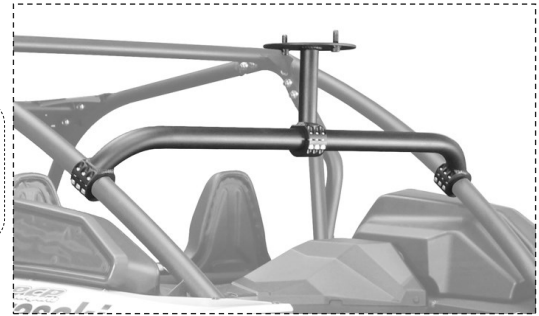
Intrusion bars



Intrusion bars

Unfasten all Allen Clamp Bolts,
loosely fasten one side at a time.
Then fasten Center Location.
Ensure all bolts are secure
when Finished

Dual Clamp Spare Tire Mounts



Torque spec's :

1/4" - 28 Allen head cap screws (13 - 16) FT-lb
Socket head "studs": (18 - 20) FT-lb



Dual Clamp Spare Tire Mounts

Unfasten all Allen Clamp Bolts,
Place on Roll cage down tubes,
slide up and down along down tubes
until you find a snug fit.
Center Post , angle as desired.
Ensure all bolts are secure
when Finished

*(Contact us if you upgrade to an aftermarket
wheel at a later time for a new tire post)

Harness Bar



Harness bar

Un fasten cage bolts, Install harness bar.
Ensure all bolts are secure when Finished
Please see DEM Harness instructions to
ensure they are attached correctly.
*(will work with DEM audio options)

